



Advanced Test Equipment Corp.

www.atecorp.com 800-404-ATEC (2832)



THE INNOVATOR IN  
**SOUND & VIBRATION**

+1.616.669.3028  
VibrationResearch.com  
vrsales@VibrationResearch.com

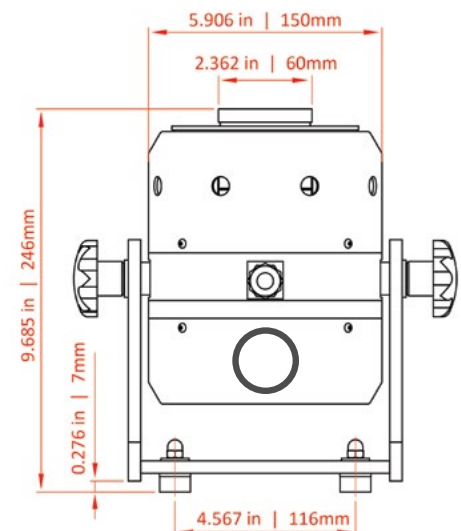
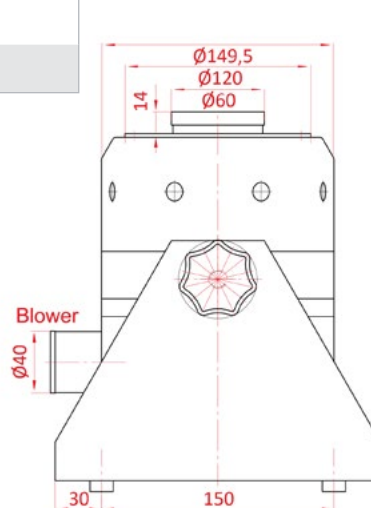
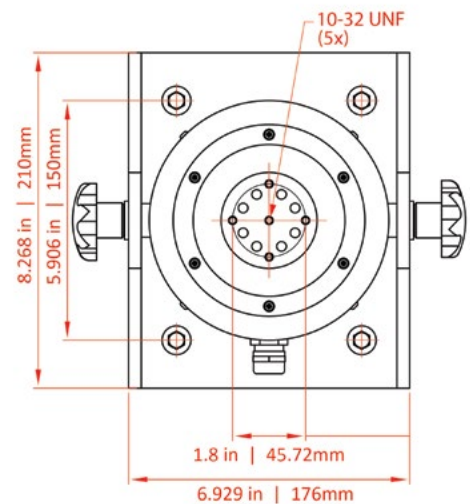
# VR4044 Electrodynamic Shaker

The VR4044 is a permanent magnet shaker that features a direct coupled cooling blower to maximize the force available in a small package. The larger armature supports general vibration testing of components and subassemblies. High lateral and axial stiffness reduce problems associated with off-center loads. Unsupported horizontal operation is possible on many loads. A rare-earth magnet reduces the overall shaker weight for portable applications. The robust design of this shaker ensures a long service life, important when running extended duration testing.



## VR4044 SYSTEM SPECIFICATIONS

SINE FORCE	44F-lb pk
RANDOM FORCE	31F-lb RMS
SHOCK FORCE	60F-lb pk
FREQUENCY RANGE	DC to 7,000Hz
MAX ACCELERATION (bare table)	89g pk Sine 62g pk Random
MAX VELOCITY	59ips
MAX DISPLACEMENT	0.51" pk-pk
POWER REQUIREMENTS	500VA @ 120V, 1Ø, 50/60Hz <small>*Request low line voltage operation details</small>
COOLING	Cooling blower
ARMATURE WEIGHT	0.51 lbs
SUSPENSION STIFFNESS	45.7F-lb/in
DIMENSIONS	9.68"H x 9.69"W x 8.27"D
SHAKER WEIGHT	26.46lbs
FUNDAMENTAL RESONANCE	>6,500Hz (current)

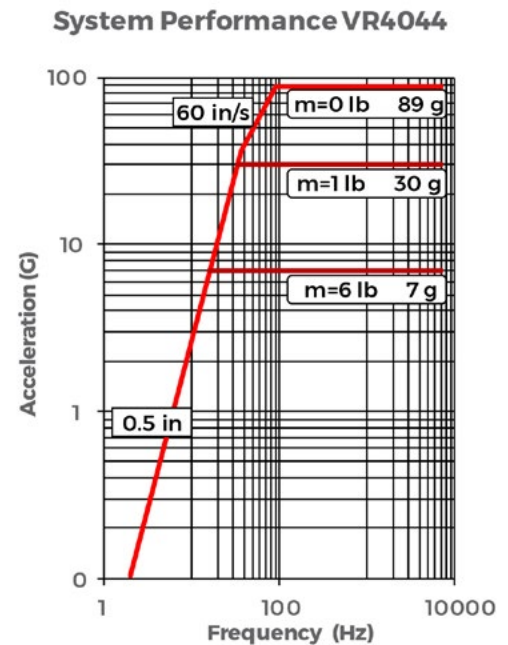


# POWER AMPLIFIER

The system features a high quality, air cooled, direct coupled linear power amplifier. This amplifier is designed specifically for use with small, permanent magnet vibration systems. This amplifier has been designed to directly drive low impedance loads. It can be used in any application requiring continuous duty, high quality power. The amplifier features protection from both an adjustable current limit and over temperature limit. A quick connect power port connects to the shaker. The amplifier has full interlock capabilities. A simple button inverts the output phase. A LCD display monitors peak voltage and RMS current. This amplifier is configured as either a wide bank, highly damped voltage source, or as a high impedance current source. DC and AC coupled inputs are included. The amplifier is designed for standard 19" rack mounted installation and requires 120V, 220V or 240V 48-60Hz power.



AMPLIFIER PARAMETERS	
Output voltage	45V RMS
Output current	11.2A RMS
Max. continuous dissipation	500VA RMS
Max voltage gain	<5V RMS
Cooling	Fan, automatic
Input impedance	>10,000ohms
Meters	Volts pk: 3-digit meter Amps rms: 3-digit meter
Interlock circuit	Overload, Temperature, Clipping
Dimensions	3.5"H x 19"W x 17.7"D
Weight	55.1 lbs



## OPTIONS

- Accelerometers
- Modal stinger and mounts
- Rack cabinet
- Vibration controllers
- Vibration isolation mounts

THE INNOVATOR IN  
**SOUND & VIBRATION TECHNOLOGY**

+1.616.669.3028  
[VibrationResearch.com](http://VibrationResearch.com)  
[vrsales@VibrationResearch.com](mailto:vrsales@VibrationResearch.com)

