



Hipot Tester Models H111 & H216 Programmable Digital Electrical Safety Testers

Features

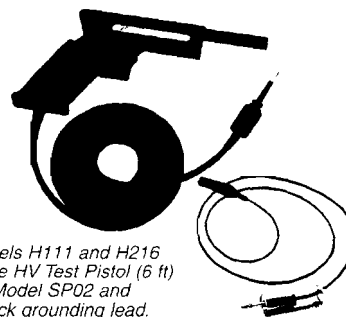
- AC Hipot programmable to 5kV @ 40mA
- DC Hipot programmable to 6kV @ 10mA (Model H216)
- Continuity measurement @ 100mA
- Insulation resistance to 9900MΩ @ 500Vdc and 1000Vdc and to 1990MΩ @ 50V/100V
- ARC current detection with programmable limits
- Programmable ramp, test and wait times, output voltages and trip limits
- Selectable AC test frequency (50Hz or 60Hz)
- Set trip current without loads or high voltage present
- Automatic testing — store up to 10 tests (up to 16 steps per test)
- Line and load regulation for linear output voltage
- Highly visible warning light indicator for HV output
- Pass and fail lights with adjustable buzzer
- Program lock-out feature to prevent user error or program changes
- PLC remote control (9 pin connector); Serial communication port (9 pins)



Model H216

SPECIFICATIONS		
MODELS	H111	H216
AC HIPOT		
Voltage Range	100V to 5000Vac (5kV)	
Voltage Step Resolution	5V	
Voltage Regulation	±1% of Reading ± 5V	
Accuracy	±1% of Reading ± 10V (>500V)	
Test Frequency	50Hz or 60Hz (selectable)	
Current	0.10mA to 40mA in 0.02mA steps	
Max Current Output	40mA @ 5kV	
Accuracy	±1% of Reading ± 50V/A	
Ramp and Test Time	0.000s to 999.9s	
DC HIPOT		
Voltage Range	—	100V to 6000Vdc (6kV)
Voltage Step Resolution	—	5V
Voltage Regulation	—	±1% of Reading ± 5V
Accuracy	—	±1% of Reading ± 10V (>500V)
Trip Current	—	0.10mA to 10mA in 0.01mA steps
Max Current Output	10mA @ 6kVdc	
Accuracy	±1% of Reading ± 50μA	
Ramp and Test Time	0.000s to 999.9s	

MODELS	H111	H216
INSULATION RESISTANCE (IR)		
DC Test Voltage	—	50 and 100V; 500V and 1000V
Measurement Range	—	1 to 1990MΩ 1 to 9900MΩ
Accuracy	—	±5% of Reading ±10% of Reading
Test Time	—	0.000s to 999.9s
CONTINUITY CHECK		
Resistance Range	0.001Ω to 1.500Ω	
Test Current	100mA (0.1A)	
Detect Accuracy	0.1Ω @ 1Ω	
Test Time	0.000s to 999.9s	
ARC DETECTION		
Detect Current	Selectable in 1mA steps from 2 to 40mA	



Models H111 and H216 include HV Test Pistol (6 ft) Model SPO2 and black grounding lead.



Optional HV Test Lead 9 ft (3m) (unterminated without test pistol) Catalog #2117.89

CATALOG NO.	DESCRIPTION	
2129.60	Hipot Tester Model H111 (5kVac)	\$1,495.00
2129.63	Hipot Tester Model H216 (5kVac/6kVdc and IR)	\$2,095.00
Accessories (Optional)		
2117.89	HV Test Lead 9 ft (unterminated, 3m)	\$ 49.00