

Agilent Electronic Calibration (ECal) Modules for Vector Network Analyzers

N4690 Series, 2-port Microwave ECal

85090 Series, 2-port RF ECal

N4430 Series, 4-port ECal

Technical Overview



Control ECal directly from the PNA or ENA

- 300 kHz to 26.5 GHz module
- 10 MHz to 67 GHz module
- Nine connector types available
- Ideal calibration technique for manufacturing
- Mixed-connectors available (Type-N 50 ohm, 3.5 mm and 7-16)



Agilent Technologies

Introduction

Electronic calibration (ECal) is a precision, single-connection, one-, two-, three-, or four-port calibration technique for your vector network analyzer. ECal modules use fully traceable and verifiable electronic impedance standards. The modules are state-of-the-art, solid-state devices with programmable and highly repeatable impedance states. ECal modules are transfer standards that provide consistent calibrations and eliminate operator errors while bringing convenience and simplicity to your calibration routine. Consistent calibrations provide consistent measurements.

ECal replaces the traditional calibration technique, which uses mechanical standards. With mechanical standards you are required to make numerous connections to the test ports for a single calibration. These traditional calibrations require intensive operator interaction, which is prone to error. With ECal, a full one- to four-port calibration can be accomplished with a single connection to the ECal module and minimal operator interaction. This results in faster and more repeatable calibrations.

Mixed-connector options are available for the 85092C, 85093C, 85098C, N4431B and N4432A. The available connectors are Type-N 50 ohms, 3.5mm, and 7-16.

Accurate transfer standards

The ECal modules are transfer standards capable of transferring the factory calibration accuracy to your network analyzer. They are characterized by Agilent using a precision calibration technique (similar in accuracy to TRL) that is traceable to the National Institute of Standards and Technology (NIST). Each calibration module's unique S-parameter data is stored in the module's memory. During calibration, ECal uses this data to calculate the error terms for your network analyzer. All measurements on either insertable or non-insertable devices are traceable to NIST.

Faster calibration with a single connection

Unlike the traditional mechanical technique, ECal only requires one connection to perform a full one- to four-port calibration from the calibration module to the test ports.

By reducing the number of connections required for a calibration, you can

- calibrate faster, so you save time and make measurements sooner
- reduce the chance of operator error, for greater confidence in your calibrations
- reduce the wear on connectors, for lower repair costs on both the test port connectors and calibration standards

Network analyzer compatibility

The 85090 family of RF ECal modules provides calibration across the frequency range of the ENA and 8753 series of network analyzers. The N4690 family of microwave ECal modules provides calibrations through 67 GHz for PNA-L and PNA network analyzers. The N4430 family of four-port modules provide calibration for the ENA, PNA, and 4-port PNA-L, and any multipoint solutions.

Suggested ECal and network analyzer/firmware compatibility¹

Agilent VNA model number	ECal module model number	85097B Required
8753E/ES/ET ³	85090 Series	Y
8719D/ES/ET ^{3,4}	N4690 Series	Y
8720D/ES/ET ^{3,4}	N4690 Series	Y
8722D/ES/ET ^{3,4}	N4690 Series	Y
ENA Series ⁵	N4430 Series, 85090 Series, N4690 Series ²	N
ENA-L Series ⁶	N4430 Series, 85090 Series	N
PNA Series ⁷	N4430 Series, N4690 Series	N
PNA-L Series ⁸	N4430 Series, N4690 Series	N

1. For complete compatibility refer to the ECal Reference Guide (publication N4693-90001).
2. Exception: the N4693A and N4694A are not supported on the ENA.
3. Analyzer firmware control available with firmware rev. 7.68.
4. N4690 series works with firmware revision 7.74 or higher. Please note: 8719, 8720, and 8722 have been discontinued.
5. ENA series consists of E5070/1.
6. ENA-L series consists of E5061/2.
7. The PNA Series Network Analyzers consists of E8361/2/3/4. Please note: RF PNA Series E8356/7/8, E8801/2/3 and N3381/2/3 have been discontinued.
8. PNA-L series consists of N5230.

ECal and Agilent Network Analyzer Configurations

PNA and ENA Series

ECal modules are controlled directly from the PNA and ENA Series network analyzers. No external PC is required. Simply connect the ECal module to the USB port on the network analyzer. You can control your calibration from the front panel keys of the PNA Series or automatically by your user program.



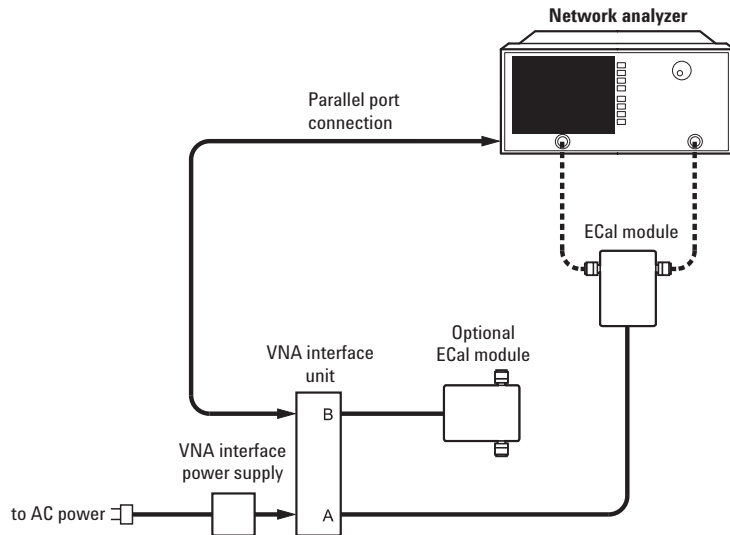
Calibration configuration using the PNA series

8719, 8720, 8722 and 8753 product families

ECal modules are controlled manually or automatically via the 85097B interface kit. The 85097B consists of an interface unit and a power supply.

The interface module is the interface between the parallel port on your VNA, the parallel port of the ECal module and the external power supply.

Firmware revisions of 7.68 or higher in the 8753 and 8720 families allow for VNA control of ECal modules. The 85097B interface module, with the analyzer's internal firmware control, provides digital control and supplies power to one or two ECal modules. Calibration control is available via the front panel keys or from a user program. Firmware revision 7.74 and adapter cable (8121-1047) are required for the N4690 Series. The adapter cable can be ordered as an option with the 85097B.



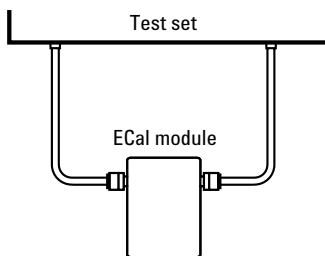
Calibration configuration using the 85097B VNA interface kit

Simple Non-insertable Calibrations

Most common RF and microwave components have non-insertable connectors; for example, devices with female connectors on both ports. These devices require an adapter removal calibration, which adds an uncertainty factor to the measurement. Most modern vector network analyzers use an adapter removal technique, which compensates for adapter-caused errors.

The simplest and fastest non-insertable calibration method uses an ECal module with connectors that match your device, and the same calibration method as insertable devices. Simply order your ECal module with connectors that match your device under test:

- Option 00M, male connectors on both ports
- Option 00F, female connectors on both ports.
- Option M0F with one male and one female connector.



Perform adapter removal calibrations faster

Some analyzers, such as later versions of the 8753 and 8720, offer adapter removal calibration for non-insertable and mixed connector measurement capability. Since this method requires two full two-port calibrations, it is often time consuming and prone to operator errors. Using ECal to perform the two-port calibrations addresses both of these concerns by reducing the calibration time and the number of connections, simplifying the overall adapter removal process.

Perform a User-characterization

Normally, when you perform a calibration with an ECal module, the error terms for a calibration are computed using the factory characterization (data) stored in the module. User-characterization allows you to change the characterization of the module in two ways:

- *Change the connector configuration:* allows you to add an adapter or fixture to the test port of the module and embed the effects into the characterization of the module. The result of the new characterization extends the reference plane from one or more of the module's test ports to those on the adapter (or fixture).
- *Modify the state settings:* allows you to specify the number of data points (1601 maximum) or other stimulus settings the module uses to perform a calibration.

When you perform a user-characterization, the factory characterization data remains stored in the module's memory. At calibration, you can select the factory characterization or any of the user-defined characterizations stored in the module. The module can store up to five user-defined characterizations (in addition to the factory characterization data).

User-characterization is available with PNA and ENA Series Network Analyzers.

Input Power Level

Before performing a calibration, make sure the input power and DC levels do not exceed the values indicated in the table below.

Input power limits

Parameter	ECal module series			
	8509x	N4431x	N4432A/N4433A	N469x
Typical maximum input power ^{1, 2}	+9.0 dBm	+7.0 dBm	-7.0 dBm	-5.0 dBm
Typical maximum DC level applied to test port	±20 Volts	±3 Volts	±3 Volts	±10 Volts
Typical damage level	+20.0 dBm	+20.0 dBm	+20.0 dBm	+10.0 dBm

Operating temperature

The temperature of the ECal module must be within the following temperature range to meet the operating specifications.

- 8509x Series: +20 to +30 °C
- N443xA/B Series: +20 to +30 °C
- N469xA/B Series: +20 to +26 °C

Electrical characteristic corrected performance (Residual e-terms)

2-port ECal modules

Type-F

85099C (RF)³

Frequency range	300 kHz to 10 MHz	10 MHz to 300 MHz	300 MHz to 1.3 GHz	1.3 to 3 GHz
Directivity (dB)	45	50	48	43
Source match (dB)	36	48	45	38
Reflection tracking (±dB)	0.1	0.03	0.07	0.15
Transmission tracking (±dB)	0.08	0.08	0.10	0.17
Load match (dB)	39	43	41	39

1. If the maximum input power is exceeded when calibrating, compression may occur.
2. When using the PNA-X, the power level can be increased after calibration with minimal impact on measurement accuracy.
3. When mated with male connectors with a 0.77 mm (0.030 in) to 0.86 mm (0.034 in) pin diameter

Type-N (50 ohms)

85092C (RF)¹

Frequency range	300 kHz to 10 MHz	10 MHz to 1 GHz	1 to 3 GHz	3 to 6 GHz	6 to 9 GHz
Directivity (dB)	45	52	54	52	47
Source match (dB)	36	45	44	41	36
Reflection tracking (±dB)	0.1	0.04	0.04	0.06	0.07
Transmission tracking (±dB)	0.078	0.04	0.04	0.07	0.14
Load match (dB)	39	47	47	44	39

N4690B (microwave)²

Frequency range	300 kHz to 2 MHz	2 MHz to 10 MHz	10 to 500 MHz	500 MHz to 2 GHz	2 to 10 GHz	10 to 18 GHz
Directivity (dB)	30	40	45	48	46	42
Source match (dB)	28	35	40	43	40	35
Reflection tracking (±dB)	0.12	0.07	0.05	0.03	0.03	0.05
Transmission tracking (±dB)	0.15	0.12	0.08	0.07	0.07	0.12
Load match (dB)	24	29	35	42	41	38

Type-N (75 ohms)

85096C (RF)¹

Frequency range	300 kHz to 10 MHz	10 MHz to 300 MHz	300 MHz to 1.3 GHz	1.3 to 3 GHz
Directivity (dB)	45	50	48	43
Source match (dB)	36	48	45	38
Reflection tracking (±dB)	0.1	0.03	0.06	0.10
Transmission tracking (±dB)	0.08	0.08	0.09	0.16
Load match (dB)	39	43	41	39

3.5 mm³

85093C (RF)¹

Frequency range	300 kHz to 10 MHz	10 MHz to 1 GHz	1 to 3 GHz	3 to 6 GHz	6 to 9 GHz
Directivity (dB)	45	52	52	50.5	47
Source match (dB)	36	44	44	39	34
Reflection tracking (±dB)	0.1	0.03	0.04	0.05	0.07
Transmission tracking (±dB)	0.078	0.04	0.06	0.07	0.12
Load match (dB)	39	47	47	44	40

N4691B (microwave)²

Frequency range	300 kHz to 2 MHz	2 to 10 MHz	10 to 500 MHz	500 MHz to 2 GHz	2 to 10 GHz	10 to 20 GHz	20 to 26.5 GHz
Directivity (dB)	31	41	46	56	54	48	44
Source match (dB)	29	36	41	47	45	44	40
Reflection tracking (±dB)	0.11	0.06	0.05	0.02	0.03	0.04	0.05
Transmission tracking (±dB)	0.14	0.11	0.07	0.05	0.07	0.1	0.12
Load match (dB)	26	31	37	45	49	45	40

1. When applied power exceeds +9 dBm, calibration results will be degraded from the performance indicated in the table.
2. When applied power exceeds -5 dBm, calibration results will be degraded from the performance indicated in the table.
3. 3.5 mm modules have precision slotless connectors that guarantee the best calibration accuracy is transferred to your system.

7 mm

85091C (RF)¹

Frequency range	300 kHz to 10 MHz	10 MHz to 1 GHz	1 to 3 GHz	3 to 6 GHz	6 to 9 GHz
Directivity (dB)	45	52	56	55	45
Source match (dB)	36	45	44	41	34
Reflection tracking (\pm dB)	0.1	0.04	0.04	0.07	0.10
Transmission tracking (\pm dB)	0.078	0.06	0.06	0.13	0.23
Load match (dB)	39	47	47	46	39

N4696B (microwave)²

Frequency range (GHz)	300 kHz to 2 MHz	2 to 10 MHz	10 to 500 MHz	500 MHz to 2 GHz	2 to 10 GHz	10 to 18 GHz
Directivity (dB)	30	40	46	45	50	42
Source match (dB)	28	35	40	40	42	36
Reflection tracking (\pm dB)	0.12	0.07	0.05	0.03	0.03	0.05
Transmission tracking (\pm dB)	0.14	0.11	0.07	0.04	0.07	0.1
Load match (dB)	25	30	36	40	45	39

7-16

85098C (RF)¹

Frequency range	300 kHz to 10 MHz	10 MHz to 1 GHz	1 to 3 GHz	3 to 6 GHz	6 to 7.5 GHz
Directivity (dB)	45	47	50	46	45
Source match (dB)	36	43	43	38	37
Reflection tracking (\pm dB)	0.1	0.03	0.03	0.05	0.06
Transmission tracking (\pm dB)	0.078	0.05	0.06	0.08	0.10
Load match (dB)	39	42	43	41	38

2.92 mm

N4692A (microwave)²

Frequency range (GHz)	10 to 45 MHz, typical	45 MHz to 2 GHz	2 to 20 MHz	20 to 30 GHz	30 to 40 GHz
Directivity (dB)	35	45	43	39	38
Source match (dB)	30	36	35	30	29
Reflection tracking (\pm dB)	0.10	0.08	0.08	0.10	0.10
Transmission tracking (\pm dB)	0.10	0.14	0.14	0.20	0.25
Load match (dB)	27	36	37	33	33

2.4 mm

N4693A (microwave)²

Frequency range (GHz)	10 to 45 MHz, typical	45 MHz to 2 GHz	2 to 10 MHz	10 to 20 GHz	20 to 40 GHz	40 to 50 GHz
Directivity (dB)	32	55	49	45	43	41
Source match (dB)	25	46	42	37	35	30
Reflection tracking (\pm dB)	0.05	0.03	0.04	0.05	0.06	0.08
Transmission tracking (\pm dB)	0.10	0.06	0.08	0.11	0.13	0.17
Load match (dB)	24	45	42	40	38	36

1. When applied power exceeds +9 dBm, calibration results will be degraded from the performance indicated in the table.
2. When applied power exceeds -5 dBm, calibration results will be degraded from the performance indicated in the table.

1.85 mm

N4694A (microwave)¹

Frequency range (GHz)	10 to 45 MHz	45 MHz to 2 GHz	2 to 20 GHz	20 to 30 GHz	30 to 40 GHz	40 to 50 GHz	50 to 60 GHz	60 to 67 GHz
Directivity (dB)	33	50	50	46	44	42	41	38
Source match (dB)	25	38	39	35	34	33	30	27
Reflection tracking (±dB)	0.05	0.04	0.04	0.05	0.06	0.07	0.08	0.09
Transmission tracking (±dB)	0.15	0.07	0.1	0.11	0.13	0.15	0.19	0.25
Load match (dB)	25	41	44	42	40	38	36	32

4-port modules

Type-N (50 ohms)

N4431B (RF), Option 020²

Frequency range	9 kHz ³ to 10 MHz	10 MHz to 1 GHz	1 to 3 GHz	3 to 6 GHz	6 to 8 GHz	8 to 9 GHz	9 to 13.5 GHz ⁴
Thru paths AB, CD, AD, BC							
Directivity (dB)	45	55	52	47	44	42	40
Source match (dB)	36	47	43	42	40	39	31
Reflection tracking (±dB)	0.10	0.03	0.04	0.04	0.05	0.06	0.11
Transmission tracking (±dB)	0.078	0.07	0.10	0.14	0.20	0.22	0.35
Load match (dB)	39	47	45	40	38	35	26
Thru paths AC, BD							
Directivity (dB)	45	55	52	47	44	42	40
Source match (dB)	36	47	43	42	40	39	31
Reflection tracking (±dB)	0.10	0.03	0.04	0.04	0.05	0.06	0.11
Transmission tracking (±dB)	0.078	0.07	0.09	0.13	0.15	0.16	0.32
Load match (dB)	39	47	45	40	38	36	28

3.5 mm

N4431B (RF), Option 010²

Frequency range	9 kHz ³ to 10 MHz	10 MHz to 1 GHz	1 to 3 GHz	3 to 6 GHz	6 to 8 GHz	8 to 9 GHz	9 to 13.5 GHz ⁴
Thru paths AB, CD, AD, BC							
Directivity (dB)	45	57	55	52	50	47	40
Source match (dB)	36	50	47	45	44	43	32
Reflection tracking (±dB)	0.10	0.03	0.03	0.04	0.04	0.05	0.1
Transmission tracking (±dB)	0.078	0.06	0.09	0.12	0.14	0.20	0.33
Load match (dB)	39	47	46	45	44	42	28
Thru paths AC, BD							
Directivity (dB)	45	57	55	52	50	47	40
Source match (dB)	36	50	47	45	44	43	32
Reflection tracking (±dB)	0.10	0.03	0.03	0.04	0.04	0.05	0.1
Transmission tracking (±dB)	0.078	0.06	0.08	0.10	0.12	0.14	0.3
Load match (dB)	39	47	46	45	45	43	29

1. When applied power exceeds -5 dBm, calibration results will be degraded from the performance indicated in the table.
2. When applied power exceeds +7 dBm, calibration results will be degraded from the performance indicated in this table.
3. Performance from 9 kHz to 300 kHz is valid only for the E5071C ENA network analyzer with firmware version A.09.10 or higher.
4. 9 to 13.5 GHz range not valid for the N4431A

Type-N (50 ohms) N4432A

The characteristic performance in the following table applies to N4432A Option 020 (3.5 mm female connectors on all ports).

Characteristic performance for N4432A Option 020¹

Frequency range	300 kHz to 10 MHz	10 MHz to 5 GHz	5 to 9 GHz	9 to 13.5 GHz	13.5 to 18 GHz
Parameter					
Directivity (dB)	45	52	47	41	42
Source match (dB)	35	41	37	34	34
Reflection tracking (\pm dB)	0.1	0.06	0.1	0.15	0.14
Transmission tracking (\pm dB) ²	0.082	0.046	0.062	0.089	0.084
Load match (dB) ²	39	45	40	36	37

3.5 mm N4433A

The characteristic performance in the following table applies to N4433A Option 010 (3.5 mm female connectors on all ports).

Characteristic performance for N4433A Option 010¹

Frequency range	300 kHz to 10 MHz	10 MHz to 5 GHz	5 to 9 GHz	9 to 13.5 GHz	13.5 to 20 GHz
Parameter					
Directivity (dB)	45	52	47	45	45
Source match (dB)	36	42	39	37	31
Reflection tracking (\pm dB)	0.1	0.06	0.09	0.10	0.18
Transmission tracking (\pm dB) ²	0.078	0.045	0.057	0.069	0.160
Load match (dB) ²	39	45	41	39	35

1. When applied power exceeds -7 dBm, calibration results will be degraded from the performance indicated in this table.
2. Values based on using the PNA Network Analyzer N5230A Option 240 or 245

Ordering information ECal modules and available options

Select an ECal module based on the connector type required and the frequency range of your vector network analyzer (refer to table below).

Notes:

1. Order the 85097B interface module if you will be using ECal with your 8719, 8720, 8722 or 8753. (Please reference the ECal and network analyzer/firmware compatibility table on page 3.) The 85097B consists of an interface module and a power supply.
2. When using the N469x ECal products with the 8720 or 8753 network analyzer families, an adapter cable (8121-1047) is needed. This adapter cable is orderable as an option with the 85097B.

2-port

Connector Type	Frequency range	ECal module model number	Available options
Type-F	300 kHz to 3 GHz	85099C	00A, 00F, 00M, UK6, M0F
Type-N 50 ohms	300 kHz to 9 GHz	85092C	00A, 00F, 00M, UK6, 1A7, A6J, M0F, mixed-connectors
Type-N 50 ohms	300 kHz to 18 GHz	N4690B	00A, 00F, 00M, UK6, 1A7, A6J, M0F
Type-N 75 ohms	300 kHz to 3 GHz	85096C	00A, 00F, 00M, UK6, M0F
3.5 mm	300 kHz to 9 GHz	85093C	00A, 00F, 00M, UK6, 1A7, A6J, M0F mixed connectors
3.5 mm	300 kHz to 26.5 GHz	N4691B	00A, 00F, 00M, UK6, 1A7, A6J, M0F
7 mm	300 kHz to 9 GHz	85091C	UK6, 1A7, A6J
7 mm	300 kHz to 18 GHz	N4696B	UK6, 1A7, A6J
7-16	300 kHz to 7.5 GHz	85098C	00A, 00F, 00M, UK6, M0F, mixed-connectors
2.92 mm	10 MHz to 40 GHz	N4692A	00A, 00F, 00M, UK6, 1A7, A6J, M0F
2.4 mm	10 MHz to 50 GHz	N4693A	00A, 00F, 00M, UK6, 1A7, A6J, M0F
1.85 mm	10 MHz to 67 GHz	N4694A	00A, 00F, 00M, UK6, 1A7, A6J, M0F

4-port

Connector Type	Frequency range	ECal module model number	Available options
3.5 mm or Type-N 50 ohms	9 kHz to 13.5 GHz ¹	N4431B	010, 020, UK6, 1A7, A6J, mixed-connectors
Type-N 50 ohms	300 kHz to 18 GHz	N4432A	020, mixed-connectors
3.5 mm	300 kHz to 20 GHz	N4433A	010

Options

Option	Description
00F	Replace f-m connectors on ECal module(s) with f-f connectors
00M	Replace f-m connectors on ECal module(s) with m-m connectors
00A	Adds male-to-male and female-to-female adapters (also adds a 5/16" 90 N-cm (8 in-lb) torque wrench to 3.5 mm modules)
1A7	ISO 17025 compliant calibration
A6J	ANSI Z540 compliant calibration
UK6	Commercial calibration certificate with measured data
M0F	f-m connectors on ECal module(s)
010	Four female, 3.5 mm connectors
020	Four female, Type-N 50 ohm connectors

1. Performance from 9 kHz to 300 KHz is valid only for the E5071C ENA network analyzer with firmware version A.09.10 or higher.

Mixed-connector options

2-port (85092C/3C/8C ECal modules only)

Model number	Port A option			Port B option					
	Type	(f)	(m)	Type	(f)	(m)	Type	(f)	(m)
85092C	Type-N 50 ohm	103	104	3.5 mm	201	202	7-16 ¹	205	206
85093C	3.5 mm	101	102	Type-N 50 ohm	203	204	7-16 ¹	205	206
85098C	7-16 ¹	105	106	3.5 mm	201	202	Type-N 50 ohm	203	204

4-port (N4431B ECal module only)

Connector type	Port A option	Port B option	Port C option	Port D option
3.5 mm (f)	101	201	301	401
3.5 mm (m)	102	202	302	402
Type-N 50 ohm (f)	103	203	303	403
Type-N 50 ohm (m)	104	204	304	404
7-16 (f) ¹	105	205	305	405
7-16 (m) ¹	106	206	306	406

4-port (N4432A ECal module only)

Connector type	Port A option	Port B option	Port C option	Port D option
3.5 mm (f)	101	201	301	401
3.5 mm (m)	102	202	302	402
Type-N 50 ohm (f)	103	203	303	403
Type-N 50 ohm (m)	104	204	304	404

1. Limits ECal module high frequency to 7.5 GHz.

Web Resources

Visit our Web sites, for additional product information and literature.

Electronic calibration (ECal):
www.agilent.com/find/ecalPNA

Series network analyzers:
www.agilent.com/find/pna

Test and measurement accessories:
www.agilent.com/find/accessories



Agilent Email Updates

www.agilent.com/find/emailupdates
Get the latest information on the products and applications you select.



Agilent Direct

www.agilent.com/find/agilentdirect
Quickly choose and use your test equipment solutions with confidence.



www.agilent.com/find/open
Agilent Open simplifies the process of connecting and programming test systems to help engineers design, validate and manufacture electronic products. Agilent offers open connectivity for a broad range of system-ready instruments, open industry software, PC-standard I/O and global support, which are combined to more easily integrate test system development.

Windows® and Windows NT® are U.S. registered trademarks of Microsoft Corp.

Remove all doubt

Our repair and calibration services will get your equipment back to you, performing like new, when promised. You will get full value out of your Agilent equipment throughout its lifetime. Your equipment will be serviced by Agilent-trained technicians using the latest factory calibration procedures, automated repair diagnostics and genuine parts. You will always have the utmost confidence in your measurements. For information regarding self maintenance of this product, please contact your Agilent office.

Agilent offers a wide range of additional expert test and measurement services for your equipment, including initial start-up assistance, onsite education and training, as well as design, system integration, and project management.

For more information on repair and calibration services, go to:

www.agilent.com/find/removealldoubt

Product specifications and descriptions in this document subject to change without notice.

www.agilent.com

For more information on Agilent Technologies' products, applications or services, please contact your local Agilent office. The complete list is available at:

www.agilent.com/find/contactus

Americas

Canada	(877) 894-4414
Latin America	305 269 7500
United States	(800) 829-4444

Asia Pacific

Australia	1 800 629 485
China	800 810 0189
Hong Kong	800 938 693
India	1 800 112 929
Japan	0120 (421) 345
Korea	080 769 0800
Malaysia	1 800 888 848
Singapore	1 800 375 8100
Taiwan	0800 047 866
Thailand	1 800 226 008

Europe & Middle East

Austria	01 36027 71571
Belgium	32 (0) 2 404 93 40
Denmark	45 70 13 15 15
Finland	358 (0) 10 855 2100
France	0825 010 700*
	*0.125 €/minute
Germany	07031 464 6333
Ireland	1890 924 204
Israel	972-3-9288-504/544
Italy	39 02 92 60 8484
Netherlands	31 (0) 20 547 2111
Spain	34 (91) 631 3300
Sweden	0200-88 22 55
Switzerland	0800 80 53 53
United Kingdom	44 (0) 118 9276201

Other European Countries:

www.agilent.com/find/contactus

Revised: October 6, 2008

© Agilent Technologies, Inc. 2002-2009
Printed in USA, February 3, 2009
5963-3743E



Agilent Technologies