



T E C H N I C A L D A T A S H E E T

LS20 BATCH LIQUID SAMPLING



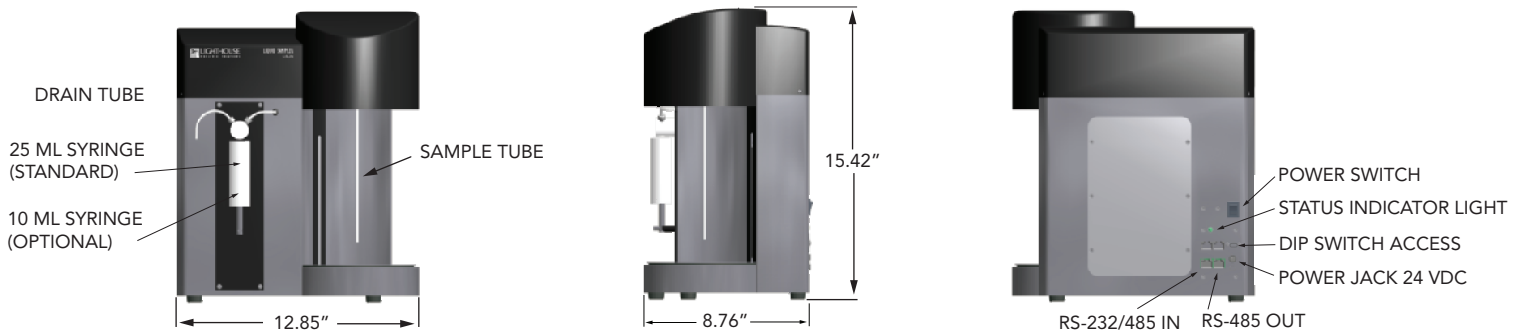
THE LS-20 Liquid Sampler has an integrated syringe sampler and optical particle counting system. It's easy-to-use Windows™ based software interface is designed to meet the international regulatory EP and JP, as well as USP 788 requirements.

The LS-20 uses a high accuracy syringe pump flow control system and a high sample volume sensor. With sample volumes adjustable from 1 to 1000 milli Liters (10mL syringe), it is a perfect tool for multiple batch sampling applications.

The graphical user interface makes the LS-20 easy to configure and operate. Data automatically records up to 8 particle size channels from 1.0 to 50.0 microns and is available in real time graph and tabular form.

F E A T U R E S

- 1.0 μm to 50 μm size range
- Integrated "light obscuration" particle counter
- Software designed for 21 CFR Part 11 compliance
- International regulatory EP and JP reports
- USP 788 reports
- Sample volumes 1 to 1000 milli Liters
- Preconfigured USP 788 recipes
- Precise syringe pump flow control
- Stainless steel enclosure
- Built-in magnetic stirrer
- Compact footprint
- 2 year warranty



TECHNICAL DATASHEET

LS-20 Batch Liquid Sampling Particle Counter

Features

Size Range	1.0 - 50.0 μm
Channel Sizes	1.0, 2.0, 3.0, 5.0, 10.0, 15.0, 25.0, 50.0 μm
Flow Rate	20 ml/minute
Laser Source	Laser diode
Calibration	NIST traceable
Syringe Sizes	10 mL, 25 mL
Maximum Sample	1 liter
Communication Modes	RS-232
Wetted Components	Teflon (PFA), Quartz, Kalrez, Kel F, Polypropylene
Stirrer	Magnetic with adjustable speed
Connectors	RJ-45
Supporting Software	LS-20 software
Enclosure	Stainless steel
Power	100-240 VAC, 24 VDC to LS-20
Dimensions	12.875" (l) x 8.75" (w) x 14.75" (h) [32.7 x 22.2 x 37.5]
Weight	20.5 lbs (9.3 kg)

Environmental Conditions:

Operating: 50°F to 104°F (10°C to 40°C) / 20% to 95% non-condensing

Storage: 14°F to 122°F (-10°C to 50°C) / up to 98% non-condensing

Included

Operating manual on CD; LS-20 software; power supply; flow cell cleaning solution and brush; cable; RJ-45 to DB9 adapter; sample tubing; nut and ferrule kit; 500 mL beaker; magnetic stir bar

Optional

Printed operating manual; 10mL syringe; 5-piece beaker set (50, 100, 250, 600, 1000 ml beakers); carrying case with wheels; certificate of origin

Distributed By:



Lighthouse Worldwide Solutions reserves the right to change specifications without notice.

www.golighthouse.com
info@golighthouse.com

1-800 945 5905 (Tollfree)
 1-541 770 5905 (Outside of USA)

