



GT-200 SERIES

High Power Traveling Wave Tube Amplifiers

100-500 Watts Pulsed/CW
1.0-18.0 GHz, 0-100% Duty Cycle



Features Include:

- **Digital Display Monitors:** Collector Current, Collector Voltage, Helix Current, Helix Voltage, Forward RF Power, Reflected RF Power, Filament Hours, Beam Hours,
- **Status Indicators:** Power On, Standby, RF On/Operate,
- **Faults:** Helix Overcurrent, VSWR Overload, Thermal Overloads, Air Flow, Collector Overcurrent
- **Controls:** Power On/Off, Standby, RF On/Operate, Fault Reset, Local/Remote
- Ease of Maintenance
- Designed to meet the safety requirements of the IEC-348 and Underwriters Laboratory of American Standards
- Broadband Coverage
- Applications Include: MIL-STD-461/462, RTCA/D0-160, SAE Specifications, Radiated Susceptibility, Bellcore testing, Broadband Communications.
- Ruggedized Versions are available for Shipboard and Airborne applications

Models And Specifications

Model Number	Frequency Range (GHz)	Min Pwr Out* (Watts)	Min Sat Gain* (dB)	Max NF (dB)
GT21-200	1-2	200	53	35
GT21-250	1-2	250	54	35
GT251-500	1-2.5	500	57	35
GT281-200	1-2.8	200	53	35
GT281-250	1-2.8	250	54	35
GT42-200	2-4	200	53	35
GT42-250	2-4	250	54	35
GT7525-500	2.5-7.5	500	57	35
GT84-200	4-8	200	53	35
GT84-250	4-8	250	54	35
GT84-500	4-7.5	500	57	35
	7.5-8	450	57	35
GT825-200	2.5-8	200	53	35
GT128-200	8-12	200	53	35
GT188-200	7.5-18	200	53	35
GT188-250	7.5-18	250	54	35
GT188-300	7.5-18	300	55	35
GT188-500	7.5-18	500	57	35
GT1812-200	12-18	200	53	35
GT186-200	6-18	200	53	35
GT186-250	6-18	250	54	35
GT186-300	6-18	300	55	35

*Higher output power and gains available

INSTRUMENTS FOR INDUSTRY INC.

903 South Second Street, Ronkonkoma, NY 11779

Tel: 631-467-8400 • Fax: 631-467-8558 • E mail: sales@ifi.com

www.ifi.com

GT-200 SERIES

High Power Traveling Wave Tube Amplifiers

100-500 Watts Pulsed/CW
1.0-18.0 GHz, 0-100% Duty Cycle

Prime Power:

100/115/220/230 or 240VAC $\pm 10\%$ 50/60 Hz, single phase
115/208 or 200/220/230/240VAC $\pm 10\%$ 50/60 Hz,
three phase Wye, Delta and/or 400 Hz power is available

Mechanical

Dimensions: 14"H x 19"W x 27"D
(Rack Mountable) (356mm x 483mm x 686mm)
Weight: 170 pounds typical (77kg)
Cooling: Internal forced air

Remote Operation

GPIO, RS422, RS485, RS232, or TTL Remote Control

Environmental

Operating Temperature: 0 - 50°C (40°C @ 10,000 Feet)
Relative Humidity: 95% (non-condensing)
Operating Altitude: 10,000 feet maximum
Non-operating Temp.: -20 to 70°C
Non-operating Altitude: 50,000 feet maximum

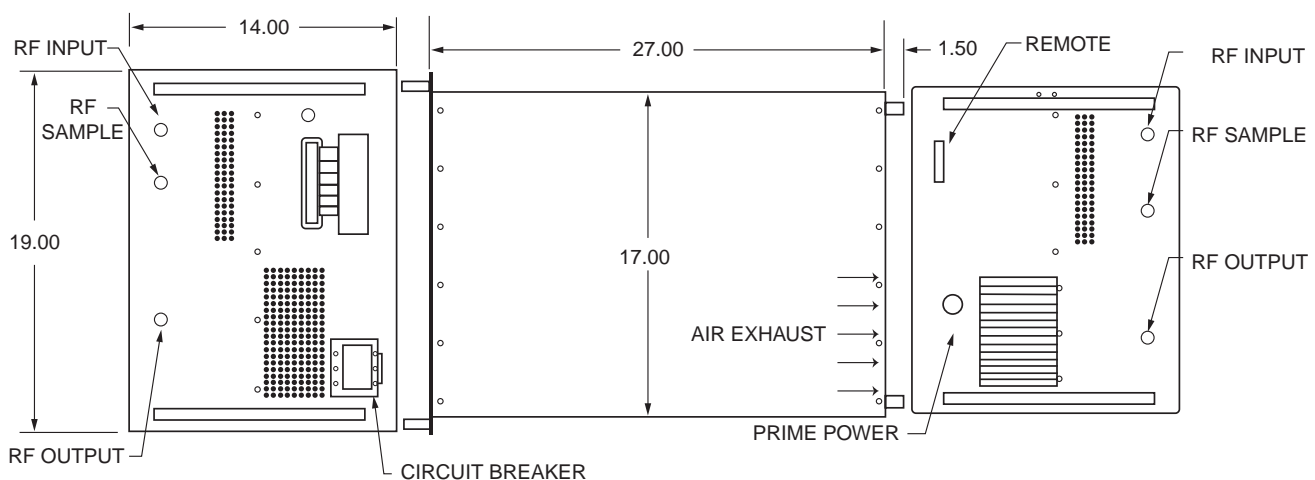
RF Specifications

Spurious Outputs: -40 dBc, maximum.
-50 dBc, available.
Input Impedance: 50 Ohms, VSWR 2.0:1
Output Impedance: 50 Ohms, VSWR 2.0:1
2.5:1 maximum.
Input Connector: Type N (Female).
Output Connector: 1.0 to 8.0 GHz,
Type N or SC (Female),
8.0 to 12.0 GHz, WR90
12.0 to 18.0 GHz, WR62
7.5 to 18.0 GHz, WRD750
6.0 to 18.0 GHz, WRD650
(Other waveguides available
Option 117)

To view typical performance data go to
www.ifi.com/typdata.htm

Outline Drawing:

Specifications subject to change without notice



INSTRUMENTS FOR INDUSTRY INC.

903 South Second Street, Ronkonkoma, NY 11779

Tel: 631-467-8400 • Fax: 631-467-8558 • E mail: sales@ifi.com

www.ifi.com