



Advanced Test Equipment Corp.
www.atecorp.com 800-404-ATEC (2832)



LD Series Operation Manual

Dual Column Test Stand

Models LD5, LD10, LD30, LD50, LD100



Contents

Warnings	1	Specifications	15
Overview	3	Support	17
Introduction.....	3	Contact Us.....	17
Main Components.....	4	Returning product to AMETEK.....	17
Handheld Controller.....	4	Warranty.....	17
Assemblies and Features.....	4		
Safety Features	5		
Emergency Stop.....	5		
Safe Line Button.....	5		
Crosshead Movement Limits.....	6		
Optional Splinter Shield.....	6		
Safety Jog.....	6		
Setting Up the Machine and Hardware	7		
Unpacking.....	7		
Setting Up the LD Series.....	7		
Lifting.....	8		
Lifting With a Pallet.....	8		
Lifting With Straps.....	8		
Lifting With a Forklift.....	8		
Securing the LD Series to a Bench.....	8		
POGO Testing.....	9		
Preparing the LD Series for Pogo Testing.....	9		
Fitting The Hand-Held remote.....	10		
Mains Input Voltage Selection.....	11		
Load Cells and Grips.....	13		
Grips and Adapters.....	14		

Warnings

IMPORTANT: When the machine has been installed and before it is ready for use, the final user must conduct the final Risk Assessment on the machine, including all such safety measures (shields, guards, etc) to satisfy the requirements of the Machinery Directive and EHSR (Essential Health and Safety Requirements).

The final user must take the necessary steps to ensure the safety of the operator, other people, machines and property by providing guards, shields, screen, adequate lighting, adequate ventilation. Factors affecting required safety measures include industry, application, material under test, and location of use.

Operators of LD Series Materials Testers must heed the following warnings at all times.

! WARNING: Crush Hazard—Allow only one person to handle or operate the system at a time.



Operator injury may result if more than one person operates the system. Before working inside the hazard area between grips or fixtures, ensure that no other personnel can operate the computer or any of the system controls.

! WARNING: Crush Hazard—Take care when installing or removing a specimen, assembly, structure, or load string component.



Installation or removal of a specimen, assembly, structure, or load string component involves working inside the hazard area between the grips and fixtures. Keep clear of the jaws of a grip or fixture at all times. Keep clear of the hazard area between the grips or fixtures during actuator or crosshead movement. Ensure that all actuator or crosshead movements necessary for installation or removal are slow and, where possible, at a low force setting.

! WARNING: Hazard—Press the Emergency Stop button whenever you consider that an unsafe condition exists.



The Emergency Stop button removes power or electrical drive from the testing system and brings the hazardous elements of the system to a stop as quickly as possible. It does not isolate the system from electrical power—other means are provided to disconnect the electrical supply. If you are concerned that safety may be compromised, stop the test using the Emergency Stop button. Investigate and resolve the situation that caused the use of the Emergency Stop button before you reset it.

! WARNING: Flying Debris Hazard—Make sure that test specimens are installed correctly in grips or fixtures in order to eliminate stresses that can cause breakage of grip jaws or fixture components.



Incorrect installation of test specimens creates stresses in grip jaws or fixture components that can result in breakage of these components. The high energies involved can cause the broken parts to be projected forcefully some distance from the test area. Install specimens in the center of the grip jaws in line with the load path. Insert specimens into the jaws by at least the amount recommended in your grip documentation. This amount can vary between 66% to 100% insertion depth. Refer to supplied instructions for your specific grips. Use any centering and alignment devices provided.

! WARNING: Hazard—Protect electrical cables from damage and inadvertent disconnection.



The loss of controlling and feedback signals that can result from a disconnected or damaged cable causes an open loop condition that may drive the actuator or crosshead rapidly to its extremes of motion. Protect all electrical cables, particularly transducer cables, from damage. Never route cables across the floor without protection, nor suspend cables overhead under excessive strain. Use padding to avoid chafing where cables are routed around corners or through wall openings.

! WARNING: Electrical Hazard—Disconnect the electrical power mains before removing the covers to electrical equipment.



Disconnect equipment from the electrical power mains before removing any electrical safety covers or replacing fuses. Do not reconnect the power source while the covers are removed. Refit covers as soon as possible.

! WARNING: High/Low Temperature Hazard—Wear protective clothing when handling equipment at temperature extremes.



Materials testing is often carried out at non-ambient temperatures using ovens, furnaces, or cryogenic chambers. Extreme temperature means an operating temperature exceeding 60° C (140° F) or below 0° C (32° F). Use protective clothing such as gloves when handling equipment at these temperatures. Display a warning notice concerning low or high temperature operation whenever temperature control equipment is in use. You should note that the hazard from extreme temperature can extend beyond the immediate area of the test.

! WARNING: Hazard—Do not place a testing system off-line from computer control without first ensuring that no actuator or crosshead movement will occur upon transfer to manual control.



The actuator or crosshead will immediately respond to manual control settings when the system is placed off-line from computer control. Before transferring to manual control, make sure that the control settings are such that unexpected actuator or crosshead movement cannot occur.

- ! WARNING: Robotic Motion Hazard—Keep clear of the operating envelope of a robotic device unless the device is deactivated.**



The robot in an automated testing system presents a hazard because its movements are difficult to predict. The robot can go instantly from a waiting state to high speed operation in several axis of motion. During system operation, remain outside of the operating envelope of the robot. Deactivate the robot before entering the envelope for any purpose, such as reloading the specimen magazine.

- ! WARNING: Hazard—Set the appropriate limits before performing tests.**



Operational limits are included within the testing system to suspend motion or shut off the system when upper and/or lower bounds of actuator or crosshead travel, or force or strain are reached during testing. Correct setting of operational limits by the operator, prior to testing, will reduce the risk of damage to test article and system, and associated hazard to the operator.

- ! WARNING: Rotating Machinery Hazard—Never operate the machine with the covers removed.**



If a cover must be removed, first disconnect equipment from mains power. Do not reconnect any power supply while the covers are removed. Refit covers as soon as possible.

- ! WARNING: Explosion Hazard—Wear eye protection and use protective shields or screens whenever any possibility exists of a hazard from the failure of a specimen, assembly, or structure under test.**



Wear eye protection and use protective shields or screens whenever a risk of injury to operators and observers exists from the failure of a test specimen, assembly, or structure, particularly where explosive disintegration may occur. Due to the wide range of specimen materials, assemblies, or structures that may be tested, any hazard resulting from the failure of a test specimen, assembly, or structure is entirely the responsibility of the owner and user of the equipment.

- ! WARNING: Hazard—Ensure components of the load string are correctly pre-loaded to minimize the risk of fatigue failure.**



Visually inspect highly stressed components such as grips and threaded adapters prior to every test for signs of wear or fatigue damage.

- ! WARNING: Always maintain a clean work area free of debris or obstructions.**



Remove load from any samples and ensure machine is not moving before cleaning or removing debris from the machine.

- ! WARNING: Hazard—From Stored Potential Energy.**



If power is lost while a sample is under load, the crosshead may remain in its current position. In this case, it can only be moved by restoring power. Until such time, a stored potential energy in the sample may present a hazard.

- ! WARNING:**



Ensure adequate lighting of work area.

- ! WARNING:**



Install machine in an area that will not allow the user to become distracted.

- ! WARNING: Hazard—Risk of electric shock. Never operate machine with covers removed.**



- ! WARNING: Hazard—Risk of electric shock. Do not replace the mains power cord with an inadequately rated cord.**



- ! CAUTION: User-performed maintenance is not required, and should not be performed on the LD Series Dual Column Test Stand. If maintenance is required, please contact AMETEK for service.**

Overview

INTRODUCTION

The Lloyd Instruments LD Series has an extensive range of features making it ideal for performing complex testing applications. The highly accurate load measurement and rapid data acquisition make the LD Series the perfect machine for a broad range of applications.

The high stiffness, dual-column frame minimizes side loading of the sample under test. The crosshead is driven by twin lead screws and a high performance servomotor to achieve a wide range of speeds throughout a broad load range. A range of highly accurate, interchangeable load cells is available for tension, compression and cycling force measurements. The system is ideal for use in production, quality control, educational, and research environments.

The LD Series is used in conjunction with Nexygen*Plus* 4, a Microsoft Windows® application. Nexygen*Plus* 4, uses familiar Windows user controls, helping an operator quickly learn the system, and feel comfortable performing a wide range of tasks. Data from Nexygen*Plus* 4, can be exported to Microsoft Excel® or Microsoft Word® for further manipulation and enhanced presentation. Nexygen*Plus* 4 software contains a library of pre-programmed test setups for conducting fully automated tests, in accordance with international standards. In addition, customized tests can be created using a simple step by step set-up procedure.

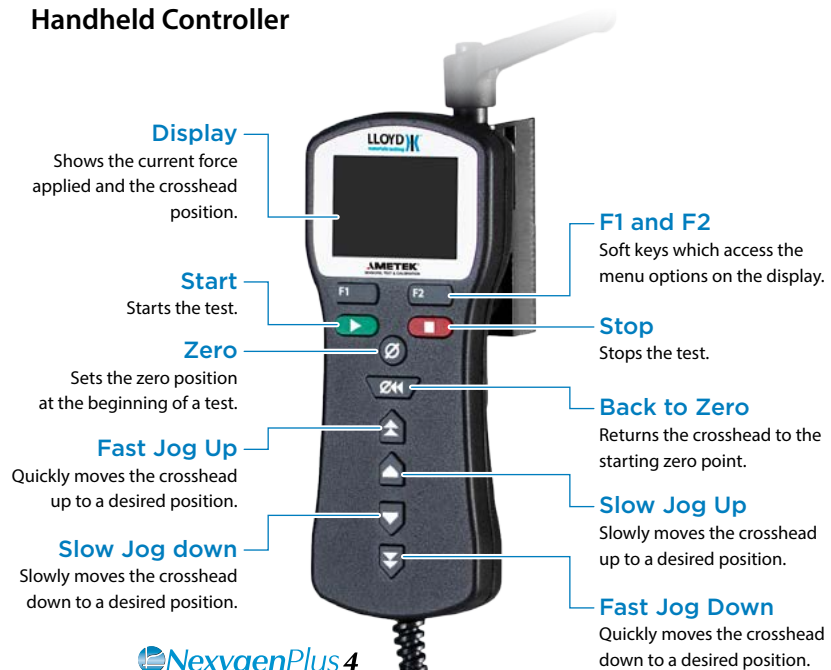
We are confident that the LD Series will meet your expectations, and we're interested in any comments or suggestions you may have. Please send us a note at: test.sales@ametek.com. Many features in this and our other products are a direct result of your comments!

Visit our [website](#) to register your LD Series. Registering gives you access to our latest product and software updates, and our full product support.

Note: We are constantly improving and evolving our equipment, and releasing updates of our firmware and software. Release notes which detail the latest changes can be found on our website under the relevant product <https://www.ametektest.com/products/material-testers/dual-column-test-stands/ld-series-test-machines-bench-mounted>. We strive to inform you directly of updates as and when relevant, but encourage you to consult the website if in doubt.

MAIN COMPONENTS

Handheld Controller



The jog speeds can be configured using the NexygenPlus 4 software.

Assemblies and Features

Adherent to International Standards

The mechanical design of the LD Series adheres to International standards for industries including metal, composites, automotive, building materials, medical devices, and packaging.

Optional Pancake Load Cells

Optional pancake load cells improve accuracy at the cross axis and help increase work area.

Low-profile, Rugged Base

Our low-profile base provides a large working area.

Drawer

A built-in drawer provides a space for tool storage.



Safety Features

EMERGENCY STOP

If the machine needs to be stopped quickly, an Emergency Stop button is provided. Pressing the button stops the machine immediately. To re-enable the start-up sequence, release the button by turning it clockwise one quarter turn.



The Emergency Stop button.

SAFE LINE BUTTON

The safe line button is mounted on the left hand side of the frame and is initially illuminated to indicate the crosshead motor circuit is ready, but not powered. The safe line circuit must be activated before the material tester can be used. Pressing the safe line button will turn the light off to indicate that the material tester is now ready for use. Use the main power switch to turn power off when the material tester is not in use.



The Safe Line button.



The Main Power switch.

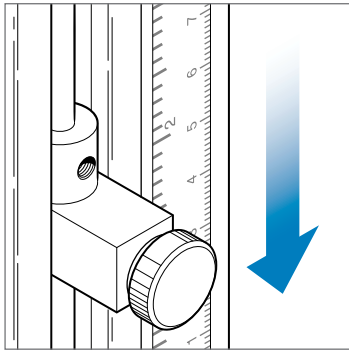
! WARNING: Crushing Hazard—Always ensure the safe line button is illuminated and the machine is not moving before reaching into cross head area. Always ensure the Emergency Stop button is visible and easily accessible to the user.

CROSSHEAD MOVEMENT LIMITS

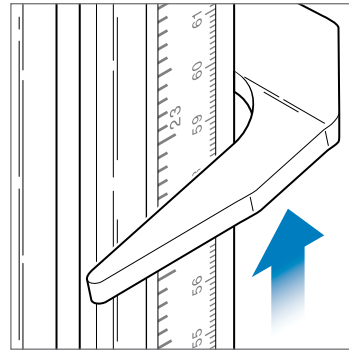
The LD Series is fitted with two mechanically activated limit stops. These can be used as extra protection to stop load cells, grips or fixtures coming into contact, or to back up the tests upper and lower limits. Activating a limit stop will automatically stop the machine.

► To Adjust a Limit Stop

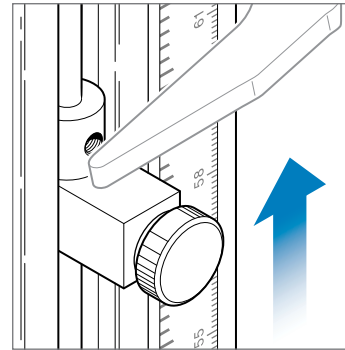
- 1 Loosen the limit stop screw, move it to the top or bottom of its travel, and tighten the screw temporarily.
- 2 Drive the moving crosshead to the highest or lowest position it may go to safely, without damaging any fitted grips or fixtures.
- 3 Move the crosshead slightly away from the position established in step 2.
- 4 Loosen the screw and move it to the cross head actuator and tighten in this position.



Move the Limit Stop to the top or bottom of its travel...



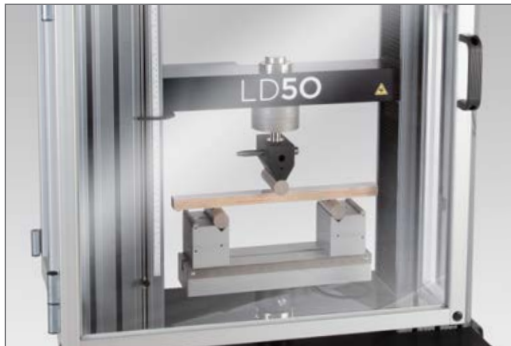
drive the Moving Crosshead to a position it may go to safely...



then move the Limit Stop to the Crosshead Actuator position and tighten it.

OPTIONAL SPLINTER SHIELD

A transparent splinter shield is available as an option to enclose the test sample. A shield should be used if any danger of samples shattering during the test exists. The shield has an electronic interlock, which requires the hinged shield to be closed before the test can start.



Optional Splinter Shield.

SAFETY JOG

The LD Series has a built in safety feature to provide protection while jogging the machine. If the machine measures an unexpected resistance while jogging, it will automatically stop.

Note: The resistance level is selectable in the NexygenPlus 4 software.

Setting Up the Machine and Hardware

UNPACKING

All packing material should be carefully removed from the testing machine and a careful visual inspection should be made to ensure that there is no obvious transit damage. The following standard items should be in this package:

- Material testing frame
- Control console
- Power input cable
- Appropriate grip/adaptor pins and anchor pins
- 1 x "C" spanner; 1 x 5 mm Allen key

Some of the following optional equipment may also be included with your machine:

- Nexygen*Plus* 4 software package
- Load cell
- Gripping fixture

If there is any damage or parts missing, please report this to your dealer or to AMETEK without delay.

SETTING UP THE LD SERIES

If this equipment is used in a manner not specified by the manufacturer, the protection provided by the equipment may be impaired. The LD Series should be installed in an area where adequate lighting is present in order to ensure safe use. Ensure adequate ventilation. Do not block airflow to fans or vents on the enclosure.

Note: Do not position the LD Series so that it is difficult to operate. The mains supply machine socket should be easily accessible so that the mains power may be disconnected in case of an emergency.

The LD Series is a heavy machine and great care should be taken in choosing the location where it is installed. If it is to be bench mounted, ensure that the bench is capable of remaining firm and stable, and able to withstand the combined weight of the machine and any mounted accessories. See [Specifications on page 15](#) for the weight of the LD Series. The LD Series must be vertical, whether bench or floor mounted. If not vertical, results may be affected, particularly for very low load.

CAUTION: The LD Series must be positioned so that the front of the machine can be easily accessed. The Emergency Stop Button MUST NOT BE OBSTRUCTED in any way.

LIFTING

As the LD Series is heavy, please ensure utmost care is taken when lifting. Lifting equipment should be used as necessary.

Lifting With a Pallet

CAUTION: The LD Series should never be lifted by placing hands under the frame.

The LD Series can have a pallet fitted under it so that it may be lifted to the desired position with a forklift hoist or suitable lifting trolley.

Lifting With Straps

Lifting straps may be situated under the moving crosshead. Ensure the crosshead is padded to avoid damage to the machine. Care should be taken to ensure that the straps do not interfere with the load cell connection socket.

Lifting With a Forklift

An alternative method for lifting is the use of a forklift truck with the forks under the moving crosshead. Ensure the crosshead is well padded to avoid damage to the machine. Ensure the forks do not damage the load cell socket.

SECURING THE LD SERIES TO A BENCH

The materials tester is heavy and cannot normally tip over. However, if there is the possibility that users can pull against the vertical column, then there is a risk that the machine may be pulled over.

The LD Series materials tester can be secured to the bench using the four, threaded M8 holes in the base of the machine.

WARNING: The LD Series must be secured to a rigid and stable supporting surface. Ignoring this requirement disregards the safety standards established for the machine.

Note: This requirement must be performed by an authorized Lloyd Instruments engineer.

POGO TESTING

AMETEK produces a range of Lloyd Instruments machines that can be mounted on specially designed frames that can be used for testing a wide range of bulky items such as cardboard cartons, crates, and furniture.

Machines configured with the POGO option have a linear bearing fitted in a fixed lower crosshead. A rod running through the crosshead connects the load cell and compression platens which are mounted in the frame below the material testing machine.



Typical installation of an LD Series on a Pogo.

Preparing the LD Series for Pogo Testing

Note: Since the size and specifications of Pogo mounting frames will vary depending on individual customer requirements, the following is a general procedure for preparing the LD Series for Pogo testing. Refer to the instructions for set up and wiring supplied with your individual mounting frame.

► To Prepare the LD Series for Pogo Testing

- 1 Position the Pogo mounting frame.
- 2 Fit the frame mounting plates to the LD Series.

! CAUTION: To avoid damage to the equipment and/or possible injury, AMETEK recommends that the fitting of the supplied frame mounting plates be carried out by a Lloyd Instruments appointed commissioning engineer, trained to suit the requirements and needs of the customer.

3 Follow the fitting and wiring instructions for the Console and Emergency Stop Buttons.

Note: The positioning of controls is the responsibility of the final user, who should ensure (as part of the Risk Assessment) that sufficient stop buttons are provided.

4 Lift the LD Series onto the mounting frame. See [Lifting on page 8](#) for proper lifting methods.

5 Secure the LD Series to the mounting frame.

! CAUTION: Because the mounting plates protrude from the bottom of the machine, no attempt should be made to stand the machine on its own. It will only be stable when it is fitted and secured to the mounting frame.

6 Insert the Pogo rod through the bearing on the lower (fixed) crosshead, and connect to the bottom platen.

7 Connect the load cell.

Once the LD Series is installed, wired, and ready for use, the user must conduct the final Risk Assessment of the machine, including all safety measures (shield, guard, etc.) to satisfy the requirements of the Machinery Directive and EHSR (Essential Health and Safety Requirements).

FITTING THE HAND-HELD REMOTE

The height of the console can be adjusted to give the best position for viewing and operation.

► To Connect the Remote to the LD Series

1 Plug the connector attached to the remote into the rear of the machine.

2 Adjust the height of the remote using the position locking lever.

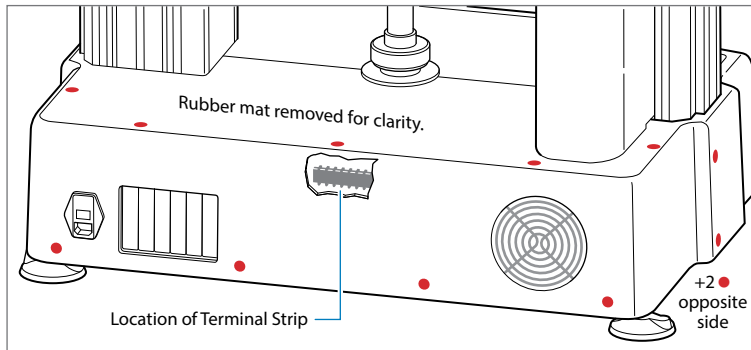
MAINS INPUT VOLTAGE SELECTION

The LD Series can be used with mains power of either 230VAC $\pm 10\%$ or 115VAC $\pm 10\%$, with frequency from 50Hz to 60Hz.

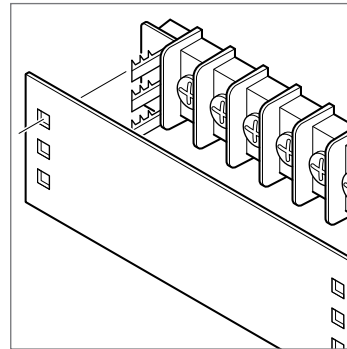
CAUTION: Check to ensure the correct voltage of your mains power supply has been selected on the input connector BEFORE connecting power to the machine.

► To Set the Correct Mains Power Supply Voltage

- 1 Remove the rear plastic housing shroud from the machine.
- 2 Remove the protective cover over the terminal strip, and identify the four terminals on the left end of the terminal strip located on the back of the machine.

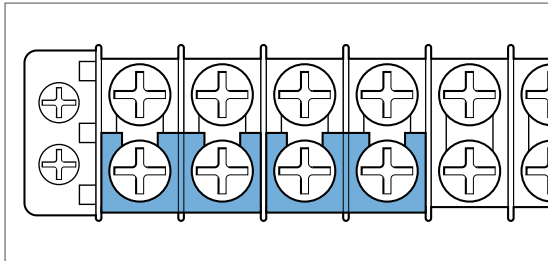


Remove the 13 screws (●) to remove the rear plastic housing shroud...

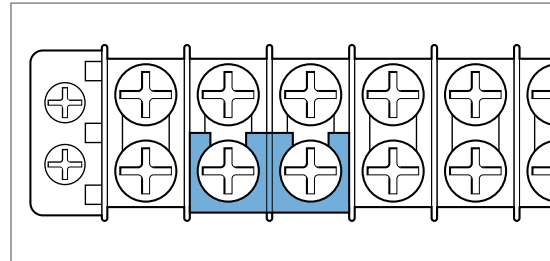


then remove the terminal strip protective cover.

- 3 To configure for 115 volt mains, configure the two jumpers between the outer screw terminals.
- 4 To configure for 230 volt mains, configure a single jumper between the inner screw terminals.



Configuration for 115 volt mains.

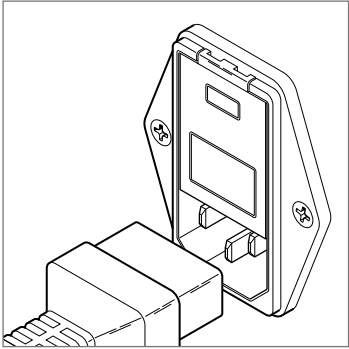


Configuration for 230 volt mains.

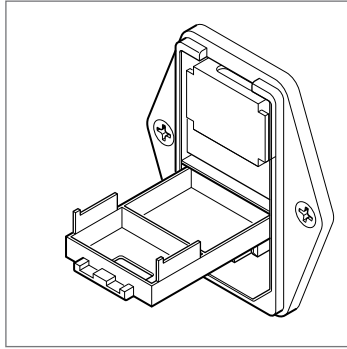
- 5 Replace the protective cover over the terminal strip.
- 6 Replace the rear plastic housing shroud.

► Fuse Replacement

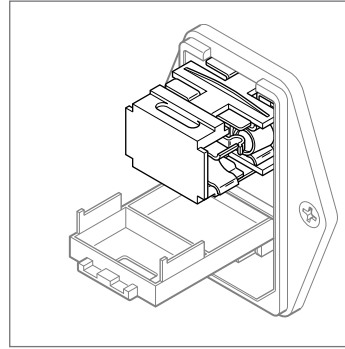
- 1 Remove any power to the machine, then use a small, flat-blade screwdriver to open the voltage selector access panel.
- 2 With the same flat-blade screwdriver, remove the voltage selector/fuse-holder and replace the fuse.



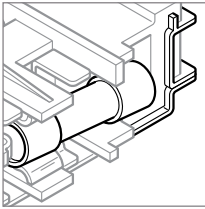
Remove power to the unit.



Open the voltage selector access panel.



Remove the voltage selector/fuse-holder.



Note: The fuses must be installed with one end touching the pin end of the fuse holder.

! WARNING: Replace with the factory supplied FLK/0019/00 or equivalent.

! WARNING: To avoid the risk of electrical shock, equipment must be connected to an outlet with a protective earth ground, using the power cord provided

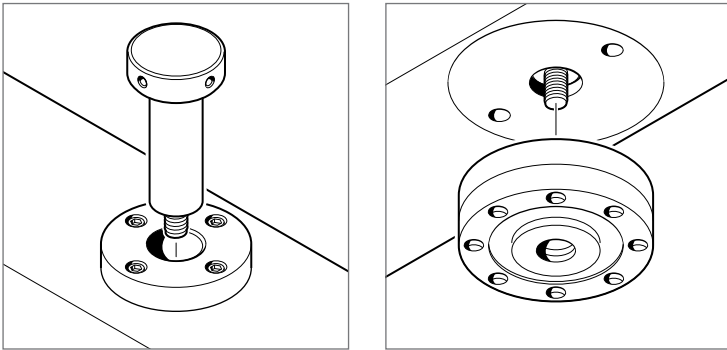
- 3 Re-install the voltage selector/fuse-holder, then push to close.

LOAD CELLS AND GRIPS

► To Install a Load Cell

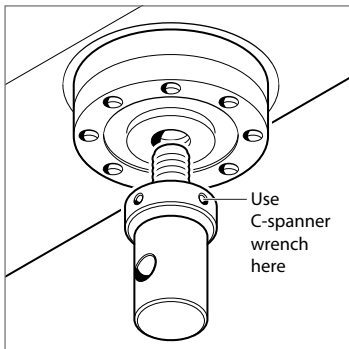
- 1 Select the correct size load cell adapter.
- 2 Place the adapter through the hole in the moving crosshead with the thread side down.
- 3 Screw the load cell adapter into the load cell.

Note: Take care to ensure that the locating pin on the load cell fits in one of the holes on the underside of the moving crosshead.



Place the adapter into the moving crosshead... then screw the adapter into the load cell.

- 4 Check that the connecting cable is on the same side as the connecting socket, then tighten the load cell adapter with the C spanner provided.
- 5 Insert the load cell plug in the socket on the rear of the moving crosshead, and finger-tighten the two retaining screws.
- 6 Fit the eye end to the load cell and tighten with the C spanner.

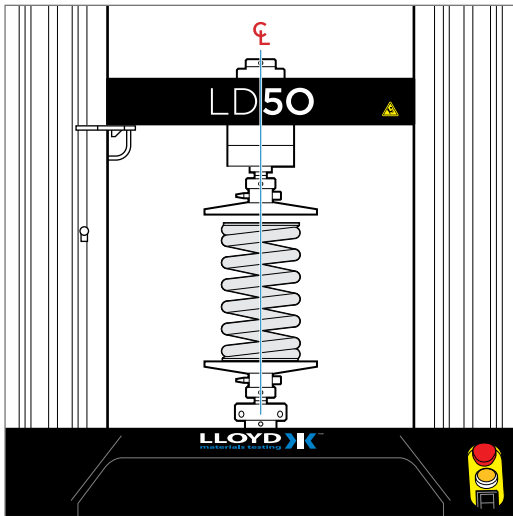


Grips and Adapters

We offer a complete line of grips and adapters to meet your specific needs. Each can be found on our website at ametekttest.com with individual catalogs and specifications included.

► Installing the Grips

- When installing the heavy upper grips on the load cell, avoid bumping the eye end. If the grip is a close fit, DO NOT FORCE IT. Set, or re-set, the bottom limit stop so the grips will not meet when the crosshead is lowered.
- In both tension and compression tests, center the specimen in line with the axis of the load cell and the bottom fixed anchor pin to avoid side thrust.



Proper alignment of the test specimen.

Note: In compression tests, care must be taken to avoid bringing the platens together or against solid specimens at high speed. Ensure that the lower crosshead limit is set correctly. If a special lower fixture is used, ensure that it is fixed in position so that it does not block the normal downward movement of the upper fixture.

- Avoid overloading beyond the rated capacity of the load cell. Prior to testing ensure that the maximum force anticipated will not exceed the capacity of the cell installed.

Lloyd Instruments load cells are built to exceed the standards as set out by ASTM, BS, DIN etc. Load cells on all models of LD Series machines are user-changeable. Various capacities are available from 5N up to the capacity of the frame. While cells may be used below 10% of capacity, it is recommended to use a lower force cell such that the test force will fall in the upper 90% of its range. This will give the best signal to noise performance of the load measuring system.

For some samples, the LD Series alone will not provide the most accurate strain analysis available. To increase accuracy, we suggest one of our many Lloyd Instrument extensometers. Our extensometers can be added to an LD Series machine, and the results can be read by our Nexygen*Plus* software.

For details on our various extensometers, please visit our website at ametekttest.com.

Specifications

Force Capacity

LD5	5 kN / 1124 lbf
LD10	10 kN / 2248 lbf
LD30	30 kN / 6744 lbf
LD50	50 kN / 11240 lbf
LD100	100 kN / 22480 lbf

Crosshead Speed Range

LD5	0.0001 to 1270 mm/min / 0.000004 to 50 in /min
LD10	0.0001 to 1270 mm/min / 0.000004 to 50 in /min
LD30	0.0001 to 1000 mm/min / 0.000004 to 40 in /min
LD50	0.0001 to 500 mm/min / 0.000004 to 20 in /min
LD100	0.0001 to 250 mm/min / 0.000004 to 10 in /min

Return Speed

LD5	1270 mm/min / 50 in/min
LD10	1270 mm/min / 50 in/min
LD30	1000 mm/min / 40 in/min
LD50	650 mm/min / 26 in/min
LD100	325 mm/min / 10 in/min

Speed Accuracy

0.1%

Crosshead Travel

Standard Height	1070 mm / 42 in
Extended Height	1669 mm / 65.7 in

The LD100 is available in only a standard height version.

Extension Resolution

LD5/10	0.000354 micron per encoder count
LD30	0.000214 micron per encoder count
LD50	0.000121 micron per encoder count
LD100	0.000063 micron per encoder count

Load Cell

Load Cell Accuracy . . . $< \pm 0.5\%$ of reading down to 1/100 of load cell capacity

Resolution 32-bit A/D converter

Min. Load Resolution . . 1 part in 10^9

The load cell will be limited by the model force capacity.

Extensometer Inputs

Analog and Digital

Data Transfer Rate to PC

1 kHz

Supply Voltage

207-253 VAC at 50 Hz or 103.5-126.5 VAC at 60 Hz

Load Measuring System

EN ISO 7500-1:2015, Class 0.5 ASTM E4

SPECIFICATIONS (CONTINUED)

Width Between Columns

452 mm / 17.8 in

Weight

225 kg / 496 lb

Operating Temperature

10 to 40° C / 50 to 104° F

Sound Pressure Level

< 70 dB(A)

Control Modes

Position, Load Rate, and Strain Rate Control

Software

Nexygen*Plus* 4

Ratings

Mains Supply Voltage Fluctuations not exceeding +/- 10% of the nominal voltage

Transient Overvoltages According to overvoltage category II

Maximum Relative Humidity 80% for temperatures up to 31° C

Altitude Up to 2000 m

Indoor use only. Pollution degree 2.

Support

CONTACT US

United Kingdom

Tel +44 (0)1243 833 370

test.sales@ametek.com

France

Tel +33 (0)1 30 68 89 40

general.lloyd-instruments@ametek.fr

Germany

Tel +49 (0)2159 9136 510

info.mct-de@ametek.de

Denmark

Tel +45 4816 8000

test.sales@ametek.com

USA

Florida

Tel +1 (800) 527 9999

test.sales@ametek.com

India

Tel +91 22 2836 4750

test.sales@ametek.com

China

Shanghai

Tel +86 21 5868 5111

Beijing

Tel +86 10 8526 2111-19

test.sales@ametek.com

Singapore

Tel +65 6484 2388

test.sales@ametek.com

RETURNING PRODUCT TO AMETEK

Please contact your sales representative to complete a Return Material Authorization (RMA) form and/or receive an RMA number.

Return/shipping instructions will be provided with the RMA number.

WARRANTY

This instrument is warranted against defects in workmanship, material and design for one (1) year from date of delivery to the extent that AMETEK will, at its sole option, repair or replace the instrument or any part thereof which is defective, provided, however, that this warranty shall not apply to instruments subjected to tampering or, abuse, or exposed to highly corrosive conditions.

THIS WARRANTY IS IN LIEU OF ALL OTHER WARRANTIES WHETHER EXPRESS OR IMPLIED AND AMETEK HEREBY DISCLAIMS ALL OTHER WARRANTIES, INCLUDING, WITHOUT LIMITATION, ANY WARRANTY OF FITNESS FOR A PARTICULAR PURPOSE OR MERCHANTABILITY. AMETEK SHALL NOT BE LIABLE FOR ANY INCIDENTAL OR CONSEQUENTIAL DAMAGES, INCLUDING, BUT NOT LIMITED TO, ANY ANTICIPATED OR LOST PROFITS.

This warranty is voidable if the purchaser fails to follow any and all instructions, warnings or cautions in the instrument's Instruction Manual.

If a manufacturing defect is found, AMETEK will replace or repair the instrument or replace any defective part thereof without charge; however, AMETEK's obligation hereunder does not include the cost of transportation, which must be borne by the customer. AMETEK assumes no responsibility for damage in transit, and any claims for such damage should be presented to the carrier by the purchaser.



© 2020 AMETEK Incorporated