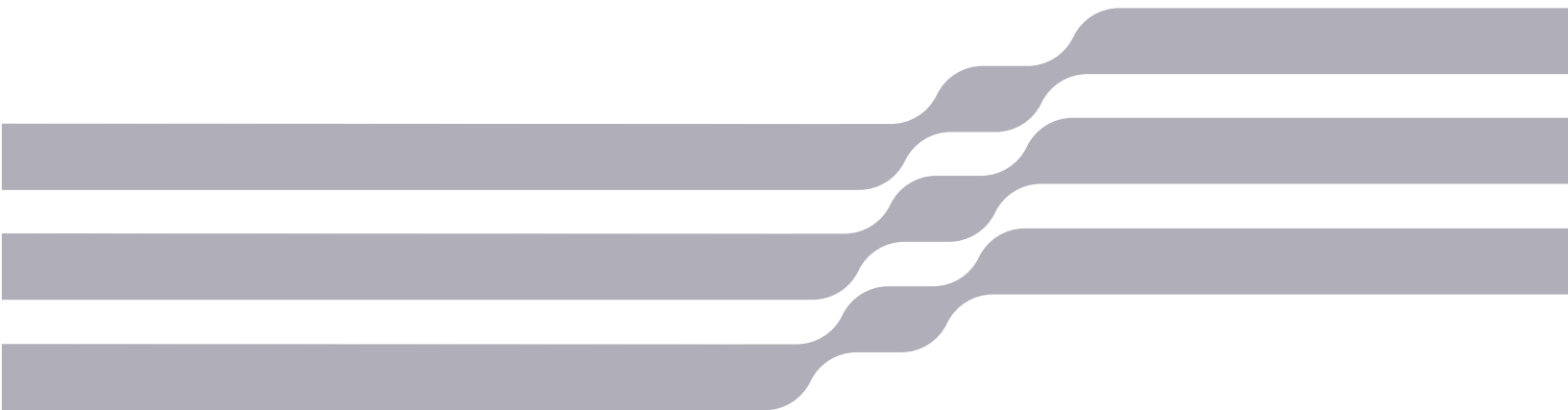




Industrial Power Corruptor

Creating bad quality power. Precisely.



Industrial Power Corruptor (IPC)

Powerside's industrial power corruptor generates bad quality power, reliably and repeatedly. It is the standard generator for equipment certification: SEMI F47, IEC 61000-4-11, IEC 61000-4-34. Once it is connected to AC power and equipment under test, all tests can be run from user-friendly front panel interface. No need to connect and disconnect the voltage probes and current sensors. Tests can be done both rapidly and safely with personnel of any experience level.

Highlights

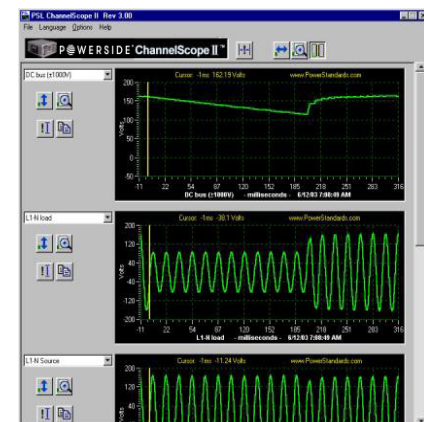
- ✓ Assess immunity of industrial equipment to most common power disturbances
- ✓ Record power consumption profile during all stages of a process or cycle
- ✓ Evaluate present design and helps develop design improvements
- ✓ Helps improving the process flow to optimize energy consumption
- ✓ Compact size, ideal for transport and on-site testing

Features

- ✓ Creates voltage sags and swells, from 0% to 125% of nominal, from 1 cycle to 30 seconds
- ✓ Handles power up to 200 amps continuous per phase at 480V
- ✓ No neutral required, no manual rewiring
- ✓ 100Vrms to 480Vrms nominal, 50/60 Hz, single-phase, 3-phase delta, and three-phase wye/star
- ✓ Built-in standards: SEMI F47, SEMI E6, SEMI S23, IEC 61000-4-11, IEC 61000-4-34, SAMSUNG POWERVACCINE, FAA, MIL SPEC, CBEMA, ITIC, and more
- ✓ Built-in 28 channel data acquisition system/digital oscilloscope with voltage and current sensors
User-friendly front panel control switches and displays
- ✓ Safe, knob selected, true phase-to-phase sags and swells
- ✓ Optional spectrum analyzer and vector scope optimized for power system harmonic monitoring
- ✓ Optional power flow monitoring

Applications

- ✓ Microprocessor and semiconductor manufacturing
- ✓ Continuous process manufacturing (biotech, automotive, plastics)
- ✓ Elevator and other large building controls



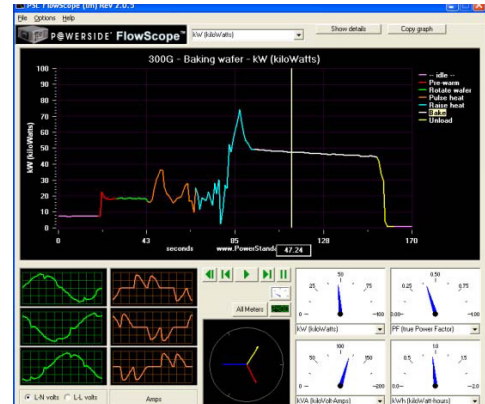
Patented Technology

The IPC uses advanced patented technology to generate perfect voltage transitions. Special new technology permits 200 amp, 480V, 3-phase control in a single, clean, portable package less than 9 inches (23 cm) high.



Power Flow Analysis Option

The Power Flow Analysis option turns the IPC into a powerful power flow recorder, meter, oscilloscope, spectrum analyzer, and vector scope. Record kW, kVA, kVAR, PF, THD, phase angles, and more, all optimized for power consumption in industrial equipment.



Easy to connect

Connecting to the IPC is simple. It only requires to connect the AC source to the input terminal blocks and connect the load to the output terminal blocks. Comes with a set of wire size adaptors to connect smaller wires. The same terminals can be used for single-phase, three-phase delta, and three-phase wye/star systems.



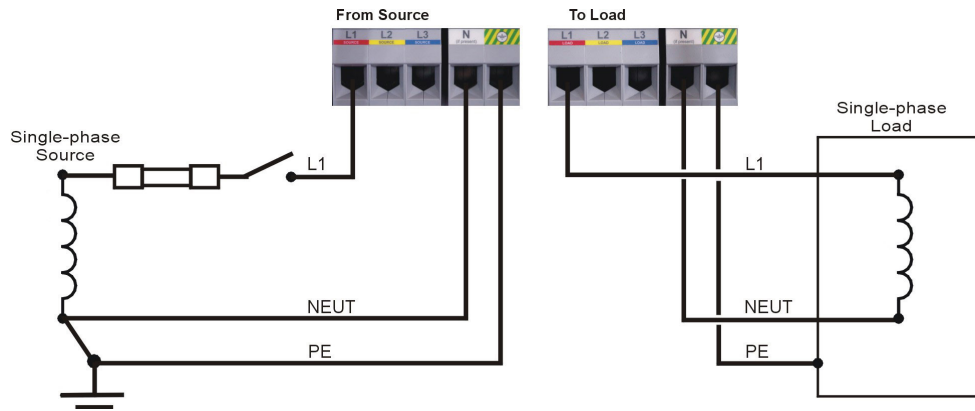
IPC Product Specifications

For more information on the Industrial Power Corruptor (IPC) product specifications, refer to the IPC Datasheet available on the Powerside website.

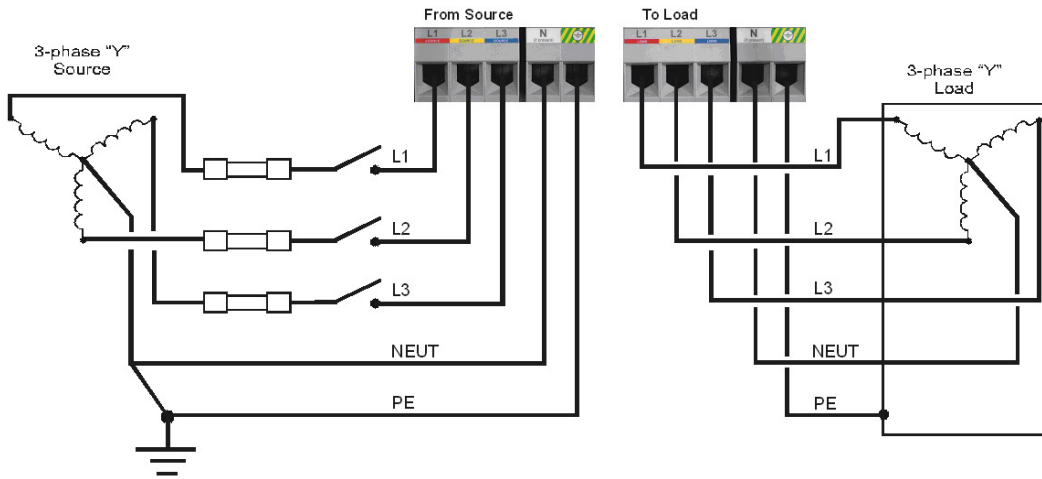


Wiring Diagrams

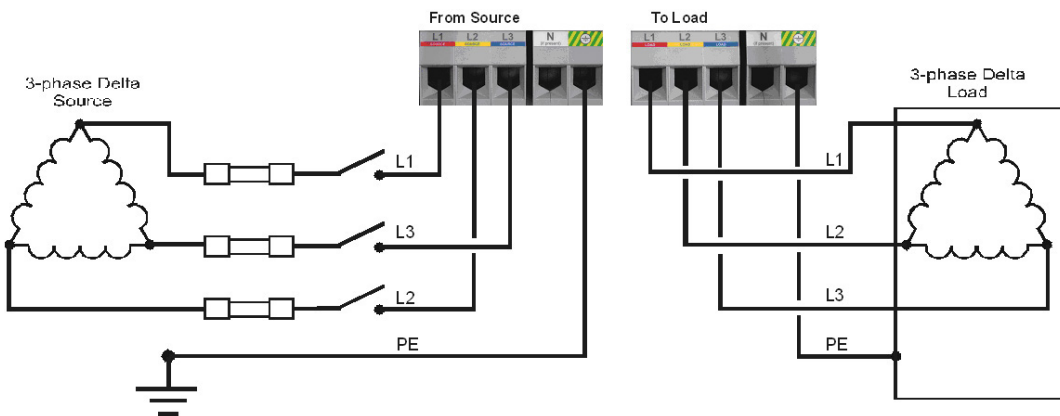
Single Phase Connection



Wye Connection



Delta Connection





powerside.com

Powerside® and PQube® are trademarks of Power Survey Ltd. and Power Standards Lab.
© 2021 Powerside. All rights reserved.

P  **W E R S I D E**®