

Provided by:



Rentals • Sales • Calibration • Service

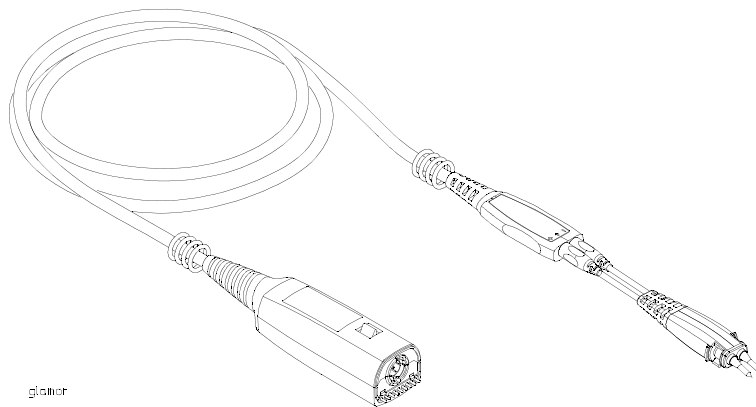
www.atecorp.com
(800) 404-ATEC



Agilent Technologies

User's Quick Start Guide

Publication number 01134-97010
July 2006



For Safety information and Regulatory information, see the pages at the back of this guide.

© Copyright Agilent Technologies 2002-2006
All Rights Reserved.

**1130A 1.5 GHz, 1131A 3.5 GHz,
1132A 5 GHz, and 1134A 7 GHz
InfiniiMax Active Probes**

In This Book

This guide provides user and service information for the 1130A, 1131A, 1132A, and 1134A InfiniiMax Active Probes.

Chapter 1 gives you general information such as inspection, cleaning, accessories supplied, and specifications and characteristics of the probe. Shows the recommended probe configurations for the different probe accessories.

Contents

General Information

To inspect the probe	6
InfiniiMax Accessories Supplied	7
E2669A Differential Connectivity Kit	8
E2668A Single-ended Connectivity Kit	10
Replaceable Parts and Additional Accessories	12
Characteristics and Specifications	16
CAT I and CAT II Definitions	18
WEEE Compliance	18
General Characteristics	19
Slew Rate Requirements for Different Technologies	20
Resistor Dimensions	21
Solder-in 91 Ohm and 0 Ohm Full Bandwidth Resistors	21
Solder-in 150 Ohm and 0 Ohm Medium Bandwidth Resistors	22
82 Ohm Resistor	23
Probe Dimensions	24
Calibrating the probe	25
Probe handling considerations	25
Cleaning the probe	25
Replacing the Mini-axial Lead Resistors on Solder-In Tips	26
Soldering Procedure	26
Tips for Using Solder-In Probe Heads	28
Using Probe Accessories	29
Solder-in Differential Probe Head (Full Bandwidth)	29
Socketed Differential Probe Head (Full Bandwidth)	30
Differential Browser	31
Solder-in Single-ended Probe Head (Full Bandwidth)	31
Single-ended Browser	32
Solder-in Differential Probe Head (Medium Bandwidth)	33
Solder-in Single-ended Probe Head (Medium Bandwidth)	34
Socketed Differential Probe Head with Damped Wire Accessory	35
Socketed Differential Probe Head with Header Adapter	36
Servicing the Probe	37



1130A 1.5 GHz, 1131A 3.5 GHz, 1132A 5 GHz, and 1134A 7 GHz InfiniiMax Active Probes

The 1130A, 1131A, 1132A, and 1134A InfiniiMax Active Probes are probe solutions for high-frequency applications. The probes are compatible with the Infiniium AutoProbe Interface which completely configures the Infiniium series of oscilloscopes for the probes.

These probes are also compatible with the N1022A probe adaptor for use with the Infiniium 86100A Digital Communication Analyzer or with the 1143A external power supply.

To inspect the probe

- ❑ **Inspect the shipping container for damage.**

Keep a damaged shipping container or cushioning material until the contents of the shipment have been checked for completeness and the instrument has been checked mechanically and electrically.

- ❑ **Check the accessories.**

Accessories supplied with the instrument are listed in "Accessories Supplied" in Table later in this chapter.

- If the contents are incomplete or damaged notify your Agilent Technologies Sales Office.

- ❑ **Inspect the probe.**

- If there is mechanical damage or defect, or if the probe does not operate properly or pass performance tests, notify your Agilent Technologies Sales Office.
- If the shipping container is damaged, or the cushioning materials show signs of stress, notify the carrier as well as your Agilent Technologies Sales Office. Keep the shipping materials for the carrier's inspection. The Agilent Technologies Office will arrange for repair or replacement at Agilent Technologies' option without waiting for claim settlement.

InfiniiMax Accessories Supplied

A complete probing solution consists of an amplifier and a probe head.

Figure 1-1

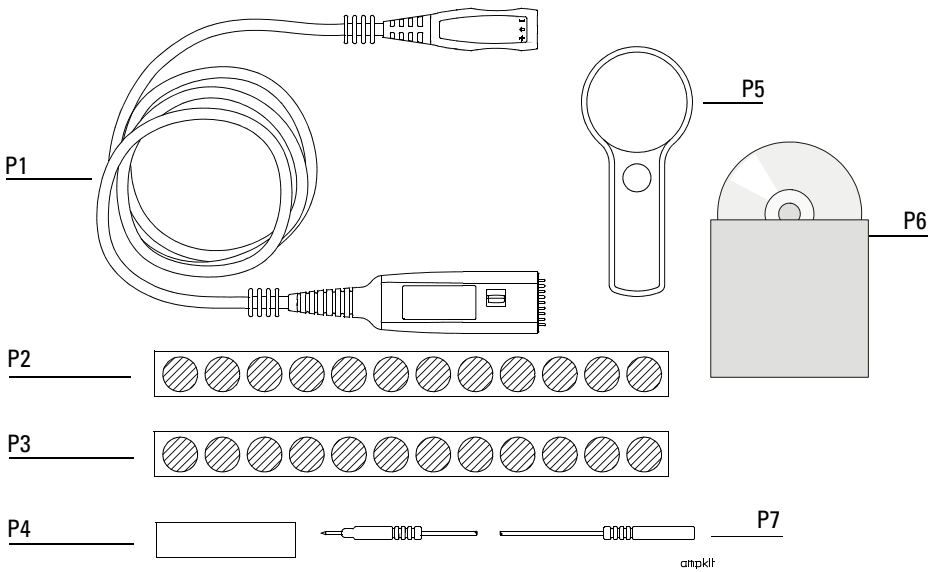
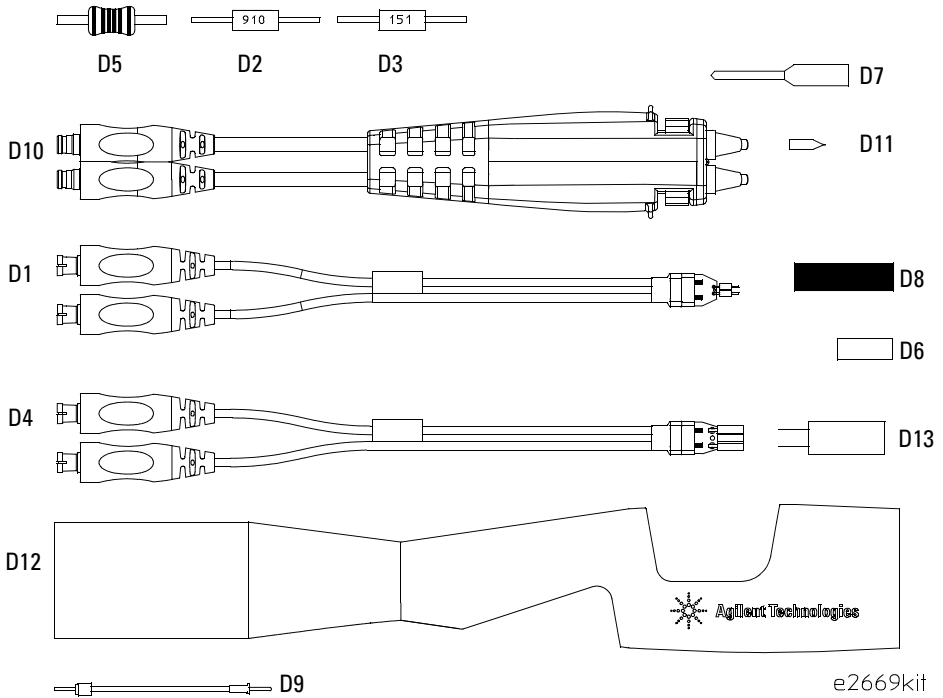


Table 1-1

Item	Description	Qty Supplied	Part Supplied
P1	Probe amplifier 1134A - 7 GHz 1132A - 5 GHz 1131A - 3.5 GHz 1130A - 1.5 GHz	1	1NB7-8517 1NB7-8526 1NB7-8516 1NB7-8535
P2	Velcro dots strip, hooks	1	none
P3	Velcro dots strip, loops	1	none
P4	Velcro strip	1	none
P5	Magnifying glass	1	none
P6	CD-ROM containing Adobe Acrobat files with more in-depth information on probe performance, performance verification, and service.	1	none
P7	Probe amplifier ground wire	1	01131-21301

E2669A Differential Connectivity Kit

Figure 1-2



Some parts have been enlarged to show more detail.

E2669A Differential Connectivity Kit Accessories Supplied

Item	Description	Qty Supplied	Part Supplied
	Solder-in differential probe head kit consists of the following		E2677A
D1	Solder-in differential probe head	4	01131-62103
D2	Resistor for solder-in differential probe head full bandwidth, 91 Ω)	80	01131-81510
D3	Resistor for solder-in differential probe head medium bandwidth, 150 Ω)	40	01131-81506

Item	Description	Qty Supplied	Part Supplied
	91 Ω resistor template	1	01131-94311
	150 Ω resistor template	1	01131-94308
	Socketed differential probe head kit consists of the following		E2678A
D4	Socketed differential probe head	2	01131-62105
D5	Resistor for socketed differential probe head full bandwidth, 82 Ω)	96	01130-81506
D6	Socket for 25 mil (25/1000 inch) square pins, female on both ends	8	01131-85201
D7	25 mil female socket w/20 mil round male pin on other end	8	01131-85202
D8	Heatshrink socket accessory	8	01130-41101
D9	160 Ω Damped wire accessory	12	01130-21302
D13	Header adapter	4	01130-63201
	82 Ω resistor template	1	01131-94309
	Differential browser kit consists of the following		E2675A
D10	Differential browser	1	01131-60002
D11	Resistive tip for differential browser (blue)	20	01131-62102
D12	Ergonomic handle	1	01131-43201

Cut resistors

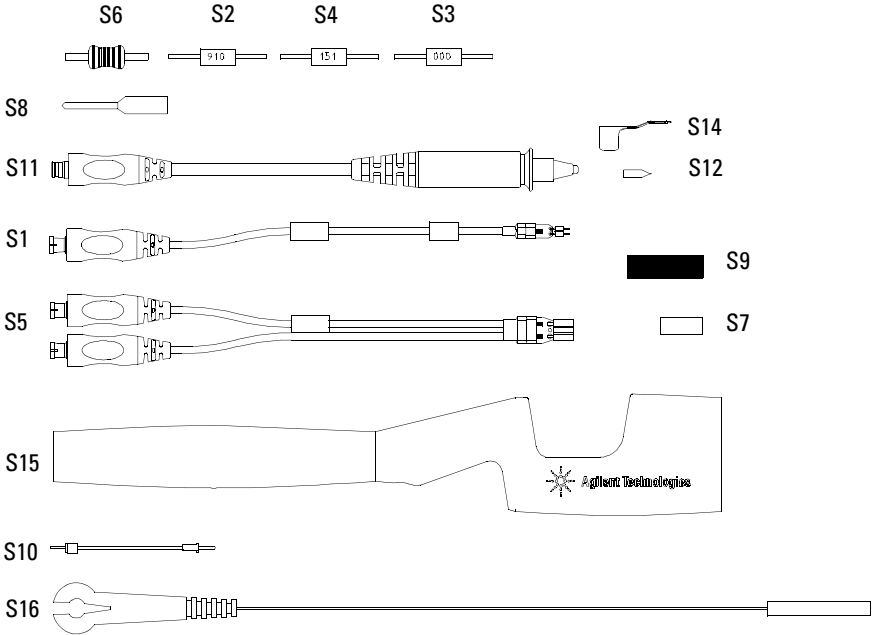
Before using the resistors, the resistor wires must be cut to the correct dimensions. For the correct dimensions see "Resistor Dimensions" on page 1-21

Resistor performance

The S2 resistors were changed from 100 Ω to 91 Ω for slightly better performance. Either value produces a response that is well within specifications. If you have some of the older 100 Ω resistors, ensure that you use either two 100 Ω or two 91 Ω resistors. Do not mix them.

E2668A Single-ended Connectivity Kit

Figure 1-3



e2668kit

Some parts have been enlarged to show more detail.

E2668A Single-ended Connectivity Accessories Supplied

Item	Description	Qty Supplied	Part Supplied
	Solder-in single-ended probe head kit consists of the following		E2679A
S1	Solder-in single-ended probe head	1	01130-62101
S2	Resistor for solder-in single-ended probe head (full bandwidth, 91 Ω)	16	01131-81510
S3	Resistor for solder-in single-ended probe head (full and medium bandwidth, 0 Ω)	24	01131-81504

Item	Description	Qty Supplied	Part Supplied
S4	Resistor for solder-in single-ended probe head (medium bandwidth, 150 Ω)	8	01131-81506
	91 Ω resistor template	2	01131-94311
	150 Ω resistor template	2	01131-94308
	Socketed differential probe head kit consists of		E2678A
S5	Socketed differential probe head	1	01131-62105
S6	Resistor for socketed differential probe head full bandwidth, 82 Ω)	48	01130-81506
S7	Socket for 25 mil (25/1000 inch) square pins, female on both ends	4	01131-85201
S8	25 mil female socket w/20 mil round male pin on other end	4	01131-85202
S9	Heatshrink tubing for square pin socket accessories	4	01130-41101
S10	160 Ω damped wire accessory	6	01130-21302
	82 Ω resistor template	1	01131-94309
	Single-ended browser kit consists of		E2676A
S11	Single-ended browser	1	01130-60007
S12	Resistive tip for single-ended browser (blue)	10	01131-62102
S14	Ground collar assembly for single-ended browser	2	01130-60005
S15	Ergonomic handle	1	01130-43202
S16	Socketed ground lead 6 inches	1	5063-2120

Cut resistors

Before using the resistors, the resistor wires must be cut to the correct dimensions. For the correct dimensions see "Resistor Dimensions" on page 1-21.

Resistor performance

The S2 resistors were changed from 100 Ω to 91 Ω for slightly better performance. Either value produces a response that is well within specifications.

Replaceable Parts and Additional Accessories

A complete probing solution consists of an amplifier, a probe head, and accessories. Amplifiers are available in kits that include velcro, a magnifying glass, and a CD-ROM with information on probe performance, verification and service. Probe heads are available in connectivity kits, probe head kits, or individually. Accessories are available in connectivity kits, probe head kits, or accessory kits.

Table 1-2

Connectivity Kits				
Agilent Part Number	Consists of	Orderable?	Description	Qty
E2668A		Yes	Single-ended Connectivity Kit consists of	1
	E2676A	Yes	Single-ended browser kit	1
	E2679A	Yes	Solder-in single-ended probe head kit	1
	E2678A	Yes	Socketed differential probe head kit	1
E2669A		Yes	Differential Connectivity Kit consists of	1
	E2675A	Yes	Differential browser kit	1
	E2677A	Yes	Solder-in differential probe head kit	4
	E2678A	Yes	Socketed differential probe head kit	2
Probe Head Kits				
Agilent Part Number	Consists of	Orderable?	Description	Qty
E2675A		Yes	Differential browser kit	1
	01131-60002	No	Differential browser	1
	01131-62102	No (Order E2658A accessory kit)	Resistive tip for browser (blue)	20
	01131-43201		Ergonomic handle for browser	1
E2676A		Yes	Single-ended browser kit	1
	01130-60007	No	Single-ended browser	1
	01130-60005	No (Order E2663A accessory kit)	Ground collar assembly	2
	01131-62102		Resistive tip for browser (blue)	10
	01130-43202		Ergonomic handle for browser	1
	5063-2120		Socketed ground lead	1

Probe Head Kits (continued)

Agilent Part Number	Consists of	Orderable?	Description	Qty
E2677A		Yes	Solder-in differential probe head kit	1
	01131-62103	No	Solder-in differential probe head	1
	01131-81510	No (Order E2670A accessory kit)	Resistor 91 Ω full bandwidth	20
	01131-81506		Resistor 150 Ω medium bandwidth	10
	01131-94311		91 Ω resistor template	1
	01131-94308		150 Ω resistor template	1
E2678A		Yes	Socketed differential probe head kit	1
	01131-62105	No	Socketed differential probe head	1
	01130-63201	No (Order E2671A accessory kit)	Header adapter	2
	01130-81506		Resistor 82 Ω full bandwidth	48
	01130-21302		160 Ω damped wire accessory	6
	01131-85201		Socket for 25 mil (25/1000 inch) square pins, 4 female on both ends	4
	01131-85202		25 mil female socket w/20 mil round male pin on other end	4
	01130-41101		Heatshrink socket accessory	4
	01131-94309		82 Ω resistor template	1
E2679A		Yes	Solder-in single-ended probe head kit	1
	01130-62101	No	Solder-in single-ended probe head	1
	01131-81510	No (Order E2672A accessory kit)	Resistor 91 Ω full bandwidth	16
	01131-81506		Resistor 150 Ω medium bandwidth	8
	01131-81504		Resistor 0 Ω ground resistor	24
	01131-94311		91 Ω resistor template	2
	01131-94308		150 Ω resistor template	2

Accessory Kits

Agilent Part Number	Consists of	Orderable?	Description	Qty
E2658A		Yes	Replacement accessories for E2675A	1
	01131-62102	No	Resistive tip for browser (blue)	20
	01131-43201	No	Ergonomic handle for browser	1

Replaceable Parts and Additional Accessories**Accessory Kits (continued)**

Agilent Part Number	Consists of	Orderable?	Description	Qty
E2663A		Yes	Replacement accessories for E2676A	1
	01130-60005	No	Ground collar assembly	2
	01131-62102	No	Resistive tip for browser (blue)	10
	01130-43202	No	Ergonomic handle for browser	1
	5063-2120	No	Socketed ground lead 6 inches	1
E2670A		Yes	Replacement accessories for E2677A	1
	01131-81510	No	Resistor 91 Ω full bandwidth	20
	01131-81506	No	Resistor 150 Ω medium bandwidth	10
	01131-94311	No	91 Ω resistor template	1
	01131-94308	No	150 Ω resistor template	1
E2671A		Yes	Replacement accessories for E2678A	1
	01130-81506	No	Resistor 82 Ω full bandwidth	48
	01130-21302	No	160 Ω damped wire accessory	6
	01131-85201	No	Socket for 25 mil (25/1000 inch) square pins, female on both ends	4
	01131-85202	No	25 mil female socket w/20 mil round male pin on other end	4
	01130-41101	No	Heatshrink socket accessory	4
	01130-63201	No	91 Ω header adapter	2
	01131-94309	No	82 Ω resistor template	1
E2672A		Yes	Replacement accessories for E2679A	1
	01131-81510	No	Resistor 91 Ω full bandwidth	16
	01131-81506	No	Resistor 150 Ω medium bandwidth	8
	01131-81504	No	Resistor 0 Ω ground resistor	24
	01131-94311	No	91 Ω resistor template	2
	01131-94308	No	150 Ω resistor template	2

Resistors

*The Agilent number below is provided as a reference (not orderable)
for you to order from the manufacturer.*

Agilent Part Number	Order From Vendor	Orderable Part Number	Description	Qty
01131-81504	AVX Components	HR01000J	Resistor for solder-in single-ended probe head (full and medium bandwidth, 0 Ω)	1
	BREL International	RMB16-000-J		
01131-81510	AVX Components	HR01910J	Resistor for solder-in single-ended probe head (full bandwidth, 91 Ω)	1
	BREL International	RMB16-910-J		
01131-81506	AVX Components	HR01151J	Resistor for solder-in differential probe head (medium bandwidth, 150 Ω)	1
	BREL International	RMB16-151-J		
01130-81506	BC Components	2312 903 08209	Resistor for socketed differential probe head (full bandwidth, 82 Ω)	1
	Vishay	SMA0204HF/ MK1HF5082R 1% A		

Other Accessories

Vendor	Part Number	Description	Qty
Cascade [®] Microtech	E2654A	EZ-Probe [®] positioner	1
Agilent	E2655A	Probe deskew and performance verification kit	1
Agilent	01131-68703	Header adapter kit for socketed differential probe head (01130-63201 10 each)	1

Characteristics and Specifications

All warranted specifications are denoted by a ¹ footnote reference number. Footnotes are located on page 18. All other characteristics are typical values.

Table 1-3

Characteristics and Specifications³

Bandwidth¹ (-3 dB)

1134A	> 7 GHz
1132A	> 5 GHz
1131A	> 3.5 GHz
1130A	> 1.5 GHz

Rise and Fall Time (10% to 90%)

1134A	60 ps
1132A	86 ps
1131A	100 ps
1130A	233 ps

Oscilloscope and Probe System

Bandwidth (-3 dB)

1134A with 54855	6 GHz
1132A with 54854	4 GHz
1131A with 54853	2.5 GHz
1131A with 54852	2 GHz
1130A with 54833	1 GHz
1130A with 54832	1 GHz

Characteristics and Specifications (continued)

Input Capacitance

C_m	0.10 pF	Model for input C is C _m is between tips and C _g is to ground for each tip
C_g	0.34 pF	
C_{diff}	0.27 pF	Differential mode capacitance (capacitance when probing a differential signal = C _m + C _g /2)
C_{se}	0.44 pF	Single-ended mode capacitance (capacitance when probing a single-ended signal = C _m + C _g)

Input Resistance

50 kΩ ±2%	Differential mode resistance
25 kΩ ±2%	Single-ended mode resistance each side to ground

Input Dynamic Range

±2.5 V Differential or single-ended

Input Common Mode Range

±6.75 V dc to 100 Hz
 ±1.25 V > 100 Hz

Maximum Signal Slew Rate (SR_{max})²



18 V/ns When probing a single-ended signal
 30 V/ns When probing a differential signal

DC Attenuation

10:1 ±3% before calibration on oscilloscope
 10:1 ±1% after calibration on oscilloscope

Zero offset error referred to input

< 30 mV before calibration on oscilloscope
 < 5 mV after calibration on oscilloscope

Offset Range

±12.0 V When probing single-ended

Offset Accuracy

< 3% of setting before calibration on oscilloscope
 < 1% of setting after calibration on oscilloscope

Noise referred to input

3.0 mVrms

Propagation Delay

6 ns

General Information
Characteristics and Specifications

Characteristics and Specifications (continued)

Maximum Input Voltage	30 V Peak, CAT I ³	Maximum non-destructive voltage on each input ground
ESD Tolerance	> 8 kV from 100 pF, 300 Ω HBM	

1 Denotes Warranted Specifications, all others are typical. Measured using the probe amp and solder-in differential probe head with full bandwidth resistor.

2 S_{rmax} of a sine wave = $Amp \times 2 \times \pi \times frequency$ or S_{Rmax} of a step $\equiv Amp \times 0.6 / trise$ (20 to 80%) for more information see Table 1-5 on page 20.

3 Values shown are for the probe amp and solder-in differential probe head with full bandwidth resistor.

CAT I and CAT II Definitions

Installation category (overvoltage category) I: Signal level, special equipment or parts of equipment, telecommunication, electronic, etc., with smaller transient overvoltages than installation category (overvoltage category) II. Installation category (overvoltage category) II: Local level, appliances, portable equipment etc., with smaller transient overvoltages than installation category (overvoltage category) III.

WEEE Compliance



This product complies with the WEEE Directive (2002/96/EC) marking requirements. The affixed label indicates that you must not discard this electrical/electronic product in domestic household waste.

Product Category: With reference to the equipment types in the WEEE Directive Annex I, this product is classed as a "Monitoring and Control Instrumentation" product.

Do not dispose in domestic household waste.

To return unwanted products, contact your local Agilent office, or see www.agilent.com for more information.

General Characteristics

The following general characteristics apply to the active probe.

Table 1-4

General Characteristics

Environmental Conditions

	Operating	Non-operating
Temperature	5 °C to +40 °C	-40 °C to +70 °C
Humidity	up to 95% relative humidity (non-condensing) at +40 °C	up to 90% relative humidity at +65 °C
Altitude	Up to 4,600 meters	Up to 15,300 meters
Power Requirements	+12 Vdc @ 11 mA -12 Vdc @ 5 mA +5 Vdc @ 28 mA -5 Vdc @ 92 mA 0.84 W	(voltages supplied by AutoProbe Interface)
Weight	approximately 0.69 kg	
Dimensions	Refer to the outline in figure 1-7.	
Pollution degree 2	Normally only non-conductive pollution occurs. Occasionally, however, a temporary conductivity caused by condensation must be expected.	
Indoor use only		

Slew Rate Requirements for Different Technologies

The following table shows the slew rates for several different technologies. The maximum allowed input slew rate is 18 V/ns for single-ended signals and 30 V/ns for differential signals. Table 1-5 shows that the maximum required slew rate for the different technologies is much less than that of the probe.

Table 1-5

Slew Rate Requirements

Name of Technology	Differential Signal	Max Single-Ended Slew Rate ¹ (V/ns)	Max Differential Slew Rate ² (V/ns)	Driver Min Edge Rate (20%-80% ps)	Max Transmitter Level (Diff V)
PCI Express (3GIO)	YES	9.6	19.2	50	1.6
RapidIO Serial 3.125Gb	YES	8.0	16.0	60	1.6
10GbE XAU1 (4x3.125Gb)	YES	8.0	16.0	60	1.6
1394b	YES	8.0	16.0	60	1.6
Fibre Channel 2125	YES	8.0	16.0	75	1
Gigabit Ethernet 1000Base-CX	YES	7.8	15.5	85	2.2
RapidIO 8/16 2Gb	YES	7.2	14.4	50	1.2
Infiniband 2.5Gb	YES	4.8	9.6	100	1.6
HyperTransport 1.6Gb	YES	4.0	8.0	113	1.5
SATA (1.5Gb)	YES	1.3	2.7	134	0.6
USB 2.0	YES	0.9	1.8	375	1.1
DDR 200/266/333	NO	7.2	n/a	300	3.6
PCI	NO	4.3	n/a	500	3.6
AGP-8X	NO	3.1	n/a	137	0.7

¹ The probe specification is 18 V/ns

² The probe specification is 30 V/ns

Resistor Dimensions

In order to make measurements with proper fidelity, the resistor leads must be trimmed to a specified length and one end bent 90 degrees as shown in figure 1-4 and figure 1-5. The resistor in figure 1-6 needs to be trimmed but does not require any bending.

Solder-in 91 Ohm and 0 Ohm Full Bandwidth Resistors

The following part number resistors must be trimmed and bent as shown in figure 1-4.

- 01131-81510 (91 Ohm)
- 01131-81504 (0 Ohm)

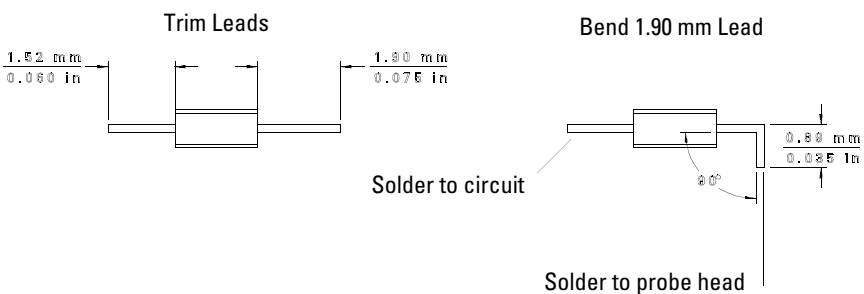
The equipment required is:

- Exacto knife
- Agilent supplied template included with resistors
- Magnifying device
- Tweezers (2)

The instructions for trimming and bending the resistor are:

- 1 Using tweezers, place resistor body inside the rectangle of the trim template.
- 2 Using the Exacto knife, trim the leads even with the trim lines.
- 3 Place resistor body inside the rectangle of the bend template.
- 4 Using another pair of tweezers, bend the 1.90 mm (0.075 in) lead 90 degrees.

Figure 1-4



General Information
Resistor Dimensions

Solder-in 150 Ohm and 0 Ohm Medium Bandwidth Resistors

The following part number resistors must be trimmed and bent as shown in figure 1-5.

- 01131-81506 (150 Ohm)
- 01131-81504 (0 Ohm)

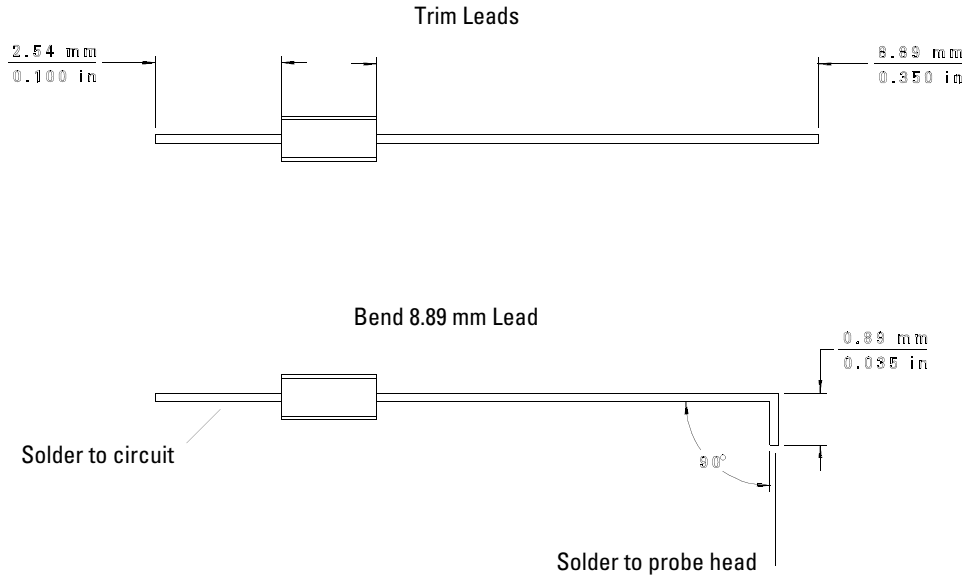
The equipment required is:

- Exacto knife
- Agilent supplied template included with resistors
- Magnifying device
- Tweezers (2)

The instructions for trimming and bending the resistor are:

- 1 Using tweezers, place resistor body inside the rectangle of the trim template.
- 2 Using the Exacto knife, trim the leads even with the trim lines.
- 3 Place resistor body inside the rectangle of the bend template.
- 4 Using another pair of tweezers, bend the 8.89 mm (0.360 in) lead 90 degrees.

Figure 1-5



82 Ohm Resistor

The following part number resistors must be trimmed as shown in figure 1-6.

- 01130-81506

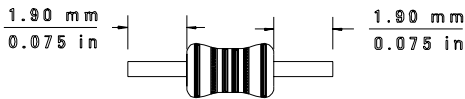
The equipment required is:

- diagonal cutters
- Agilent supplied template included with resistors
- Magnifying device
- Tweezers

The instructions for trimming the resistor are:

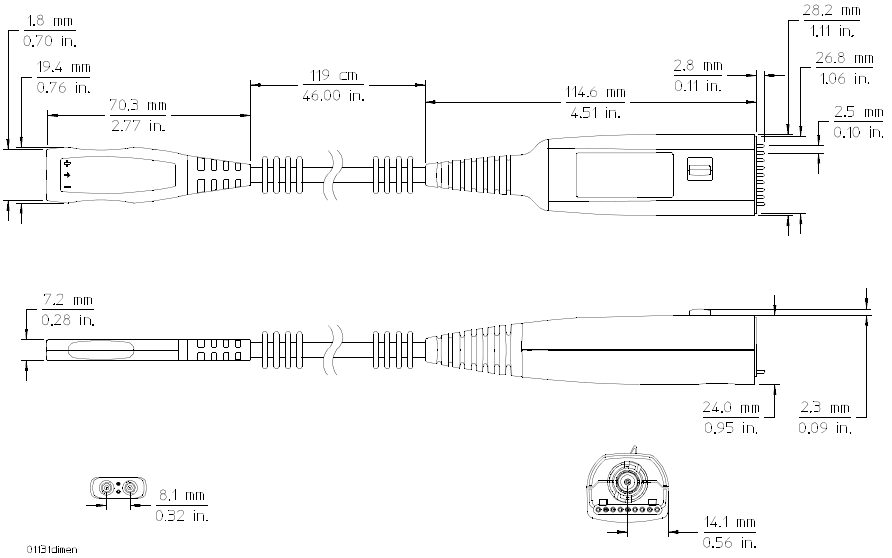
- 1 Using tweezers, place resistor body inside the rectangle of the trim template.
- 2 Using the diagonal cutters, trim the leads even with the trim lines.

Figure 1-6



Probe Dimensions

Figure 1-7



1130A, 1131A, 1132A, and 1134A Active Probe Dimensions

Calibrating the probe

The Infiniium family of oscilloscopes provides both power and offset control to the 1130A, 1131A, 1132A, and 1134A active probes through the front panel connector. Probe offset is changed by adjusting the vertical offset control on the Infiniium oscilloscope. The control should be adjusted to center your signal within the 5 volt peak-to-peak (12 volts peak-to-peak for slow signals) dynamic range of the probe.

Before using the 1130A, 1131A, 1132A, or 1134A probes, a calibration and deskew should be performed.

- 1 Connect the probe output to the oscilloscope input.**
- 2 Calibrate the oscilloscope and probe combination using the Infiniium probe calibration routine.**

When the probe has been calibrated, the dc gain, offset zero, and offset gain will be calibrated. The degree of accuracy specified at the probe tip is dependent on the oscilloscope system specifications.

Probe handling considerations

This probe has been designed to withstand a moderate amount of physical and electrical stress. However, with an active probe, the technologies necessary to achieve high performance do not allow the probe to be unbreakable. You should treat the probe with care. It can be damaged if excessive force is applied to the probe tip. This damage is considered to be abuse and will void the warranty when verified by Agilent Technologies service professionals.

- Exercise care to prevent the probe end from receiving mechanical shock.
 - Store the probe in a shock-resistant case such as the foam-lined shipping case which came with the probe.
-

Cleaning the probe

If the probe requires cleaning, disconnect it from the oscilloscope and clean it with a soft cloth dampened with a mild soap and water solution. Make sure the probe is completely dry before reconnecting it to the oscilloscope.

Replacing the Mini-axial Lead Resistors on Solder-In Tips

When the leads of the mini-axial resistors become damaged or break off due to use, the resistors can be replaced. The recommended equipment and procedure for replacing the resistors is outlined below.

Table 1-6

Equipment

Vice or clamp for holding tip

Metcal STTC-022 (600 °C) or STTC-122(700 °C) tip soldering iron or equivalent. The 600 °C tip will help limit burning of the FR4 tip PC board.

0.381 mm (0.015 in) diameter RMA flux standard tin/lead solder wire

Fine stainless steel tweezers

Rosin flux pencil, RMA type (Kester #186 or equivalent)

Diagonal cutters

Magnifier or low power microscope

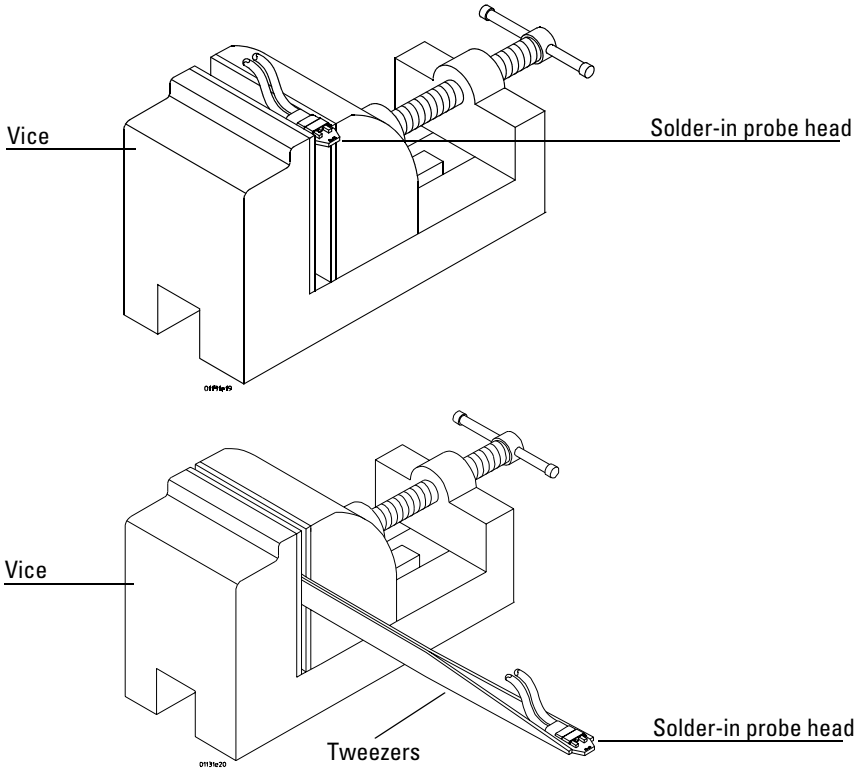
Ruler

Soldering Procedure

- 1 Use the vice or clamp to position the tip an inch or so off the work surface for easy access. If using a vice, grip the tip on the sides with light force. If using a tweezers clamp, grip the tip either on the sides or top and bottom. See figure 1-8.

CAUTION When tightening the vice, use light force to avoid damaging the solder-in probe head.

Figure 1-8



- 2 Make sure soldering iron tip is free of excess solder. Grab each resistor lead or body with tweezers and pull very gently up. Touch the soldering iron to solder joint just long enough for the resistor to come free of the tip pc board. Do not keep the soldering iron in contact with the tip any longer than necessary in order to limit burning and damage to the pc board. This solder joint has very low thermal mass so it should not take very long for the joint to melt and release.

Replacing the Mini-axial Lead Resistors on Solder-In Tips

- 3 Prepare the mounting hole(s) for new resistors by insuring that the holes are filled with solder. If they are not, use the soldering iron and solder to fill the holes. Again, do not leave the iron in contact with the tip any longer than necessary. When the hole(s) are filled with solder use the flux pencil to coat the solder joint area with flux.
- 4 Prepare the mini-axial lead resistor for attachment to tip pc board. See “Resistor Dimensions” on page 1-21 for dimensions and directions on preparing resistor leads. Lead to be attached to tip pc board will have a 90 degree bend to go into through hole in the tip pc board.
- 5 Holding the resistor lead in one hand and soldering iron in the other, position the end of the resistor lead (after the 90 degree bend) over the solder filled hole. Touch the soldering iron to the side of the hole. When the solder in the hole melts, the resistor lead will fall into the hole. Remove soldering iron as soon as lead falls into the hole. Again, the thermal mass of the joint is very small so extra dwell time is not needed with the soldering iron to insure a good joint.

Tips for Using Solder-In Probe Heads

- Don't solder in resistors leads with a big ball of solder right next to the resistor body. Normally the nickel lead will limit the heat transfer to the resistor body and protect the resistor, but if a ball of solder is right next to the resistor body on the lead, the resistor may come apart internally and ruin the resistor.
- When soldering in leads to DUT always use plenty of flux. The flux will insure a good, strong solder joint without having to use an excessive amount of solder.
- Don't use the wrong value of resistor at the wrong length. See “Resistor Dimensions” on page 1-21 for dimensions and directions on preparing resistor leads.
- Make sure the zero ohm resistor is used for ground leads on the single-ended probe head.
- Strain relieve the micro coax leading away from the solder-in tips using hook-and-loop fasteners or adhesive tape to protect delicate connections.
- Note that for the differential solder-in probe head, the + and - connection can be determined when the probe head is plugged into the probe amplifier, so which way the tip is soldered in is not important.

Using Probe Accessories

The 1130A, 1131A, 1132A, and 1134A active probes come with a CD-ROM which contains more in-depth information about connecting the probe to your circuit.

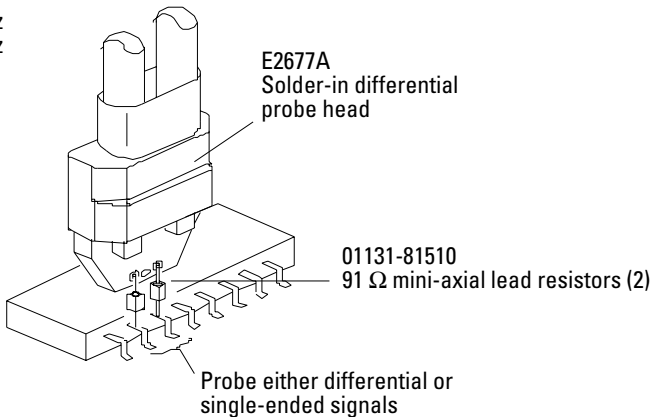
The probe configurations shown in this section are the ones recommended for the best performance for different probing situations.

Solder-in Differential Probe Head (Full Bandwidth)

This probe configuration provides the full bandwidth signals and the lowest capacitive loading for measuring both single-ended and differential signals. The probe head resistors must be soldered to the circuit that you are measuring. Because of the small size of the resistor leads, it is easy to solder them to very small geometry circuits.

Figure 1-9

1130A > 1.5 GHz
1131A > 3.5 GHz
1132A > 5 GHz
1134A > 7 GHz



911318510

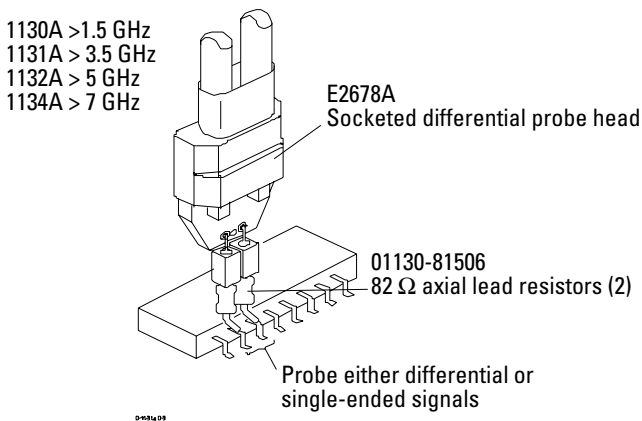
Solder-in Differential Probe Head (Full Bandwidth)

Socketed Differential Probe Head (Full Bandwidth)

This probe configuration provides the full bandwidth signals and minimal capacitive loading for measuring both single-ended and differential signals. The $82\ \Omega$ axial lead resistors are soldered to the circuit that you are measuring. The socketed differential probe head is plugged on to the resistors. This makes it easier to move the probe from one location to another. Because of the larger size of the resistor leads, the target for soldering must be larger than the solder-in probe heads.

The spacing for the socketed tip differential probe head is 0.100 inch (2.54 mm). If the resistors are to be soldered onto a PC board, the targets on the board should be two vias that can accept the 0.020 inch (0.508 mm) diameter resistor leads. A via of 0.025 inch (0.635 mm) diameter is recommended. If soldering a resistor lead to a surface pad on your PC board, the resistor leads can be bent in an "L" shape and soldered down. A pad size of at least 0.030 x 0.030 inch (0.762 mm x 0.762 mm) is recommended.

Figure 1-10



Socketed Differential Probe Head (Full Bandwidth)

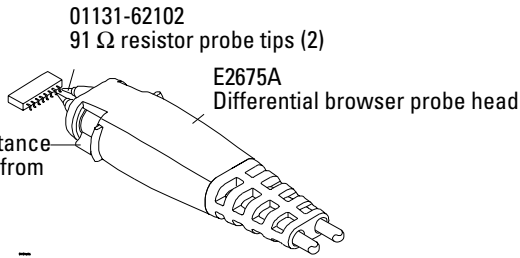
Differential Browser

The differential browser configuration is the best choice for general purpose troubleshooting of a circuit board. The tab on the side of the probe allows the probe tips to be adjusted for different circuit geometries.

Figure 1-11

- 1130A > 1.5 GHz
- 1131A \cong 3.5 GHz
- 1132A \cong 5 GHz
- 1134A \cong 6 GHz

Tab to adjust the distance between probe tips from 0.51 mm to ~5.8 mm



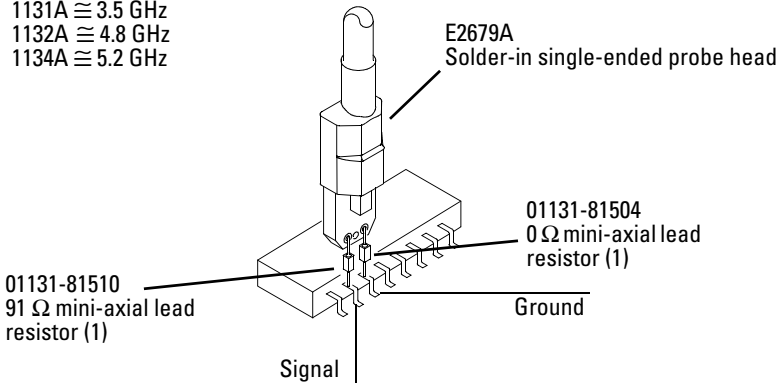
Differential Browser

Solder-in Single-ended Probe Head (Full Bandwidth)

This probe configuration provides good bandwidth measurements of single-ended signals with a probe head that is physically very small. The probe head resistors must be soldered to the circuit that you are measuring. Because of the small size of the resistor leads, it is easy to solder them to very small geometry circuits.

Figure 1-12

- 1130A > 1.5 GHz
- 1131A \cong 3.5 GHz
- 1132A \cong 4.8 GHz
- 1134A \cong 5.2 GHz



0193405

Solder-in Single-ended Probe Head

General Information
Using Probe Accessories

Single-ended Browser

The single-ended browser is a good choice for general purpose probing of single-ended signals when physical size is critical.

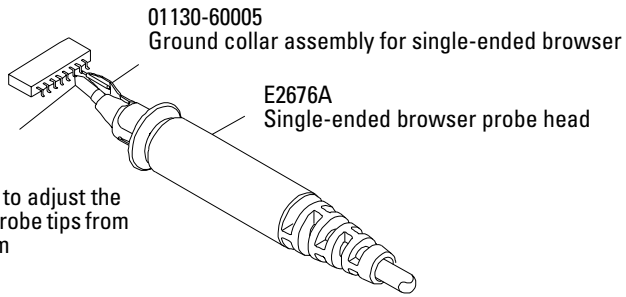
For wider span, non-performance critical browsing (rise times greater than ~0.5 ns), the 5063-2120 socketed ground lead can be used in place of the 01130-60005 ground collar.

Figure 1-13

- 1130A > 1.5 GHz
- 1131A \cong 3.5 GHz
- 1132A \cong 4.8 GHz
- 1134A \cong 5.5 GHz

01131-62102
91 Ω resistor probe
tip

Twist ground collar to adjust the
distance between probe tips from
~0.25 mm to ~5.8 mm



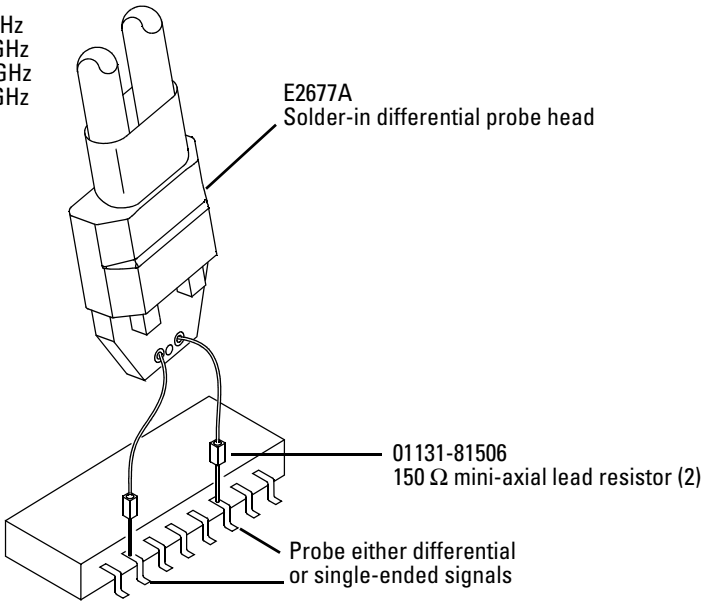
Single-ended Browser

Solder-in Differential Probe Head (Medium Bandwidth)

This probe configuration provides medium bandwidth measurements of differential or single-ended signals. The longer resistor length allows connection to widely spaced points or points in tight areas. The probe head resistors must be soldered to the circuit that you are measuring. Because of the small size of the resistor leads, it is easy to solder them to very small geometry circuits. This configuration can probe circuit points that are farther apart than the full bandwidth configurations.

Figure 1-14

1130A > 1.5 GHz
1131A \cong 2.9 GHz
1132A \cong 2.9 GHz
1134A \cong 2.9 GHz

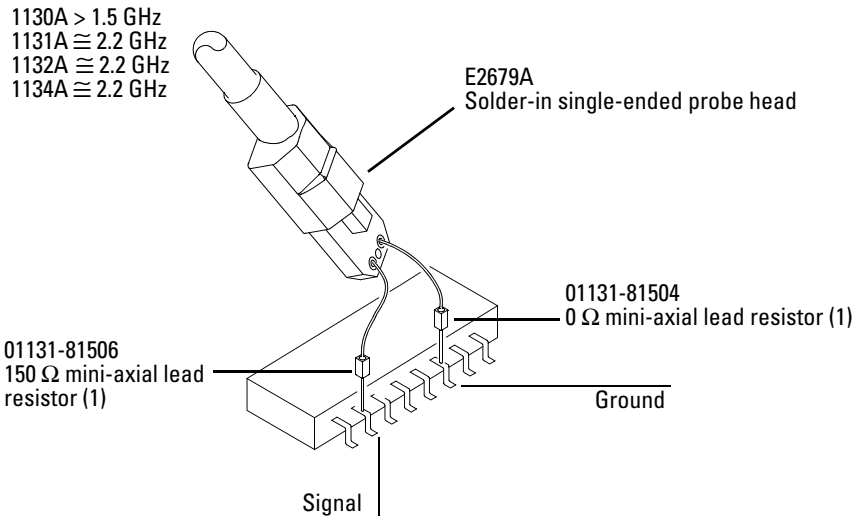


Solder-in Differential Probe Head (Medium Bandwidth)

Solder-in Single-ended Probe Head (Medium Bandwidth)

This probe configuration provides medium bandwidth measurements of single-ended signals. The longer resistor lead length allows connection to widely spaced points or points in tight areas. The probe head resistors must be soldered to the circuit that you are measuring. Because of the small size of the resistor leads, it is easy to solder them to very small geometry circuits. This configuration can probe circuit points that are farther apart than the full bandwidth configurations.

Figure 1-15



Solder-in Single-ended Probe Head (Medium Bandwidth)

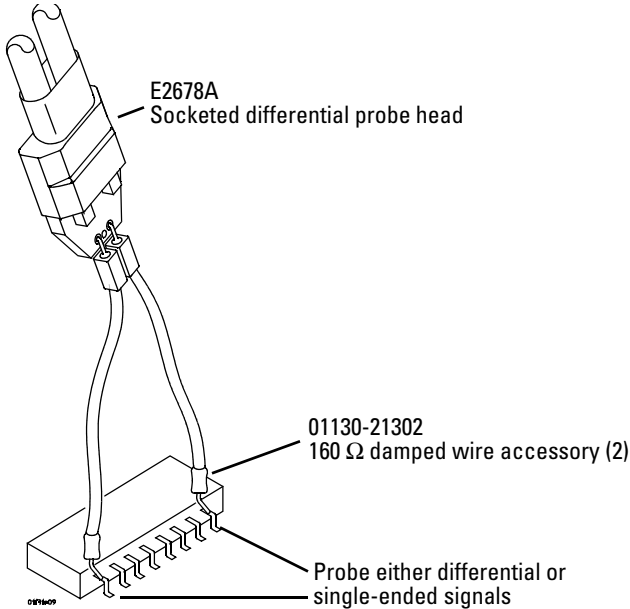
Socketed Differential Probe Head with Damped Wire Accessory

This probe configuration provides maximum connection reach and flexibility with good signal fidelity but lower bandwidth for measuring differential or single-ended signals. The damped wires must be soldered to the circuit that you are measuring. This configuration can probe circuit points that are farther apart than other configurations.

To adapt the 01130-21302 damped wire accessory from solder-in to plug-on, solder the tip into the 01131-85201 square pin socket and then slip the 01131-41101 heat-shrink sleeve over the solder joint and heat the heat-shrink tubing with a heat gun. This allows the damped wire accessories to be used to plug onto 25 mil square pins.

Figure 1-16

- 1130A \cong 1 GHz
- 1131A \cong 1.2 GHz
- 1132A \cong 1.2 GHz
- 1134A \cong 1.2 GHz



Socketed Differential Probe Head with Damped Wire Accessory

Socketed Differential Probe Head with Header Adapter

This probe configuration can be used to connect to 25 mil square pin headers with 100 mil spacing such as those used in USB testing. The header adapter is recommended for use with the 1130A and 1131A InfiniiMax probes. If the header adapter is used with higher bandwidth probe amps such as the 1132A (5 GHz) or the 1134A (7GHz), the rise time of the input signal should be slower than ~150 ps (10% to 90%) to limit the effects of resonances in the adapter.

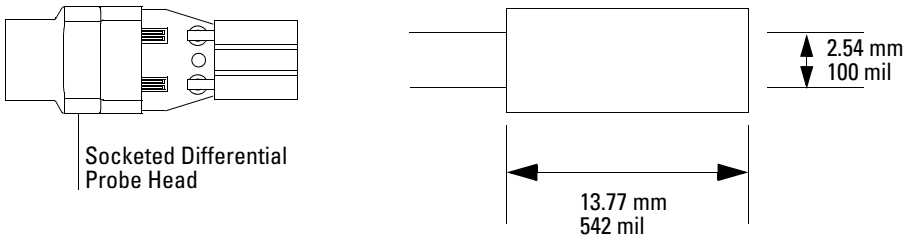
All of the specifications and characteristics of the header adapter are the same as those for the Socketed Differential Probe Head except for the input capacitance shown in the following table.

Table 1-7

Characteristic Capacitance

C_m	0.43 pF	Model for input C is C_m between the tips and C_g to ground each tip
C_g	0.54 pF	
C_{diff}	0.70 pF	Diff mode capacitance is $C_m + C_g/2$
C_{se}	0.97 pF	Se mode capacitance is $C_m + C_g$

Figure 1-17



Header Adapter Dimensions

Servicing the Probe

For information on servicing the 1130A, 1131A, 1132A, and 1134A probes and for verifying probe performance there are Adobe Acrobat files on the CD-ROM that comes with your probe.

General Information
Servicing the Probe

Index

A

accessories
 additional 12
 damped wire 35
 differential connectivity 8
 other 15
 single-ended connectivity 10
 supplied 7
 using 29
accessory kits 13
altitude 19
attenuation 17

B

bandwidth, specification 16
browser, differential 31
browser, single-ended 32

C

calibration, probe with oscilloscope 25
CAT definitions 18
characteristics 16, 19
cleaning the instrument 41
cleaning the probe 25
connectivity kits 12

D

damped wire accessory 35
definitions, CAT 18
differential browser 31
differential connectivity kit 8
differential probe head 29, 30, 33, 35, 36
dimensions 19
 probe amp 24
 resistor 21

E

E2668A single-ended connectivity kit 10
E2669A differential connectivity kit 8
environmental conditions 19
ESD tolerance 18

F

full bandwidth probe 29, 30, 31

G

general characteristics 19

H

header adapter 36
humidity 19

I

input characteristics 17
inspecting probe 6

K

kits
 accessory 13
 connectivity 12
 probe head 12

M

medium bandwidth 33, 34

N

noise 17

O

offset characteristics 17
operating environment 19
ordering resistors 15
other accessories 15

P

parts, replaceable 12
pollution degree 19
power requirements 19
probe
 cleaning 25
 dimensions 24
 handling 25
 inspection 6
 servicing 37
 using 25, 29
 using accessories 29
probe head kits 12

R

- replaceable parts 12
- replacing resistors 26
- resistor
 - dimensions 21
- resistors
 - cutting 9, 11
 - ordering 15
 - performance 9, 11
 - replacing 26
- rise and fall time 16

S

- service 37
- single-ended browser 32
- single-ended connectivity kit 10
- single-ended probe head 31, 34
- slew rate requirements 20
- socketed differential probe 30, 35, 36
- solder-in differential 29
- solder-in differential probe 33
- solder-in single-ended probe 31, 34
- solder-in tips 26
- soldering procedure 26
- specifications 16

T

- temperature 19
- trimming the resistors 21

U

- using probe accessories 29

W

- WEEE compliance 18
- weight 19

Safety Notices

This apparatus has been designed and tested in accordance with IEC Publication 1010, Safety Requirements for Measuring Apparatus, and has been supplied in a safe condition. This is a Safety Class I instrument (provided with terminal for protective earthing). Before applying power, verify that the correct safety precautions are taken (see the following warnings). In addition, note the external markings on the instrument that are described under "Safety Symbols."

Warnings

- Before turning on the instrument, you must connect the protective earth terminal of the instrument to the protective conductor of the (mains) power cord. The mains plug shall only be inserted in a socket outlet provided with a protective earth contact. You must not negate the protective action by using an extension cord (power cable) without a protective conductor (grounding). Grounding one conductor of a two-conductor outlet is not sufficient protection.
- Only fuses with the required rated current, voltage, and specified type (normal blow, time delay, etc.) should be used. Do not use repaired fuses or short-circuited fuseholders. To do so could cause a shock or fire hazard.

- If you energize this instrument by an auto transformer (for voltage reduction or mains isolation), the common terminal must be connected to the earth terminal of the power source.

- Whenever it is likely that the ground protection is impaired, you must make the instrument inoperative and secure it against any unintended operation.

- Service instructions are for trained service personnel. To avoid dangerous electric shock, do not perform any service unless qualified to do so. Do not attempt internal service or adjustment unless another person, capable of rendering first aid and resuscitation, is present.

- Do not install substitute parts or perform any unauthorized modification to the instrument.

- Capacitors inside the instrument may retain a charge even if the instrument is disconnected from its source of supply.

- Do not operate the instrument in the presence of flammable gasses or fumes. Operation of any electrical instrument in such an environment constitutes a definite safety hazard.

- Do not use the instrument in a manner not specified by the manufacturer.

To clean the instrument

If the instrument requires cleaning: (1) Remove power from the instrument. (2) Clean the external surfaces of the instrument with a soft

cloth dampened with a mixture of mild detergent and water. (3) Make sure that the instrument is completely dry before reconnecting it to a power source.

Safety Symbols



Instruction manual symbol: the product is marked with this symbol when it is necessary for you to refer to the instruction manual in order to protect against damage to the product.



Hazardous voltage symbol.



Earth terminal symbol: Used to indicate a circuit common connected to grounded chassis.

Notices

© Agilent Technologies, Inc. 2002-2006

No part of this manual may be reproduced in any form or by any means (including electronic storage and retrieval or translation into a foreign language) without prior agreement and written consent from Agilent Technologies, Inc. as governed by United States and international copyright laws.

Manual Part Number

01134-97010, July 2006

Print History

01134-97010, July 2006
01134-97008, May 2004
01134-97006, Sept. 2003
01134-97005, July 2003
01134-97002, Jan. 2003
01134-97000, Nov. 2002

Agilent Technologies, Inc.
1601 California Street
Palo Alto, CA 94304 USA

Restricted Rights Legend

If software is for use in the performance of a U.S. Government prime contract or subcontract, Software is delivered and licensed as "Commercial computer software" as defined in DFAR 252.227-7014 (June 1995), or as a "commercial item" as defined in FAR 2.101(a) or as "Restricted computer software" as defined in FAR 52.227-19 (June 1987) or any equivalent agency regulation or contract clause. Use, duplication or disclosure of Software is subject to Agilent Technologies' standard commercial license terms, and non-DOD Departments and Agencies of the U.S. Government will receive no greater than Restricted Rights as defined in FAR

52.227-19(c)(1-2) (June 1987). U.S. Government users will receive no greater than Limited Rights as defined in FAR 52.227-14 (June 1987) or DFAR 252.227-7015 (b)(2) (November 1995), as applicable in any technical data.

Document Warranty

The material contained in this document is provided "as is," and is subject to being changed, without notice, in future editions. Further, to the maximum extent permitted by applicable law, Agilent disclaims all warranties, either express or implied, with regard to this manual and any information contained herein, including but not limited to the implied warranties of merchantability and fitness for a particular purpose. Agilent shall not be liable for errors or for incidental or consequential damages in connection with the furnishing, use, or performance of this document or of any information contained herein. Should Agilent and the user have a separate written agreement with warranty terms covering the material in this document that conflict with these terms, the warranty terms in the separate agreement shall control.

Technology Licenses

The hardware and/or software described in this document are furnished under a license and may be used or copied only in accordance with the terms of such license.

Trademark Acknowledgements

Adobe, the Adobe Logo, Acrobat and the Acrobat Logo are trademarks of Adobe Systems Incorporated.

Velcro is a registered trade mark of Velcro Industries B.V.

WARNING

A WARNING notice denotes a hazard. It calls attention to an operating procedure, practice, or the like that, if not correctly performed or adhered to, could result in personal injury or death. Do not proceed beyond a WARNING notice until the indicated conditions are fully understood and met.

CAUTION

A CAUTION notice denotes a hazard. It calls attention to an operating procedure, practice, or the like that, if not correctly performed or adhered to, could result in damage to the product or loss of important data. Do not proceed beyond a CAUTION notice until the indicated conditions are fully understood and met.



Agilent Technologies

Agilent Technologies
Printed in Malaysia
Manual Part Number
01134-97010

