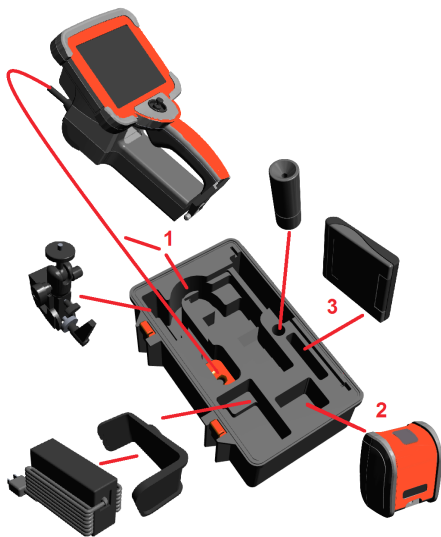


Unpacking the Visual iQ System

1 – The insertion tube (shown in red for clarity) is held in the case's internal storage reel, which is accessed through the orange funnel. Install the insertion tube before installing the probe-and-handset assembly and remove it after removing the probe-and-handset assembly. Be sure to straighten any loops or twists in the insertion tube before feeding it into the funnel. Note that the insertion tube's rubber Torsional Strain Relief base should be routed through the case's curved passage.

2 – Battery must be removed prior to installing the iQ in the case.

3 – A case holding tips (or cleaning kit) fits in this slot.



⚠ **Caution:** Before using the camera system, always install an optical tip or the head guard.

Installing the Battery

Note: All batteries are shipped with a partial charge. Batteries should be fully charged prior to use.

Insert the battery into the handset. The battery is installed properly when the latching mechanism is engaged. Do not force the battery (4) into the handset (5), as damage may occur. The battery is keyed and may only be installed in the proper orientation.

Removing the Battery

Press battery release button (6) to release the battery.

Battery Charge Level

Check the battery charge by pressing the battery symbol (7) on the front of the battery. Each light (8) represents approximately 20% of the battery charge capacity. Connect the DC output of the battery charger into the Visual iQ battery (9) and then plug the included AC to DC power adaptor into a suitable AC power source. The LED battery lights will illuminate according to the amount of charge attained and will turn off when fully charged. The system may operate while charging.



⚠ **Caution:** Do not remove the battery while the system is operating.

Attaching and Removing the Probe and Optical Tips

10 – Insert the pin at the base of the handset into the mating groove at the bottom of the probe.

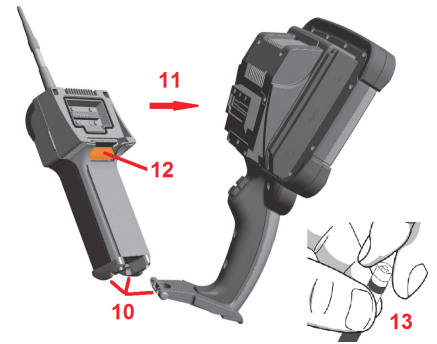
11 – Rotate the probe towards the back of the handset, applying enough pressure for the latching mechanism to “click.”

12 – Press this latching-mechanic's release button to separate the probe and handset.

13 – Optical tips are threaded onto the probe with a double set of threads to prevent them from falling into the inspection area.


To Attach an Optical Tip:


Verify that the optical tip and camera head threads are clean, then grasp the head of the probe with one hand, and with the other gently turn the tip clockwise. Turn until it spins freely, indicating that it has cleared the first set of threads. Gently push the tip in, then turn clockwise again, engaging the second set of threads. Turn until finger tight.

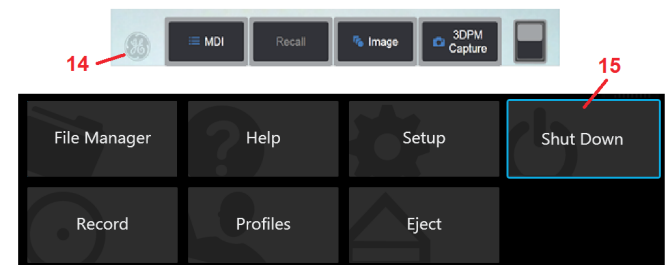


⚠ **Caution:** Use only finger pressure to remove or attach tips. Using force (including pliers or other tools) might damage the bending neck. Take care not to cross the threads. To reduce cross-threading risk: When installing a tip by hand (6.1mm & 8.4mm) or with an installation tool (4mm), rotate the tip counter clockwise to level the threads before rotating clockwise to thread the tip on the camera. Reverse the leveling process when removing tips.

Powering the Visual iQ On and Off

Press and hold  until the unit turns on. The buttons and Liquid Crystal Display (LCD) will light and begin the power-up sequence. After approximately 45 seconds, the system screen will display live video and on-screen controls. The system is now ready for use.

Touch the lower left corner of the display screen (which typically contains the on-screen **GE Logo** (14) or the  hard key at any time to open or close the **Global Menu**, which provides access to several features including **Shut Down** (15). Select **Shut Down** to power off the Visual iQ.





Quick Start Guide

1 – LCD Touchscreen

2 – DisplayPort Output (2.1), USB 3.0 Client Micro B Port (2.2), Two USB 3.0 Host Type A Ports (2.3), 3.5 mm Headset/Microphone Jack (2.4).

Accomplish most actions using either the touchscreen OR key presses and joystick movements.

3 – Touch the lower left corner of the display screen to open the **Global Menu**. The selected item in any menu or list is identified by this **blue outline**. Tap the display screen to select another item or to launch the selected item. Alternatively, use the **joystick** to select another item by moving the blue cursor, then short-press the **Enter key** to launch. **Note that a short press of the Enter key accepts or launches most selected choices or actions.**

4 – Tap the display to toggle between the upper and lower softkey bar (double-tap to hide or show the softkey and status bars).

5 – Tap anywhere on a displayed **Live Image** to freeze and unfreeze it. Position two fingers on the display screen and move them apart to zoom in on a feature of the display (perform the opposite action to zoom out).

6 – Select any feature in the **Soft Key Bar** by either touching that feature on the display screen (for instance, touching the box containing the term **Zoom**) or pressing the corresponding **soft key**.

7 – Two-hour Lithium Ion Battery

8 – Back Key: short press moves back one screen, long press for live screen. Also use to **POWER ON**.

9 – Save Key: short press launches a **Quick Save**, long press opens or closes the **Save Options Menu**.

10 – Joystick Controls Articulation and Menu Navigation (push the joystick left/right/up/down to navigate menus and sub-menus).

11 – Enter Key: short press toggles between frozen and live frames and selects **Done / Accept**, a long press performs a **3DPM Capture**.

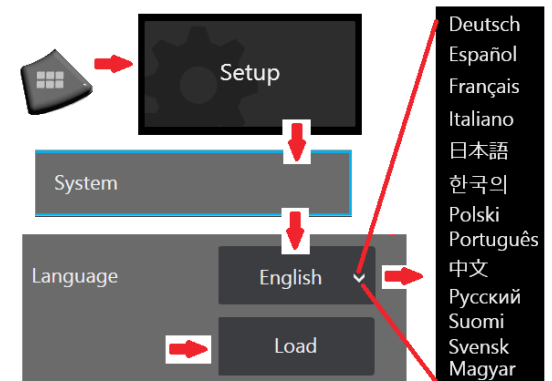
12 – Menu Key: short press opens or closes the Global Menu, long press toggles between first and second level soft button rows.

13 – Trigger Key 1 (Upper): provides the same function as the Enter Key. Trigger Key 2 (Lower): short press toggles the articulation mode between steer-and-stay mode and steering mode. When in steer-and-stay mode a lock icon appears. A long press returns the articulation system to the neutral (home) position.

14 – Interchangeable VideoProbe (**Note:** Includes Insertion Tube/Camera assembly)

Selecting the Operating Language

Follow the selection sequence shown here to navigate the Global Menu and select the Operating Language.



Master
Password Label

Windows Lisc.
Label