



**Advanced Test Equipment Rentals**  
**www.atecorp.com 800-404-ATEC (2832)**



## OPERATION MANUAL

Date: 01/22/07

Revision: 1

### **This manual covers:**

SPS 1.2kW & 1.5kW Series Programmable DC Switching Power Supplies

V-Panel Version

AMERICAN RELIANCE, INC.  
3445 Fletcher Ave., El Monte, CA 91731  
Ph: (626) 443-6818 E-mail: [ariinfo@amrel.com](mailto:ariinfo@amrel.com)  
Website: [www.amrel.com](http://www.amrel.com)



---

## ***WARRANTY INFORMATION***

### **CERTIFICATION**

American Reliance certifies that this product met its published specifications at time of shipment from the factory.

### **THREE-YEAR LIMITED WARRANTY**

American Reliance warrants to the original user or purchaser that your unit is free from any defects in material or workmanship for a period of three years from the date of purchase. If any defect is discovered within the warranty period, American Reliance will repair or replace the unit, subject to verification of the defect or malfunction, upon delivery or prepaid shipment to American Reliance.

### **IMPORTANT:**

- (1) Unless a problem is discovered upon initial inspection after purchase of the unit, please do not return the product to the distributor where it was purchased. American Reliance Inc. accepts the responsibility of keeping the customer satisfied.**
- (2) If the customer's product requires troubleshooting, warranty service or need a RMA number for return, contact your merchant. Or if you are unable to contact your merchant, or the merchant is unable to provide service, contact American Reliance Inc. directly at:**

<b>Phone:</b>	<b>626-443-6818</b>
<b>Toll Free #:</b>	<b>1-800-654-9838</b>
<b>Fax:</b>	<b>626-443-8600</b>
<b>Email:</b>	<b><a href="mailto:ariinfo@amrel.com">ariinfo@amrel.com</a></b>

This warranty does not apply to defects or to physical damage resulting from abuse, neglect, accident, improper repair, alteration, or unreasonable use of the unit, resulting in (but not limited to) cracked or broken cases or parts, or to units damaged by excessive heat. Except upon initial purchase, this warranty does not cover finish or appearance items nor does it cover items damaged in shipment to American Reliance for repair or calibration. American Reliance assumes no responsibility for shipping and handling. However, repaired units will be shipped back to the customer with return shipping charges paid by American Reliance.

To receive service under this warranty, you must include proof of purchase; including date and place of purchase (a copy of your purchase receipt) or American Reliance will not be responsible for repairs or replacement of the unit under warranty.

Any applicable implied warranties, including warranties of merchantable and fitness for a particular use, are hereby limited to three years from the date of purchase. Consequential or incidental damages resulting from loss of use, or from a breach of any applicable express or implied warranties are hereby excluded.

This warranty is in lieu of all other agreements and warranties, general or specific, express or implied. No representative or person is authorized to assume for American Reliance any other liability in connection with the sale or use of this American Reliance product. Some states do not allow limitations on how long implied warranties last and do not allow exclusion of incidental or consequential damages, so the above limitations and exclusions may not apply to the customer. This warranty gives the customer specific legal rights, which may vary from state to state.

**NON-WARRANTY SERVICE**

Any American Reliance out-of-warranty instrument that is thought to be defective, but is repairable, may be sent in for non-warranty service. Please contact our service department at (800) 654-9838 for current repair charges.

Instrument to American Reliance, should follow the instruction under the heading "Shipping Instructions" in this section.

**EXCLUSIVE REMEDIES**

Remedies provided herein are the customer’s sole and exclusive remedies. American Reliance Inc. shall not be liable for any direct, indirect, special, incidental, or consequential damages, whether based on contract, tort, or any legal theory.

**RMA RETURNS**

Products returned for warranty and non-warranty service to American Reliance must be shipped, freight prepaid (COD will not be accepted).

**American Reliance Inc.**  
**3445 Fletcher Ave**  
**El Monte, CA 91731**  
**Attn: RMA # \_\_\_\_\_**

- *Please call our service department at 1-800-654-9838 to obtain a return authorization (RMA #) from AMREL before returning any product.*

The instrument must be carefully packed, preferably in its original carton, and should be accompanied by a letter or note containing the following information:

User's Name	Proof of Purchase
User's Address	Description of problem
Model number	Serial number

If service is desired, such as calibration, it must be stated in the enclosed letter. For non-warranty repairs, and for calibration, the correct service charge must accompany the unit in the form of a check or money order payable to American Reliance Inc. Please do not send cash. Contact our service department at (800) 654-9838. American Reliance will return the serviced instrument, with freight paid by American Reliance, via UPS ground service unless otherwise requested.

**\*NOTE: ALL INSTRUMENTS WHICH ARE RETURNED FOR REPAIR OR CALIBRATION MUST HAVE AN ASSIGNED R.M.A. NUMBER WRITTEN ON THE FRONT OF THE PACKAGE. THIS NUMBER MAY BE OBTAINED BY OUR SERVICE DEPARTMENT. ANY INSTRUMENT DELIVERED WITHOUT THIS NUMBER WILL BE REFUSED, AND RETURNED.**

---

## ***SAFETY SUMMARY***

<NOTE>: The following general safety precautions must be observed during all phases of operation of this instrument. Failure to comply with these precautions or with specific warnings elsewhere in this manual violates safety standards of design, manufacture, and intended use of the instrument. American Reliance Inc. assumes no liability for the customer's failure to comply with these requirements.

### **WARNING**

Servicing instructions are for use by service-trained personnel. To avoid dangerous electrical shock, do not perform any servicing unless you are qualified to do so. Some procedures described in this manual are performed with power supplied to the instrument while its protective covers are removed. If contacted, the energy available at many points may result in personal injury.

### **ENVIRONMENTAL CONDITIONS**

This instrument is intended for indoor use in an installation category II, pollution degree 2 environment. It is designed to operate at maximum relative humidity of 95% and at altitudes of up to 2000 meters. Refer to the specifications for the ac mains voltage requirements and ambient operating temperature range.

### **BEFORE APPLYING POWER**

Verify that the product is set to match the available line voltage, the correct line fuse is installed, and all safety precautions are taken.

### **GROUND THE INSTRUMENT**

Before switching on the instrument, the protective earth terminal of the instrument must be connected to the protective conductor of the main power cord. The mains plug shall be inserted only in an outlet socket that is provided with a protective earth contact. This protective action must not be negated by the use of an extension cord that is without a protective conductor. Any interruption of the protective grounding or disconnection of the protective earth terminal will cause a potential shock hazard that could result in personal injury.

### **FUSES**

Only fuses with the required rated current, voltage, and specified type should be used. Do not use repaired fuses or short-circuited fuseholders. To do so could cause a shock or fire hazard.

### **AVOID ACCESS TO LIVE CIRCUITS**

Operating personnel must not remove the instrument cover. Component replacement and internal adjustments must be made by qualified service personnel. Do not replace components with power cable connected. Under certain conditions, dangerous voltage may exist even with the power cable removed. To avoid injuries, always disconnect the power, discharge circuits and remove external voltage sources before touching components.

### **DO NOT TROUBLESHOOT ALONE**

Do not attempt internal service or adjustment unless another person, capable of rendering first aid and resuscitation, is present. Any adjustment, maintenance, and repair of this instrument while it is opened and under voltage should be avoided as much as possible. When this is unavoidable, such adjustment, maintenance, and repair should be carried out only by a skilled person who are aware of the hazard involved should carry out the adjustment, maintenance, and repair.

### **DO NOT SUBSTITUTE PARTS OR MODIFY THE INSTRUMENT**


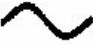
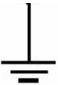


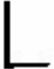




Because of the danger of introducing additional hazards, do not install substitute parts or perform an unauthorized modification to the instrument. Return the instrument to an American Reliance Service Department for service and repair to ensure that safety features are maintained.

# SAFETY SYMBOLS

**WARNING** The WARNING sign denotes a hazard. It calls attention to a procedure, practice, or the like, which, if not correctly performed or adhered to, could result in personal injury. Do not proceed beyond a WARNING sign until the indicated conditions are fully understood and met.

**CAUTION** The CAUTION sign denotes a hazard. It calls attention to an operating procedure, or the like, which, if not correctly performed or adhered to, could result in damage to or destruction of part or all of the products. Do not proceed beyond a CAUTION sign until the indicated conditions are fully understood and met.

## SAFETY SYMBOL DEFINITIONS

Symbol	Description
	Direct current.
	Alternating current.
	Earth (ground) terminal.
	Protective earth (ground) terminal.
	Terminal for Neutral conductor on permanently installed equipment.
	Terminal for Line conductor on permanently installed equipment.
	Standby (supply) Units with this symbol are not completely disconnect from ac mains, either disconnect the power cord or have a qualified electrician install an external switch.
	Caution, risk of electric shock.
	Caution, hot surface.
	Caution (refer to accompanying documents).

# TABLE OF CONTENTS

<b>ONE: FEATURES AND SPECIFICATION</b>	<b>1-1</b>
INTRODUCTION	1-1
FEATURES AND OPTIONS	1-1
FRONT PANEL CONTROLS	1-2
FRONT PANEL FEATURES	1-2
SETTING VOLTAGE (VOUT) & OVER-VOLTAGE (OV)	1-3
SETTING CURRENT (ISET) & OVER-CURRENT (OC)	1-3
FINE TUNE	1-4
OUTPUT ON/OFF	1-4
REMOTE INDICATOR	1-4
REAR PANEL CONNECTORS & SWITCHES	1-5
REAR PANEL FEATURES	1-5
GPIB ADDRESS SWITCH	1-6
CHANNEL ADDRESS SWITCH	1-6
REMOTE SENSE	1-7
REMOTE SENSE CONFIGURATION (DC OUTPUT CONNECTOR)	1-7
REMOTE SENSE CHARACTERISTICS	1-8
LOAD CONSIDERATION AND MULTIPLE LOADS CONNECTION	1-8
SPECIFICATION FOR SPS SERIES	1-9
OUTPUT TERMINALS AND WIRES	1-16
OPERATING CHARACTERISTIC AND CONFIGURATIONS	1-16
DIMENSIONAL DRAWINGS	1-17
<b>TWO: INSTALLATION</b>	<b>2-1</b>
INTRODUCTION	2-1
BASIC SET UP PROCEDURE	2-1
INSPECTION, CLEANING, AND PACKAGING	2-2
RETURNING POWER SUPPLIES TO THE MANUFACTURE	2-2
PACKAGING FOR SHIPPING OR STORAGE	2-3
LOCATION, MOUNTING, AND VENTILATION	2-4
FUSE REPLACEMENT	2-4
AC INPUT POWER CONNECTION	2-5
AC INPUT CONNECTOR	2-5
AC INPUT CORD	2-6
LOAD WIRING	2-6
LOAD WIRING LENGTH FOR OPERATION WITH SENSE LINES	2-7
NOISE AND IMPEDANCE EFFECTS	2-7
LOAD CONNECTIONS	2-7
REVERSE POLARITY	2-7
INDUCTIVE LOADS	2-8
CONNECTING SINGLE LOADS	2-8
REMOTE SENSE CONFIGURATION	2-8
PARALLEL CONNECTION OPERATION	2-9
CONNECTING MULTIPLE LOADS	2-10
PARALLEL POWER DISTRIBUTION	2-10
RADIAL POWER DISTRIBUTION METHOD	2-10
BATTERY CHARGING	2-10
<b>THREE: LOCAL OPERATION</b>	<b>3-1</b>
INTRODUCTION	3-1
STANDARD OPERATION	3-1
OPERATING MODES	3-1
CONSTANT VOLTAGE MODE OPERATION	3-1
CONSTANT CURRENT MODE OPERATION	3-1
AUTOMATIC MODE CROSSOVER	3-2
SETTING THE OVER VOLTAGE PROTECTION	3-2
FRONT PANEL OVP OPERATION	3-2

TTL SHUTDOWN	3-2
PROGRAMMING WITH EXTERNAL VOLTAGE SOURCES	3-3
REMOTE MONITORING AND STATUS INDICATORS	3-4
INTRODUCTION OF MASTER/SLAVE OPERATION (OPTIONAL)	3-4
SINGLE ADDRESS MULTIPLES CHANNEL CONFIGURATION	3-4
MASTER/SLAVE INSTALLATION	3-5
POWER-ON INITIALIZATION	3-6
POWER CYCLING	3-6
USING MULTIPLE SUPPLIES	3-6
CONFIGURING MULTIPLE SUPPLIES FOR SERIES OPERATION	3-7
CONFIGURING MULTIPLE SUPPLIES FOR PARALLEL OPERATION	3-8
SENSING FOR PARALLEL OPERATON	3-8
CONFIGURING MULTIPLE SUPPLY FOR SPLIT OPERATION	3-9

#### **FOUR: REMOTE OPERATION** **4-1**

INTRODUCTION	4-1
GPIB CAPABILITIES OF THE POWER SUPPLY	4-1
RS-232 CAPABILITIES OF THE POWER SUPPLY	4-1
ETHERNET CAPABILITIES OF THE POWER SUPPLY	4-2
PROGRAMMING COMMAND SET FOR SPS POWER SUPPLY	4-6
COMMON COMMANDS LIST	4-6
SUBSYSTEM COMMANDS SYNTAX	4-7
NON-SCPI COMMANDS	4-9
IEEE 488.1 COMMANDS	4-9
DESCRIPTION OF COMMON COMMANDS	4-10
DESCRIPTION OF SUBSYSTEM COMMANDS	4-16
CALIBRATION SUBSYSTEM	4-17
CHANNEL SUBSYSTEM	4-20
CURRENT SUBSYSTEM	4-22
LIST SUBSYSTEM	4-23
MEASUREMENT SUBSYSTEM	4-27
OUTPUT SUBSYSTEM	4-28
PARALLEL SUBSYSTEM	4-29
STATUS SUBSYSTEM	4-32
SYSTEM SUBSYSTEM	4-33
TRIGGER SUBSYSTEM	4-38
VOLT SUBSYSTEM	4-39
NON-SCPI COMMANDS AND THEIR EQUIVALENT SCPI COMMANDS	4-41
IEEE 488.1 COMMANDS AND THEIR EQUIVALENT SCPI COMMANDS	4-42
SCPI GPIB COMMAND STATUS REPORTING	4-43
OPERATION STATUS REGISTER	4-44
NON-SCPI COMMAND STATUS REPORTING*	4-45
COMMAND INDEX AND ERROR CODE FOR “SYST:ERR?” QUERY	4-46

#### **FIVE: CALIBRATION** **5-1**

INTRODUCTION	5-1
CALIBRATION SERVICE ENVIRONMENT AND PRECAUTIONS	5-1
CALIBRATION CONFIGURATION	5-1
VOLTAGE CALIBRATION SETUP	5-2
VOLTAGE CALIBRATION COMMAND STEP SEQUENCE	5-2
CURRENT CALIBRATION SETUP	5-3
CURRENT CALIBRATION COMMAND STEP SEQUENCE	5-3
RE-INSTALLING CALIBRATION DATA	5-4



# ONE: FEATURES AND SPECIFICATION

## INTRODUCTION

This SPS Series Switching Power Supply from American Reliance Inc. offers a complete solution to power supply system requirements. This instrument assists in the development and testing of new products, as well as being a recommended standard instrument for automatic test systems. The wide range of output selection combined with excellent load/line regulation provides an essential instrument to a lab environment. This instrument provides low-noise, precisely regulated variable DC output at 1200W(115Vac/230Vac) or 1500W (230Vac/208Vac) of output power. Over Voltage Protection (OV) and Over Current Protection (OC) are standard. Front panel controls and indicators are extensive with dual encoders, front panel on/off control, voltage setting, current setting, OV and OC preview as well as led indicators for fault conditions and CV/CC operating mode. For rack and stack applications, the front, and side ventilation provides increased heat dissipation to handle severe ambient conditions. To accommodate system applications, an output port on the rear panel provides a TTL fault output signal and remote inhibit functionality for system level interlock and fault indication. It comes with Standard Commands for Programmable Instrument (SCPI) commands. Remote monitoring of output voltage and currents is a standard features. Power supply can be used either on your bench or in a standard 19 in. (483 mm) rack: The power supply occupies 1.75 in. (1 U) of vertical rack space. Designed for continuous use in standalone or systems applications, this power supply is typically used to power DC equipment, control circuits, or burn-in applications components.

**TABLE 1.1 AVAILABLE VOLTAGE AND CURRENT RANGES**

<b>Model</b>	<b>Voltage Output Range</b>	<b>Current Output Range</b>
SPS 8-150	0-8 Vdc	0-150 A
SPS12-125(1.5kW)	0-12 Vdc	0-125 A
SPS 20-60(1.2kW)/SPS20-75(1.5kW)	0-20 Vdc	0-60A/0-75A
SPS 35-35	0-35 Vdc	0-35 A
SPS 40-30	0-40 Vdc	0-30 A
SPS 60-20(1.2kW)/SPS60-25(1.5kW)	0-60 Vdc	0-20A/0-25A
SPS 80-15	0-80 Vdc	0-15 A
SPS 120-10	0-120 Vdc	0-10 A
SPS 150-8(1.2kW)/SPS150-10(1.5kW)	0-150 Vdc	0-8A/0-10A
SPS 200-6	0-200 Vdc	0-6 A
SPS 300-4	0-300 Vdc	0-4 A
SPS 450-2.5	0-450 Vdc	0-2.5 A
SPS 600-2 (1.2kW)/SPS 600-2.5(1.5kW)	0-600 Vdc	0-2A/0-2.5A

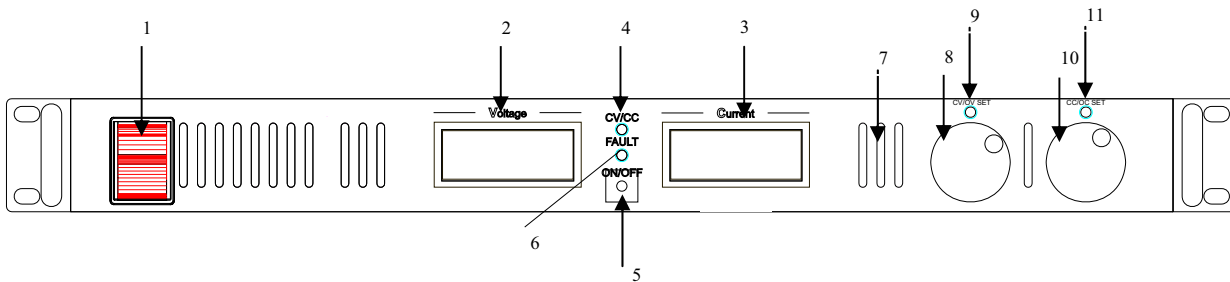
## FEATURES AND OPTIONS

- Automatic mode crossover to constant current or constant voltage mode.
- Dual encoders, front panel on/off key, front panel indicators & simultaneous V/I Display for real-time control & monitoring, and to program & preview Iset, Vset, Over-current (OC), and Over-voltage (OV)
- Remote programming control with standardized SCPI commands, V<sub>LIST</sub> (voltage) and I<sub>LIST</sub> (current) stepping modes for advanced and integrated ATE Testing
- 16 bit DAC/ADC design for high resolution and accuracy for standalone or burn-in testing without the need for external measuring equipment
- Convenient and robust automated testing - Four Step profiles; 20 step points for each profile
- Electronic Closed-case calibration | minimize down-time, reduce maintenance costs, & elevate Return on Investment (ROI)
- CV/CC, OV/OC, Encoder Status and Fault LED indicators for real-time and user-friendly monitoring
- Total Modular System Control
  - Control multiple units as a single block and master/slave parallel power supplies with built-in active current sharing via RS-485 & zero-stack with enhanced front panel ventilation to achieve simple and economical system expansion in a zero-stack configuration
  - Output Sequencing precisely controls individual power supply output on/off with timed delays
  - Embedded RS-232, RS-485, IEEE488.2 SCPI/GPIB & USB/Ethernet Option for ATE Applications
  - Programmable OVP (Over-voltage Protection) and OCP (Over-current Protection), redundant OTP (Over-temperature Protection) & UVP (Under-voltage Protection)
  - Interlock protection ready - Remote Inhibit (RI) & TTL Fault Output Signal for system level protection
- Basic RS-485 only control slave models available

## FRONT PANEL CONTROLS

Use the figure below to familiarize your self with this instrument.

SPS V-Panel:



**FRONT PANEL OF SPS-V Power Supply**

## FRONT PANEL FEATURES

- |    |                          |   |
|----|--------------------------|---|
| 1. | Power On/Off Switch      | Power On/Off for the unit.                    |
| 2. | Main Voltage LED Display | Digital LED Voltmeter                         |
| 3. | Main Current LED Display | Digital LED Ammeter                           |
| 4. | CV/CC Status Indicator   | CV – Green Indicator<br>CC – Orange Indicator |
| 5. | ON/OFF Status Indicator  | ON – Green Indicator<br>OFF – No Indicator    |
| 6. | Fault Status Indicator   |   |

### Legend:

**OVT** – Over-Voltage Protection  
**OTT** – Over-Temperature Protection  
**OCT** – Over-Current Protection  
**RI (Remote-Inhibit)** – External TTL Shutdown (Low-Activated)

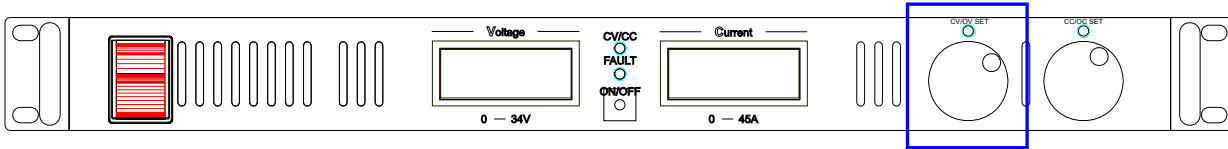
Fault Condition	Light Color	Light Status
OVT	GREEN	SOLID
OTT	RED	FLASH
OCT	RED	SOLID
RI/TTL_SD	ORANGE	SOLID

- |      |   |  |
|------|---|--|
| 7.   | Air-Intake Vent                           | Provides air-intake for maximized and effective heat dissipation |
| *8.  | V <sub>OUT</sub> /OV Encoder              | Preview and Configure V <sub>OUT</sub> and OV Settings           |
| *9.  | V <sub>OUT</sub> /OV Adjustment Indicator | Displays the edited mode via different colored LEDs              |
| *10. | I <sub>OUT</sub> /OC Encoder              | Preview and Configure I <sub>OUT</sub> and OC Settings           |
| *11. | I <sub>OUT</sub> /OV Adjustment Indicator | Displays the edited mode via different colored LEDs              |

**\*NOTE:** Please refer to the next page for detailed operations and description of items 8~11

## SETTING VOLTAGE ( $V_{OUT}$ ) & OVER-VOLTAGE ( $OV$ )

Start by locating the Encoder & LED on the left side and refer to the table below for description.

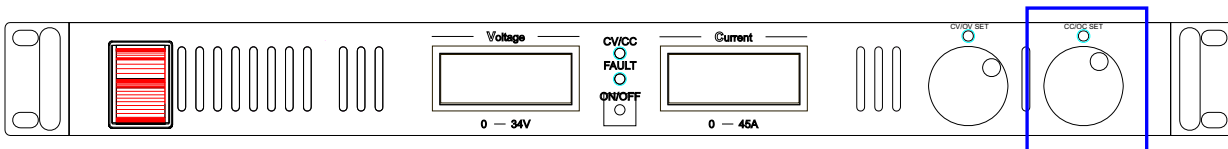


**NOTE:** Preview Mode and Edit Mode will exit after 5 seconds of idle activity.

ENCODER PRESSED	ENCODER ACTION	FUNCTION	LED STATUS
$V_{OUT}/OV$	Tap Once	Preview $V_{OUT}$ Setting	GREEN - $V_{OUT}$ Setting
	Press & Hold	Edit Setting	GREEN - $V_{OUT}$ Setting
	Tap (in edit mode)	Select Digit to Edit	GREEN - $V_{OUT}$ Setting
	Rotate Left	Decrement Value of Flashing Digit	GREEN - $V_{OUT}$ Setting
	Rotate Right	Increment Value of Flashing Digit	GREEN - $V_{OUT}$ Setting
	Tap Twice	Preview $OV$ Setting	ORANGE - $OV$ Setting
	Press & Hold	Edit Setting	ORANGE - $OV$ Setting
	Tap (in edit mode)	Select Digit to Edit	ORANGE - $OV$ Setting
	Rotate Left	Decrement Value of Flashing Digit	ORANGE - $OV$ Setting
	Rotate Right	Increment Value of Flashing Digit	ORANGE - $OV$ Setting

## SETTING CURRENT ( $I_{SET}$ ) & OVER-CURRENT ( $OC$ )

Start by locating the Encoder & LED on the right side and refer to the table below for description.

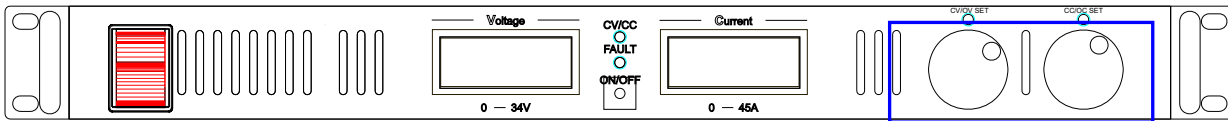


**NOTE:** Preview Mode and Edit Mode will exit after 5 seconds of idle activity.

ENCODER PRESSED	ENCODER ACTION	FUNCTION	LED STATUS
$I_{OUT}/OC$	Tap Once	Preview $V_{OUT}$ Setting	GREEN - $I_{OUT}$ Setting
	Press & Hold	Edit/Confirm Setting	GREEN - $I_{OUT}$ Setting
	Tap (in edit mode)	Select Digit to Edit	GREEN - $I_{OUT}$ Setting
	Rotate Left	Decrement Value of Flashing Digit	GREEN - $I_{OUT}$ Setting
	Rotate Right	Increment Value of Flashing Digit	GREEN - $I_{OUT}$ Setting
	Tap Twice	Preview $OC$ Setting	ORANGE - $OC$ Setting
	Press & Hold	Edit/Confirm Setting	ORANGE - $OC$ Setting
	Tap (in edit mode)	Select Digit to Edit	ORANGE - $OC$ Setting
	Rotate Left	Decrement Value of Flashing Digit	ORANGE - $OC$ Setting
	Rotate Right	Increment Value of Flashing Digit	ORANGE - $OC$ Setting

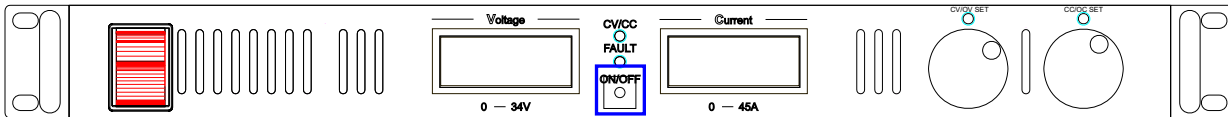
## ***FINE TUNE***

The Encoders will adjust the least significant digit of the Voltage and Current values on the fly.



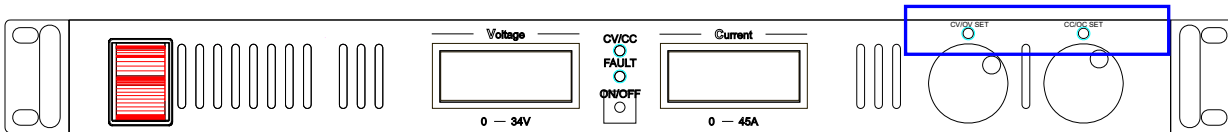
## ***OUTPUT ON/OFF***

By pressing the ON/OFF button, the SPS output can be enabled or disabled.



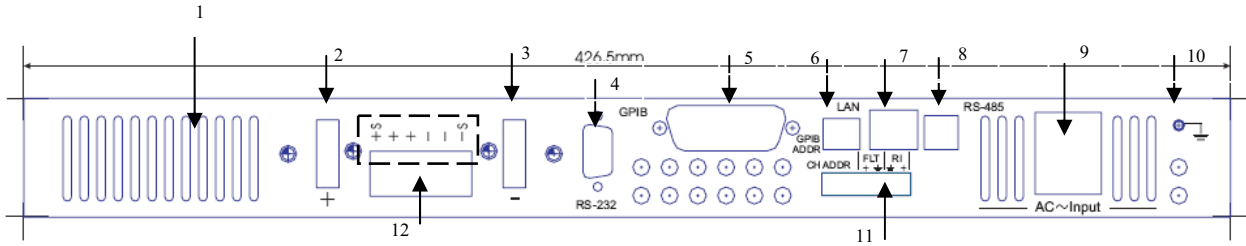
## ***REMOTE INDICATOR***

The two LEDs will flash GREEN when the SPS is in Remote Programming Mode



Press the ON/OFF button to bring the SPS to local mode when the remote interface is disengaged

## REAR PANEL CONNECTORS



**REAR PANEL OF SPS-V POWER SUPPLY.**

## REAR PANEL FEATURES

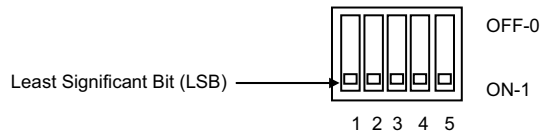
- |     |                                   |   |
|-----|-----------------------------------|---|
| 1.  | Fan-Out Air Vent                  | Cooling Fan Output Vent for SPS   |
| 2.  | Positive Output                   | Positive Output Terminal. (Screw: M6X12)  |
| 3.  | Negative Output                   | Negative Output Terminal. (Screw: M6X12)  |
| 4.  | RS232                             | 9 pin D-sub male connector for RS232 Interface.   |
| 5.  | GPIB                              | Standard IEEE 488 GPIB Interface Connector.   |
| 6.  | GPIB Address                      | Dip switch to configure the GPIB Address  |
| 7.  | Ethernet Interface (LAN)          | RJ45 connector for Ethernet interface (OPTIONAL)  |
| 8.  | USB                               | Standard USB Connector for USB interface (OPTIONAL)   |
| 9.  | AC Input                          | AC input terminal block.  |
| 10. | Chassis GND                       | Chassis/line Ground lug screw.  |
| 11. | Remote Inhibit Port<br>Fault Port | External Output Shutdown - Shutdown the output when short<br>External Fault Indicator – Pulls low when faults occur in the system |
| 12. | Sense Connections                 | Output and Remote Sense Connections.  |

## ***GPIB ADDRESS SWITCH***

The SPS must be assigned a GPIB address. This is done by configuring the DIP switch located at the rear of the unit. The available addresses available are 0-31. The table below indicates the DIP switch position for each address.

**TABLE 1.4 GPIB ADDRESS DIP SWITCH**

Address	1 (LSB)	2	3	4	5	Address	1 (LSB)	2	3	4	5
0	0	0	0	0	0	16	0	0	0	0	1
1	1	0	0	0	0	17	1	0	0	0	1
2	0	1	0	0	0	18	0	1	0	0	1
3	1	1	0	0	0	19	1	1	0	0	1
4	0	0	1	0	0	20	0	0	1	0	1
5	1	0	1	0	0	21	1	0	1	0	1
6	0	1	1	0	0	22	0	1	1	0	1
7	1	1	1	0	0	23	1	1	1	0	1
8	0	0	0	1	0	24	0	0	0	1	1
9	1	0	0	1	0	25	1	0	0	1	1
10	0	1	0	1	0	26	0	1	0	1	1
11	1	1	0	1	0	27	1	1	0	1	1
12	0	0	1	1	0	28	0	0	1	1	1
13	1	0	1	1	0	29	1	0	1	1	1
14	0	1	1	1	0	30	0	1	1	1	1
15	1	1	1	1	0	31	1	1	1	1	1



**FIGURE 1.5 GPIB ADDRESS SWITCH**

## ***CHANNEL ADDRESS SWITCH***

The table below indicates the DIP Switch position for setting the channel number on the SPS Power Supply.

**TABLE 1.5 CHANNEL ADDRESS DIP SWITCH**

Channel	1 (LSB)	2	3	4	5	Channel	1 (LSB)	2	3	4	5
1	1	0	0	0	0	16	0	0	0	0	1
2	0	1	0	0	0	17	1	0	0	0	1
3	1	1	0	0	0	18	0	1	0	0	1
4	0	0	1	0	0	19	1	1	0	0	1
5	1	0	1	0	0	20	0	0	1	0	1
6	0	1	1	0	0	21	1	0	1	0	1
7	1	1	1	0	0	22	0	1	1	0	1
8	0	0	0	1	0	23	1	1	1	0	1
9	1	0	0	1	0	24	0	0	0	1	1
10	0	1	0	1	0	25	1	0	0	1	1
11	1	1	0	1	0	26	0	1	0	1	1
12	0	0	1	1	0	27	1	1	0	1	1
13	1	0	1	1	0	28	0	0	1	1	1
14	0	1	1	1	0	29	1	0	1	1	1
15	1	1	1	1	0	30	0	1	1	1	1
						31	1	1	1	1	1



**FIGURE 1.6 CHANNEL ADDRESS SWITCH**

## REMOTE SENSE

When the supply is locally strapped for local sensing (normal operation), an unavoidable voltage drop is incurred in the load and adds to its voltage regulation. By connecting the supply for voltage remote sensing, as shown in Figure 1.9, voltage is sensed at the load rather than at the output terminals. This allows the supply to automatically compensate for voltage drop in the load leads as well as to accurately read back the voltage directly across the load. Line drop is subtracted from the total output voltage available at the output.

When the supply is connected for remote sensing, the OVP circuit senses at the main output terminal and not at the sense points. The voltage sensed by the OVP circuit could be significantly higher than the voltage being regulated at the load. Therefore, set OVP threshold voltage accordingly.

\*SPS also features a PTC device across the output and the remote sense for overload protection.

**<NOTE>: The sense leads must always be connected, either for local or remote sensing. Operation with the sense leads disconnected will cause the output fall to zero or to be unregulated.**

### REMOTE SENSE CONFIGURATION (DC OUTPUT CONNECTOR)



#### CAUTION

Turn off the power supply before making any connections on the rear panel terminal block.

Configure the unit for remote sensing by first disconnecting the shorting plugs between the sense and load terminals. Connect the load and sense leads to the load as in Figure 1.7. Keep in mind that sense and load leads should be as short as possible. Additionally, the sense leads resistance should be no greater than 0.5 ohm/lead, and the voltage drop over the load leads should be no greater than 2V/lead.

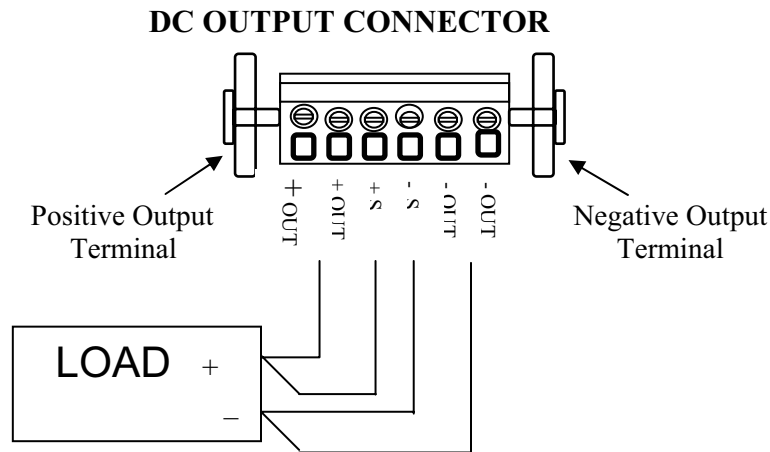


FIGURE 1.7 REMOTE SENSE CONFIGURATIONS

## ***REMOTE SENSE CHARACTERISTICS***

**OUTPUT NOISE:** Any noise picked up on the sense leads will appear at the supply's output and may adversely affect CV load regulation. Twist the sense leads to minimize external noise pickup and run them parallel and close to the load leads. In noisy environments, it may be necessary to shield the sense leads. Ground the shield at the power supply end only. Do not use the shield as one of the sensing conductors.

**STABILITY:** When the supply is connected for remote sensing, it is possible for the impedance of the load wires and the capacitance of the load to form a filter, which will become part of the supply's CV feedback loop. The extra phase shift created by this filter can degrade the supply's stability and result in poor transient response performance. In extreme cases, it can cause oscillation.

It is difficult to state simple rules defining the conditions under which this can occur, and which corrective action to take. A certain amount of trial and error may be called for.

Three guidelines, which are almost always valid, are:

- a. Keep the leads as short as possible.
- b. Twist the load leads together to minimize inductance.
- c. Use a shield grounded at the power supply and only.

In most circumstances, once these three guidelines are followed, problems associated with the load lead inductance are eliminated. This leaves the load lead resistance and load capacitance as the major cause of the reduced stability. In this case, you may obtain further stability by:

- a. Keeping the load capacitance as small as possible.
- b. Increasing the diameter of the load lead to reduce resistance.

If heavier gauge load leads (#10 or greater) are used, circumstances may arise when the load lead inductance and the load capacitance can form an under damped filter. This filter occasionally has the effect of destabilizing phase response. In this case, the above steps can worsen stability since they will reduce damping in the system.

## ***LOAD CONSIDERATION AND MULTIPLE LOADS CONNECTION***

When the supply is in local sensing mode and connecting multiple loads connecting to the output, connect each load to the output terminal using separate load leads. This minimizes mutual coupling effects and takes full advantages of the supply's low output resistance. Each pair of wires should be as short as possible and twisted or bundled to reduce lead inductance and noise pickup.

If cabling considerations require the use of distribution terminals that are located remotely from the supply, connect the power supply output terminals to the remote distribution terminals by a pair of twisted or bundled wires. Connect each load to the distribution terminals separately. Remote voltage sensing is recommended in these circumstances. Sense either at the remote distribution terminals or, if one load is more sensitive than the others, directly at the critical load.

**OUTPUT ISOLATION:** The output of the power supply is isolated from earth ground. Either output terminal may be grounded, or an external source of voltage may be connected between either output or ground. However, both output terminals must be kept within +/-600Vdc of ground. This includes the output voltage.



## SPECIFICATION FOR SPS SERIES

The following is the performance specifications for the SPS, Switching Programmable DC Power Series. All specifications are at the rear terminals with a resistive load, and local sensing unless otherwise stated. All specifications apply over the full operating temperature range of 0 to 50°C, unless otherwise specified.

**NOTE: Specifications are subject to change without notice.**

### SPS 8-150

---

<b>AC Line Input:</b> 120VAC $\pm$ 10% 240VAC $\pm$ 10%	<b>Readback Accuracy:</b> Voltage (0.2% +/- 20mV) Current (0.3% +/-20mA)	<b>Operating Temperature (ambient):</b> 0°C to 50°C
<b>Line Frequency:</b> 50\60Hz	<b>Line Regulation:</b> CV – (0.01% Vm+2mV) CC – (0.01% Im+2mA)	<b>Storage Temperature:</b> –40°C to 70°C
<b>Topology:</b> Switch mode Constant Voltage (CV) Constant Current (CC) Auto-Crossover	<b>Load Regulation:</b> CV – (0.02% Vm+5mV) CC – (0.03% Vm+5mV)	<b>Temperature Coefficient (30 minutes warm up period):</b> 100ppm/°C for CV, 300ppm/°C for CC
<b>Outputs</b> 1	<b>Efficiency:</b> $\cong$ 80%	<b>Humidity:</b> 0°C to 90°C RH non-condensing
<b>Output Voltage:</b> 8VDC (MAX.)	<b>PARD (Ripple &amp; Noise):</b> CV–12mVrms CV–75mVpp	<b>Output Isolation:</b> $\pm$ 600VDC
<b>Output Current:</b> 150ADC (MAX.)	<b>Transient Response:</b> 1-3mS for 50% to 100% load change within 1% of nominal voltage	<b>Front Panel:</b> Voltage–10 turn Knob Current–10 turn Knob ON/OFF line circuit breaker
<b>Output Power:</b> 1,200 Watts (MAX.)	<b>Remote Sense</b> Voltage drop $\leq$ 5VDC/ output line	<b>Display:</b> LED Module-3½ digits CV/CC/OVP/ -LED status indicators
<b>Programming Resolution:</b> 2mV / 39mA	<b>Drift (over 8 hours &amp; 30 minutes warm up period):</b> $\pm$ 0.01% + 10mV	
<b>Programming Accuracy:</b> Voltage $\pm$ (0.2% + 10 mV) Current $\pm$ (0.3% + 10mA)		

### SPS 20-60

---

<b>AC Line Input:</b> 120VAC $\pm$ 10% 240VAC $\pm$ 10%	<b>Readback Accuracy:</b> Voltage (0.2% +/- 20mV) Current (0.3% +/-20mA)	<b>Operating Temperature (ambient):</b> 0°C to 50°C
<b>Line Frequency:</b> 50\60Hz	<b>Line Regulation:</b> CV – (0.01% Vm+2mV) CC – (0.01% Im+2mA)	<b>Storage Temperature:</b> –40°C to 70°C
<b>Topology:</b> Switch mode Constant Voltage (CV) Constant Current (CC) Auto-Crossover	<b>Load Regulation:</b> CV – (0.02% Vm+5mV) CC – (0.03% Vm+5mV)	<b>Temperature Coefficient (30 minutes warm up period):</b> 100ppm/°C for CV, 300ppm/°C for CC
<b>Outputs</b> 1	<b>Efficiency:</b> $\cong$ 80%	<b>Humidity:</b> 0°C to 90°C RH non-condensing
<b>Output Voltage:</b> 20VDC (MAX.)	<b>PARD (Ripple &amp; Noise):</b> CV–10mVrms CV–75mVpp	<b>Output Isolation:</b> $\pm$ 600VDC
<b>Output Current:</b> 60ADC (MAX.)	<b>Transient Response:</b> 1-3mS for 50% to 100% load change within 1% of nominal voltage	<b>Front Panel:</b> Voltage–10 turn Knob Current–10 turn Knob ON/OFF line circuit breaker
<b>Output Power:</b> 1,200 Watts (MAX.)	<b>Remote Sense</b> Voltage drop $\leq$ 5VDC/ output line	<b>Display:</b> LED Module-3½ digits CV/CC/OVP/ -LED status indicators
<b>Programming Resolution:</b> 5mV / 17mA	<b>Drift (over 8 hours &amp; 30 minutes warm up period):</b> $\pm$ 0.01% + 10mV	
<b>Programming Accuracy:</b> Voltage $\pm$ (0.2% + 10 mV) Current $\pm$ (0.3% + 10mA)		

## SPS 35-35

---

### AC Line Input:

120VAC  $\pm$  10%  
240VAC  $\pm$  10%

### Line Frequency:

50\60Hz

### Topology:

Switch mode  
Constant Voltage (CV)  
Constant Current (CC)  
Auto-Crossover

### Outputs

1

### Output Voltage:

35VDC (MAX.)

### Output Current:

35ADC (MAX.)

### Output Power:

1,200 Watts (MAX.)

### Programming Resolution:

9mV / 8mA

### Programming Accuracy:

Voltage  $\pm$  (0.2% + 10 mV)  
Current  $\pm$  (0.3% + 10mA)

### Readback Accuracy:

Voltage (0.2% +/- 20mV)  
Current (0.3% +/-20mA)

### Line Regulation:

CV – (0.01% Vm+2mV)  
CC – (0.01% Im+2mA)

### Load Regulation:

CV – (0.02% Vm+5mV)  
CC – (0.03% Vm+5mV)

### Efficiency:

$\cong$  80%

### PARD (Ripple & Noise):

CV–10mVrms  
CV–50mVpp

### Transient Response:

1-3mS for 50% to 100% load  
change within  
1% of nominal voltage

### Remote Sense

Voltage drop  $\leq$  5VDC/ output line

### Drift (over 8 hours & 30 minutes

warm up period):  
 $\pm$  0.01% + 10mV

### Operating Temperature (ambient):

0°C to 50°C

### Storage Temperature:

–40°C to 70°C

### Temperature Coefficient (30

minutes warm up period):  
100ppm/°C for CV, 300ppm/°C for  
CC

### Humidity:

0°C to 90°C RH non-condensing

### Output Isolation:

$\pm$  600VDC

### Front Panel:

Voltage–10 turn Knob  
Current–10 turn Knob  
ON/OFF line circuit breaker

### Display:

LED Module–3½ digits  
CV/CC/OVP/ -LED status  
indicators

## SPS 40-30

---

### AC Line Input:

120VAC  $\pm$  10%  
240VAC  $\pm$  10%

### Line Frequency:

50\60Hz

### Topology:

Switch mode  
Constant Voltage (CV)  
Constant Current (CC)  
Auto-Crossover

### Outputs

1

### Output Voltage:

40VDC (MAX.)

### Output Current:

30ADC (MAX.)

### Output Power:

1,200 Watts (MAX.)

### Programming Resolution:

10mV / 7mA

### Programming Accuracy:

Voltage  $\pm$  (0.2% + 10 mV)  
Current  $\pm$  (0.3% + 10mA)

### Readback Accuracy:

Voltage (0.2% +/- 20mV)  
Current (0.3% +/-20mA)

### Line Regulation:

CV – (0.01% Vm+2mV)  
CC – (0.01% Im+2mA)

### Load Regulation:

CV – (0.02% Vm+5mV)  
CC – (0.03% Vm+5mV)

### Efficiency:

$\cong$  80%

### PARD (Ripple & Noise):

CV–10mVrms  
CV–50mVpp

### Transient Response:

1-3mS for 50% to 100% load  
change within  
1% of nominal voltage

### Remote Sense

Voltage drop  $\leq$  5VDC/ output line

### Drift (over 8 hours & 30 minutes

warm up period):  
 $\pm$  0.01% + 10mV

### Operating Temperature (ambient):

0°C to 50°C

### Storage Temperature:

–40°C to 70°C

### Temperature Coefficient (30

minutes warm up period):  
100ppm/°C for CV, 300ppm/°C for  
CC

### Humidity:

0°C to 90°C RH non-condensing

### Output Isolation:

$\pm$  600VDC

### Front Panel:

Voltage–10 turn Knob  
Current–10 turn Knob  
ON/OFF line circuit breaker

### Display:

LED Module–3½ digits  
CV/CC/OVP/ -LED status  
indicators

## SPS 60-20

---

**AC Line Input:**

120VAC  $\pm$  10%  
240VAC  $\pm$  10%

**Line Frequency:**

50\60Hz

**Topology:**

Switch mode  
Constant Voltage (CV)  
Constant Current (CC)  
Auto-Crossover

**Outputs**

1

**Output Voltage:**

60VDC (MAX.)

**Output Current:**

20ADC (MAX.)

**Output Power:**

1,200 Watts (MAX.)

**Programming Resolution:**

16mV / 35mA

**Programming Accuracy:**

Voltage  $\pm$  (0.2% + 10 mV)  
Current  $\pm$  (0.3% + 10mA)

**Readback Accuracy:**

Voltage (0.2% +/- 20mV)  
Current (0.3% +/-20mA)

**Line Regulation:**

CV – (0.01% Vm+2mV)  
CC – (0.01% Im+2mA)

**Load Regulation:**

CV – (0.02% Vm+5mV)  
CC – (0.03% Vm+5mV)

**Efficiency:**

$\cong$  80%

**PARD (Ripple & Noise):**

CV–10mVrms  
CV–50mVpp

**Transient Response:**

1-3mS for 50% to 100% load  
change within  
1% of nominal voltage

**Remote Sense**

Voltage drop  $\leq$  5VDC/ output line

**Drift (over 8 hours & 30 minutes  
warm up period):**

$\pm$  0.01% + 10mV

**Operating Temperature (ambient):**

0°C to 50°C

**Storage Temperature:**

–40°C to 70°C

**Temperature Coefficient (30  
minutes warm up period):**

100ppm/°C for CV, 300ppm/°C for  
CC

**Humidity:**

0°C to 90°C RH non-condensing

**Output Isolation:**

$\pm$  600VDC

**Front Panel:**

Voltage–10 turn Knob  
Current–10 turn Knob  
ON/OFF line circuit breaker

**Display:**

LED Module–3½ digits  
CV/CC/OVP/ -LED status  
indicators

## SPS 80-15

---

**AC Line Input:**

120VAC  $\pm$  10%  
240VAC  $\pm$  10%

**Line Frequency:**

50\60Hz

**Topology:**

Switch mode  
Constant Voltage (CV)  
Constant Current (CC)  
Auto-Crossover

**Outputs**

1

**Output Voltage:**

80VDC (MAX.)

**Output Current:**

15ADC (MAX.)

**Output Power:**

1,200 Watts (MAX.)

**Programming Resolution:**

20mV / 35mA

**Programming Accuracy:**

Voltage  $\pm$  (0.2% + 10 mV)  
Current  $\pm$  (0.3% + 10mA)

**Readback Accuracy:**

Voltage (0.2% +/- 20mV)  
Current (0.3% +/-20mA)

**Line Regulation:**

CV – (0.01% Vm+2mV)  
CC – (0.01% Im+2mA)

**Load Regulation:**

CV – (0.02% Vm+5mV)  
CC – (0.03% Vm+5mV)

**Efficiency:**

$\cong$  80%

**PARD (Ripple & Noise):**

CV–10mVrms  
CV–75mVpp

**Transient Response:**

1-3mS for 50% to 100% load  
change within  
1% of nominal voltage

**Remote Sense**

Voltage drop  $\leq$  5VDC/ output line

**Drift (over 8 hours & 30 minutes  
warm up period):**

$\pm$  0.01% + 10mV

**Operating Temperature (ambient):**

0°C to 50°C

**Storage Temperature:**

–40°C to 70°C

**Temperature Coefficient (30  
minutes warm up period):**

100ppm/°C for CV, 300ppm/°C for  
CC

**Humidity:**

0°C to 90°C RH non-condensing

**Output Isolation:**

$\pm$  600VDC

**Front Panel:**

Voltage–10 turn Knob  
Current–10 turn Knob  
ON/OFF line circuit breaker

**Display:**

LED Module–3½ digits  
CV/CC/OVP/ -LED status  
indicators

## SPS 120-10

---

**AC Line Input:**

120VAC  $\pm$  10%  
240VAC  $\pm$  10%

**Line Frequency:**

50\60Hz

**Topology:**

Switch mode  
Constant Voltage (CV)  
Constant Current (CC)  
Auto-Crossover

**Outputs**

1

**Output Voltage:**

120VDC (MAX.)

**Output Current:**

10ADC (MAX.)

**Output Power:**

1,200 Watts (MAX.)

**Programming Resolution:**

32mV / 3mA

**Programming Accuracy:**

Voltage  $\pm$  (0.2% + 10 mV)  
Current  $\pm$  (0.3% + 10mA)

**Readback Accuracy:**

Voltage (0.2% +/- 20mV)  
Current (0.3% +/-20mA)

**Line Regulation:**

CV – (0.01% Vm+2mV)  
CC – (0.01% Im+2mA)

**Load Regulation:**

CV – (0.02% Vm+5mV)  
CC – (0.03% Vm+5mV)

**Efficiency:**

$\cong$  80%

**PARD (Ripple & Noise):**

CV–12mVrms  
CV–100mVpp

**Transient Response:**

1-3mS for 50% to 100% load  
change within  
1% of nominal voltage

**Remote Sense**

Voltage drop  $\leq$  5VDC/ output line

**Drift (over 8 hours & 30 minutes  
warm up period):**

$\pm$  0.01% + 10mV

**Operating Temperature (ambient):**

0°C to 50°C

**Storage Temperature:**

–40°C to 70°C

**Temperature Coefficient (30  
minutes warm up period):**

100ppm/°C for CV, 300ppm/°C for  
CC

**Humidity:**

0°C to 90°C RH non-condensing

**Output Isolation:**

$\pm$  600VDC

**Front Panel:**

Voltage–10 turn Knob  
Current–10 turn Knob  
ON/OFF line circuit breaker

**Display:**

LED Module–3½ digits  
CV/CC/OVP/ -LED status  
indicators

## SPS 150-8

---

**AC Line Input:**

120VAC  $\pm$  10%  
240VAC  $\pm$  10%

**Line Frequency:**

50\60Hz

**Topology:**

Switch mode  
Constant Voltage (CV)  
Constant Current (CC)  
Auto-Crossover

**Outputs**

1

**Output Voltage:**

150VDC (MAX.)

**Output Current:**

8ADC (MAX.)

**Output Power:**

1,200 Watts (MAX.)

**Programming Resolution:**

40mV / 2mA

**Programming Accuracy:**

Voltage  $\pm$  (0.2% + 10 mV)  
Current  $\pm$  (0.3% + 10mA)

**Readback Accuracy:**

Voltage (0.2% +/- 20mV)  
Current (0.3% +/-20mA)

**Line Regulation:**

CV – (0.01% Vm+2mV)  
CC – (0.01% Im+2mA)

**Load Regulation:**

CV – (0.02% Vm+5mV)  
CC – (0.03% Vm+5mV)

**Efficiency:**

$\cong$  80%

**PARD (Ripple & Noise):**

CV–15mVrms  
CV–100mVpp

**Transient Response:**

1-3mS for 50% to 100% load  
change within  
1% of nominal voltage

**Remote Sense**

Voltage drop  $\leq$  5VDC/ output line

**Drift (over 8 hours & 30 minutes  
warm up period):**

$\pm$  0.01% + 10mV

**Operating Temperature (ambient):**

0°C to 50°C

**Storage Temperature:**

–40°C to 70°C

**Temperature Coefficient (30  
minutes warm up period):**

100ppm/°C for CV, 300ppm/°C for  
CC

**Humidity:**

0°C to 90°C RH non-condensing

**Output Isolation:**

$\pm$  600VDC

**Front Panel:**

Voltage–10 turn Knob  
Current–10 turn Knob  
ON/OFF line circuit breaker

**Display:**

LED Module–3½ digits  
CV/CC/OVP/ -LED status  
indicators

## SPS 200-6

---

### AC Line Input:

120VAC  $\pm$  10%  
240VAC  $\pm$  10%

### Line Frequency:

50\60Hz

### Topology:

Switch mode  
Constant Voltage (CV)  
Constant Current (CC)  
Auto-Crossover

### Outputs

1

### Output Voltage:

200VDC (MAX.)

### Output Current:

6ADC (MAX.)

### Output Power:

1,200 Watts (MAX.)

### Programming Resolution:

50mV / 1.5mA

### Programming Accuracy:

Voltage  $\pm$  (0.2% + 10 mV)  
Current  $\pm$  (0.3% + 10mA)

### Readback Accuracy:

Voltage (0.2% +/- 20mV)  
Current (0.3% +/-20mA)

### Line Regulation:

CV – (0.01% Vm+2mV)  
CC – (0.01% Im+2mA)

### Load Regulation:

CV – (0.02% Vm+5mV)  
CC – (0.03% Vm+5mV)

### Efficiency:

$\cong$  80%

### PARD (Ripple & Noise):

CV–20mVrms  
CV–150mVpp

### Transient Response:

1-3mS for 50% to 100% load  
change within  
100% of nominal voltage

### Remote Sense

Voltage drop  $\leq$  5VDC/ output line

### Drift (over 8 hours & 30 minutes

warm up period):  
 $\pm$  0.01% + 10mV

### Operating Temperature (ambient):

0°C to 50°C

### Storage Temperature:

–40°C to 70°C

### Temperature Coefficient (30

minutes warm up period):  
100ppm/°C for CV, 300ppm/°C for  
CC

### Humidity:

0°C to 90°C RH non-condensing

### Output Isolation:

$\pm$  600VDC

### Front Panel:

Voltage–10 turn Knob  
Current–10 turn Knob  
ON/OFF line circuit breaker

### Display:

LED Module–3½ digits  
CV/CC/OVP/ -LED status  
indicators

## SPS 300-4

---

### AC Line Input:

120VAC  $\pm$  10%  
240VAC  $\pm$  10%

### Line Frequency:

50\60Hz

### Topology:

Switch mode  
Constant Voltage (CV)  
Constant Current (CC)  
Auto-Crossover

### Outputs

1

### Output Voltage:

300VDC (MAX.)

### Output Current:

4ADC (MAX.)

### Output Power:

1,200 Watts (MAX.)

### Programming Resolution:

100mV / 1mA

### Programming Accuracy:

Voltage  $\pm$  (0.2% + 10 mV)  
Current  $\pm$  (0.3% + 10mA)

### Readback Accuracy:

Voltage (0.2% +/- 20mV)  
Current (0.3% +/-20mA)

### Line Regulation:

CV – (0.01% Vm+2mV)  
CC – (0.01% Im+2mA)

### Load Regulation:

CV – (0.02% Vm+5mV)  
CC – (0.03% Vm+5mV)

### Efficiency:

$\cong$  80%

### PARD (Ripple & Noise):

CV–25mVrms  
CV–200mVpp

### Transient Response:

1-3mS for 50% to 100% load  
change within  
1% of nominal voltage

### Remote Sense

Voltage drop  $\leq$  5VDC/ output line

### Drift (over 8 hours & 30 minutes

warm up period):  
 $\pm$  0.01% + 10mV

### Operating Temperature (ambient):

0°C to 50°C

### Storage Temperature:

–40°C to 70°C

### Temperature Coefficient (30

minutes warm up period):  
100ppm/°C for CV, 300ppm/°C for  
CC

### Humidity:

0°C to 90°C RH non-condensing

### Output Isolation:

$\pm$  600VDC

### Front Panel:

Voltage–10 turn Knob  
Current–10 turn Knob  
ON/OFF line circuit breaker

### Display:

LED Module–3½ digits  
CV/CC/OVP/ -LED status  
indicators

## SPS 400-3

---

### AC Line Input:

120VAC  $\pm$  10%  
240VAC  $\pm$  10%

### Line Frequency:

50\60Hz

### Topology:

Switch mode  
Constant Voltage (CV)  
Constant Current (CC)  
Auto-Crossover

### Outputs

1

### Output Voltage:

400VDC (MAX.)

### Output Current:

3ADC (MAX.)

### Output Power:

1,200 Watts (MAX.)

### Programming Resolution:

150mV / 1mA

### Programming Accuracy:

Voltage  $\pm$  (0.2% + 10 mV)  
Current  $\pm$  (0.3% + 10mA)

### Readback Accuracy:

Voltage (0.2% +/- 20mV)  
Current (0.3% +/-20mA)

### Line Regulation:

CV – (0.01% Vm+2mV)  
CC – (0.01% Im+2mA)

### Load Regulation:

CV – (0.02% Vm+5mV)  
CC – (0.03% Vm+5mV)

### Efficiency:

$\cong$  80%

### PARD (Ripple & Noise):

CV–30mVrms  
CV–200mVpp

### Transient Response:

1-3mS for 50% to 100% load  
change within  
1% of nominal voltage

### Remote Sense

Voltage drop  $\leq$  5VDC/ output line

### Drift (over 8 hours & 30 minutes

warm up period):  
 $\pm$  0.01% + 10mV

### Operating Temperature (ambient):

0°C to 50°C

### Storage Temperature:

–40°C to 70°C

### Temperature Coefficient (30

minutes warm up period):  
100ppm/°C for CV, 300ppm/°C for  
CC

### Humidity:

0°C to 90°C RH non-condensing

### Output Isolation:

$\pm$  600VDC

### Front Panel:

Voltage–10 turn Knob  
Current–10 turn Knob  
ON/OFF line circuit breaker

### Display:

LED Module–3½ digits  
CV/CC/OVP/ -LED status  
indicators

## SPS 450-2.5

---

### AC Line Input:

120VAC  $\pm$  10%  
240VAC  $\pm$  10%

### Line Frequency:

50\60Hz

### Topology:

Switch mode  
Constant Voltage (CV)  
Constant Current (CC)  
Auto-Crossover

### Outputs

1

### Output Voltage:

450VDC (MAX.)

### Output Current:

2.5ADC (MAX.)

### Output Power:

1,200 Watts (MAX.)

### Programming Resolution:

150mV / 1mA

### Programming Accuracy:

Voltage  $\pm$  (0.2% + 10 mV)  
Current  $\pm$  (0.3% + 10mA)

### Readback Accuracy:

Voltage (0.2% +/- 20mV)  
Current (0.3% +/-20mA)

### Line Regulation:

CV – (0.01% Vm+2mV)  
CC – (0.01% Im+2mA)

### Load Regulation:

CV – (0.02% Vm+5mV)  
CC – (0.03% Vm+5mV)

### Efficiency:

$\cong$  80%

### PARD (Ripple & Noise):

CV–30mVrms  
CV–200mVpp

### Transient Response:

1-3mS for 50% to 100% load  
change within  
1% of nominal voltage

### Remote Sense

Voltage drop  $\leq$  5VDC/ output line

### Drift (over 8 hours & 30 minutes

warm up period):  
 $\pm$  0.01% + 10mV

### Operating Temperature (ambient):

0°C to 50°C

### Storage Temperature:

–40°C to 70°C

### Temperature Coefficient (30

minutes warm up period):  
100ppm/°C for CV, 300ppm/°C for  
CC

### Humidity:

0°C to 90°C RH non-condensing

### Output Isolation:

$\pm$  600VDC

### Front Panel:

Voltage–10 turn Knob  
Current–10 turn Knob  
ON/OFF line circuit breaker

### Display:

LED Module–3½ digits  
CV/CC/OVP/ -LED status  
indicators

## SPS 600-2

---

### AC Line Input:

120VAC  $\pm$  10%  
240VAC  $\pm$  10%

### Line Frequency:

50\60Hz

### Topology:

Switch mode  
Constant Voltage (CV)  
Constant Current (CC)  
Auto-Crossover

### Outputs

1

### Output Voltage:

600VDC (MAX.)

### Output Current:

2ADC (MAX.)

### Output Power:

1,200 Watts (MAX.)

### Programming Resolution:

200mV / 0.5mA

### Programming Accuracy:

Voltage  $\pm$  (0.2% + 10 mV)  
Current  $\pm$  (0.3% + 10mA)

### Readback Accuracy:

Voltage (0.2% +/- 20mV)  
Current (0.3% +/-20mA)

### Line Regulation:

CV – (0.01% Vm+2mV)  
CC – (0.01% Im+2mA)

### Load Regulation:

CV – (0.02% Vm+5mV)  
CC – (0.03% Vm+5mV)

### Efficiency:

$\cong$  80%

### PARD (Ripple & Noise):

CV–40mVrms  
CV–250mVpp

### Transient Response:

1-3mS for 50% to 100% load  
change within  
1% of nominal voltage

### Remote Sense

Voltage drop  $\leq$  5VDC/ output line

### Drift (over 8 hours & 30 minutes warm up period):

$\pm$  0.01% + 10mV

### Operating Temperature (ambient):

0°C to 50°C

### Storage Temperature:

–40°C to 70°C

### Temperature Coefficient (30 minutes warm up period):

100ppm/°C for CV, 300ppm/°C for CC

### Humidity:

0°C to 90°C RH non-condensing

### Output Isolation:

$\pm$  600VDC

### Front Panel:

Voltage–10 turn Knob  
Current–10 turn Knob  
ON/OFF line circuit breaker

### Display:

LED Module-3½ digits  
CV/ CC/OVP/ -LED status  
indicators

---

## OUTPUT TERMINALS AND WIRES

All models have terminal connectors on the rear panel with basic connections; a positive terminal, a negative terminal, a positive remote sense terminal, a negative remote sense terminal, and an earth ground terminal.

**<NOTE:>** *The power supply is set at the factory for local sense operation (i.e. the +S and -S terminals are connected to the "+" and "-" terminals by a jumper wire at the rear connector). When operating in remote sense mode, remove the jumpers and refer to the section on remote sense.*

A brief definition of remote sense is "a measurement of voltage at the load rather than at the output terminals". Local connections are made to the "+" and "-" terminals of the power supply. Wrap and bundle wires to reduce coupling effect.

In order to safely and sufficiently handle electric current, the proper wire size must be used. Select a wire size with sufficient rating to carry the current without overheating. Other factors to be taken into consideration are voltage drop and conductor temperature.

## OPERATING CHARACTERISTICS AND CONFIGURATIONS

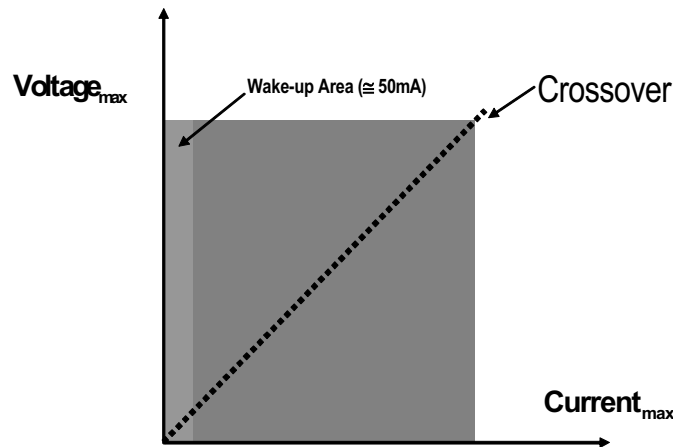
These sections contain information on operating characteristics and how to configure the SPS Series.

All power supplies operate in either constant voltage (CV) or constant current (CC) mode over the rated output. Their respective voltage and current operating locus are found in operating quadrants for all models. The power supply acts as a constant voltage source for comparatively large values of load resistance and as a constant current source for comparatively small values of load resistance. The automatic crossover or transition between these two modes of operations occurs at a critical stage or "crossover" value of load resistance.

( $R_c = E_s/I_s$ , where  $E_s$  is the front panel voltage setting and  $I_s$  the front panel current setting).

The wake-up area ( $\approx 50\text{mA}$ ) is the minimum current (factory) setting to excite any output voltage setting within the power supply range.

Figure 1.8 is the operating quadrant (voltage vs.- current) of the SPS series.

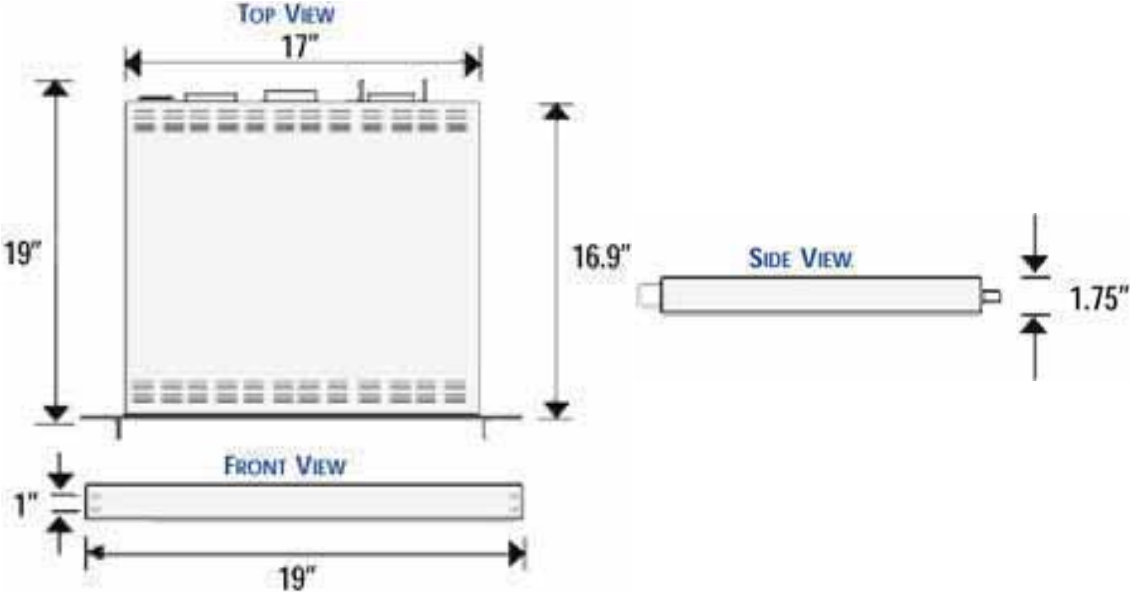


**FIGURE 1.8** Operating Quadrant



**FIGURE 1.9 DIMENSIONAL DRAWINGS**

(1 in. = 25.4mm)





# TWO: INSTALLATION

## ***INTRODUCTION***

This section provides recommendations and procedures for inspecting, installing, and testing the power supply.

## ***BASIC SETUP PROCEDURE***

Use Table 2.1 to summarize the basic setup procedure and an overall view of the subsections in this section. Use the procedure as a quick reference if you are familiar with the installation requirements for the power supply. If you want more information, each step in the procedure refers to subsequent sections, which contain more details. Execute each step in the sequence given.

**TABLE 2.1 BASIC SETUP PROCEDURE**

<b>Step#</b>	<b>Description</b>	<b>Action</b>	<b>Reference</b>
1	Inspection	Perform an initial physical inspection of the supply.	Inspection, cleaning, and packaging.
2	Installation	Install the instrument on bench or rack mount, ensuring adequate ventilation.	Location, mounting, and ventilation.
3	Input power	Connect AC input power.	AC input power connection.
4	Test	Perform functional tests for CV mode, CC mode, and front panel controls.	Functional test.
5	Load	Connect the load.	Load connection.
6	Sense	Connect sensing lines.	Local and Remote sense.

## ***INSPECTION, CLEANING, AND PACKAGING***

- INITIAL INSPECTION: When you first receive your unit, perform a quick physical check.
  1. Inspect the instrument for cracks, scratches, broken switches, connectors, and display.
  2. Make sure there is not damage on the AC power cord, the AC in put cover is installed properly and with the strain relief.
  3. Make sure there in no loose component in the unit that may cause by the long distance shipping.

If the unit is damaged, save all the packing materials and notify the carrier immediately.

- MAINTENANCE: No routine servicing of the power supply is required except for periodic cleaning. Whenever the instrument is removed from operation, first use a low pressure air to blow dust from in and around components on the printed circuit board, clean the front panel with dry cloths or with a weak solution of soap and water, clean the metal surfaces with naphtha or an equivalent solvent when you location consist high humility. Then use the low-pressure compressed air to blow it again.

## ***RETURNING POWER SUPPLIES TO THE MANUFACTURER***

Return Material Authorization Policy:

Before returning a product directly to American Reliance Inc. you must obtain a Return Material Authorization (RMA) number and the correct manufactory Ship To: address. Products must also be shipped prepaid. Product shipments will be refused and returned at the customer's expense if they are unauthorized, sent without an RMA # clearly marked on the outside of the shipping box, if they are shipped collect, or if they are shipped to the wrong location.

When you contact AMREL to obtain service, please have your operating manual ready for reference and be prepared to supply:

- 1- The model number of your product.
- 2- The serial number of your product.
- 3- Information about the failure and/or reason for the return.
- 4- A copy of your dated proof of purchase.

When return the product to American Reliance Inc.:

- 1- Package the unit safely, preferably using the original box and packing materials. Please ensure that your product is shipped fully insured in the original packaging or equivalent. **THIS WARRANTY WILL NOT APPLY WHERE THE PRODUCT IS DAMAGED DUE TO IMPROPER PACKAGING.**
- 2- Include the following information:
  - The RMA# supplied by American Reliance Inc. clearly marked on the outside of the box.
  - A return address where the unit can be shipped. Post office boxes are not acceptable.
  - A contact person, telephone, email where you can be reached during work hours.
  - A brief description of the problem.

Ship the unit prepaid to the address provided by AMREL customer service representative.

**If you are returning a product from outside of the United States:**

In addition to the above, you must include return freight funds if you instrument is out of warranty and are fully responsible for all documents, duties, tariff, and deposits.

## ***PACKAGING FOR SHIPPING OR STORAGE***

Follow these instructions to prepare the instrument for shipping or storage.

- 1- When returning the unit or sending it to the service center, attach a tag to the unit stating its model number (available at the front panel label) its serial number (available at the rear panel label). Give the date of purchase and an invoice number, if you have it, as well as a brief description of the problem.
- 2- For storage or shipping, repack the power supply in its original box. If the original box is not available, seal the instrument in a plastic bag and pack it in a 200 lb. (90Kg) test corrugated cardboard carton large enough allow 3 inches (76.2mm) of cushioning material to surround the unit. Use a material such as foam slabs or chips or an appropriate wooden crate used.
- 3- Label the package as shown in Figure 2.1.
- 4- Mark the address of the service center and your return address carton.
- 5- If storing, no more than two cartons high. The storage temperature should be between -40°C to 70°C.

<p><b>PROGRAMMABLE DC POWER SUPPLY</b></p> <p>Model #: _____</p> <p>Serial #: _____</p> <p><b>FRAGILE – ELECTRONIC EQUIPMENT (PLEASE HANDLE WITH CARE)</b></p>
--

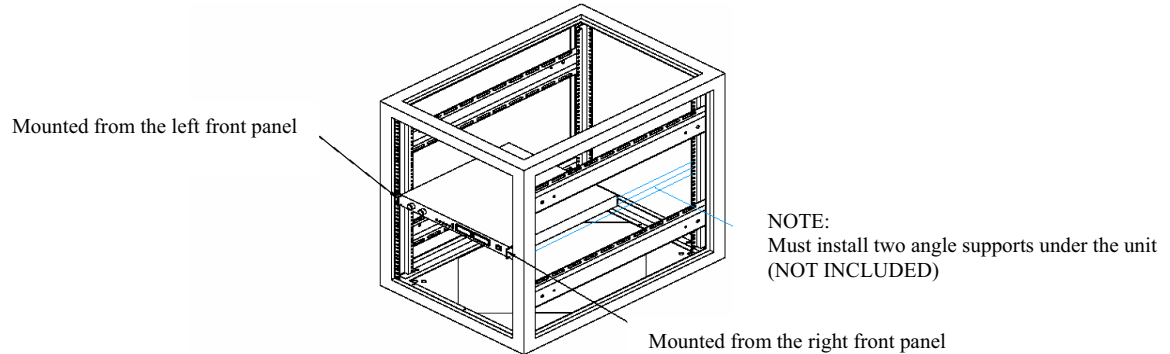
**FIGURE 2.1 SHIPPING OR STORAGE CARTON LABEL**

## ***LOCATION, MOUNTING, AND VENTILATION***

The power supply was designed for rack-mounted or bench top applications.

### **RACK MOUNTING INTALLATION:**

- 1- Use the integral rack-mount ears at both sides of the front panel to install the power supply in a rack-mount application.
- 2- Provide adequate support for the rear of the instrument without obstructing the ventilation inlets on the sides of the unit. Use a support bar at the bottom or rear of the unit, this item is not provided by AMREL. The support bar can be purchased from the enclosure manufacture, please follow the rack-mount manufacturer's instructions for proper installation.



### **VENTILATION:**

Whether you place the power supply in a rack or on a bench, allow cooling air to reach the ventilation inlets on the sides of the instrument and allow 4 in. (101.6mm) of unrestricted air space at the rear of the unit for the fan exhaust. Any ventilation space at the top and bottom of the supply will further lower internal operating temperatures.

### ***FUSE REPLACEMENT***

If the fuse is suspected to be defective, it should be inspected and, if necessary, replaced. To inspect or replace the fuse, please contact to American Reliance service department before perform the following steps:

- (1) Disconnect the AC line cord from the unit to reduce electrical shock hazard.
- (2) Remove the case of the instrument. The fuse holders are at the printed circuit board. Test the fuse for electrical continuity with an ohmmeter.
- (3) If the fuse is found to be defective, replace it with a replacement fuse as specified in the following table for both models of the SPS units:

<u>Fuse Rating</u>	<u>Specification</u>	<u>Printed Circuit Location</u>
8Amp, 250V	10 X 38mm (Fast)	P/N: 280046D – F301
3.15Amp, 250V	5 X 20mm (Fast)	P/N: 280044B – F101
25Amp, 250V	6 X 30mm (Fast)	P/N: 280044B – F102

- (4) Replace the fuse in the fuse holder and re-install.
- (5) Reconnect the AC power cord.



### **CAUTION**

**USE OF ANY FUSE OTHER THAN THE ONE SPECIFIED MAY CAUSE DAMAGE TO THE UNIT, POSE A SEVERE FIRE HAZARD, AND WILL VOID THE WARRANTY.**

## ***AC INPUT POWER CONNECTION***



### **WARNING**

Disconnect AC power from the instrument before removing the cover. Even with the front panel power switch is the OFF position, live line voltages are exposed when the cover is removed and. Repairs must be made by experienced service technicians only.

NOTE: You must obtain an authorization from AMREL first before removing the cover of the instrument. Otherwise the warranty will be a void.



### **WARNING**

There is a potential shock hazard if the power supply chassis and cover are not connected to an electrical ground via the safety ground in the AC input connector. Ensure that the power supply is connected to a grounded AC outlet with the recommended AC input connector configured for the available line voltage.



### **CAUTION**

When power switch is turned ON, output voltage or current previously set will be applied to loads.

## ***AC INPUT CONNECTOR***

**TABLE 2.2 AC INPUT CONDITIONS**

<b>AC VOLTAGE</b>	<b>MAX. CURRENT</b>	<b>MAX. POWER</b>	<b>FREQUENCY</b>
120VAC +/- 10%	20A Max.	2400 VA	50\60Hz
240VAC +/- 10%	13A Max.	3120 VA	50\60Hz

## AC INPUT CORD



### WARNING

The AC input cord is the disconnect device for the power supply. The plug must be readily identifiable to the operator. The input cord must be no longer than 3 m (9.84 feet).

The AC input cord we recommend is specified in Table 2.3, “AC Cord Specification”. If you require a special cord, call our sales representative.

**TABLE 2.3 AC CORD SPECIFICATION**

WIRE SIZE DIMENSIONS A	TYPE OF CONDUCTOR	RATINGS	LENGTH (feet)
12/3	SJT	105°C	6
14/3	SJT	105°C	6

## LOAD WIRING

To select wiring for connecting the load to the power supply, consider the following factors:

- Insulation rating of the wire
- Current carrying capacity of the wire
- Maximum load wiring length for operation with sense lines
- Noise and impedance effects of the load lines

**CURRENT CARRYING CAPACITY:** As a minimum, load wiring must have a current capacity greater than the output current rating of the power supply. This ensures that the wiring will not be damaged even if the load is shorted. Table 2.4 shows the maximum current rating, based on 450 A/cm<sup>2</sup>, for various gauges of wire rate for 105°C operation. Operating at the maximum current rating results in an approximately 30°C temperature rise for a wire operating in free air. Where load wiring must operate in areas with elevated ambient temperatures or bundled with other wiring, use larger gauges or wiring rated for higher temperature.

**TABLE 2.4 CURRENT CARRYING CAPACITY FOR LOAD WIRING**

WIRE SIZE (AWG)	MAXIMUM CURRENT (A)
2/0	303
1/0	247
1	192
2	155
4	97
6	61
8	36
10	21
12	16
14	10
16	6
18	4
20	2.5



## ***LOAD WIRING LENGTH FOR OPERATION WITH SENSE LINES***

For applications using remote sensing, you must limit the voltage drop across each load line. We recommend that you use the larger load wiring to ensure a smaller voltage drop (1V typical max.), although the product will compensate for up to 5V droop in each line

## ***NOISE AND IMPEDANCE EFFECTS***

To minimize noise pickup or radiation, use shielded pair wiring or shortest possible length for load wires. Connect the shield to the chassis via a rear panel mounting screw. Where shielding is impossible or impractical, simply twisting the wires together will offer some noise immunity. When using local sense connections, use the largest practical wire size to minimize the effects of load line impedance on the regulation of the supply.

**Note:** Use shorter, low impedance and wider gauge load cables

## ***LOAD CONNECTIONS***

### **WARNING**

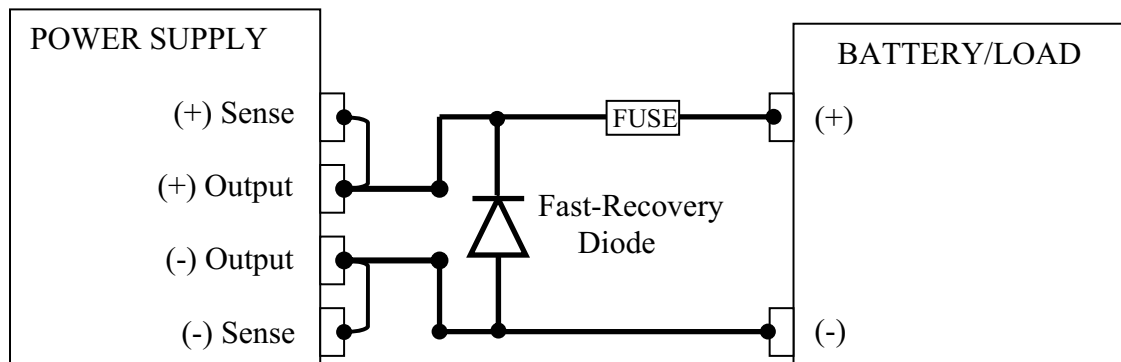
There is a potential shock hazard at the load when using a power supply with a rated output greater than 40V. To protect personnel against accidental contact with hazardous voltages, ensure that the load, including connections, have no live parts, which are accessible. Also ensure that the insulation rating of the load wiring and circuitry is greater than or equal to the maximum output voltage of the power supply.

### **CAUTION**

When making connections to the output terminal, ensure that each terminal's mounting hardware and wiring assembly are placed to avoid touching the other terminal and shorting the power supply output. Heavy connecting cables must have some form of strain relief to avoid loosening the connections.

## ***REVERSE POLARITY***

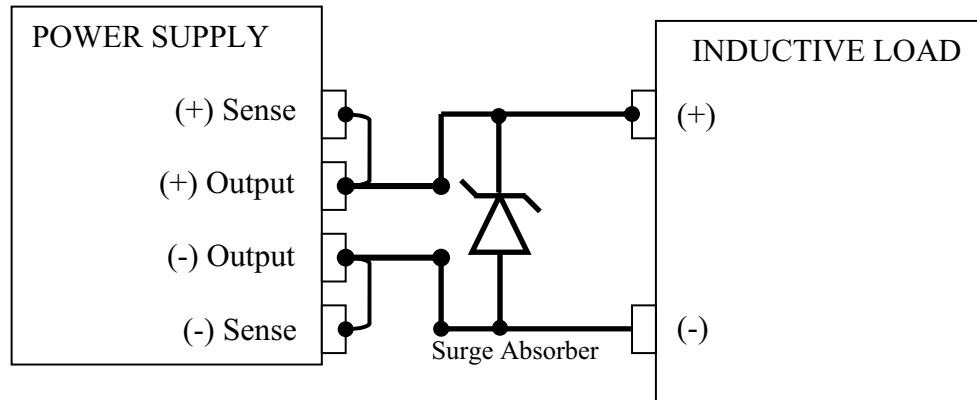
To prevent from damages caused by reverse polarity, a fast recovery diode and a fuse should be connected to the test system. Both the fuse and the diode should be rated for two times the maximum rated voltage and current of the unit. Please connect the components according to the following diagram.



REVERSE POLARITY PROTECION

## ***INDUCTIVE LOADS***

To prevent damage to the power supply from inductive kickback or back EMF from a motor, connect a surge absorber diode across the output (parallel). The diode should be rated at greater than two times the supply's output voltage and have a current surge rating two times greater than the supply's output rating. Connect the cathode to the positive output and the anode to the negative output/return.

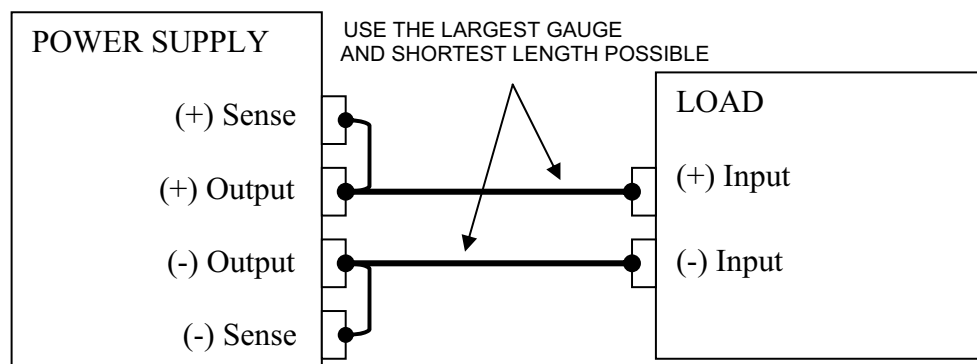


INDUCTIVE LOAD WITH SURGE ABSORBER PROTECTION

## ***CONNECTING SINGLE LOADS***

The single loads connection. Local sense lines shown below are the factory default connections for the rear DC output terminal or using the internal isolation relay terminal.

You do not need remote sensing for basic operation of your supply. However, if you wish to correct any small drops in your load lines, the remote sensing feature.



SINGLE LOAD WITH LOCAL SENSING (DEFAULT)

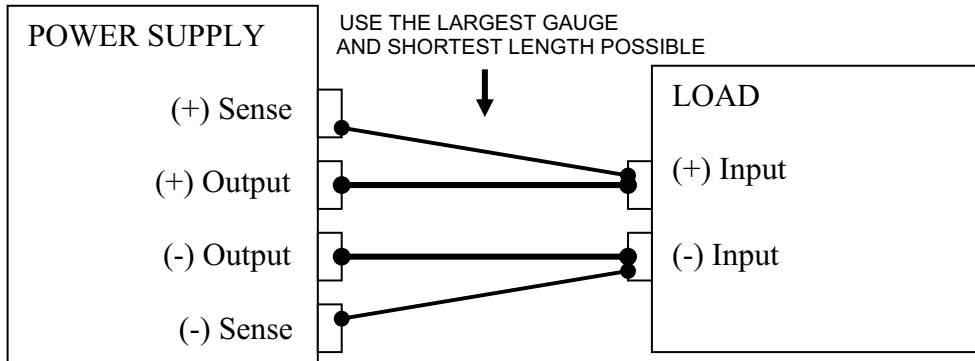
## ***REMOTE SENSE CONFIGURATION***



### **CAUTION**

Turn off the power supply before making any connections on the rear panel terminal block.

Configure the unit for remote sensing by first disconnecting the jumper wires between the sense and load terminals. Keep in mind that sense and load leads should be as short as possible. Additionally, the sense leads resistance should be no greater than 0.5 ohm/lead, and the voltage drop over the load leads should be no greater than 2.0V/lead.

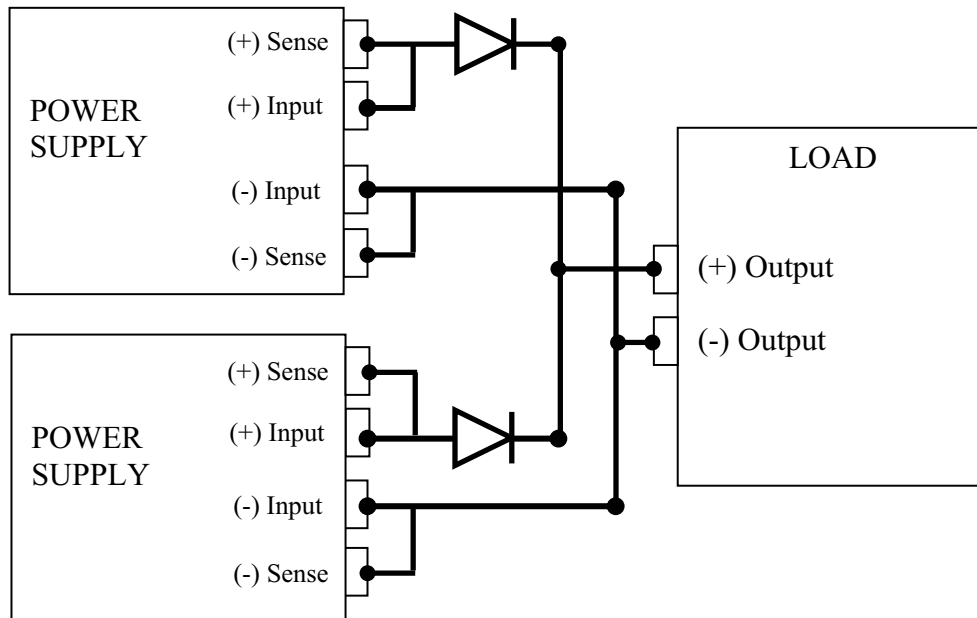


**SINGLE LOAD WITH REMOTE SENSING**

***PARALLEL CONNECTION OPERATION***

Power supplies equipped with MOSFET and Down-programming circuit should not be used in series or parallel with each other unless a master-slave interconnection is employed and their MOSFET interlock. The SPS can be paralleled if the MOSFET and Down-programming circuit are disabled by configuring dip SW1 (located at rear panel) for parallel operation.

When operating power supplies in parallel, a situation can occur where a power supply in the configuration shuts down and the voltage from the other paralleled regulators will feed back into it. To prevent damages to the power supply, connect a high voltage rated, blocking diode in series with the Load. The break down voltage and current rating for the blocking diode should be at least two times the maximum rated values of the power supply. Please see the diagram below.



## ***CONNECTING MULTIPLE LOADS***

Proper connection of distributed loads is an important aspect of power supply use. Two common methods of connection are the parallel power distribution method and the radial power distribution method.

### ***PARALLEL POWER DISTRIBUTION***

This distribution method involves connecting leads from the power supply to one load, from that load to the next load, and so on for each load in the system. This method results in the voltage at each load depending on the current drawn by the other loads and allows DC ground loops to develop. Except for low current application, we do not recommend using this method.

### ***RADIAL POWER DISTRIBUTION METHOD***

To connect distributed loads, we recommend that you use radial power distribution. With this method, you connect power to each load individually from a single pair of terminals designated as the positive and negative distribution terminals. These terminals may be the power supply output terminals, the terminals of one of the loads, or a distinct set of terminals especially established for distribution use. Connect the sense leads to these terminals to compensate for losses and minimize the effect of one load upon another.

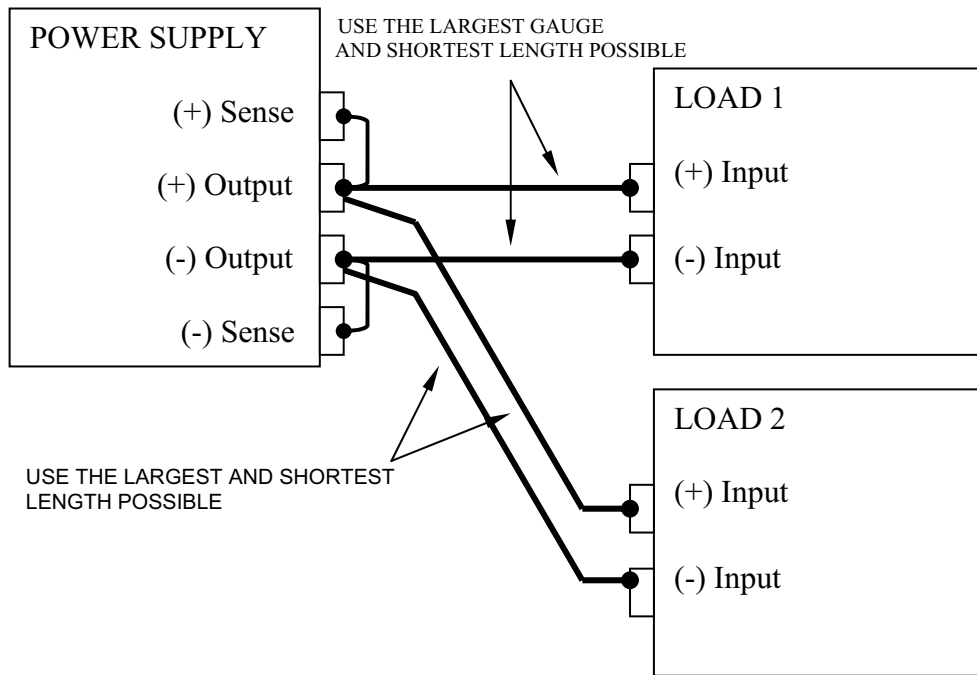
The recommended load and sensing connections for multiple loads:

## ***BATTERY CHARGING***

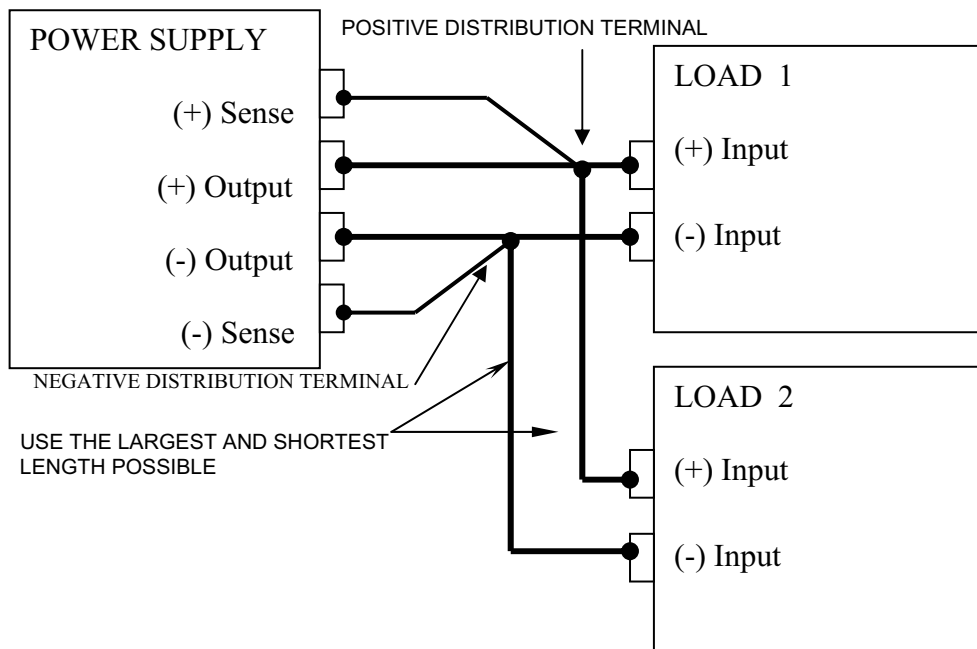
The power supply's OVP circuit contains a MOSFET that effectively shorts the output of the supply whenever OVP trips. If a battery or other external voltage source is connected across the output and the OVP is inadvertently triggered or the output is programmed below the battery voltage, the power supply will continuously sink a large current from the battery. This could damage the supply. To avoid this, disable the circuit by configuring the DIP SW1 for parallel operation or insert a reverse blocking diode in series with the (+) output of the supply. Connect the diode cathode to the (+) battery terminal and the diode anode to the supply (+) output terminal. The diode may require a heat sink.

If the OVP trips, you must remove the external current source in order to reset the internal MOSFET as part of clearing the OVP circuit or disabled by configuring dip SW1 for parallel operation.

Figure 2.4 and 2.5 show recommended load and sensing connections for multiple loads



**FIGURE 2.4 MULTIPLE LOADS WITH LOCAL SENSING**



**FIGURE 2.5 MULTIPLE LOADS WITH REMOTE SENSING**



# THREE: LOCAL OPERATION

## *INTRODUCTION*

Once you have installed the power supply and have connected both the AC input power and the load as discussed in the previous section. Installation, the power supply is ready to operate in local control mode.

## *STANDARD OPERATION*

This power supply has two basic operating modes: Constant Voltage Mode (CV) and Constant Current Mode (CC), and two control modes: Local Control Mode (default setting) and Remote Programming Mode. Both operating modes are available regardless of which control mode is used.

## *OPERATING MODES*

Whether controlled by local or remote programming, the power supply has two basic operating modes: Constant Voltage Mode and Constant Current Mode. The mode in which the power supply operates at any given time depends on the combination of:

- Output voltage setting VSET
- Output current limit setting ISET
- Resistance of the attached load RL

## *CONSTANT VOLTAGE MODE OPERATION*

The power supply will operate in constant voltage mode whenever the load current  $I_L$  is less than the current limit setting ISET.

<NOTE>: ( $I_L = VSET / RL$ ).

In constant voltage mode, the power supply maintains the output voltage at the selected value (VSET) while the load current  $I_L$  varies with the load requirements.

## *CONSTANT CURRENT MODE OPERATION*

The power supply will operate in constant current mode whenever the load resistance is low enough that the load current  $I_L$  is equal to the current limit setting ISET.

<NOTE>: ( $V_L = ISET \cdot RL$ ).

In constant current mode, the power supply maintains the output current at the selected value (ISET) while the load voltage varies with the load requirements.

## ***AUTOMATIC MODE CROSSOVER***

This feature allows the power supply to automatically switch operating modes in response to changing load requirements. If, the power supply is operating in CV mode, and the load changed so that the load current became equal to the current limit setting, the power supply would automatically switch into CC mode and the output voltage would vary in response to changes in load current. If the additional load were subsequently removed so that the load current is again less than the current limit setting, the supply would automatically return to CV mode.

## ***SETTING THE OVER VOLTAGE PROTECTION***

The power supplies have over voltage protection (**OVP**) and over current protection (**OCP**) features to guard against abnormal operating conditions. When either of these two functions is activated, the unit disables the output. The OVP LED will light up to indicate the over voltage has tripped. Resetting the OVP circuit after activation requires removal of the over voltage condition by powering the unit OFF and back ON. The OVP trip level can be set via the front panel.

## ***FRONT PANEL OVP OPERATION***

The following procedure sets the trip level from the front panel.

1. With the unit off, check that the SW1-5 & SW1-2 are set to Local Mode (default setting).
2. Using a small flat head screwdriver through the OVP ADJUST hole (located on the front above the voltage & current knobs), turn the screw fully clockwise until an audible click is heard or approximately 10 turns.
3. Turn the unit on and adjust the output voltage to the desired trip voltage.
4. Slowly turn the adjusting screw counterclockwise until the output disables (LED will display approximately 0Volts).
5. Turn the unit off.
6. Turn the voltage control knob to minimum.
7. Turn the unit back on and increase the voltage to check that the power supply shuts the output off at the desired trip voltage.

**<NOTE>: For remote OVP operation, you must turn the OVP ADJUST hole (located on the front panel above the voltage & current knobs) to minimum (counterclockwise) in order to operate correctly. Remember you must adjust the OVP Adjust trimer back to maximum (clockwise) when using local OVP operation.**

## ***TTL SHUTDOWN (OPTIONAL)***

For applications that require using remote ON-OFF control to the output, the power supply can use a TTL signal (+5V or Short) to remotely disable/enable the output.

The following are the output conditions:

0Vdc or Open between Pin 13 (+) to Pin 14 (-) equal Output ON  
+5Vdc or Short between Pin 13 (+) to Pin 14 (-) equal Output OFF

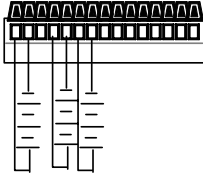


## ***PROGRAMMING WITH EXTERNAL VOLTAGE SOURCES***

**<NOTE>**: When external source is physically and/or electrically connected to power supply, the front panel control knobs are disabled. They also become disabled when the remote programming scale is set to 0 to +10Vdc ranges.

The output voltage can be programmed with either a 0 to +5Vdc or 0 to +10Vdc external voltage source. To program the output voltage, SW1-4 must be set to OFF position (default) for 0 to +5Vdc sources or set to ON position for 0 to +10Vdc sources.

### **JP3 I/O Connector Configuration**



### **SW1 SETTINGS**

0-5Vdc: SW1-4 OFF  
0-10Vdc: SW1-4 ON

The external voltage source is connected between pins 4 (+) and 5 (-). To control the output of the supply, vary the external voltage source. The source is directly proportional to the output, thus a change in the external voltage of 0 to +5Vdc or 0 to +10Vdc, will cause a proportional change from 0-100% of the rated output.

The output current (limit) can be programmed with a 0 to +5Vdc or 0 to +10Vdc external source. The output voltage must also be set with a separate voltage source. **(The current control will not function unless there is another source attached to the voltage control pins).**

Selection of the external voltage scale is done using switch SW1.

### **SW1 SETTINGS**

0-5Vdc: SW1-3 OFF  
0-10Vdc: SW1-3 ON

The external voltage source is connected between pins 6 (+) and 7 (-). To control the current (limit), vary the external voltage source. Varying the source from 0-100% of the rated maximum will cause a proportional change of 0-100% of current (limit).

**NOTE:** An additional source is required and connected between pin 1 (+) and 2 (-) to externally control the Over Voltage Protection (OVP) setting when ever external voltage and current control is required. The OVP is controlled by Varying the source from 0-100% of the rated maximum voltage will cause a proportional change of 0-100% of OVP (limit).

## ***REMOTE MONITORING AND STATUS INDICATORS***

Remote monitoring of the output voltage and current readback signals can be obtained from the I/O connector on the rear panel. Pins 8 (+) and 9 (-) output a 0 to +5Vdc signal, indicating 0-100% of the rated output voltage. Pins 10 (+) and 11 (-) output a 0 to +5Vdc signal indicating 0-100% of the rated output current.



### **CAUTION**

In order to provide proper reading, the units require high input impedance.

## ***INTRODUCTION OF MASTER/SLAVE OPERATION (OPTIONAL)***

The SPS power supply with remote interface option is equipped with an internal master controller for slaving SPS power supplies. The maximum number it can control is 31 power supplies, and is configured as a daisy chained system via an RS485 bus as shown in Figure 3.1. In order to operate the controller, a computer with a remote interface is required. All communication to the controller is done through a single address. User can configure both master and slave power supplies to be controlled by the Master SPS unit.

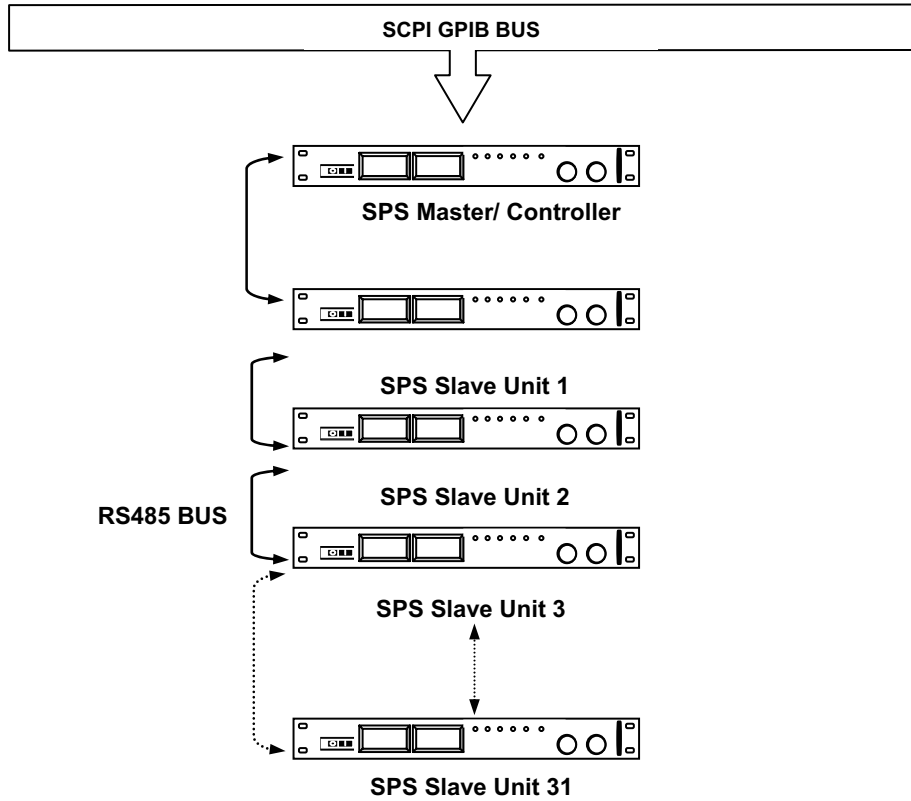
## ***SINGLE ADDRESS MULTIPLE CHANNEL CONFIGURATION***

The SPS Master unit can accept from 1 to 31 channels of power units. Each unit must have its own individual channel number, which can be set by the DIP Switch located at the rear panel of each power unit. All the channels are controlled via the Master, which is connected to a remote interface bus through the GPIB/RS-232/Ethernet connector located at the rear panel. The controller's address must be set as described in the next section. Once the address and channels are set, all units must be connected together as shown in Figure 3.1, below. This is done by using RS485 cables, attached in a daisy type or star type configuration. Each unit is equipped with two standard RS485 connectors to accommodate for the configuration necessary to operate the system.

RS485 hardware limitation:

Maximum length of cable:	30 foot per cable/ 300feet total
Connector type:	RJ45
Cable Type:	8-PIN CAT 5 Ethernet Cable

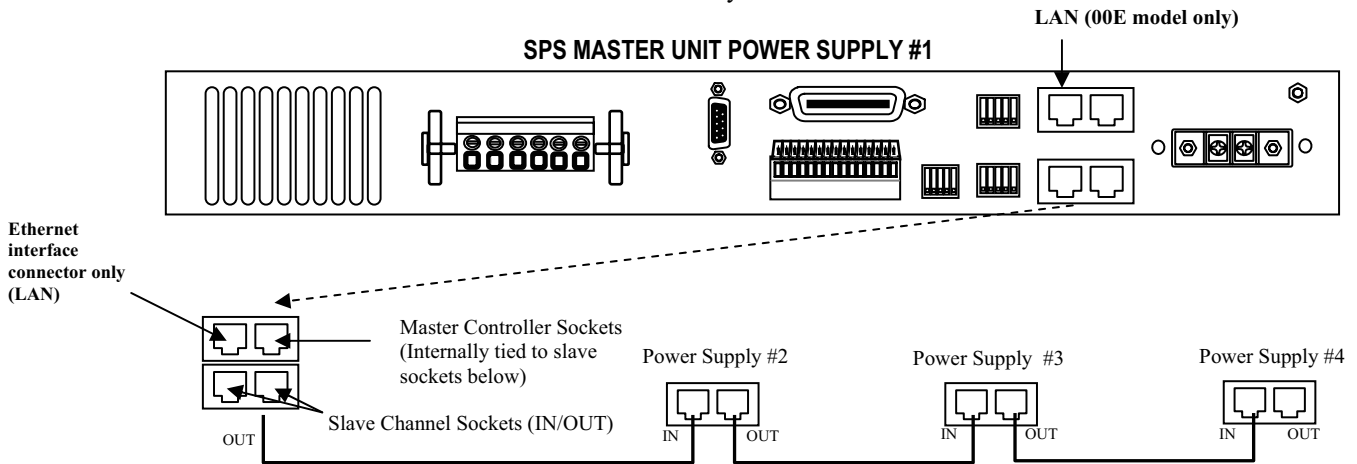
<NOTE>: Make sure to adjust the dip switch (Channel Address Switch) to the right channel when using multiple channel configuration.



**FIGURE 3.1 SYSTEM CONFIGURATION DRAWING**

***MASTER/SLAVE INSTALLATION***

Each SPS Power supply with the GPIB (SCPI) option is equipped with RJ45 sockets for connecting output channels to the Master unit. The Master unit is internally tied to the slave.



Up to a maximum of 31 outputs can be configured as shown above. And each power supply output must be assigned an output number as described in the previous section.

**NOTE:** Please see Remote Operation section - Common Command for this command SYST:IDLE. This command is use to set the power supply to slave unit or to master unit.

## ***POWER-ON INITIALIZATION***

Once the SPS Master and power slave units have been configured and AC power is applied to the Master unit, the controller will enter into an initialization period. During this period, the controller will communicate with each power supply unit and upload model number, calibration data and other data from each unit and save it into its NV-RAM for future operation of channels 1 to 31. Depending on the number of power channels connected to the RS485 bus, the initialization may take up to 2 minutes. In order to achieve correct communication, please allow 2 minutes of initialization time at power-on before sending any GPIB commands to the power supplies.

*\*User can use the GPIB command, query \*TST? Command, to verify power units' availability. Please refer to GPIB command set for more detailed information.*

## ***POWER CYCLING***



### **CAUTION**

In order to ensure the system has successfully powered on after initialization, the interval between power on/off should be more than 30 seconds. Too short an interval may cause initialization failure.

## ***USING MULTIPLE SUPPLIES***



### **WARNING**

There is a shock hazard at the load when using a power supply with a rated or combined output greater than 40V. To protect personnel against accidental contact with hazardous voltages created by series connection, ensure that the load, including connections, has no live parts, which are accessible. Also ensure that the insulation rating of the load wiring and circuitry is greater than or equal to the maximum or combined output voltage of the power supply.



### **CAUTION**

Do not connect power supplies from different manufactures in parallel or in series.

You can operate power supplies of the SAME MODEL with outputs in series or in parallel to obtain increased load voltage or increased current. Split supply operation gives you two positive outputs, see figure 3.4 and 3.5 or a positive and a negative output, see figure 3.2 and 3.3.

## CONFIGURING MULTIPLE SUPPLIES FOR SERIES OPERATION



### CAUTION

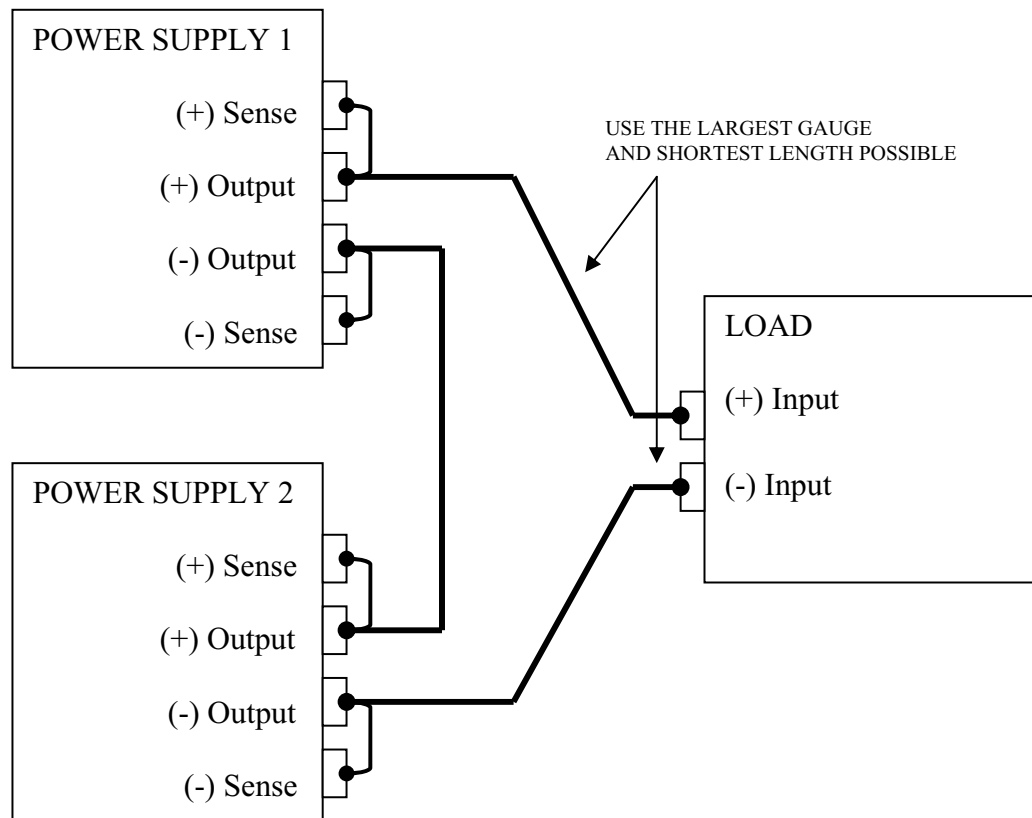
Do not use remote sensing during series operation.



### CAUTION

The maximum allowable sum of the output voltages is 600 Vdc.

Use series operation to obtain a single higher voltage output using two or more supplies. Connect the negative output terminal of one supply to the positive output terminal of the next supply. See Figure 3.2. Total voltage available is the sum of the maximum voltage of each supply. The maximum allowable current for a series string of power supplies is the output current of a single supply in the string.



**FIGURE 3.2 SERIES OPERATION OF MULTIPLE SUPPLIES**

## CONFIGURING MULTIPLE SUPPLIES FOR PARALLEL OPERATION

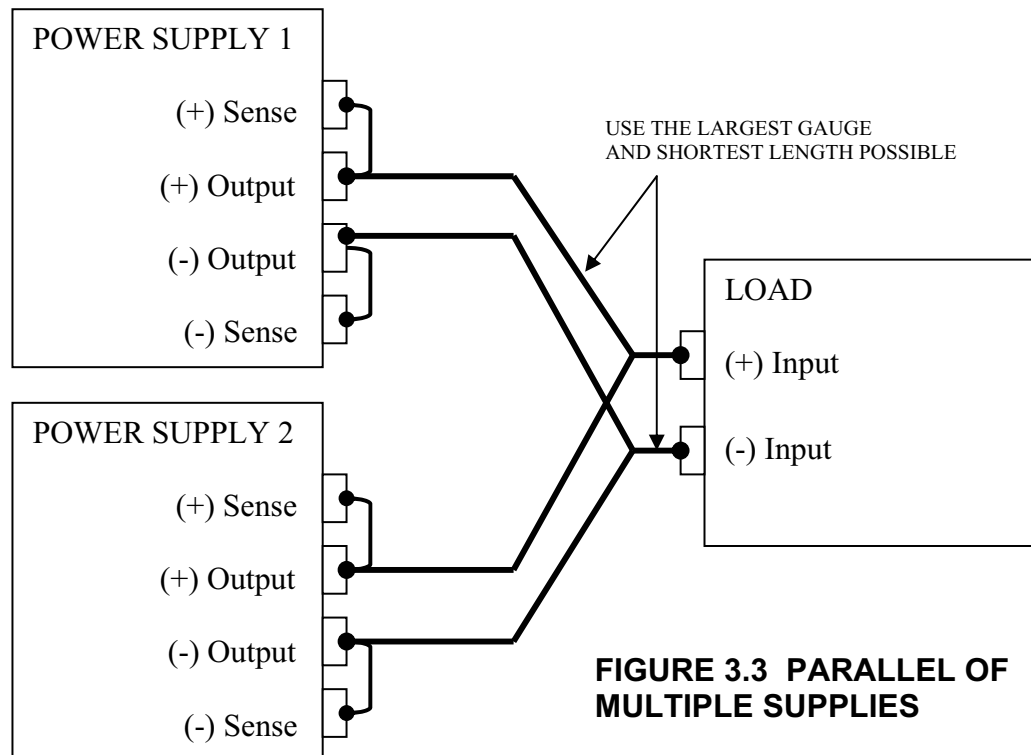
Use parallel operation to obtain a higher current through a single output using two or more supplies. Set all the OVP set point to maximum. Set all of the outputs to the same voltage before connecting the positive output terminals and negative output terminals in parallel. See Figure 3.3. The total current available is the sum of the maximum currents of each supply.

When operating multiple supplies in parallel, the operating mode of each supply depends on the load current being drawn. Example, with two 120V, 10A model power supplies operating in parallel with a 15A load, one supply operates in constant current mode supplying 10A and the other supply operates in voltage mode supplying the remaining 5A. The level of current sharing between units depends on how accurately the output voltages are matched.

<NOTE>: If you do not fix the OVP set points at maximum, the OVP circuit may trip on one unit, reducing the current available to the load.

## SENSING FOR PARALLEL OPERATION

Use default local sensing to enhance power sharing between units, as the impedance of the load lines will tend to correct for current imbalance. If you use remote sensing at the load for better voltage regulation, one supply always operates in current limit mode and supplies most of the power.



## CONFIGURING MULTIPLE SUPPLY FOR SPLIT SUPPLY OPERATION

Split supply operation uses two power supplies to obtain two positive voltages with a common ground, or to obtain a positive-negative supply.

### Two Positive Voltage

To obtain two positive voltages, connect the negative output terminals of both supplies together in a common connection. The positive output terminals will provide the required voltages with respect to the common connection. See Figure 3.4.

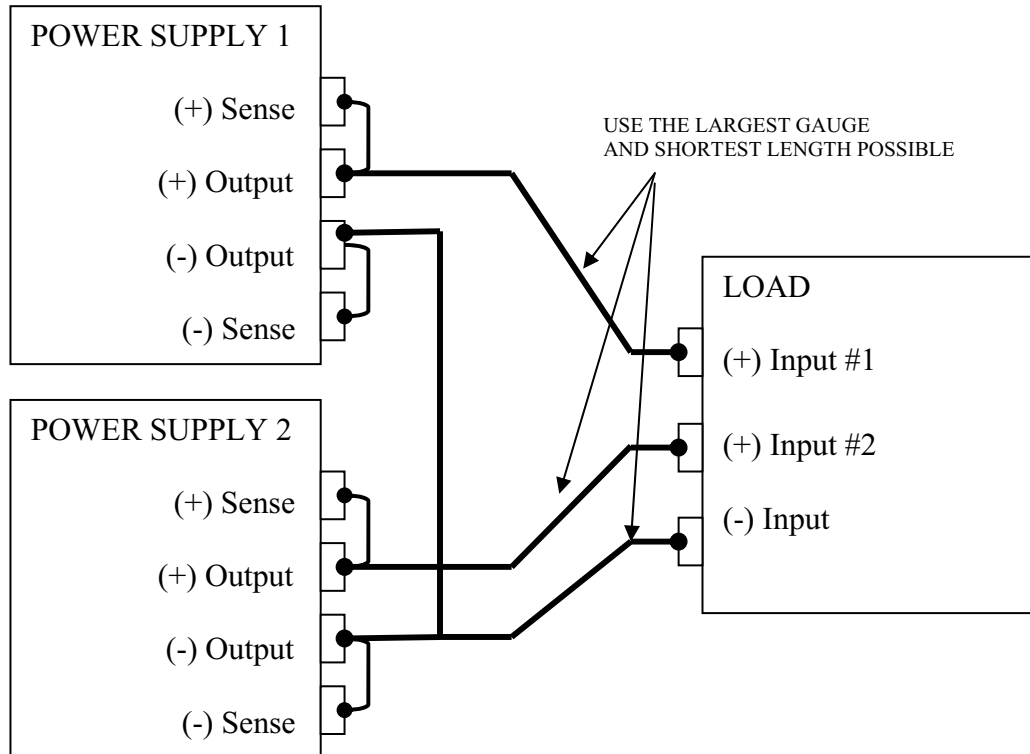


FIGURE 3.4 SPLIT SUPPLY OPERATION OF MULTIPLE SUPPLIES

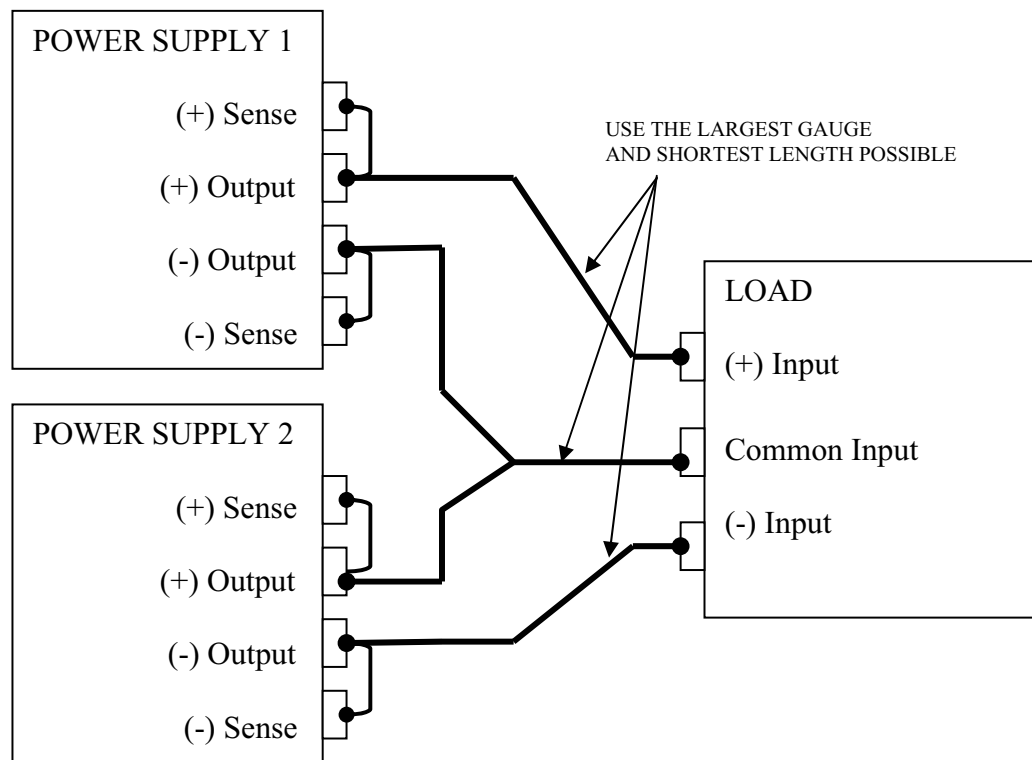
## Positive-negative Supply



### CAUTION

To prevent possible damage to the supply, do not connect the remote program return line of the negative supply to the common connection.

To obtain a positive-negative supply, connect the negative output terminal of one supply to the positive output terminal of the second supply. The positive output terminal of the first supply then provides a positive voltage relative to the common connection while the negative output terminal of the second supply provides a negative voltage. You can set the current limits independently. The maximum current available in split supply operation is equal to the rated output of the supplies. Example, 10A for two 120V, 10A models. See Figure 3.5.



**FIGURE 3.5 SPLIT SUPPLY OPERATION OF MULTIPLE SUPPLIES (POSITIVE -NEGATIVE SUPPLY)**



# ***FOUR: REMOTE OPERATION***

## ***INTRODUCTION***

AMREL SPS series Power Supplies have GPIB, RS-232 and Ethernet (OPTIONAL) interfaces for users to remotely operate.

## ***GPIB CAPABILITIES OF THE POWER SUPPLY***

All Power Supply functions except for setting the GPIB address are programmable over the GPIB.

### **GPIB Address**

The power supply operates from a GPIB address that is set from the rear panel switch. To set the GPIB address, please refer to the User's manual.

## ***RS-232 CAPABILITIES OF THE POWER SUPPLY***

The power supply provides an RS-232 programming interface. All SCPI commands are available through RS-232 programming. When the RS-232 interface is selected, the GPIB interface and Ethernet interface should not be operated.

**NOTE:** The RS-232 baud rate settings in your program must match the settings stored in non-volatile memory. If you need to change the baud rate setting, using command "SYST:CONS:BAUD <value>". Please refer to the command description for details of using this command.

### **RS-232 Flow Control**

The RS-232 interface flow control options are default set (fixed) for the power supply as following:

- Parity: NONE
- Data bit: 8
- Stop bit: 1
- Start bit: 1
- XON-XOFF: OFF
- RTS-CTS: OFF

### **Baud Rate**

You can select one of the following baud rates from the front panel, which is stored in non-volatile memory:

2400 / 4800 / 9600 / 19200 / 38400 / 57600 / 115200. (The default baud rate is set to 9600)

### **RS-232 Returned String Format**

For non-query commands: OK + LF + CR;

For queries: OK + LF + CR + returned value + LF + CR + OK + LF + CR.

Note: Using RS-232 interface to get the voltage or current read back value, a minimum 50 milliseconds delay must be added to the application program.

## RS-232 Troubleshooting

If you are having trouble communicating over the RS-232 interface, check the following:

- The computer and the SPS unit must be configured for the same baud rate, parity, number of data bits, and flow control options. Note that the SPS unit is configured for 1 start bit and 1 stop bit (these values are fixed).
- The correct interface cables or adaptors must be used.
- The interface cable must be connected to the correct serial port on your computer (COM1, COM2, etc.).

## RS-232 serial connection

### D-SUB CONNECTOR (DB-9 FEMALE)

PIN 1 ---NO CONNECTION  
PIN 2 -----RXD  
PIN 3 -----TXD  
PIN 4 -----DTR  
PIN 5 -----GND  
PIN 6 ---NO CONNECTION  
PIN 7 -----RTS  
PIN 8 ---NO CONNECTION  
PIN 9 ---NO CONNECTION

<NOTE:> The D-SUB Female Connector TXD and RXD pins are internally swapped. Therefore, interface cable between power supply and computer (controller) should not swap pins, such as a Null Modem cable.

## ***ETHERNET CAPABILITIES OF THE POWER SUPPLY (Optional for 00E models)***

The power supply provides an Ethernet programming interface as optional. All SCPI commands are also available through Ethernet programming. When the Ethernet interface is selected, the GPIB interface and RS-232 interface should not be operated.

### Obtain Network Information

To connect the power supply to the network, you only need a network cable with RJ-45 connector. No transceiver is necessary. However, you need to obtain the following information from the power supply unit and your network administrator:

1. Power supply Ethernet MAC Address:

It's a twelve digits string that unequally identifies the power supply unit. It can be obtained from the control board.

2. Network information:

- 1) DHCP server enabled? Yes or no.
- 2) Power supply IP address: \_\_\_\_\_.
- 3) Gateway IP address: \_\_\_\_\_.
- 4) Subnet mask: \_\_\_\_\_.

## Setting the Power Supply Ethernet Parameters

You need to set the power supply Ethernet IP address first. The power supply IP address uniquely identifies the power supply to other devices on the network, and is required for the power supply to communicate over the network.

1. **Ethernet Network settings: DHCP supported.** The purpose of a DHCP (Dynamic Host Configuration Protocol) server is to issue an IP address to a network device that requests an address. The IP address enables the device to communicate with the network. This is similar to personal computer Plug & Play concept.

The following procedure presumes that your power supply has the Ethernet option and you have connected the power supply to your network.

If your network supports DHCP server, do the following:

- 1) Power on the power supply.
- 2) Set IP address as: "0.0.0.0" using command: "SYST:NET:ADDR 0.0.0.0".
- 3) Set Net mask to "0.0.0.0" using command: "SYST:NET:SUBN 0.0.0.0".
- 4) Set network gateway as "0.0.0.0" using command: "SYST:NET:GAT 0.0.0.0".

**Note:** If the DHCP server assign a dynamic IP address, then the value of the power supply IP address maybe different each time you power on the power supply. However, if you intend to remotely control the power supply, a static IP address is more convenient, as the power supply IP address does not change, making it easier for remote devices to access power supply.

2. **Ethernet Network settings: DHCP not supported.** If your network does not support DHCP server, you must enter the Ethernet settings manually which you obtained from your network administrator.

The following procedure presumes that your power supply has the Ethernet option and you have connected the power supply to your network.

If your network does not support DHCP server, do the following:

- 1) Power on the power supply.
- 2) Set IP address as: "value" using command: "SYST:NET:ADDR <value>" where the value is assigned by your network administrator.
- 3) Set IP net mask as: "value" using command: "SYST:NET:SUBN <value>" where the value is provided by your network administrator.
- 4) Set IP network gateway as: "value" using command: "SYST:NET:GAT <value>" where the value is provided by your network administrator.

## Using AMREL software tools to communicate with your power supply via Ethernet interface.

American Reliance, Inc. provides free software tools for you to configure and communicate with your power supply. Please contact AMREL customer support for details.

One of the most convenient tools for you to choose is AMREL eTool4-ConfigTool. This software tool automatically checks all connected power supply units on Ethernet when both PC and the power supply units are connected to Ethernet, along with basic information of the power supply units, such as model number, maximum voltage and current, and so on. Also, it automatically sets Ethernet configurations for all connected power supply units if your network is DHCP enabled. This software tools comes with your purchase of the unit, or you can download it from AMREL ftp site. Please contact AMREL customer support for details or refer to the following.

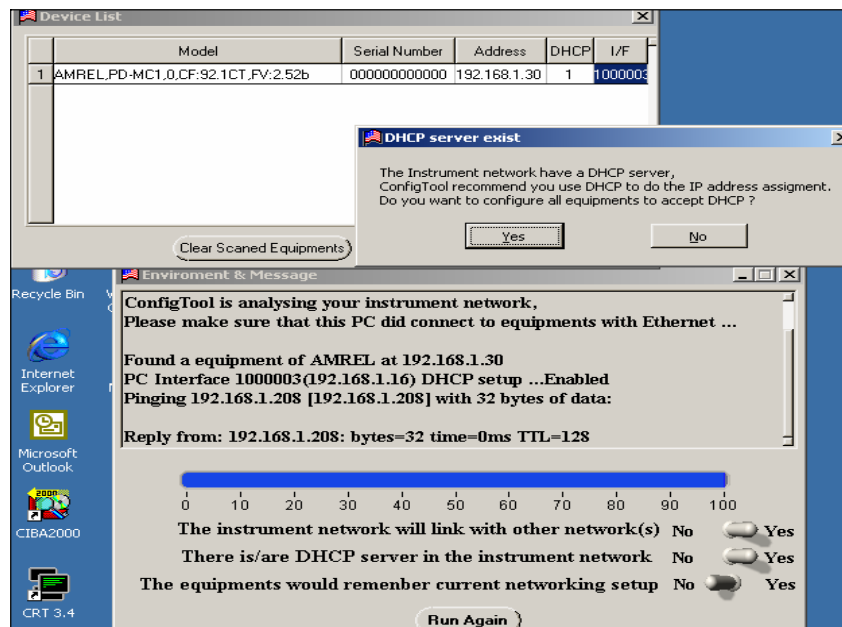
Please do the following steps to download, install and use eTool4-ConfigTool:

1. Installation:

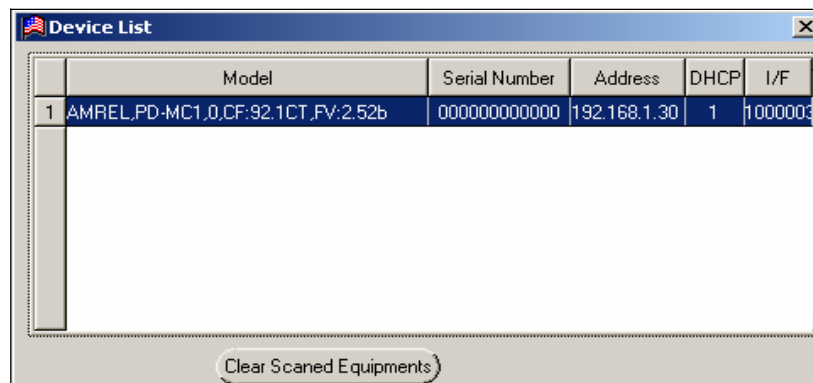
- 1) Copy all the needed files to a local computer from E-Power folder at AMREL ftp site: <ftp://66.121.66.205> (need a user name and password from AMREL authorization).
- 2) Run setup.exe file and follow the on screen instructions.
- 3) Choose “Start | Programs (or All Programs for Windows XP) | Config Tool” to run the program.

2. Configure Instrument:

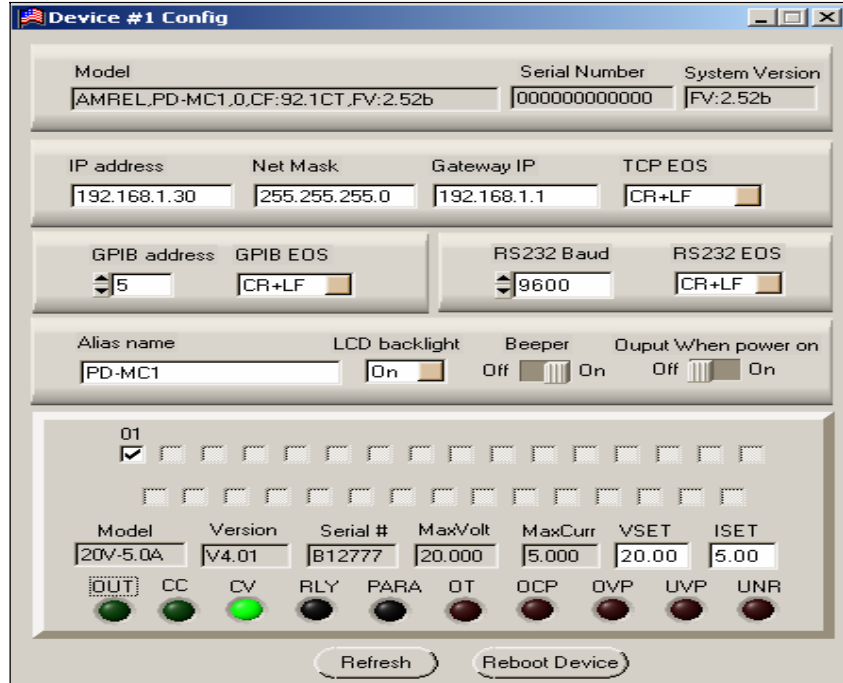
- 1) When the program first runs, the software automatically search the connected instruments and the following three panel show up:



- 2) If Users' local network supports DHCP server, users can just click “Yes” to configure all equipments to accept DHCP. Otherwise, just click “No” to ignore it.
- 3) The following panel then shows up for users to choose a unit to run. Users can select a unit from the instrument list and double click the row. The unit configuration panel then shows up for users to simply configure the unit.



- 4) Most of the information in the following device configuration panel is read from the instrument and displayed to users. It's not for users to make changes. However, users still can operate on the following settings: Beep on/off, Output when power on, VSET, ISET and OUT state by just configuring the corresponding areas showing in the following panel.



3. Close the Program.

- 1) Click "Close IO".
- 2) Click close program icon "X" to exit the program.

**Ethernet returned data string format:**

For non-query commands: OK + <EOI character>;

For queries: OK + <EOI character> + returned value + <EOI character> + OK + <EOI character>.

## ***PROGRAMMING COMMAND SET FOR SPS SERIES POWER SUPPLY***

This section gives the syntax and parameters for all the programming commands used by AMREL SPS series power supply, including the terms, symbols, and syntactical structures used here and gives an introduction to programming. You should also be familiar with front panel operation in order to understand how the power supply functions.

The programming examples are simple applications of SCPI commands. Because the SCPI syntax remains the same for all programming languages, the examples given for each command are generic.

Syntax Forms	Syntax definitions use the long form, but only short form headers (or "keywords") appear in the examples. Use the long form to help make your program self-documenting.
Parameters	Most commands require a parameter and all queries will return a parameter. The range for a parameter may vary according to the model of power supply. When this is the case, refer to the Specifications table.
Models	If a command only applies to specific models, those models are listed in the <Model> Only entry. If there is no <Model> Only entry, the command applies to all models.
Related Commands	Where appropriate, related commands or queries are included. These are listed because they are either directly related by function, or because reading about them will clarify or enhance your understanding of the original command or query.
Order of Presentation	The manual is organized according to the following categories: common commands, subsystem commands, Non-SCPI commands, and IEEE 488.1 commands. Each category commands that follow are arranged in alphabetical order. Section 1, command list includes all the commands.

### ***COMMON COMMANDS LIST***

*CLS	Clears status
*ESE <n>	Enables standard event status
*ESE?	Returns standard event status
*ESR?	Returns event status register
*IDN?	Returns instrument identification
*OPC	Enables "operation complete" bit in ESR
*OPC?	Returns a "1" when operation completes
*RCL	Recalls profile settings
*RST [<channel>]	Resets
*SAV [<channel>] [n]	Saves instrument state and profile
*SAV? <channel>	Returns saving status
*SRE <n>	Sets service request enable register
*SRE?	Returns service request enable register
*STB?	Returns status byte
*TRG	Trigger
*TST?	Performs self-test and returns test result

## ***SUBSYSTEM COMMANDS SYNTAX***

ABORt	Resets the trigger system to idle state
CALibrate	
:CURRent	Enters the current calibration value
[:DATA] <channel> <value>	Sets the current calibration point
:LEVel <channel> <n>	Resaves current calibration data
:SAVe <channel> <n>	Sets / Queries calibration offset value
:OFFSet <channel> <n> <value>	Sets calibration password
:PASSword <channel> [<password>]	Saves new calibration constants
:SAVe <channel>	Sets / Queries calibration slope value
:SLOPe <channel> <n> <value>	Sets / Queries calibration state
:STATe <channel> <bool> [<password>]	
:VOLTagE	Enters the voltage calibration value
[:DATA] <channel> <value>	Sets the voltage calibration point
:LEVel <channel> <n>	Resaves voltage calibration data
:SAVe <channel> <n>	
CHANnel	
:MODEl? <channel>	Returns model number
:SHUTdown <channel> <n>	Sets / Queries output shut down time
:SERial <channel> <serial-number>	Sets / Queries serial number
:VERSion? <channel>	Returns channel version
CURRent	
[:LEVel]	
[IMMediate] <channel> <value>	Sets / Queries the output current level
:TRIGgered <channel> <value>	Sets / Queries the current triggered level
:PROTection	
:CLEar <channel>	Resets latched current protection
:STATe <channel> <bool>	Sets / Queries current protection state
LIST	
:COUNT <channel> <count>	Sets / Queries the number of times for a list
:CURRent <channel> <point> <value>	Sets / Queries current value for a list point
:STATe <channel> <bool>	Sets / Queries current list state
:STEP <channel> <n>	Sets / Queries list step
:TIME <channel> <point> <value>	Sets / Queries current dwelling time for a list point
:VOLTagE <channel> <point> <value>	Sets / Queries voltage value for a list point
:STATe <channel> <bool>	Sets / Queries voltage list state
:STEP <channel> <n>	Sets / Queries voltage list step
:TIME <channel> <point> <value>	Set / Queries voltage dwelling time for a list point
MEASure	
:CURRent? <channel>	Returns current measured value
:DELay <n>	Sets / Queries delay time for measuring
:VCOUT? <channel>	Returns both voltage and current measured value
:VOLTagE? <channel>	Returns voltage measured value

OUTPut	
[:STATe] <channel> <bool>	Sets / Queries output status
:PROTection	
:CLEar <channel>	Resets latched protection
:RELAy	
[:STATe] <channel> <bool>	Sets / Queries output relay state
:POLarity <channel> <polarity>	Sets / Queries output relay polarity
PARAllel	
:CLEar <group>	Clears channels assigned to parallel group
:CURRent <group> <value>	Sets / Queries average current value for each channel inside a parallel group
:GROUp <group> <channel>	Sets / Queries assigned channels for a group
:OUTPut	
:RELAy <group> <bool>	Sets relay state for each channel
:RELAy:POLarity <group> <n>	Sets relay polarity for each channel
:TRIGger <group> <bool>	Sets output state for each channel
:STATe <group> <bool>	Sets / Queries parallel current sharing state
:VOLTagE <group> <value>	Sets / Queries voltage value for a group
STATUs	
:OPERation	
[:EVENT]? <channel>	Returns the value of operation event register
:QUEStionable	
[:EVENT]? <channel>	Returns the value of questionable event register
:ENABLe <channel>	Enables / Queries the specific bit in the questionable enable register
SYSTem	
:BUZZer <bool>	Sets / Queries system buzzer mode
:CHANnel:MAXimum <n>	Sets / Queries maximum number of channels in a system
:CONSol	
:BAUD <baudrate>	Sets / Queries RS-232 baud rate value
:EOS <n>	Sets / Queries RS-232 EOS mode
:DEFault:OUTPut <n>	Sets / Queries default power on output status
:EOS <n>	Sets / Queries current interface EOS mode
:ERRor?	Returns error number and string
:GPIB:EOS	Sets / Queries GPIB EOS mode
:IDLE	Sets / Queries Master/Slave mode
:NET	
:ADDReSS	Sets / Queries Ethernet IP address
:DHCP?	Queries if the DHCP is enabled
:EOS	Sets / Queries Ethernet EOS mode
:GATE	Sets / Queries Ethernet default gateway IP address
:STATe?	Queries Ethernet configuration state
SUBNet	Sets / Queries Ethernet subnet value
:PROT	Returns value of Protect Event Status register
:VERSiOn?	Returns the firmware version number
TRIGger	
[:STARt]	
[:IMMediate]	Enables output trigger
:DELay <channel> <value>	Sets / Queries delay time for output trigger



## VOLTage

[:LEVel]	
[:IMMediate] <channel> <value>	Sets / Queries the output voltage level
:TRIGgered <channel> <value>	Sets / Queries the voltage triggered level
:PROTection	
:CLEar <channel>	Resets latched voltage protection
:COUNT <channel> <value>	Sets / Queries over-voltage protection counts
[:LEVel] <channel> <value>	Sets / Queries over voltage protection level
:STATe <channel> <bool>	Sets / Queries over voltage protection state
:UNDer:[STATe] <channel> <bool>	Sets / Queries under voltage protection state

## ***NON-SCPI COMMANDS***

CURR:CAL:SAVE <channel> <n>	Resaves current calibration data
MOD? <channel>	Returns model number
PARA:CLE <group>	Clears channels assigned to parallel group
PARA:CURR <group> <value>	Sets / Queries average current value for each channel inside a parallel group
PARA:GROup <group> <channel>	Sets / Queries assigned channels for a group
PARA:OUTP:RELAy <group> <bool>	Sets relay state for each channel
PARA:OUTP:RELAy:POL <group> <n>	Sets relay polarity for each channel
PARA:OUTP:TRIG <group> <bool>	Sets output state for each channel
PARA:STAT <group> <bool>	Sets / Queries parallel current sharing state
PARA:VOLT <group> <value>	Sets / Queries voltage value for a group
PROT:CHAN?	Returns protected channel number
SERI <channel> <serial-number>	Sets / Queries serial number
SHUT:DOWN <channel> <value>	Sets / Queries output shut down time
SYST:CHAN <channel>	Sets / Queries current active channel
SYST:OFFSet <channel> <n> <value>	Sets / Queries calibration offset value
SYST:SLOPe <channel> <n> <value>	Sets / Queries calibration slope value
SYST:STATUS	Queries power supply status
VOLT:CAL:SAVE <channel> <n>	Resaves voltage calibration data

## ***IEEE 488.1 COMMANDS***

IOUT? <channel>	Returns output current
IOUT1?	Returns output current for channel 1
IOUT2?	Returns output current for channel 2
ISET <channel> <value>	Sets current limit
ISET1 <value>	Sets current limit for channel 1
ISET2 <value>	Sets current limit for channel 2
ISET? <channel>	Returns setting current value
ISET1?	Returns setting current value for channel 1
ISET2?	Returns setting current value for channel 2
OCP <channel> <bool>	Sets over current protection state
OCP1 <bool>	Sets over current protection for channel 1
OCP2 <bool>	Sets over current protection for channel 2
OUT <channel> <bool>	Sets output state
OUT1 <bool>	Sets output state for channel 1
OUT2 <bool>	Sets output state for channel 2
OVP <channel> <bool>	Sets over voltage protection state
OVP1 <bool>	Sets over voltage protection state for channel1
OVP2 <bool>	Sets over voltage protection state for channel2

OVSET <channel>	Sets over voltage protection level
OVSET1	Sets over voltage protection level for channel1
OVSET2	Sets over voltage protection level for channel2
OVSET? <channel>	Returns over voltage protection level
OVSET1?	Returns over voltage protection level for channel 1
OVSET2?	Returns over voltage protection level for channel 2
STATUS?	Returns status for both channel 1 and 2
VOUT? <channel>	Returns output voltage value
VOUT1?	Returns output voltage value for channel 1
VOUT2?	Returns output voltage value for channel 2
VSET <channel> <value>	Sets voltage level
VSET1 <value>	Sets voltage level for channel 1
VSET2 <value>	Sets voltage level for channel 2
VSET? <channel>	Returns setting voltage value
VSET1?	Returns setting voltage value for channel 1
VSET2?	Returns setting voltage value for channel 2

## ***DESCRIPTION OF COMMON COMMANDS***

Common commands begin with an \* and consist of three letters (command) or three letters and a “?” (query). They are defined by the IEEE 488.2 standard to perform common interface functions. The SPS series power supply responds to the following commands:

### **\*CLS**

#### **Meaning and Type**

*Clear Status Device Status*

#### **Description**

This command causes the following actions (see "Status Reporting" for descriptions of all registers):

- Clears the following registers:
  - Standard Event Status (“\*ESR?” returned value)
  - Status Byte (“\*STB?” returned value)
- Clears the Error Queue (“SYST:ERR?” returned value)
- Also clears over-voltage protection status (to comply with AMREL old 488.1 unit).

Command Syntax	*CLS
Parameters	(None)
Query Syntax	(None)
Related Commands	*ESR? *STB? SYST:ERR?

**\*ESE**

**Meaning and Type**

*Event Status Enable Device Status*

**Description**

This command programs the Standard Event Status Enable register bits. The programming value determines which events of the Standard Event Status Event register (see **\*ESR?**) are allowed to set the Event Summary Bit of the Status Byte register. A "1" in the bit position enables the corresponding event. All of the enabled events of the Standard Event Status Event register are logically ORed to cause the Event Summary Bit of the Status Byte register to be set.

**Bit Configuration of Standard Event Status Enable Register Table:**

<b>Bit Position</b>	<b>7</b>	<b>6</b>	<b>5</b>	<b>4</b>	<b>3</b>	<b>2</b>	<b>1</b>	<b>0</b>
<b>Bit Name</b>	<b>PON</b>	<b>0</b>	<b>CME</b>	<b>NU</b>	<b>NU</b>	<b>QYE</b>	<b>0</b>	<b>OPC</b>
<b>Bit Weight</b>	<b>128</b>	<b>64</b>	<b>32</b>	<b>16</b>	<b>8</b>	<b>4</b>	<b>2</b>	<b>1</b>
CME = Command error; OPC = Operation complete; PON = Power-on; QYE = Query error; NU = Not used.								

Command Syntax	<b>*ESE &lt;NR1&gt;</b>
Parameters	<i>0 to 255</i>
Power On Value	128
Suffix	(None)
Example	<b>*ESE 32</b>
Query Syntax	<b>*ESE?</b>
Returned Parameters	<NR1> (Register decimal value)
Related Commands	<b>*ESR? *STB? *OPC*</b>

<Note> \*: The OPC bit at the register cannot be set through **\*ESE** command. It must use **\*OPC** command. But the OPC bit can only be cleared by executing **\*ESE** command.

**\*ESR?**

**Meaning and Type**

*Event Status Register Device Status*

**Description**

This query reads the Standard Event Status Event register. Reads the register and clears it. The bit configuration of this register is the same as the Standard Event Status Enable register (**\*ESE**).

Query Syntax	<b>*ESR?</b>
Parameters	(None)
Returned Parameters	<NR1> (Register decimal value)
Related Commands	<b>*CLS *ESE *ESE? *OPC</b>

**\*IDN?**

*Identification Query*

**Meaning and Type**

*Identification System Interface*

**Description**

This query requests the power supply to identify itself. It returns a string composed of five fields separated by commas.

Query Syntax	*IDN?	
Returned Parameters	<CRD>	
	Field	Information
	AMREL,	Manufacturer
	xxxxx-xx,	Model number
	0,	
	CF:92.CT,	
	FV:x.xx	Revision levels of firmware
Example	AMREL,SPS-MC1,0,CF:92.1CT,FV2.47	
Related Commands	(None)	

**\*OPC**

**Meaning and Type**

*Operation Complete Device Status*

**Description**

This command causes the interface to set the OPC bit (bit 0) of the Standard Event Status register when the power supply has completed all pending operations. (see \*ESE for the bit configuration of the Standard Event Status register.) Pending operations are complete when:

- All commands sent before \*OPC have been executed. This includes overlapped commands. Most commands are sequential and are completed before the next command is executed. Overlapped commands are executed in parallel with other commands. Commands that affect output voltage, current or state, relays, and trigger actions are overlapped with subsequent commands sent to the power supply. The \*OPC command provides notification that all overlapped commands have been completed.
- Any change in the output level caused by previous commands has been completed (completion of settling time, relay bounce, etc.)
- All triggered actions are completed.

\*OPC does not prevent processing of subsequent commands but Bit 0 will not be set until all pending operations are completed.

Command Syntax	*OPC
Parameters	(None)
Related Commands	*OPC? *ESE?

**\*OPC?**

**Meaning and Type**

*Operation Complete Device Status*

**Description**

This query causes the interface to place an ASCII "1" in the Output Queue when all pending operations are completed. *Pending operations* are as defined for the \*OPC command. Unlike \*OPC, \*OPC? prevents processing of all subsequent commands. \*OPC? is intended to be used at the end of a command line so that the application program can then monitor the bus for data until it receives the "1" from the power supply Output Queue.

**CAUTION:** Do not follow \*OPC? with \*TRG or GPIB bus triggers. Such triggers sent after \*OPC? will be prevented from executing and will prevent the power supply from accepting further commands.

**\*RCL**

**Meaning and Type**

*Recall Device State*

**Description**

This command recalls the power supply profile settings, which is saved by \*SAV command.

Command Syntax	*RCL [<channel>] [n]
Parameters	<channel>: 1 – 31, channel number n: 0 – 3, profile number.
Query Syntax	(None)
Related Commands	*SAV

**\*RST**

**Meaning and Type**

*Reset Device State*

**Description**

This command resets the power supply to a factory-defined state as defined below. \*RST also forces an **ABORT** command.

<u>COMMAND</u>	<u>STATE</u>	<u>COMMAND</u>	<u>STATE</u>	<u>COMMAND</u>	<u>STATE</u>
CAL:STAT	OFF	LIST:VOLT:STAT	OFF	TRIG:DEL	0
CURR[:LEV][:IMM]	1.0	LIST:VOLT:STEP	NONE	UNDER:PROT:STAT	OFF
CURR:PROT:STAT	OFF	OUTP:REL:POL	NORM	VOLT[:LEV][:IMM]	5.0
LIST:COUN	0	OUTP:REL[:STAT]	OPEN	VOLT:PROT:LEV	MAX
LIST:CURR:STAT	OFF	UTP[:STAT]	OFF	VOLT:PROT:STAT	OFF
LIST:CURR:STEP	NONE	PARA:STAT	OFF		

Command Syntax	*RST [<channel>] *
Parameters	None or 1 – 31
Query Syntax	(None)
Related Commands	*SAV

<Note> \*: If this command is sent without a channel number, it resets all channels connected to the master controller.

## **\*SAV**

### **Meaning and Type**

*Save Device State*

### **Description**

This command stores the present state of the power supply to a specified location in memory, and the profile settings. If a particular state is desired at power on, it should be stored in a profile number 0. It then will be recalled at power on if the power supply configuration switch is set for this mode of operation.

The following power supply states are stored by **\*SAV**:

CURR[:LEV][:IMM] VOLT[:LEV][IMM] VOLT:PROT[:LEV], LIST:COUN, LIST:CURR,  
LIST:CURR:TIM, LIST:VOLT, LIST:VOLT:TIM

Command Syntax	*SAV <channel> [n]
Parameters	channel: 1 to 31 n: 0 to 3, profile number
Query Syntax	*SAV? <channel>
Returned Parameter	<NR1> 0   1 0 Indicates saving successfully 1 Indicates saving in processing
Related Commands	*RST, *RCL

**NOTE:** If saved without the profile number (**\*SAV <channel>**), it may require 2-3 minutes processing time or at least wait until query returns to 0.

## **\*SRE**

### **Meaning and Type**

*Service Request Enable Device Interface*

### **Description**

This command sets the condition of the Service Request Enable register. This register determines which bits from the Status Byte register (see **\*STB** for its bit configuration) are allowed to generate an SRQ. A 1 in any Service Request Enable register bit position enables the corresponding Status Byte register bit and all such enabled bits then are logically ORED to cause Bit 6 of the Status Byte register to be set.

When **\*SRE** is cleared (by programming it with 0), the power supply cannot generate an SRQ to the controller.

Command Syntax	*SRE <NR1>
Parameters	0 to 255
Default Value	0
Example	*SRE 32
Query Syntax	*SRE?
Returned Parameters	<NR1> Register decimal value
Related Commands	*ESE *ESR

**\*STB?**

**Meaning and Type**

*Status Byte* Device Status

**Description**

This query reads the Status Byte register, which contains the status summary bits. Reading the Status Byte register does not clear it. It is cleared at power on or by \*CLS.

**Bit Configuration of Status Byte Register Table:**

<b>Bit Position</b>	<b>7</b>	<b>6</b>	<b>5</b>	<b>4</b>	<b>3</b>	<b>2</b>	<b>1</b>	<b>0</b>
<b>Bit Name</b>	<b>NU</b>	<b>SRQ</b>	<b>SE</b>	<b>MSA</b>	<b>QD</b>	<b>NU</b>	<b>NU</b>	<b>NU</b>
<b>Bit Weight</b>	<b>128</b>	<b>64</b>	<b>32</b>	<b>16</b>	<b>8</b>	<b>4</b>	<b>2</b>	<b>1</b>
MSA = Message available; NU = Not used; QD = Questionable data enable register; SE = Standard event enable register; SRQ = Service request.								

Query Syntax	*STB?
Returned Parameters	<NR1> Register decimal value
Related Commands	(None)

**\*TRG**

**Meaning and Type**

*Trigger* Device Trigger

**Description**

This command generates a trigger to power supply.

Command Syntax	*TRG
Parameters	(None)
Query Syntax	(None)
Related Commands	ABOR; CURR:TRIG TRIG[:IMM]; VOLT:TRIG

**\*TST?**

**Meaning and Type**

*Test* Device Test

**Description**

This query causes the power supply to do a self-test and report any errors.

Query Syntax	*TST?
Returned Parameters	<CRD> A string representing a 4-byte Hexadecimal value with a "&H" header. Each bit represents self-test result for the corresponding channel: 0 Indicates power supply passed self-test. 1 Nonzero, indicates an error.
Related Commands	*VRF

**Bit configuration of \*TST? query returned value corresponding to channel number table:**

<b>Bit Position</b>	7	6	5	4	3	2	1	0
<b>Channel</b>	<b>8</b>	<b>7</b>	<b>6</b>	<b>5</b>	<b>4</b>	<b>3</b>	<b>2</b>	<b>1</b>
<b>Bit Position</b>	15	14	13	12	11	10	9	8
<b>Channel</b>	<b>16</b>	<b>15</b>	<b>14</b>	<b>13</b>	<b>12</b>	<b>11</b>	<b>10</b>	<b>9</b>
<b>Bit Position</b>	23	22	21	20	19	18	17	16
<b>Channel</b>	<b>24</b>	<b>23</b>	<b>22</b>	<b>21</b>	<b>20</b>	<b>19</b>	<b>18</b>	<b>17</b>
<b>Bit Position</b>	31	30	29	28	27	26	25	24
<b>Channel</b>	<b>NU</b>	<b>31</b>	<b>30</b>	<b>29</b>	<b>28</b>	<b>27</b>	<b>26</b>	<b>25</b>

<Note> 1) Example: If the returned string is “&H7FFFFFFE”, it means only channel 1 was connected and passed the self-test by converting the Hexadecimal value “7FFFFFFE” to binary value which is “0111 1111 1111 1111 1111 1111 1110” and comparing the bit configuration with the above table to get the channel number.

<Note> 2) Example: If the returned value is a series of numbers, such as “26 48 37 46 46 46 46 46 46 46 45”, it represents ASCII code in Hexadecimal format, same as “&H7FFFFFFE “. It means only channel 1 was connected and passed the self-test.

***DESCRIPTION OF SUBSYSTEM COMMANDS***

**ABOR**

This command cancels any trigger actions presently in process. Pending trigger levels are reset equal to their corresponding immediate values. **ABOR** also cancels any programmed lists that may be in process. **ABOR** also resets the WTG bit in the Operation Condition Status register. **ABOR** is executed at power turn on and upon execution of **\*RST**.

Command Syntax	ABORt
Parameters	(None)
Examples	ABOR
Query Syntax	(None)
Related Commands	*RST *TRG TRIG



## CALIBRATION SUBSYSTEM

The commands in this subsystem allow users to do the following:

- Enable and disable the calibration mode.
- Calibrate the current and voltage output levels, and store new calibration constants in nonvolatile memory.
- Reload calibration data and store it in nonvolatile memory.

### CAL:CURR

This command can only be used in the calibration mode. It enters a current value that users obtain by reading an external meter. Users must first select a calibration level (**CAL:CURR:LEV**) for the value being entered. Two successive values (one for each end of the calibration range) must be selected and entered. The power supply then computes new current calibration constants. These constants are **not** stored in nonvolatile memory until saved with the **\*SAV <channel>** commands.

Command Syntax	CALibrate:CURRent[:DATA] <channel> <NRf>
Parameters	<channel>: 1 – 31 (channel number) <NRf>: External reading in Amps
Examples	CAL:CURR 1 3.2223 CAL:CURR:DATA 1 5.000
Query Syntax	(None)
Related Commands	CAL:SAV CAL:STAT CAL:CURR:LEV

### CAL:CURR:LEV

This command can only be used in the calibration mode. It sets the power supply to a current calibration point that is then entered with **CAL:CURR[:DATA]**. During calibration, three points must be entered and the low-end point (**MIN**) must be selected and entered first.

Command Syntax	CALibrate:CURRent:LEVel <channel > <CRD>
Parameters	<channel >: 1 – 31, channel number <CRD>: MIN   MID   MAX
Examples	CAL:CURR:LEV 1 MIN; CAL:CURR:LEV 1 MAX
Query Syntax	(None)
Related Commands	CAL:CURR[:DATA] CAL:STAT

### CAL:CURR:SAV

This commands reloads the current calibration constants to power supply. These constants are **not** stored in nonvolatile memory until saved with the **\*SAV <channel>** commands.

Command Syntax	CALirate:CURRent:SAVe <channel> <NR1> CURRent:CALibrate:SAVe <channel> <NR1>
Parameters	<channel>: 1 – 31, channel number <NR1>: 1 – 4, Calibration mode 1 Voltage output 2 Current output 3 Voltage read back 4 Current read back
Examples	CAL:CURR:SAV 1 2; CURR:CAL:SAV 1 4
Query Syntax	(None)
Related Commands	*SAV

### CAL:OFFS

This command resets or queries the power supply's calibration offset constant value. These constants are **not** stored in nonvolatile memory until saved with the **CAL:CURR:SAV** or **CAL:VOLT:SAV** and **\*SAV** commands.

Command Syntax	CALibrate:OFFSet <channel> <NR1> <NRf> SYSTem:OFFSet <channel> <NR1> <NRf>
Parameters	channel: 1-31, channel number <NR1>: 0 – 4, calibration mode 0 OVP offset 1 Voltage output 2 Current output 3 Voltage read back 4 Current read back
Example	<NRf>: offset value SYST:OFFS 1 1 -0.0665278
Query Syntax	CAL:OFFS 1 1 -0.0665278 SYSTem:OFFSet? <channel> <NR1>
Return Parameter	CALibrate:OFFSet? <channel> <NR1>
Related Commands	<NRf>: calibration offset constant value CAL:CURR:SAV; CAL:VOLT:SAV; *SAV

### CAL:PASS

This command sets calibration password.

Command Syntax	CALibrate:PASSword <channel> [<CRD1>] [<CRD2>]
Parameters	<channel>: 1 – 31, channel number <CRD1>: character string for old calibration password. <CRD2>: character string for new password.
Example	CAL:PASS 1 12345 – sets calibration password as “12345”. CAL:PASS 1 12345 54321 – sets new calibration password as “54321”
Query syntax	(None)
Related commands	CAL:STAT

**Note:** The power supply unit default password is empty (no password). If this command has only one character string field, it is used to set the first password (the old password is empty – no old password). If the old password exists, the first character string field must match the old password. Otherwise, an error message is generated.

### CAL:SAV

This command can only be used in the calibration mode. It saves any new calibration constants (after a current or voltage calibration procedure has been completed) in nonvolatile memory.

Command Syntax	CALibrate:SAVe <channel >
Parameters	<channel >: 1 – 31, channel number
Examples	CAL:SAV 1
Query Syntax	(None)
Related Commands	CAL:CURR CAL:VOLT CAL:STAT

### CAL:SLOP

This command resets or queries the power supply's calibration slope constant value. These constants are **not** stored in nonvolatile memory until saved with the **CAL:CURR:SAV** or **CAL:VOLT:SAV** and **\*SAV** commands.

Command Syntax	CALibrate:SLOPe <channel> <NR1> <NRf> SYSTem:SLOPe <channel> <NR1> <NRf>
Parameters	<channel>: 1-31, channel number <NR1>: 0 – 4, calibration mode 0 OVP slope 1 Voltage output 2 Current output 3 Voltage read back 4 Current read back
Examples	<NRf>: slope value, obtained from the query SYST:SLOPE 1 1 -0.0665278 CAL:SLOP 1 1 -0.0665278
Query Syntax	SYST:SLOPE? <channel> <NR1>
Return Parameter	CAL:SLOP? <channel> <NR1>
Related Commands	<NRf>: calibration slope constant value CAL:CURR:SAV; CAL:VOLT:SAV; *SAV

### CAL:STAT

This command enables and disables the calibration mode. The calibration mode must be enabled before the power supply will accept any other calibration commands. Whenever the calibration mode is changed from enabled to disabled, any new calibration constants are lost unless they have been stored with **CAL:SAVE**.

Command Syntax	CALibrate:STATe <channel> <bool> [<password>]
Parameters	<channel>: 1 – 31, channel number <bool>: 0   OFF   1   ON <password>: Calibration password.
*RST Value	OFF
Examples	CAL:STAT 1 ON; CAL:STAT 1 OFF
Query Syntax	CALibrate:STATe? <channel>
Returned Parameters	0   1
Related Commands	CAL:SAV

**Note:** (If the calibration password is set, the password string must match the existing password. Otherwise, gives an error message).

### CAL:VOLT

This command can only be used in the calibration mode. It enters a voltage value that is obtained from an external meter. Users must first select a calibration level (**CAL:VOLT:LEV**) for the value being entered. Two successive values (one for each end of the calibration range) must be selected and entered. The power supply then computes new voltage calibration constants. These constants are **not** stored in nonvolatile memory until saved with the **CAL:SAVE** command.

Command Syntax	CALibrate:VOLTage[:DATA] <channel> <NRf>
Parameters	<channel>: 1 – 31, channel number <NRf>: External meter value in Volts
Examples	CAL:VOLT 1 3.1024; CAL:VOLT 1 5.000
Query Syntax	(None)
Related Commands	CAL:SAV; CAL:STAT; CAL:VOLT:LEV

### **CAL:VOLT:LEV**

This command can only be used in the calibration mode. It sets the power supply to a voltage calibration point that is then entered with **CAL:VOLT[:DATA]**. During calibration, two points must be entered and the low-end point (**MIN**) must be selected and entered first.

Command Syntax	CALibrate:VOLTage:LEVel <channel> <CRD>
Parameters	<channel>: 1 – 31, channel number <CRD>: MINimum   MAXimum
Examples	CAL:VOLT:LEV 1 MIN; CAL:VOLT:LEV 1 MAX
Query Syntax	(None)
Related Commands	CAL:VOLT[:DATA]; CAL:STAT

### **CAL:VOLT:SAV**

This commands reloads the voltage calibration constants to power supply. These constants are **not** stored in nonvolatile memory until saved with the **\*SAV <channel>** commands.

Command Syntax	CALibrate:VOLTage:SAVe <channel> <NR1> VOLTage:CALibrate:SAVe <channel> <NR1>
Parameters	<channel>: 1 – 31, channel number <NR1>: 1 – 4, Calibration mode 1 Voltage output 2 Current output 3 Voltage read back 4 Current read back
Examples	CAL:VOLT:SAV 1 2; VOLT:CAL:SAV 1 4
Query Syntax	(None)
Related Commands	*SAV

## ***CHANNEL SUBSYSTEM***

The commands in this subsystem only exist in Master – Slave power supply system. They allow users to do the following:

- Query individual channel’s model information.
- Set or query output shut down time.

### **CHAN:MOD?**

This query returns the model number of a specified channel.

Query Syntax	CHANnel:MODEl? <channel> MODEl? <channel>
Parameters	<channel>: 1 – 31, channel number
Returned Parameters	<CRD> represents model number
Examples	CHAN:MOD? 1            MOD? 1
Related Commands	(None)

**CHAN:SER**

This command sets or queries the power supply's serial number for a specified channel.

Command Syntax	CHANnel:SERial <channel> <CRD> SERI <channel> <CRD>
Parameters	<channel>: 1 –31, channel number <CRD>: 6 characters long
Examples	CHAN:SER 1 B12345; SERI 1 B12543
Query Syntax	CHAN:SER? <NR1> SERI? <NR1>
Returned parameters	<CRD> represents serial number
Related Commands	(None)

**CHAN:SHUT** (optional feature)

This command programs output to zero for a specified time.

Command Syntax	CHAN:SHUT <channel> <NR1>
Parameters	Channel: 1 –31, channel number <NR1>: 0 – 30, shut down time
Default suffix	<i>ms</i>
Examples	CHAN:SHUT 1 30; SHUT:DOWN 1 25
Query Syntax	CHAN:SHUT? <channel> SHUT:DOWN? <channel>
Returned parameters	<NR1> represents time in millisecond
Related Commands	(None)

**CHAN:VERS?**

This query returns the power supply's firmware version number for a specified channel.

Query Syntax	CHAN:VERS? <channel>
Parameters	<channel>: 1 –31, channel number
Examples	CHAN:VERS? 1
Returned parameters	<CRD> represents firmware version number
Related Commands	SYST:VERS?

## ***CURRENT SUBSYSTEM***

This subsystem programs the output current of the power supply.

### **CURR**

This command directly programs the immediate current level of the power supply. The immediate level is the current applied at the output terminals.

Command Syntax	CURRent[:LEVel][:IMMediate] <channel> <NRf>
Parameters	<channel>: 1 – 31, channel number <NRf>: minimum to maximum current value of the channel
Default Suffix	<i>A</i>
*RST Value	1.0
Examples	CURR 1 0.500; CURR:LEV 1 30.0
Query Syntax	CURRent[:LEVel] [:IMMediate]? <channel> CURRent[:LEVel] [:IMMediate]? <channel> MAX CURRent[:LEVel] [:IMMediate]? <channel> MIN
Returned Parameters	<NRf>: CURR? returns the present programmed current level. CURR? MAX and CURR? MIN return the maximum and minimum programmable current levels.
Related Commands	*SAV *RST

### **CURR:TRIG**

This command programs the pending current trigger level of the power supply. The pending current trigger level is a stored value that is transferred to the output terminals when a trigger occurs. A pending triggered level is unaffected by subsequent **CURR** commands and remains in effect until the trigger subsystem receives a trigger or an **ABORT** command is given. If there is no pending trigger level, then the query form returns the immediate current limit level.

Command Syntax	CURRent[:LEVel]:TRIGgered <channel> <NRf>
Parameters	<channel>: 1 – 31, channel number <NRf>: minimum to maximum current value of the channel
Default Suffix	<i>A</i>
*RST Value	1.0
Examples	CURR:TRIG 1 12.000; CURR:LEV:TRIG 1 1.2
Query Syntax	CURRent[:LEVel]:TRIGgered? <channel> CURRent[:LEVel]:TRIGgered? <channel> MAX CURRent[:LEVel]:TRIGgered? <channel> MIN
Returned Parameters	<NRf> CURR:TRIG? returns the presently programmed triggered level. If no triggered level is programmed, the CURR level is returned. CURR:TRIG? MAX and CURR:TRIG? MIN return the maximum and minimum programmable triggered current levels.
Related Commands	ABOR; CURR; *RST

### **CURR:PROT:CLE**

This command clears the over-current protection status, and it does not clear the over-current protection setting (**CURR:PROT:STAT**). After this command, output remains in OFF state.

Command Syntax	CURRent:PROTection:CLEar <channel>
Parameter	<channel>: 1-31, channel number
Example	CURR:PROT:CLE 1
Query Syntax	(None)
Related Commands	CURR:PROT:STAT

### **CURR:PROT:STAT**

This command enables or disables the power supply over-current (OC) protection function. If the over-current protection function is enabled and the power supply goes into constant current (CC) mode, then the output is disabled and the Questionable Condition status register OC bit is set (**STAT:QUES?**). An over-current status can be cleared with the **OUTP:PROT:CLE** command.

Command Syntax	CURRent:PROTection:STATe <channel> <bool>
Parameters	<channel>: 1 – 31, channel number <bool>: 0   1   OFF   ON
*RST Value	OFF
Examples	CURR:PROT:STAT 1 0; CURR:PROT:STAT 1 ON
Query Syntax	CURRent:PROTection:STATe? <channel>
Returned Parameters	0   1
Related Commands	OUTP:PROT:CLE; *RST

## ***LIST SUBSYSTEM***

This subsystem controls the generation of parameter lists that sequence the power supply output through values of voltage and current. Two subsystem commands specify lists of output voltages (**LIST:VOLT**), and currents (**LIST:CURR**), the time interval that each value (point) of a list is to remain in effect (**LIST:VOLT:TIME** and **LIST:CURR:TIME**), and the list step (**LIST:VOLT:STEP** and **LIST:CURR:STEP**). A count command (**LIST:COUN**) determines how many times the power supply sequences through a list before that list is completed. Each list can have from 1 to 20 points.

### **LIST:COUN**

This command sets the number of times that the list is executed before it is completed. The command accepts parameters in the range 1 through 60000, but any number greater than 65534.

Command Syntax	LIST:COUNt <channel> <NR1>
Parameters	<Channel>: 1 – 31, channel number <NR1>: 1 – 60000, number of times
*RST Value	1
Examples	LIST:COUN 1 3
Query Syntax	LIST:COUNt? <channel>
Returned Parameters	<NR1> number of times
Related Commands	LIST:CURR; LIST:VOLT

### LIST:CURR

This command specifies the output current points in a list. The current points are given in the command parameters, which are separated by commas. Up to 20 points may be entered and the output current values specified by the points will be generated in the same order as they were entered.

Command Syntax	LIST:CURRent <channel> <point> <NRf>
Parameters	<channel>: 1 – 31, channel number <point>: 1 – 20, point number <NRf>: minimum to maximum current value of the channel
Default Suffix	A
Examples	LIST:CURR 1 1 2.5
Query Syntax	LIST:CURRent? <channel> <NR1>
Returned Parameters	<NRf>: current level at the point specified by the point number
Related Commands	LIST:CURR:STAT

### LIST:CURR:STAT

This command enables or disables the output current list operation state.

Command Syntax	LIST:CURRent:STATe <channel> <bool>
Parameters	<channel>: 1 – 31, channel number <bool>: 0   1   OFF   ON
Examples	LIST:CURR:STAT 1 ON; LIST:CURR:STATE 2 OFF
Query Syntax	LIST:CURR:STATe? <channel>
Returned Parameters	0   1
Related Commands	LIST:CURR:STEP

### LIST:CURR:STEP

This command specifies how current list sequencing occurs in response to enabling current list state (**LIST:CURR:STAT**). If default step (**NONE**) or **AUTO** is sent, enabling list operation state causes the current list to sequence through all its points. The time that a list remains at each point is as specified in the dwell list. As soon as the dwell interval expires, the list moves to the next point. If **ONCE** is sent, after enabling list operation state, a single trigger advances a list only one point. After the specified dwell interval, the list remains at that point until the next trigger occurs.

In either mode, triggers that occur during a dwell interval are ignored.

Command Syntax	LIST:CURRent:STEP <channel> <CRD>
Parameters	<channel>: 1 – 31, channel number <CRD>: NONE   AUTO   ONCE, list step
*RST Value	NONE
Examples	LIST:CURR:STEP 1 ONCE; LIST:CURR:STEP 2 AUTO
Query Syntax	LIST:CURRent:STEP? <channel>
Returned Parameters	<CRD>: NONE   AUTO   ONCE, list step
Related Commands	LIST:CURR; LIST:CURR:STAT; LIST:CURR:TIME



### LIST:CURR:TIM

This command sets the dwelling time for the output current list of the specified point. Each point specifies the time, in milliseconds, that the output of the power supply is to remain at the level specified by the corresponding point in the current list if the **CURR:LIST:STEP** is set to **NONE** or **AUTO**. At the end of the dwell time, the output of the power supply is set to OFF.

Command Syntax	LIST:CURRent:TIME <channel> <point> <NR1>
Parameters	<channel>: 1 – 31, channel number <point>: list point number <NR1>: 1 – 99990, dwelling time
Default Suffix	<i>ms</i>
Examples	LIST:CURR:TIM 1 10 1000
Query Syntax	LIST:CURRent:TIME? <channel> <point>
Returned Parameters	<NR1> dwelling time
Related Commands	LIST:CURR:STAT

### LIST:VOLT

This command specifies the output voltage points in a list. The voltage points are given in the command parameters, which are separated by commas. Up to 20 points may be entered and the output voltage values specified by the points will be generated in the same order as they were entered.

Command Syntax	LIST:VOLTage <channel> <point> <NRf>
Parameters	<channel>: 1 – 31, channel number <point>: 1 – 20, point number <NRf>: minimum to maximum voltage value of the channel
Default Suffix	<i>V</i>
Examples	LIST:VOLT 1 1 2.5
Query Syntax	LIST:VOLTage? <channel> <NR1>
Returned Parameters	<NRf>: voltage level at the point specified by the point number
Related Commands	LIST:VOLT:STA

### LIST:VOLT:STAT

This command enables or disables the output voltage list operation state.

Command Syntax	LIST:VOLTage:STATe <channel> <bool>
Parameters	<channel>: 1 – 31, channel number <bool>: 0   1   OFF   ON
Examples	LIST:VOLT:STAT 1 ON; LIST:VOLT:STATE 2 OFF
Query Syntax	LIST:VOLTage:STATe? <channel>
Returned Parameters	0   1
Related Commands	LIST:VOLT:STEP

### LIST:VOLT:STEP

This command specifies how voltage list sequencing occurs in response to enabling voltage list state (**LIST:VOLT:STAT**). If default step (**NONE**) or **AUTO** is sent, enabling list operation state causes the voltage list to sequence through all its points. The time that a list remains at each point is as specified in the dwell list. As soon as the dwell interval expires, the list moves to the next point. If **ONCE** is sent, after enabling list operation state, a single trigger advances a list only one point. After the specified dwell interval, the list remains at that point until the next trigger occurs.

In either mode, triggers that occur during a dwell interval are ignored.

Command Syntax	LIST:VOLTage:STEP <channel> <CRD>
Parameters	<channel>: 1 – 31, channel number <CRD>: NONE   AUTO   ONCE, list step
*RST Value	NONE
Examples	LIST:VOLT:STEP 1 ONCE; LIST:VOLT:STEP 2 AUTO
Query Syntax	LIST:VOLTage:STEP? <channel>
Returned Parameters	<CRD>: NONE   AUTO   ONCE, list step
Related Commands	LIST:VOLT; LIST:VOLT:STAT; LIST:VOLT:TIME

### LIST:VOLT:TIM

This command sets the dwelling time for the output voltage list of the specified point. Each point specifies the time, in milliseconds, that the output of the power supply is to remain at the level specified by the corresponding point in the voltage list if the **VOLT:LIST:STEP** is set to **NONE** or **AUTO**. At the end of the dwell time, the output of the power supply is set to OFF.

Command Syntax	LIST:VOLTage:TIME <channel> <point> <NR1>
Parameters	<channel>: 1 – 31, channel number <point>: list point number <NR1>: 1 – 99990, dwelling time
Default Suffix	<i>ms</i>
Examples	LIST:VOLT:TIM 1 10 1000
Query Syntax	LIST:VOLTage:TIME? <channel> <point>
Returned Parameters	<NR1> dwelling time
Related Commands	LIST:VOLTage:STAT

## **MEASUREMENT SUBSYSTEM**

The commands / queries in this subsystem wither return the current measured at the power supply output terminals or the voltage measured at the sense terminals, or set or query the measurement delay time.

### **MEAS:CURR?**

This query returns the current measured at the power supply output terminals.

Query Syntax	MEASure:CURRent? <channel>
Parameters	<channel>: 1 – 31, channel number
Default Suffix	<i>A</i>
Examples	MEAS:CURR? 1
Returned Parameters	<NRf> measured current value
Related Commands	CURR

### **MEAS:DEL**

This command sets the delay time to obtain read back value for “MEAS:VOLT?” and “MEAS:CURR?” queries.

Command Syntax	MEASure:DELay <NR1>
Parameters	<NR1>: 1 – 5000, delay time
Default Suffix	<i>ms</i>
Default value	0 ms
Examples	MEAD:DEL 800
Query Syntax	MEASure:DELay?
Returned Parameters	<NR1> delay time
Related Commands	MEAR:VOLT? MEAS:CURR?

### **MEAS:VCOU?**

This query returns the voltage and current measured at the power supply sense terminals.

Query Syntax	MEASure:VCOU? <channel>
Parameters	<channel>: 1 – 31, channel number
Default Suffix	<i>None</i>
Examples	MEAS:VCOU? 1
Returned Parameters	<NRf> measured voltage and current value
Related Commands	VOLT, CURR

### **MEAS:VOLT?**

This query returns the voltage measured at the power supply sense terminals.

Query Syntax	MEASure:VOLTage? <channel>
Parameters	<channel>: 1 – 31, channel number
Default Suffix	<i>V</i>
Examples	MEAS:VOLT? 1
Returned Parameters	<NRf> measured voltage value
Related Commands	VOLT

## ***OUTPUT SUBSYSTEM***

This subsystem controls the power supply voltage and current outputs and the optional output relay.

### **OUTP**

This command enables or disables the power supply output. The state of a disabled output is a condition of zero output voltage.

Command Syntax	OUTPut[:STATe] <channel> <bool>
Parameters	<channel>: 1 – 31, channel number <bool>: 0   OFF   1   ON
*RST Value	0
Examples	OUTP 1 ON OUTP:STAT 1 OFF
Query Syntax	OUTPut[:STATe]? <channel>
Returned Parameters	0   1
Related Commands	*RST

### **OUTP:PROT:CLE**

This command clears any over-voltage (OV), over-current (OC), or under-voltage (UV) protection features. The corresponding status bit in STAT:QUES? is also cleared. After this command, the output is remained OFF.

Command Syntax	OUTPut:PROTection:CLEar <channel>
Parameters	<Channel>: 1 – 31, channel number
Examples	OUTP:PROT:CLE 1
Query Syntax	(None)
Related Commands	OUTP:STAT? STAT:QUES?

### **OUTP:REL**

This command is valid only if the power supply is configured for the optional relay connector. Programming **ON** opens the relay contacts; programming **OFF** closes them. The relay is controlled independently of the output state. If the power supply is supplying power to a load, that power will appear at the relay contacts during switching. If the power supply is not configured for the relay connector, sending either relay command has no affect, but the corresponding relay bit **STAT:QUES?** changes accordingly .

Command Syntax	OUTPut:RELAy[:STATe] <channel> <bool>
Parameters	<channel>: 1 – 31, channel number <bool>: 0   1   OFF   ON
*RST Value	1
Examples	OUTP:REL 1 1 OUTP:REL 1 OFF
Query Syntax	OUTPut:RELAy? <channel>
Returned Parameters	0   1
Related Commands	OUTP[:STAT]; *RST

### OUTP:REL:POL

This command is valid only if the power supply is configured for the optional relay connector. Programming **NORM**al causes the relay output polarity to be the same as the power supply output. Programming **REVER**se causes the relay output polarity to be opposite to that of the power supply output. If **OUTP[:STAT] = ON** when either relay command is sent, the power supply output voltage is set to 0 during the time that the relays are changing polarity. If the power supply is not configured for the relay connector, sending either relay command has no affect, but the corresponding relay bit **STAT:QUES?** changes accordingly.

Command Syntax	OUTPut:RELAy:POLarity <channel> <CRD>   <bool>
Parameters	<channel>: 1 – 31, channel number <CRD>   <bool>: NORMal   0   REVERse   1
*RST Value	0   NORMal
Examples	OUTP:REL:POL 1 NORM
Query Syntax	OUTPut:RELAy:POLarity? <channel>
Returned Parameters	0   1
Related Commands	OUTP[:STAT] *RST

### PARALLEL SUBSYSTEM

This subsystem controls the power supply operations in parallel mode.

### PAR:CLE

This command can only be used in parallel operation mode. It clears all channels assigned to the parallel group.

Command Syntax	PARallel:CLEar <group>
Parameters	<group>: 1 – 5, group number
Examples	PAR:CLE 1
Query Syntax	(None)
Related Commands	PAR:GRO

### PAR:CURR

This command can only be used in parallel operation mode. It sets average current limit value for each channel of a specified group.

Command Syntax	PARallel:CURRent <group> <NRf>
Parameters	<group>: 1 – 5, group number <NRf>: average current value
Default Suffix	A
Examples	PAR:CURR 1 2.0
Query Syntax	PAR:CURRent? <group>
Returned Parameters	<NRf> average current value
Related Commands	PAR:GRO

### PAR:GRO

This command can only be used in parallel operation. It assigns an individual channel to a specified parallel group. One group can contain maximum of 8 channels.

Command Syntax	PARallel:GROup <group> <channel>
Parameters	<group>: 1 – 5, group number <channel>: 1-31 channel
Default Suffix	(None)
Examples	PAR:GRO 1 1
Query Syntax	PARallel:GROup? <group>
Returned Parameters	<CRD> (all channel numbers separated by a comma)
Related Commands	PAR:CURR; PAR:VOLT; PAR:CLE

### PAR:OUTP:REL

This command can only be used in parallel operation and all power supplies inside the parallel group are configured with the optional relay connectors. It sets the relay status for each individual channel inside a parallel group.

Command Syntax	PARallel:OUTPut:RELAy <group> <bool>
Parameters	<group>: 1 – 5, group number <bool>: ON   1: set relay in OPEN status; OFF   0: set relay in CLOSE status.
Default Suffix	(None)
Examples	PAR:OUTP:REL 1 1
Query Syntax	PAR:OUTP:REL? <group>
Returned Parameters	0   1
Related Commands	PAR:GRO

### PAR:OUTP:REL:POL

This command can only be used in parallel operation and all power supplies inside the parallel group are configured with optional relay connectors. It sets the relay polarity status for each individual channel inside a parallel group.

Command Syntax	PARallel:OUTPut:RELAy:POLarity <group> <bool>
Parameters	<group>: 1 – 5, group number <bool>: NORM   0: set relay polarity in normal; REV   1: set relay polarity in reverse.
Default Suffix	(None)
Examples	PAR:OUTP:REL:POL 1 REV
Query Syntax	PARallel:OUTPut:RELAy:POLarity? <group>
Returned Parameters	0   1
Related Commands	PAR:GRO; PAR:OUTP:REL

### PAR:OUTP:TRIG

This command can only be used in parallel operation. It enables output for each individual channel inside a parallel group to turn on or off output state based on “TRIG” command. The “TRIG” command enables all channels’ outputs ON or OFF.

Command Syntax	PARallel:OUTPut:TRIGger <group> <bool>
Parameters	<group>: 1 – 5, group number <bool>: ON   1: Enable output; OFF   0: Disable output.
Default Suffix	(None)
Examples	PAR:OUTP:TRIG 1 ON
Query Syntax	(None)
Related Commands	PAR:GRO; PAR:VOLT; PAR:CURR

### PAR:STAT

This command can only be used in parallel operation. It enables or disables parallel current sharing.

Note: When enabling parallel current sharing, the down programming circuit of each channel is disabled. The output voltage will drop down slower when turning the output off. And the output will have longer transition time when changing voltage levels.

Command Syntax	PARallel:STATe <group> <bool>
Parameters	<group>: 1 – 8, group number <bool>: ON   0: Enable parallel operation; OFF   1: Disable parallel operation.
Default Suffix	(None)
Examples	PAR:STAT 1 ON
Query Syntax	PARallel:STATe? <group>
Returned Parameters	0 1
Related Commands	PAR:GRO; PAR:OUTP:TRIG

### PAR:VOLT

This command can only be used in parallel operation. It sets voltage level value for each channel of a specified parallel group.

Command Syntax	PARallel:VOLTagE <group> <NRf>
Parameters	<group>: 1 – 8, group number <NRf>: voltage level for each channel
Default Suffix	V
Examples	PAR:VOLT 1 2.0
Query Syntax	PARallel:VOLTagE? <group>
Returned Parameters	<NRf> voltage level
Related Commands	PAR:GRO

## STATUS SUBSYSTEM

This subsystem programs the power supply status registers. The power supply has three groups of status registers: **Operation**, **Questionable**, and **Standard Event**. The Standard Event group is programmed with Common commands.

### STAT:OPER?

This query returns the value of the Status Operation Event register. The Event register is a read-only register, which holds (latches) all operation events that are set by users. Reading the Operation Event register does not clear it.

Query Syntax	STATus:OPERation[:EVENT]? <channel>
Parameters	<channel>: 1 – 31, channel number
Returned Parameters	<NR1> Register Decimal Value
Examples	STAT:OPER? 1
Related Commands	*RST

### Status Operation Registers

The bit configuration of Status Operation register is shown in the following table:

#### Bit Configuration of Operation Register Table:

Bit Position	7	6	5	4	3	2	1	0
Bit Name	<b>AUTO</b>	<b>ONCE</b>	<b>WTG</b>	<b>REL</b>	<b>POL</b>	<b>OV</b>	<b>OC</b>	<b>CAL</b>
Bit Weight	128	64	32	16	8	4	2	1
Bit Position	15	14	13	12	11	10	9	8
Bit Name	<b>NU</b>	<b>NU</b>	<b>NU</b>	<b>PARA</b>	<b>LSV</b>	<b>LSC</b>	<b>TTL</b>	<b>OUT</b>
Bit Weight	32768	16384	8192	4096	2048	1024	512	256

CAL = Interface is computing new calibration constants. OC = The over-current protection operation is ON. OV = The over-voltage protection operation is ON. POL = The relay is in negative position (set to REVERSE). REL = The relay operation is connect (set to CLOSE). WTG = Interface waiting for a trigger. ONCE = Stepping on dependant upon the ONCE trigger function. AUTO = Stepping on is depend upon AUTO trigger function. OUT = Output is configured to ON. TTL = TTL shut down. LSC = The current stepping operation is ON. LSV = The voltage stepping operation is ON. PARA = Power supply is in parallel operation mode. NU = Not used.

### STAT:QUES?

This command returns the value of the Questionable Event register. The Event register is a read-only register, which holds (latches) all events that occurred. Reading the Questionable Event register does not clear it.

Query Syntax	STATus:QUEStionable[:EVENT]? <channel>
Parameters	<channel>: 1 – 31, channel number
Returned Parameters	<NR1> Register Decimal Value
Examples	STAT:QUES:EVEN? 1
Related Commands	*RST



## Status Questionable Registers

The bit configuration of all Status Questionable registers is as follows:

### Bit Configuration of Questionable Registers Table:

Bit Position	7	6	5	4	3	2	1	0
Bit Name	<b>LSC</b>	<b>LSV</b>	<b>OUT</b>	<b>OT</b>	<b>CC</b>	<b>CV</b>	<b>OC</b>	<b>OV</b>
Bit Weight	128	64	32	16	8	4	2	1
Bit Position	15	14	13	12	11	10	9	8
Bit Name	<b>NU</b>	<b>NU</b>	<b>TRAC</b>	<b>UV</b>	<b>ORO</b>	<b>UNR</b>	<b>TTL</b>	<b>POL</b>
Bit Weight	32768	16384	8192	4096	2048	1024	512	256
OV = Over-voltage protection circuit has tripped. OC = Over-current protection circuit has tripped. CV = The power supply is in constant voltage mode. CC = The power supply is in constant current mode. OT = Over-temperature status condition exists. OUT = Power supply output states. LSV = The voltage list operation. LSC = The current list operation. POL = The relay operation is on negative operation. TTL = TTL shut down is occurred. UNR = Power supply output is unregulated. ORO: Output Relay Open = 1, Output Relay Close = 0. UV: Under Voltage Protection: protection was triggered. TRAC: Tracking operation enabled=1. NU = Not used.								

### STAT:QUES:ENAB

This command sets or reads the value of the Questionable Enable register. This register is a mask for enabling specific bits from the Questionable Event register to set the questionable summary bit of the Status Byte register. This bit (bit 3) is the logical OR of all the Questionable Event Register bits that are enabled by the Questionable Status Enable Register.

Command Syntax	STATus:QUEStionable:ENABle <NRf>
Parameters	0 to 32727
Suffix	(None)
Default Value	0
Example	STAT:QUES:ENAB 18
Query Syntax	STATus:QUEStionable:ENABle?
Returned Parameters	<NR1> Register Decimal Value
Related Commands	STAT:QUES?

## SYSTEM SUBSYSTEM

The commands / queries in this subsystem include some millenniums system information, such as setting or querying the maximum number of channels for a controller, EOS mode, error code, and system version.

### SYST:BUZZ

This command sets and queries the power supply buzzer mode.

Command Syntax	SYSTem:BUZZer <bool>
Parameter	<bool>: 0   OFF – Buzzer sound OFF 1   ON – Buzzer sound ON
Default Value	1
Example	SYST:BUZZER 0
Query Syntax	SYSTem:BUZZer?
Returned Parameter	<NR1> represents Buzzer mode.
Related Commands	None

### SYST:CHAN:MAX

This command sets and queries the maximum number of the slave channels permitted to connect to the master controller.

Command Syntax	SYSTem:CHANnel:MAXimum <NR1>
Parameter	<NR1>: 1 – 31, maximum channel numbers*
Default Value	1
Example	SYST:CHAN:MAX 8
Query Syntax	SYSTem:CHANnel:MAXimum?
Returned Parameter	<NR1> represented maximum channel numbers
Related Commands	*TST?

<Note> \*: After setting a new value for this command, user must power cycle the power supply. Otherwise, the new value does not affect the maximum number of slave channels permitted to connect to the master controller.

### SYST:CONS:BAUD

This command sets and queries the RS-232 interface baud rate setting.

Command Syntax	SYSTem:CONSol:BAUD <baudrate>
Parameters	<baudrate>: RS-232 baud rate value
Example	SYST:CONS:BAUD 115200
Query syntax	SYSTem:CONSol:BAUD?
Returned Parameters	<NR1>: Represented the baud rate value
Related Commands	None

### SYST:CONS:EOS

This command sets and queries the RS-232 interface EOS mode.

Command Syntax	SYSTem:CONSol:EOS <NR1>
Parameters	<NR1>: 0 – None 1 – CR 2 – LF 3 – CR + LF
Example	SYST:CONS:EOS 1
Query syntax	SYSTem:CONSol:EOS?
Returned Parameters	<NR1>: Represents EOS mode
Related Commands	SYST:EOS

### SYST:DEF:OUTP

This command sets and queries the power on output status.

Command Syntax	SYSTem:DEFault:OUTPut <NR1>
Parameters	<NR1>: 0   1 0 -- Power ON output status always OFF 1 -- Power ON output status same as the Power OFF status
Example	SYST:DEF:OUTP 1                      SYST:DEF:OUTP 0
Query syntax	SYSTem:DEFault:OUTPut?
Returned Parameters	<NR1>: Represented the default power on output status
Related Commands	None

## SYST:EOS

This command sets and queries the end of string (EOS) mode for read back of current interface.

Command Syntax	SYSTem:EOS <NR1>
Parameter	<NR1>: 0 – 3, end of string (EOS) mode
	0 NONE *
	1 CR
	2 LF
	3 CR + LF (For RS-232 interface only)
Default Value	3
Example	SYST:EOS 1
Query Syntax	SYSTem:EOS?
Returned Parameter	<NR1> represented EOS mode
Related Commands	NONE

<Note> \*: If the end of string mode is set to 0 using this command, the returned value is in binary format if users communicate the power supply using National Instrument's Measurement and Automation software.

## SYST:ERR?

This query returns the next error message response string from the remote programming error queue. The queue is a FIFO (first-in, first-out) buffer that stores maximum 9 errors as they occur. As it is read, each error is removed from the queue. When all errors have been read, the query returns **255-255-0**.

The error response string format CH-CMD-ERR, containing three fields, where CH indicates the channel number where the error occurs (if error is not related to channel, or no error occurs, this field is 255), CMD indicates the command index (if error is not related to a command or no error occurs, this field is 255. Please refer to Appendix A for command index table), and the ERR indicates the actual error code (if no error occurs, this field is 0. Please refer to Appendix A for error code).

Query Syntax	SYSTem:ERRor?
Parameters	(None)
Returned Parameters	<CRD> CH-CMD-ERR
Example	SYST:ERR?

## SYST:GPIB

This command sets the command syntax mode to either 488.1 or SCPI.

Command Syntax	SYST:GPIB <value>
Parameter	SCPI   4881
Query Syntax	SYST:GPIB?
Returned Parameter	0: SCPI mode 1: 488.1 mode
Example	SYST:GPIB 4881

## SYST:GPIB:EOS

This command sets and queries the GPIB interface EOS mode.

Command Syntax	SYSTem:GPIB:EOS <NR1>
Parameters	<NR1>: 0 – None 1 – CR 2 – LF 3 – CR + LF
Example	SYST:GPIB:EOS 1
Query syntax	SYSTem:GPIB:EOS?
Returned Parameters	<NR1>: Represents EOS mode
Related Commands	SYST:EOS

### **SYST:IDLE**

This command sets and queries Master or Slave function of the SPS unit.

Command Syntax	SYST:IDLE <NR1>
Parameters	<NR1>: 0 – The SPS unit can be used as Master 1 – The SPS unit can only be used as Slave
Example	SYST:IDLE 1
Default value	0
Query syntax	SYST:IDLE?
Returned Parameters	<NR1>: Represents Master or Slave mode
Related Commands	None

### **SYST:NET:ADDR**

This command sets and queries the Ethernet IP address.

Command Syntax	SYSTem:NET:ADDRess [<CRD1>] <CRD2>
Parameters	<CRD>: <CRD1>: serial number <CRD2>: IP address in decimal dot notation
Example	SYST:NET:ADDR 192.168.1.3
Query syntax	SYSTem:NET:ADDRess? [<Serial Number>]
Returned Parameters	<CRD>: Represents IP address
Related Commands	SYST:NET:GATE, SYST:NET:SUBNET

### **SYST:NET:DHCP**

This query reads if the power supply Ethernet configuration is from DHCP server.

Query syntax	SYST:NET:DHCP?
Returned Parameters	<NR1>: 0 – Ethernet configuration is from set up 1 – Ethernet configuration is from DHCP server
Related Commands	SYST:NET:ADDR

### **SYST:NET:EOS**

This command sets and queries the Ethernet interface EOS mode.

Command Syntax	SYSTem:NET:EOS <NR1>
Parameters	<NR1>: 0 – None 1 – CR 2 – LF 3 – CR + LF
Example	SYST:NET:EOS 1
Query syntax	SYSTem:NET:EOS?
Returned Parameters	<NR1>: Represents EOS mode
Related Commands	SYST:EOS

### SYST:NET:GAT

This command sets and queries the Ethernet default gateway IP address.

Command Syntax	SYSTem:NET:GAT <CRD>
Parameters	<CRD>: Gateway IP address in decimal dot notation
Example	SYST:NET:GAT 192.168.1.0
Query syntax	SYSTem:NET:GAT?
Returned Parameters	<CRD>: Represents gateway IP address
Related Commands	SYST:NET:ADDR, SYST:NET:SUBN

### SYST:NET:STAT

This query reads Ethernet configuration state.

Query syntax	SYST:NET:STATe?
Returned Parameters	<CRD>: Represents the net configuration state containing the following fields: <serial number>: power supply serial number <DHCP flag>: if net setting is from DHCP or not <ip address>: power supply unit IP address <idn string>: same as “*IDN?” query string
Related Commands	CHAN:SER, SYST:NET:DHCP, SYST:NET:IP, *IDN?

### SYST:NET:SUBN

This command sets and queries the Ethernet subnet value.

Command Syntax	SYSTem:NET:SUBNet <CRD>
Parameters	<CRD>: Subnet value in decimal dot notation
Example	SYST:NET:SUBNET 255.255.255.0
Query syntax	SYSTem:NET:SUBNet?
Returned Parameters	<CRD>: Represents subnet value
Related Commands	SYST:NET:ADDR, SYST:NET:GATE

### SYST:PROT?

This query can only be used after SRQ is properly set. It reads the Protect Event Status register, which contains channel number where protection has occurred. A 1 in any Protect Event Status register bit position indicates that the protected channel number is the bit position plus 1.

Query Syntax	SYST:PROT? PROT:CHAN?
Parameters	(None)
Returned Parameters	Hexadecimal string (with &H) representing protect register value
Examples	“&H00000020” indicates protection occurred at channel 6
Related Commands	(None)

**Bit configuration of Protect Register is shown in the following table:**

<b>Bit Position</b>	7	6	5	4	3	2	1	0
<b>Channel</b>	<b>8</b>	<b>7</b>	<b>6</b>	<b>5</b>	<b>4</b>	<b>3</b>	<b>2</b>	<b>1</b>
<b>Bit Weight(hex)</b>	80	40	20	10	8	4	2	1
<b>Bit Position</b>	15	14	13	12	11	10	9	8
<b>Channel</b>	<b>16</b>	<b>15</b>	<b>14</b>	<b>13</b>	<b>12</b>	<b>11</b>	<b>10</b>	<b>9</b>
<b>Bit Weight(hex)</b>	8000	4000	2000	1000	800	400	200	100
<b>Bit Position</b>	23	22	21	20	19	18	17	16
<b>Channel</b>	<b>24</b>	<b>23</b>	<b>22</b>	<b>21</b>	<b>20</b>	<b>19</b>	<b>18</b>	<b>17</b>
<b>Bit Weight(hex)</b>	800000	400000	200000	100000	80000	40000	20000	10000
<b>Bit Position</b>	31	30	29	28	27	26	25	24
<b>Channel</b>	<b>32</b>	<b>31</b>	<b>30</b>	<b>29</b>	<b>28</b>	<b>27</b>	<b>26</b>	<b>25</b>
<b>Bit Weight(hex)</b>	80000000	40000000	20000000	10000000	8000000	4000000	2000000	1000000

**SYST:VERS?**

This query returns the power supply's controller firmware version. The returned value is of the form "FV:x.xx" where x.xx is the firmware revision number.

Query Syntax	SYSTEM:VERSion?
Parameters	(none)
Returned Parameters	<CRD>
Example	SYST:VERS?
Related Commands	*IDN?

***TRIGGER SUBSYSTEM***

This subsystem controls the triggering of the power supply.

**TRIG**

This command initiates a pending level change as specified by **CURR[:LEV]:TRIG** or **VOLT[:LEV]:TRIG** and clears the WTG bit in the Status Operation Condition register.

Command Syntax	TRIGger[:STArT][:IMMediate]
Parameters	(None)
Examples	TRIG TRIG: IMM
Query Syntax	(None)
Related Commands	ABOR; CURR:TRIG; *TRG; VOLT:TRIG

**Note:** The function of **TRIG** is similar to **\*TRG** command except that the trigger is enabled by software in this command, and it is enabled through hardware method in **\*TRG** command. Most of the time, they can be used interchangeably. But there is one exception: In parallel operation mode, due to some speed constraints, it's better for users to choose "**TRIG**" command to enable trigger instead of "**\*TRG**" command.

## TRIG:DEL

This command sets the time delay between the detection of an event on a trigger source and the start of any corresponding trigger action on the power supply's output.

Command Syntax	TRIGger[:STArT]:DELay <channel> <NR1>
Parameters	<channel>: 1 – 31, channel number <NR1>: 0 – 32000, delay time in millisecond
Default Suffix	<i>ms</i>
*RST Value	0
Examples	TRIG:DEL 1 1000
Query Syntax	TRIGger[:STArT]:DELay? <channel>
Returned Parameters	<NR1> delay time in millisecond
Related Commands	ABOR CURR:TRIG *TRG TRIG VOLT:TRIG

## VOLT SUBSYSTEM

This subsystem programs the output voltage of the power supply.

## VOLT

This command directly programs the immediate voltage level of the power supply. The immediate level is the voltage applied at the output terminals.

Command Syntax	VOLTage[:LEVel] <channel> <NRf>
Parameters	<channel>: 1 – 31, channel number <NRf>: minimum to maximum voltage value of the channel
Default Suffix	<i>V</i>
*RST Value	5.0
Examples	VOLT 1 0.500; VOLT:LEV 1 30.0
Query Syntax	VOLTage[:LEVel]? <NR1> VOLTage[:LEVel]? <NR1> MAX VOLTage[:LEVel]? <NR1> MIN
Returned Parameters	<NRf>: VOLT? returns the present programmed volatge level. VOLT? MAX and VOLT? MIN return the maximum and minimum programmable voltage levels.
Related Commands	*SAV *RST

## VOLT:PROT

This command sets the over-voltage protection (OVP) level of the power supply. If the output voltage exceeds the OVP level, and the **VOLT:PROT:STAT** is set to ON, then the power supply output is disabled and the Questionable status register (**STAT:QUES?**) OV bit is set . An over-voltage condition can be cleared with the **OUTP:PROT:CLE** or **VOLT:PROT:CLE** or **\*RST** command after the condition that caused the OVP trip is removed.

Command Syntax	VOLTage:PROTection[:LEVel] <channel> <NRf>
Parameters	<channel>: 1 – 31, channel number <NRf>: 5.0% to 110% of maximum voltage level
Default Suffix	<i>V</i>
*RST Value	110% of maximum voltage level
Examples	VOLT:PROT 1 25.0; VOLT:PROT:LEV 1 33.0
Query Syntax	VOLTage:PROTection[:LEVel]? <channel>
Returned Parameters	<NRf> represents presently programmed OVP level
Related Commands	OUTP:PROT:CLE; VOLT:PROT:CLE; *RST; *SAV

### VOLT:PROT:CLE

This command clears the over-voltage protection status, and it does not clear the over-voltage protection setting (**VOLT:PROT:STAT**). After this command, output remains in OFF state.

Command Syntax	VOLTage:PROTection:CLEar <channel>
Parameter	<channel>: 1-31, channel number
Example	VOLT:PROT:CLE 1
Query Syntax	(None)
Related Commands	VOLT:PROT:STAT

### VOLT:PROT:COUN

This command sets or queries the power supply over-voltage (OV) protection counts value. It is used for OVP calibration. Please refer to the sample program, OVP calibration for details.

Command Syntax	VOLTage:PROTection:COUNt <channel> <value>
Parameters	<channel>: 1 – 31, channel number <value>: count value, depending on models.
Examples	VOLT:PROT:COUN 1 270
Query Syntax	VOLTage:PROTection:COUNt? <channel> VOLTage:PROTection:COUNt? <channel> MAX
Returned Parameters	0 to maximum count value.
Related Commands	VOLT:PROT:STAT

### VOLT:PROT:STAT

This command enables or disables the power supply over-voltage (OV) protection function. If the over-voltage protection function is enabled and the output voltage exceeds the OVP level, then the output is disabled and the Questionable Condition status register (**STAT:QUES?**) OV bit is set. An over-voltage status can be cleared with the **OUTP:PROT:CLE**, **VOLT:PROT:CLE** or **\*RST** command.

Command Syntax	VOLTage:PROTection:STATe <channel> <bool>
Parameters	<channel>: 1 – 31, channel number <bool>: 0   1   OFF   ON
*RST Value	OFF
Examples	VOLT:PROT:STAT 1 0; VOLT:PROT:STAT 1 ON
Query Syntax	VOLTage:PROTection:STATe? <channel>
Returned Parameters	0   1
Related Commands	OUTP:PROT:CLE; VOLT:PROT:CLE; *RST

### VOLT:TRIG

This command programs the pending triggered voltage level of the power supply. The pending triggered voltage level is a stored value that is transferred to the output terminals when a trigger occurs. A pending triggered level is unaffected by subsequent **VOLT:LEV[:IMM]** commands and remains in effect until the trigger subsystem receives a trigger or an **ABORt** command is given

Command Syntax	VOLTage[:LEVel]:TRIGgered <channel> <NRf>
Parameters	<channel>: 1 – 31, channel number <NRf>: minimum to maximum voltage level
Default Suffix	V
*RST Value	5.0
Examples	VOLT:TRIG 1 25; VOLT:LEV:TRIG 1 22.0
Query Syntax	VOLTage[:LEVel]:TRIGgered? <channel>
Returned Parameters	<NRf> the presently programmed voltage level. If the TRIG level is not programmed, the VOLT level is returned.
Related Commands	ABOR; VOLT; *RST



## NON-SCPI COMMANDS AND THEIR EQUIVALENT SCPI COMMANDS

In order to comply with AMREL old SPS and SPS new firmware version, some Non-SCPI commands are still supported in this version. However, most of the Non-SCPI commands have an equivalent SCPI commands, and some of them don't. Table 4.1 shows the corresponding SCPI command for each Non-SCPI command. Others without mapping SCPI commands are also displayed in the following section.

**Non-SCPI Command and Equivalent SCPI Command Table:**

Non-SCPI Command	Equivalent SCPI Command
CURR:CAL:SAV	CAL:CURR:SAVE
MOD?	CHAN:MOD?
PROT:CHAN?	SYST:PROT?
PARA:CLE*	PAR:CLE
PARA:CURR	PAR:CURR
PARA:GROU	PAR:GRO
PARA:OUTP	PAR:OUTP
PARA:OUTP:REL	PAR:OUTP:REL
PARA:OUTP:REL:POL	PAR:OUTP:REL:POL
PARA:OUTP:TRIG	PAR:OUTP:TRIG
PARA:STAT	PAR:STAT
PARA:VOLT	PAR:VOLT
SERI	CHAN:SER
SHUT:DOWN	CHAN:SHUT
SYST:OFFS	CAL:OFFS
SYST:SLOPE	CAL:SLOP
UNDER:PROT:STAT	VOLT:PROT:UND
VOLT:CAL:SAV	CAL:VOLT:SAVE

**<Note> \***: The short form for command in parallel subsystem is changed from PARA to PAR to conform with SCPI header syntax described in section 7.6 of IEEE 488.2. On the other hand, in order to comply with AMREL old command syntax, an exception must be made. The PARALLEL header can work with all three forms: PAR, PARA, and PARALLEL. Same case with GROUP header, it can work with GRO, GROU, and GROUP all three forms.

### SYST:CHAN

This command sets the current active channel.

Command Syntax	SYST:CHAN <channel>
Parameters	Channel number: 1 – 31
Example	SYST:CHAN 2 (sets channel 2 as current active channel)
Query Syntax	SYST:CHAN?
Returned Parameters	<NR1>: Representing current active channel.

### SYST:STATUS?

This query reads the value from status register.

Query Syntax	SYST:STATUS? <channel>
Parameters	Channel numbers: 1 – 31
Returned parameters	Decimal value representing status register

**Bit configurations for status register table:**

<b>Bit Position</b>	7	6	5	4	3	2	1	0
<b>Bit Weight</b>	128	64	32	16	8	4	2	1
<b>Definition</b>	CC/CV	NU	NU	OC Set	OV Set	OUT	OV	OC
OC: Over-current protection circuit has tripped; OV = Over-voltage protection circuit has tripped; OUT: Output is set to ON; OV Set: OVP is set to ON; OC Set: OCP is set to ON; NU: not used; CC/CV: 0 means SPS unit is in CC mode, 1 means SPS unit is in CV mode.								

***IEEE 488.1 COMMANDS AND THEIR EQUIVALENT SCPI COMMANDS***

In order to comply with AMREL old SPS and SPS IEEE 488.1 firmware option, some IEEE 488.1 commands are still supported in this version. However, each IEEE 488.1 command has an equivalent SCPI command. The following table shows the corresponding SCPI command for each IEEE 488.1 command.

**IEEE 488.1 Command and Equivalent SCPI Command Table:**

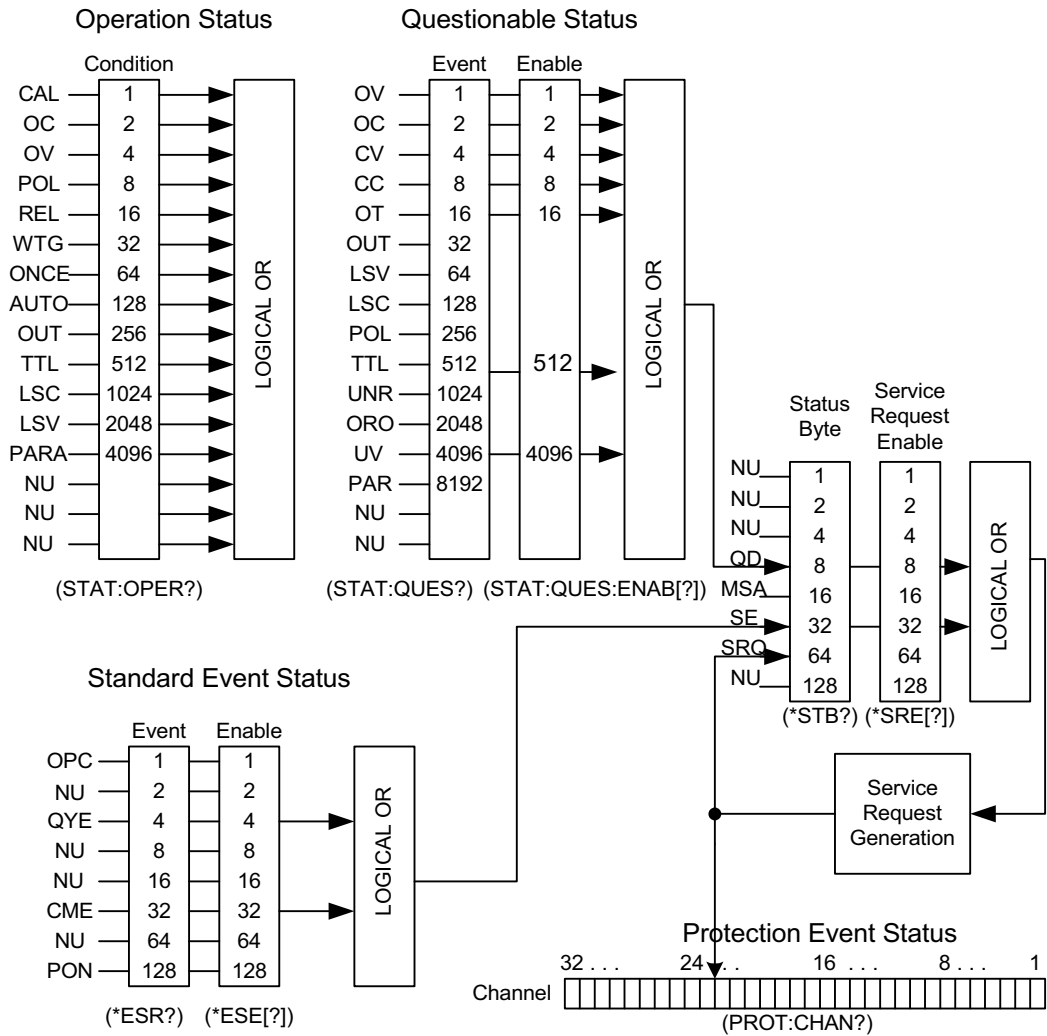
<b>Command</b>	<b>Equivalent SCPI command</b>
IOUT? <channel>	MEAS:CURRE? <channel>
IOUT1?	MEAS:CURRE? 1
IOUT2?	MEAS:CURRE? 2
ISET <channel> <value>	CURRE <channel> <value>
ISET1 <value>	CURRE 1 <value>
ISET2 <value>	CURRE 2 <value>
ISET? <channel>	CURRE? <channel>
ISET1?	CURRE? 1
ISET2?	CURRE? 2
OCP <channel> <bool>	CURRE:PROT:STAT <channel> <bool>
OCP1 <bool>	CURRE:PROT:STAT 1 <bool>
OCP2 <bool>	CURRE:PROT:STAT 2 <bool>
OUT <channel> <bool>	OUTP <channel> <bool>
OUT1 <bool>	OUTP 1 <bool>
OUT2 <bool>	OUTP 2 <bool>
OVP <channel> <bool>	VOLT:PROT:STAT <channel> <bool>
OVP1 <bool>	VOLT:PROT:STAT 1 <bool>
OVP2 <bool>	VOLT:PROT:STAT <bool>
OVSET <channel> <value>	VOLT:PROT <channel> <value>
OVSET1 <value>	VOLT:PROT 1 <value>
OVSET2 <value>	VOLT:PROT 2 <value>
OVSET? <channel>	VOLT:PROT? <channel>
OVSET1?	VOLT:PROT? 1
OVSET2?	VOLT:PROT? 2
STATUS?	N / A *
SYST:GPIB SCPI	SYST:GPIB SCPI
SYST:GPIB 4881	SYST:GPIB 4881
VOUT? <channel>	MEAS:VOLT? <channel>
VOUT1?	MEAS:VOLT? 1
VOUT2?	MEAS:VOLT? 2
VSET <channel> <value>	VOLT <channel> <value>
VSET1 <value>	VOLT 1 <value>

VSET <channel> <value>	VOLT <channel> <value>
VSET1 <value>	VOLT 1 <value>
VEST2 <value>	VOLT 2 <value>
VSET? <channel>	VOLT? <channel>
VSET1?	VOLT? 1
VSET2?	VOLT? 2

<Note> \*: For IEEE 488.1 option status reporting, please refer to 6.2 Status reporting – Non-SCPI command status reporting part of this manual.

### SCPI GPIB COMMAND STATUS REPORTING

The following figure shows the SCPI GPIB command status model of the power supply.



The above figure shows the status register structure of the power supply. The Standard Event, Status Byte, and Service Request Enable registers perform standard GPIB functions. The Operation Status, Questionable Status, and Protection Event Status registers implement status functions specific to the power supplies. Bit configuration for each register is also shown in the above figure.

## ***OPERATION STATUS REGISTER***

The Operation Status Condition register latches any operation condition that is passed to the power supply by users. It is a read-only register. Use “STAT:OPER?” query to read the register, but not clear it.

### **Questionable Status group**

The Questionable Status group consists of two registers. The Questionable Status Event register holds real-time status of the power supply. It is a read-only register. Use “STAT:QUES?” query to read it, but not clear it. The Questionable Status Enable register is a mask for enabling specific bits from the Questionable Event register to set the Questionable Data (QD) bit of the Status Byte register. This bit (bit 3) is the logical OR of all the Questionable Event register bits that are enabled by the Questionable Status Enable register. Use “STAT:QUES:ENAB” command to set or read this register.

### **Standard Event Status group**

Standard Event Status group consists of an Event register and an Enable register that are programmed by COMMON commands. The Standard Event register latches events relating to interface communication status. It is a read-only register. The Standard Event Enable register functions similarly to the enable registers of the Questionable Status Enable register. The common “\*ESE” command programs specific bits in the Standard Event Status Enable register. “\*ESR?” reads the Standard Event Status Event register. Reading the register clears it.

### **Status byte and Service Request Enable registers**

Status Byte register summarizes the information from all other status groups. The register can be read by “\*STB?”. Whenever the power supply requests service, it sets the SRQ interrupt line true and latches RQS into bit 6 of the Status Byte register. When the controller services the interrupt, RQS is cleared inside the register and returned in bit position 6 of the response. The remaining bits of the Status Byte register are not disturbed. No bits of the Status Byte register are cleared by reading it.

Service Request Enable register determines which bits from the Status Byte register are allowed to generate SRQ using “\*SRE” common command.

Users can determine the reason for an SRQ by the following actions:

- Use the “\*STB?” query to determine which summary bits are active.
- Read the corresponding Event register for each summary bit to determine which events caused the summary bit to be set. If it is caused by Questionable Data (QD) bit of the Status Byte register, users must read the Protection Event Status register to determine the actual channel number where the SRQ is generated.
- The interrupt will recur until the specific condition that caused the event is removed.

### Protection Event Status register

Protection Event Status register stores the channel number where a service request is occurred if it is caused by the Questionable Data (QD) bit of the Status Byte register. Use “**SYST:PROT?**” query to read it but not clear it. It is cleared only after the specific condition that caused the event is removed.

### *NON-SCPI COMMAND STATUS REPORTING \**

A status register is used for Non-SCPI command status reporting. These register also monitoring the real-time status condition of the power supply. Each output channel has an 8 bit register which signifies a true condition as "1" and a false condition as "0". These bit conditions stay true as long as the condition is true. **The status word received is in decimal format, and needs to be converted to binary format.** Each bit is assigned a particular condition. Use “**STATUS?**” query to read the register.

<Note> \*: This status reporting model only applies to maximum two slave units connected to a master controller and the channel numbers are set to 1 or 2. Byte 1 is for channel 1 and Byte 2 is for channel 2.

### Bit configuration of Status register table:

Bit Position	7	6	5	4	3	2	1	0
Bit Name	<b>BEEP</b>	<b>NU</b>	<b>CC/CV</b>	<b>OV</b>	<b>OC</b>	<b>OCP</b>	<b>OUT</b>	<b>ERR</b>
Bit Weight	128	64	32	16	8	4	2	1
Bit Position	15	14	13	12	11	10	9	8
Bit Name	<b>NU</b>	<b>TRACK</b>	<b>CC2/CV2</b>	<b>OV2</b>	<b>OC2</b>	<b>OCP2</b>	<b>OUT2</b>	<b>CHAN</b>
Bit Weight	32768	16384	8192	4096	2048	1024	512	256

ERR = Error message. 0 – no error; 1 – error. OUT = output status. 0 – Output ON; 1 – Output OFF. OCP = OCP setting. 0 – OCP disabled; 1 – OCP enabled. OC = Over-current protection circuit has tripped. 0 – Normal; 1 – OC tripped. OV = Over-voltage protection circuit has tripped. 0 – Normal; 1 – Tripped. CV = CC or CV mode. 0 – CV mode; 1 – CC mode. NU = Not used. BEEP = Audible indicator setting. 0 – OFF; 1 – ON. CHAN = Active channel. 0 – channel 1; 1 – channel 2. OCP2 = OCP setting in channel 2. 0 – OCP disabled; 1 – OCP enabled. OC2 = Over-current protection circuit has tripped in channel 2. 0 – Normal; 1 – OC tripped. OV2 = Over-voltage protection circuit has tripped in channel 2. 0 – Normal; 1 – Tripped. CV2 = CC or CV mode in channel 2. 0 – CV mode; 1 – CC mode. TRACK = Tracking mode setting for dual channel model. 0 – OFF; 1 – ON.

## COMMAND INDEX AND ERROR CODE FOR “SYST:ERR?” QUERY

### Command index for SYST:ERR? query:

*RST	0	SERI	32	SYST:CHAN	118
*CLR	1	*VRF	34	CAL:CURR:LEV	119
VOLT:PROT:CLE	2	LIST:CURR	40	CAL:VOLT:LEV	120
CURR:PROT:CLE	3	LIST:CURR:TIME	41	SYST:SLOPE	121
OUTP:PROT:CLE	4	LIST:VOLT	42	SYST:OFFSET	122
CAL:STAT	5	LIS:VOLT:TIME	43	CHAN:VERS	123
VOLT:PROT:STAT	6	CAL:SAVE	50	PROT:CHAN	125
CURR:PROT:STAT	7	CURR:CAL:SAVE	58	TRAC	126
OUTP	8	VOLT:CAL:SAVE	59	TRAC:CLE	127
OUTP:REL	9	UND:PROT:CLE	70	PARA:CLE	171
OUTP:REL:POL	10	MEAS:VOLT(VOUT)	97	PARA:CURR	172
LIST:VOLT:STEP	11	MEAS:CURR(IOUT)	98	PARA :GROU	173
LIST:CURR:STEP	12	ABOR	101	PARA:OUTP:TRIG	174
LIST:VOLT:STAT	13	*OPC	102	PARA:OUTP:REL	175
LIST:CURR:STAT	14	CAL:VOLT	103	PARA:STAT	176
*SAV	16	*IDN	105	PARA:VOLT	177
UND:PROT:STAT	17	*TST	109	PARA:OUTP:REL:POL	178
SHUT:DOWN	19	*ESR	110	*ESE	180
VOLT(VSET)	20	*TRG (TRIG)	111	SYST:CHAN:MAX	181
VOLT:TRIG	21	SYST:ERR	112	MEAS:DEL	182
CURR(ISET)	22	SYST:VERS	113	SYST:EOS	183
CURR:TRIG	23	STAT:OPER	114	*SRE	184
VOLT:PROT(:LEV)	24	STAT:QUES	115	*STB	185
TRIG:DEL	25	CAL:CURR	116	STAT:QUES:ENAB	186
LIST:COUN	31	MODEL	117	SYST:DEF:OUTP	187

### Error code for SYST:ERR? query

01: RS485 busy, the master controller is communicating with power supply.
02: RS485 error, power supply receives command error.
03: RS485 error, SPLR-MC1 controller time out error. Controller sends data to power supply but no response.
04: RS485 error, output voltage and current measurement errors.
20: GPIB error, GPIB command parameter error.
30: GPIB error, power supply command is not selected or missed.
50: GPIB error, GPIB command not in the list.
60: GPIB error, try to send a command to a channel already in a parallel group.
70: GPIB error, command error during parallel operation.

# FIVE: CALIBRATION

## *INTRODUCTION*



### **WARNING**

Exercise caution when using and calibrating a power supply. High energy levels can be stored at the output voltage terminals on a power supply in normal operation. In addition, potentially lethal voltages exist in the power circuit and on the output and sense connectors of a power supply with a rated output greater than 40V. Filter capacitors store potentially dangerous energy for some time after power is removed.

This procedure describes calibration for the AMREL Programmable DC Power Supply. The supply is calibrated remote control only. The following information provides calibration procedures in remote mode.

**NO** hardware adjustment is necessary since all calibration is accomplished by software. To maintain power supply's precision output, calibration should be performed at least annually.

The four parameters that need be calibrated are output voltage, output current, readback voltage and readback current. After all the power supply parameters are calibrated, the supply returns to normal operating condition. If there are any errors in the calibration, cycle the power and recalibrate. All constants are saved in a non-volatile EEPROM.

## *CALIBRATION SERVICE ENVIRONMENT AND PRECAUTIONS*

- Follow established antistatic procedures.
- Work at a bench with adequate room and support for the test unit and for all equipment required.
- To reduce shock hazard, use only an insulated, straight-bladed screwdriver when calibrating.
- NEVER calibrate these units alone. Ensure that someone is present who can help should an accident occur.

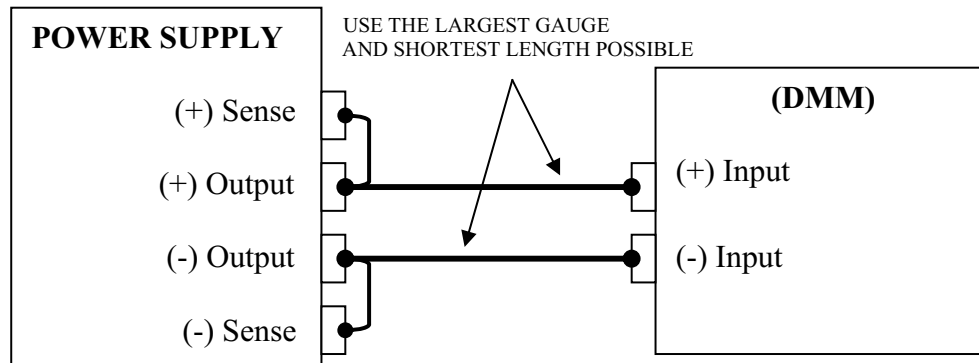
## *CALIBRATION CONFIGURATION*

You will need the following equipment when calibrating your power supply:

- 5 ½ digit true RMS voltmeters (DMM) (  $\pm 0.05\%$  accuracy ) with test leads
- Current shunt 1mV/AMP (  $\pm 0.25\%$  ) and connecting wire. The recommended current ratings for the DC shunt and connecting wire must be at least 10% greater than the power supply's output current rating.

If your product requires calibration and need a calibration kit, please contact our sales department at 1-800-654-9838 for more detail information. (Kit Part Number: SPS/CAL)

## ***VOLTAGE CALIBRATION SETUP***



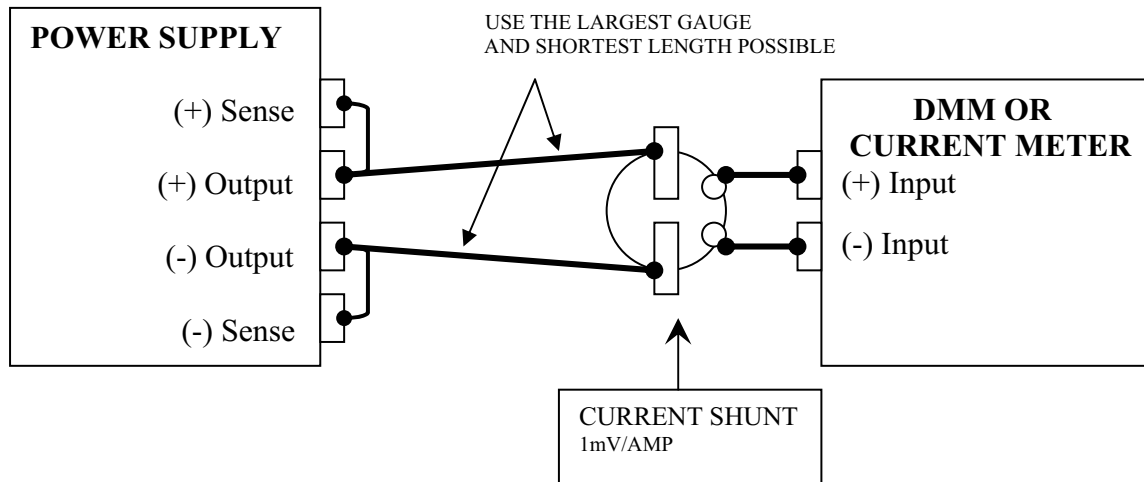
Connect Voltmeter to measure voltage at sense points as above; Power on, wait about 1-2 minutes.

## ***VOLTAGE CALIBRATION COMMAND STEP SEQUENCE***

- 1) CAL:STAT <channel> ON – enables the calibration mode
- 2) CAL:VOLT:LEV <channel> MIN – power supply sends low offset voltage to output.
- 3) Read voltage value from DMM and send this value to the power supply using “CAL:VOLT <channel> <value>” command.
- 4) CAL:VOLT:LEV <channel> MAX – power supply sends high offset voltage to output.
- 5) Read voltage value from DMM and send this value to the power supply using “CAL:VOLT <channel> <value>”.
- 6) CAL:SAVE <channel> - calculates new voltage calibration data.
- 7) CAL:STAT<channel> OFF – disables the calibration mode
- 8) \*SAV <channel>– saves all calibration data to internal flash memory. Please wait about 2 minutes.



## ***CURRENT CALIBRATION SETUP***



## ***CURRENT CALIBRATION COMMAND STEP SEQUENCE***

- 1) CAL:STAT <channel> ON – enables the calibration mode.
- 2) CAL:CURR:LEV <channel> MIN – power supply sends low offset voltage to output.
- 3) Read voltage value from DMM. Divide value (volts) by the current shunt resistance (ohms) to obtain calculated current value. Send this value to the power supply using command “CAL:CURR <channel> <value>”.
- 4) CAL:CURR:LEV <channel> MAX – power supply sends high offset voltage to output.
- 5) Read voltage value from DMM. Divide value (volts) by the current shunt resistance (ohms) to obtain calculated current value. Send this value to the power supply using command “CAL:CURR<channel> <value>”.
- 6) CAL:SAVE <channel> – saves new current calibration data.
- 7) CAL:STAT<channel> OFF – disables the calibration mode
- 8) \*SAV <channel> – saves all calibration data to internal flash memory. Wait about 2 minutes.

That is end of Calibration Procedure.

## ***RE-INSTALLING CALIBRATION DATA***

In case, the calibration data becomes corrupted by abnormal conditions, the power supply has a built in capability for re-installing the last calibration data without having to recalibrate the supply.

1. First you need to read the power supply's slope and offset values when you receive your power supply, or you can call American Reliance Inc to get this power supply's calibration information (Need serial number)

Get calibration data procedure:

Get slope value:

- Run command: "**SYST: SLOPE? <channel> 1**", get voltage output calibration slope.
- Run command: "**SYST: SLOPE? <channel> 2**", get current output calibration slope.
- Run command: "**SYST: SLOPE? <channel> 3**", get voltage read back calibration slope.
- Run command: "**SYST: SLOPE? <channel> 4**", get current read back calibration slope.

Get offset value:

- Run command: "**SYST: OFFSET? <Channel> 1**", get voltage output calibration offset.
- Run command: "**SYST: OFFSET? <Channel> 2**", get current output calibration offset.
- Run command: "**SYST: OFFSET? <Channel> 3**", get voltage read back calibration offset.
- Run command: "**SYST: OFFSET? <Channel> 4**", get current read back calibration offset.

2. Once you obtain all the calibration information, you can resave this calibration information to the power supply.

Resave voltage calibration information to power supply.

- Run command: "**SYST: SLOPE <channel> 1 <voltage output slope value>**".
- Run command: "**SYST: SLOPE <channel> 3 <voltage read back slope value>**".
- Run command: "**SYST: OFFSET <channel> 1 <voltage output offset value>**".
- Run command: "**SYST: OFFSET <channel> 3 <voltage read back offset value>**".
- Run command: "**VOLT: CAL: SAVE <channel>**", save new calibration information to power supply.

Resave current calibration information to power supply

- Run command: "**SYST: SLOPE <channel> 2 <current output slope value>**".
- Run command: "**SYST: SLOPE <channel> 4 <current read back slope value>**".
- Run command: "**SYST: OFFSET <channel> 2 <current output offset value>**".
- Run command: "**SYST: OFFSET <channel> 4 <current read back offset value>**".
- Run command: "**CURR: CAL: SAVE <channel>**", save new calibration information to power supply.

- \* Test and save calibration information to FLASH memory.

After saving the power supply's calibration information, you need test the voltage and current output and read back values. If all values are within specifications, then you can save calibration data to FLASH memory. The command to save the information is "**\*SAV <channel> [n]**".

**NOTE:** If saved without the profile number (**\*SAV <channel>**), it may require 2-3 minutes processing time or at least wait until query returns to 0.