



# Advanced Test Equipment Corp.

www.atecorp.com 800-404-ATEC (2832)



**A.H. Systems, Inc.**

9710 Cozycroft Ave.  
Chatsworth, CA 91311



Tel: (818) 998-0223



sales@AHSystems.com

Fax: (818) 998-6892



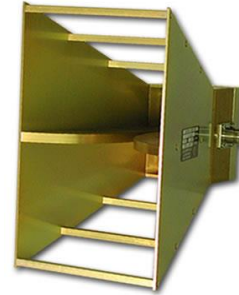
www.AHSystems.com

## SAS-571

### Double Ridge Guide Horn Antenna

700 MHz – 18 GHz

High gain, low VSWR, input handling capability up to 300 watts CW, and rugged design make this horn antenna excellent for both immunity and emissions testing.



Frequency Range: 700 MHz – 18 GHz

Antenna Factor (1 Meter): 22 to 44

Gain (dBi): 1.4 to 15

Maximum Continuous Power: 300 Watts

Max Radiated Field: 200 V/m

3 dB Beamwidth (E-Field): 48° (average)

3 dB Beamwidth (H-Field): 30° (average)

Impedance: 50  $\Omega$

Average VSWR: < 2:1 (3.5:1 max)

Connector: N-Type, female

Mounting Base: ¼ - 20 Thread, female

### Features

- Broad Frequency Range of 700 MHz to 18 GHz
- Linearly Polarized High Gain, Low VSWR
- Individually Calibrated at 1, 3 and 10 Meter Horizontal Polarity
- Three year Warranty



The SAS-571 Double Ridge Guide Horn Antenna is lightweight, compact and has been manufactured for maximum gain, low VSWR and broadband response. The double ridge guide horn antenna was initially designed for surveillance where a high gain broadband response was required. The original design was to have a 30-degree beamwidth, which is ideal for EMI measurements and compliance testing.

### Recommended Accessories

- PAM-0118P (preamplifier)
- SAC-18G-3 (3 Meter High-Frequency, Low-Loss Cable)
- ATU-510 (Antenna Tripod)
- ATU-514 (Tripod, non-metallic)



# A.H. Systems, Inc.

9710 Cozycroft Ave.  
Chatsworth, CA 91311



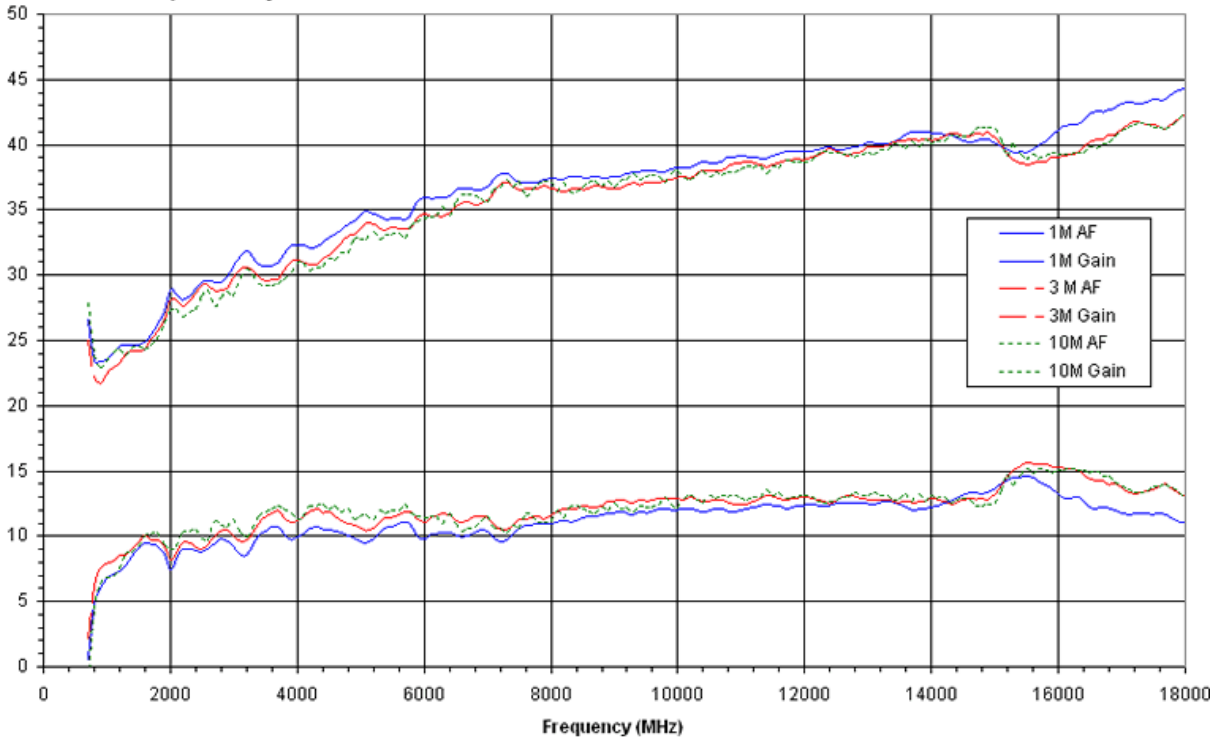
Tel: (818) 998-0223  
Fax: (818) 998-6892

◆ sales@AHSystems.com  
◆ www.AHSystems.com



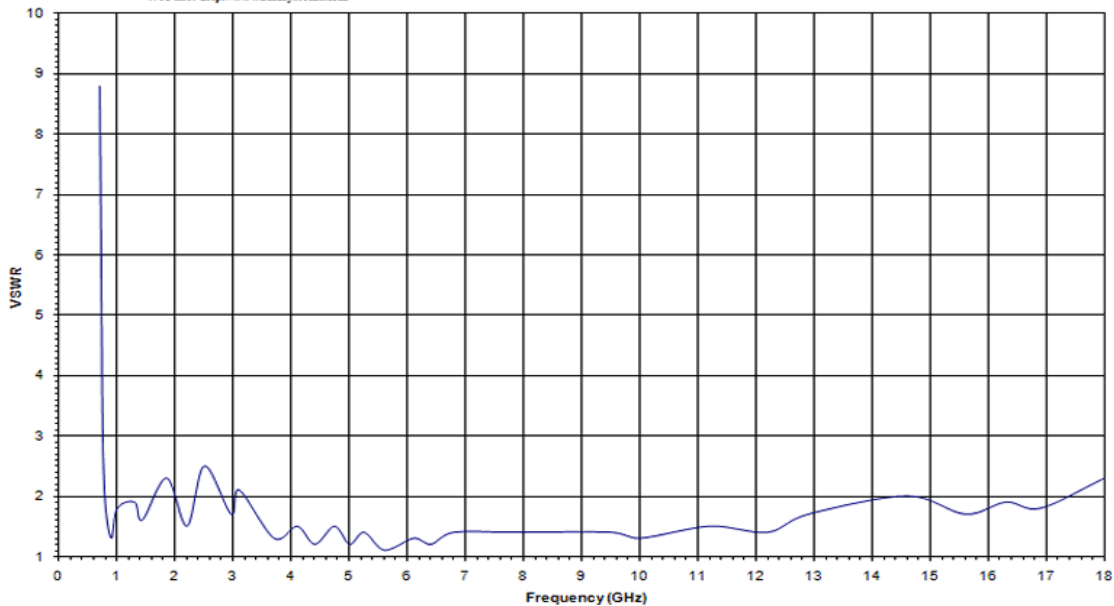
A.H. Systems Inc.  
9710 Cozycroft Ave. Chatsworth, CA 91311  
Phone (818) 998-0223 Fax (818) 998-6892  
E-mail: sales@AHSystems.com  
Web site: <http://www.AHSystems.com>

Double Ridge Guide  
Horn Antenna  
Model: SAS-571



A.H. Systems Inc.  
9710 Cozycroft Ave. Chatsworth, CA 91311  
Phone (818) 998-0223 Fax (818) 998-6892  
E-mail: info@AHSystems.com  
Web site: <http://www.AHSystems.com>

VSWR  
Double Ridge Guide Horn Antenna  
Model SAS-571





**A.H. Systems, Inc.**

9710 Cozycroft Ave.

Chatsworth, CA 91311



Tel: (818) 998-0223

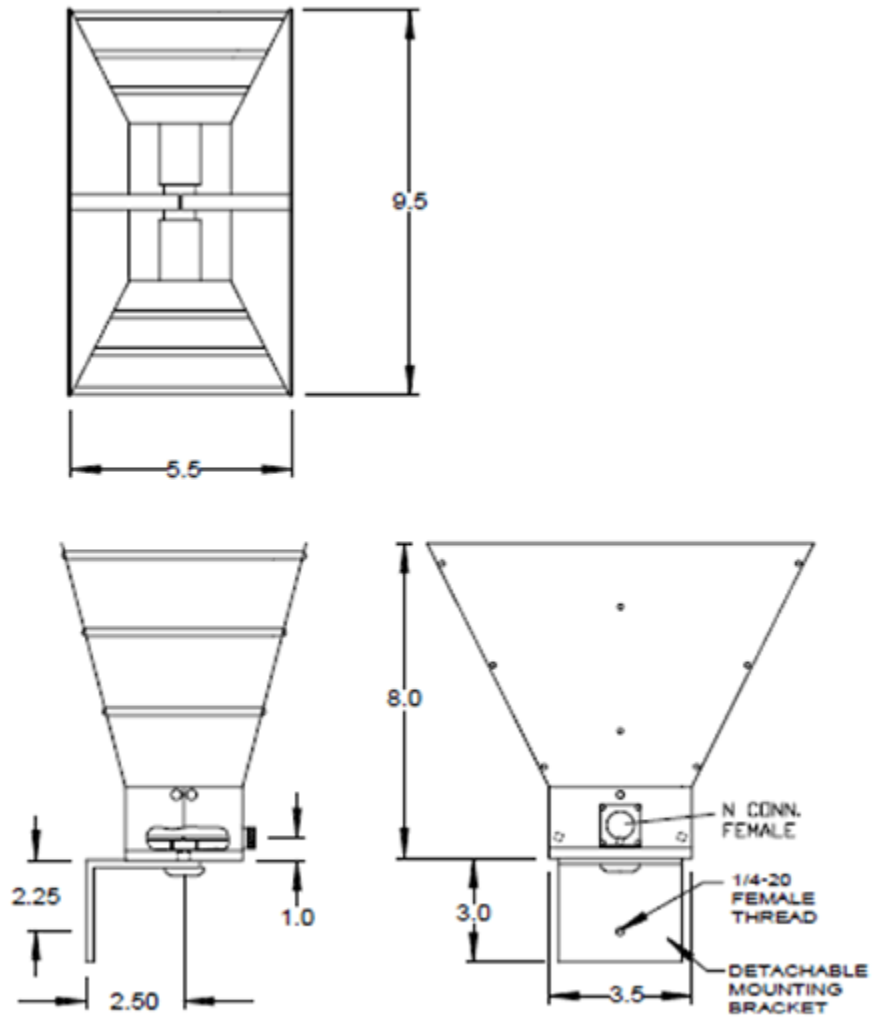


sales@AHSystems.com

Fax: (818) 998-6892



www.AHSystems.com



**Physical Dimensions:**

Length: 8 in. (20.3 cm)

Width: 5.6 in. (14.2 cm)

Height: 9.6 in. (24.4 cm)

Weight: 3.5 lb.'s (1.59 kg)

Aperture: 5.5" x 9.6" (13.9cm x 24.4cm)