

## ATS-615 THERMOSTREAM®

DATASHEET AND SPECIFICATIONS

**-45° to +225°C**



Designed for **60Hz operation only**, this Advanced Temperature Source is for fast and precise thermal conditioning of components, parts, hybrids, modules, subassemblies, and printed circuit boards. Capable of ultra-low temperatures **without** the use of Liquid Nitrogen (LN<sub>2</sub>) or Liquid Carbon Dioxide (LCO<sub>2</sub>).

### PERFORMANCE:

#### Temperature Range\*

-45 to +225°C  
No LN<sub>2</sub> or LCO<sub>2</sub> Required

#### Transition Rate\*

-40 to +125°C, <12 seconds  
+125 to -40°C, <40 seconds

#### System Airflow Output\*

4 to 10scfm (1.9 to 4.7 l/s) Continuous

\*Under nominal operating conditions.  
Transition rates achieved with 20amp system, 10scfm

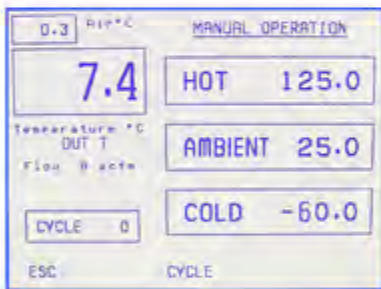
### TEMPERATURE CONTROL:

**Temperature Display & Resolution**  
+/- 0.1°C

**Temperature Accuracy**  
1.0°C (when calibrated against NIST standard)

**DUT Temperature Control**  
proprietary control algorithm enables DUT temperature to be directly controlled

**DUT Sensor Ports**  
thermocouples: type T & K



OPERATOR SCREEN

### FEATURES:

#### ► Frost Free Feature

dry air purge for tester interface, prevents condensation: 0.5 to 3scfm (0.25 to 1.5 l/s)

#### ► ECO Friendly Feature

**Heat Only Mode**  
reduces power usage when cold temperatures are not used

#### ► Fully Adjustable Thermal Head

► Local & Remote Operations

► LabView™ drivers

► IEEE-488, RS232 ports

► customizable and savable test setups

► Program & Datalog Storage

► User Defined Temperature Limits

### APPLICATION OPTIONS:

#### ► Thermal Cap

5.5 inch ID Glass Thermal Cap to enclose your test subject

#### ► High Performance Air Dryer

(optional) a 20scfm air dryer for drying supply air to <-70°C dewpoint, refer to air dryer data sheet (SL10690) for technical specifications

#### ► System Cart

(optional) a castered, heavy-duty, steel cart for portability and easy mounting of thermal head and operator control module

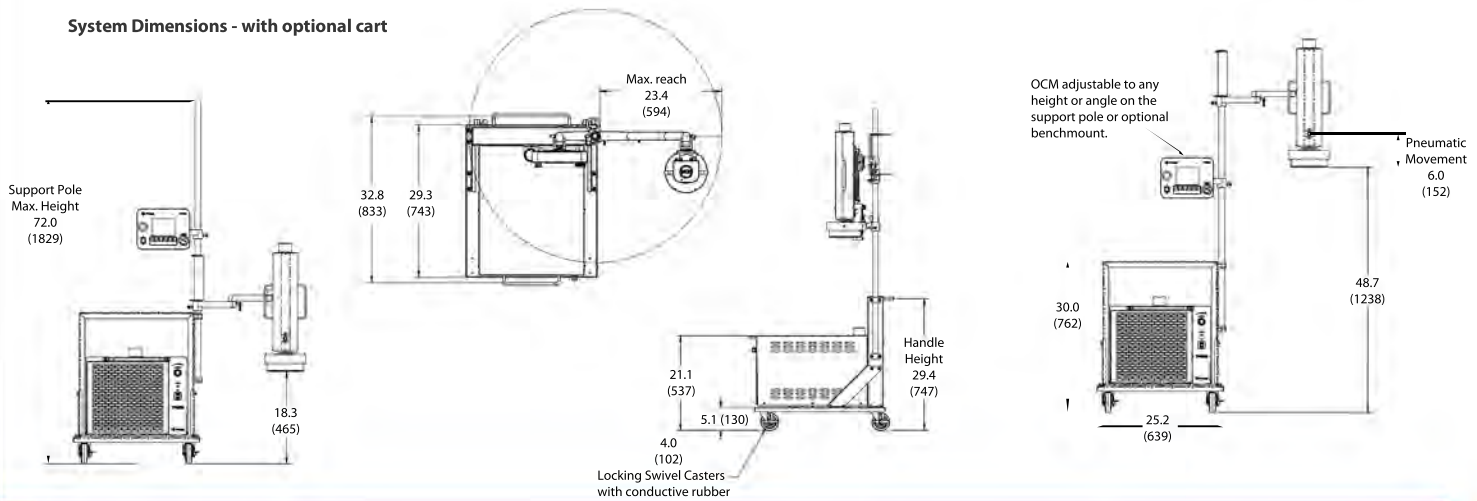
#### ► Benchmount

(optional) conveniently clamps the thermal head to a benchtop or workstation



PROGRAM SCREEN

## System Dimensions - with optional cart



## Weights and Dimensions

### Dimensions

**Controller:** 26.7cm (10.5 inches) wide X 20.7cm (8.13 inches) high X 9.8cm (3.8 inches) deep

**Chiller:** 51.3cm (20.2 inches) wide X 41.4cm (16.3 inches) high X 74.9cm (29.5 inches) deep

### Weight

**System:** 112.0kg (247lbs.)

**Chiller:** 74.5kg (157lbs)

**Chiller with Cart:** 100.8kg (215lbs)

### Noise Level

<60dBA

## Service and Safety

### Refrigerants

HCFC and CFC-free, non-toxic, non-flammable

### Serviceability

Auto-diagnostics and field replaceable modules

### Over Temperature Protection

+230°C (factory set): Operator can set high and low air temperature limits

## Facility Requirements

### Power<sup>2</sup>

**60Hz only, system does not operate at 50Hz**

115 ±10% VAC, 60Hz, 20amp (15amp available)

220 ±10% VAC, 60Hz, 20amp

### Compressed Air<sup>3</sup>

#### Clean, Dry Air (CDA)

Filtered to 5 micron particulate contamination.

Oil Content: <0.1 ppm, by weight, filtered to 0.01 micron oil contaminant.

Dewpoint: <-70°C @ 6.2 BAR (90PSI)

#### Air Supply Pressure

5.5 to 7.6 BAR (90 to 110 PSIG)

#### Total Air Flow Rate Required

5.7 l/s (12 scfm)

2.8 l/s (6scfm) minimum

#### Air Supply Temperature

+20° to +25°C; +22°C nominal

### Operating Environment<sup>3</sup>

#### Operating Temperature

+20° to +28°C; +23°C nominal

#### Humidity

0 to 60%; 45% nominal

<sup>2</sup> System is configured for operation within voltages listed above. Please specify power configuration with order.

<sup>3</sup> Under operating conditions which are greater or less than nominal, performance may be less than specification provided.



**inTEST Thermal Solutions**  
 41 Hampden Road  
 Mansfield, MA 02048  
 TEL: 1.781.688.2300  
 www.inTESTthermal.com

ISO 9001 Certified

