



Smart choice for power

xantrex



- XFR 7.5-300**
- XFR 12-220**
- XFR 20-130**
- XFR 33-85**
- XFR 40-70**
- XFR 60-46**
- XFR 100-28**
- XFR 150-18**
- XFR 300-9**
- XFR 600-4**

Operating Manual

**XFR 2800 Watt Series
Programmable DC
Power Supply**



Operating Manual for

**XFR 2800 Watt Series
Programmable DC
Power Supply**

Limited Warranty

What does this warranty cover and how long does it last?

This Limited Warranty is provided by Xantrex Technology, Inc. (“Xantrex”) and covers defects in workmanship and materials in your **XFR 2800 Watt Series DC Power Supply**. This warranty lasts for a Warranty Period of **5 years** from the date of purchase at point of sale to you, the original end user customer.

What will Xantrex do?

Xantrex will, at its option, repair or replace the defective product free of charge, provided that you notify Xantrex of the product defect within the Warranty Period, and provided that Xantrex through inspection establishes the existence of such a defect and that it is covered by this Limited Warranty.

Xantrex will, at its option, use new and/or reconditioned parts in performing warranty repair and building replacement products. Xantrex reserves the right to use parts or products of original or improved design in the repair or replacement. If Xantrex repairs or replaces a product, its warranty continues for the remaining portion of the original Warranty Period or 90 days from the date of the return shipment to the customer, whichever is greater. All replaced products and all parts removed from repaired products become the property of Xantrex.

Xantrex covers both parts and labor necessary to repair the product, and return shipment to the customer via a Xantrex-selected non-expedited surface freight within the contiguous United States and Canada. Alaska and Hawaii are excluded. Contact Xantrex Customer Service for details on freight policy for return shipments outside of the contiguous United States and Canada.

How do you get service?

If your product requires troubleshooting or warranty service, contact your merchant. If you are unable to contact your merchant, or the merchant is unable to provide service, contact Xantrex directly at:

Phone:	604 422 8595
Toll Free North America:	1 800 667 8422
Fax:	604 421 3056
Email:	info@xantrex.com

Direct returns may be performed according to the Xantrex Return Material Authorization Policy described in your product manual. For some products, Xantrex maintains a network of regional Authorized Service Centers. Call Xantrex or check our website to see if your product can be repaired at one of these facilities.

In any warranty claim, dated proof of purchase must accompany the product and the product must not have been disassembled or modified without prior written authorization by Xantrex.

Proof of purchase may be in any one of the following forms:

- The dated purchase receipt from the original purchase of the product at point of sale to the end user, or
- The dated dealer invoice or purchase receipt showing original equipment manufacturer (OEM) status, or
- The dated invoice or purchase receipt showing the product exchanged under warranty

What does this warranty not cover?

This Limited Warranty does not cover normal wear and tear of the product or costs related to the removal, installation, or troubleshooting of the customer's electrical systems. This warranty does not apply to and Xantrex will not be responsible for any defect in or damage to:

- a. the product if it has been misused, neglected, improperly installed, physically damaged or altered, either internally or externally, or damaged from improper use or use in an unsuitable environment;
- b. the product if it has been subjected to fire, water, generalized corrosion, biological infestations, and high input voltage from lightning strikes;
- c. the product if repairs have been done to it other than by Xantrex or its authorized service centers (hereafter "ASCs");
- d. the product if it is used as a component part of a product expressly warranted by another manufacturer;
- e. the product if its original identification (trade-mark, serial number) markings have been defaced, altered, or removed.

Disclaimer Product

THIS LIMITED WARRANTY IS THE SOLE AND EXCLUSIVE WARRANTY PROVIDED BY XANTREX IN CONNECTION WITH YOUR XANTREX PRODUCT AND IS, WHERE PERMITTED BY LAW, IN LIEU OF ALL OTHER WARRANTIES, CONDITIONS, GUARANTEES, REPRESENTATIONS, OBLIGATIONS AND LIABILITIES, EXPRESS OR IMPLIED, STATUTORY OR OTHERWISE IN CONNECTION WITH THE PRODUCT, HOWEVER ARISING (WHETHER BY CONTRACT, TORT, NEGLIGENCE, PRINCIPLES OF MANUFACTURER'S LIABILITY, OPERATION OF LAW, CONDUCT, STATEMENT OR OTHERWISE), INCLUDING WITHOUT RESTRICTION ANY IMPLIED WARRANTY OR CONDITION OF QUALITY, MERCHANTABILITY OR FITNESS FOR A PARTICULAR PURPOSE. ANY IMPLIED WARRANTY OF MERCHANTABILITY OR FITNESS FOR A PARTICULAR PURPOSE TO THE EXTENT REQUIRED UNDER APPLICABLE LAW TO APPLY TO THE PRODUCT SHALL BE LIMITED IN DURATION TO THE PERIOD STIPULATED UNDER THIS LIMITED WARRANTY.

IN NO EVENT WILL XANTREX BE LIABLE FOR ANY SPECIAL, DIRECT, INDIRECT, INCIDENTAL OR CONSEQUENTIAL DAMAGES, LOSSES, COSTS OR EXPENSES HOWEVER ARISING WHETHER IN CONTRACT OR TORT INCLUDING WITHOUT RESTRICTION ANY ECONOMIC LOSSES OF ANY KIND, ANY LOSS OR DAMAGE TO PROPERTY, ANY PERSONAL INJURY, ANY DAMAGE OR INJURY ARISING FROM OR AS A RESULT OF MISUSE OR ABUSE, OR THE INCORRECT INSTALLATION, INTEGRATION OR OPERATION OF THE PRODUCT.

Exclusions If this product is a consumer product, federal law does not allow an exclusion of implied warranties. To the extent you are entitled to implied warranties under federal law, to the extent permitted by applicable law they are limited to the duration of this Limited Warranty. Some states and provinces do not allow limitations or exclusions on implied warranties or on the duration of an implied warranty or on the limitation or exclusion of incidental or consequential damages, so the above limitation(s) or exclusion(s) may not apply to you. This Limited Warranty gives you specific legal rights. You may have other rights which may vary from state to state or province to province.

Information WITHOUT LIMITING THE GENERALITY OF THE FOREGOING, UNLESS SPECIFICALLY AGREED TO BY IT IN WRITING, XANTREX

- a. MAKES NO WARRANTY AS TO THE ACCURACY, SUFFICIENCY OR SUITABILITY OF ANY TECHNICAL OR OTHER INFORMATION PROVIDED IN MANUALS OR OTHER DOCUMENTATION PROVIDED BY IT IN CONNECTION WITH THE PRODUCT; AND
- b. ASSUMES NO RESPONSIBILITY OR LIABILITY FOR LOSSES, DAMAGES, COSTS OR EXPENSES, WHETHER SPECIAL, DIRECT, INDIRECT, CONSEQUENTIAL OR INCIDENTAL, WHICH MIGHT ARISE OUT OF THE USE OF SUCH INFORMATION.

THE USE OF ANY SUCH INFORMATION WILL BE ENTIRELY AT THE USER'S RISK.

WARNING: Please refer to your product user manual for limitations on uses of the product.
Limitations on Use Specifically, please note that this power supply is not intended for use in connection with life support systems and Xantrex makes no warranty or representation in connection with any use of the product for such purposes.

Xantrex Technology, Inc.
8999 Nelson Way
Burnaby, British Columbia
Canada V5A 4B5

Information About Your Power Supply Please record the following information when you first open your Power Supply package:

Model Number	_____
Serial Number	_____
Purchased From	_____
Purchase Date	_____

Release Release 2.1 (2002-06)

Warnings and Cautions

Warnings and cautions are defined and formatted in this manual as shown below.



WARNING

Describes a potential hazard which could result in injury or death, or, a procedure which, if not performed correctly, could result in injury or death.



CAUTION

Describes a procedure which, if not performed correctly, could result in damage to data, equipment, or systems.

Power Supply Safety



WARNING—High Energy and High Voltage

Exercise caution when using and calibrating a power supply. High energy levels can be stored at the output voltage terminals on a power supply in normal operation. In addition, potentially lethal voltages exist in the power circuit and on the output and sense connectors of a power supply with a rated output greater than 40 V. Filter capacitors store potentially dangerous energy for some time after power is removed.



CAUTION

Operate the power supply in an environment free of flammable gases or fumes. To ensure that the power supply's safety features are not compromised, use the power supply as specified in this manual and do not substitute parts or make any unauthorized modifications. Contact the service technician for service and repair help. Repairs must be made by experienced service technicians only.



CAUTION

For Use as a Battery Charger

When you are using any of these power supplies for battery charging applications, it is essential to provide an appropriately sized fuse or circuit breaker in series between the power supply output and the battery.

Installation of a protector (fuse or DC circuit breaker) rated for about 115% of the maximum current rating of the power supply and designed specifically to interrupt the DC voltage of the battery, will provide adequate reverse polarity current protection. Where several power supplies are in parallel, it is best to fuse each one, rather than one large fuse for all.

About This Manual

This Operating Manual contains user information for the XFR Series of variable DC output power supplies, available in several voltage models at 2800 Watts. It provides information about features and specifications, installation procedures, and basic functions testing, as well as operating procedures for using both front panel control and remote analog programming functions.

Who Should Use This Manual

This manual is designed for the user who is familiar with basic electrical laws especially as they apply to the operation of power supplies. This implies a recognition of Constant Voltage and Constant Current operating modes and the control of input and output power, as well as the observance of safe techniques while making supply or pin connections and any changes in switch settings.

Main Sections

Section 1 Features and Specifications Describes the power supply and lists its features and specifications.

Section 2 Installation Goes through basic setup procedures. Describes inspection, cleaning, shipping, and storage procedures. Includes AC input connection, basic functions testing, and load and sense lines connections.

Section 3 Local Operation Provides procedures for local (front panel) operation. Includes procedures for using over voltage protection, shutdown function, multiple supplies, and over temperature protection.

Section 4 Remote Operation Covers remote analog programming operation and remote monitoring of output voltage and current.

Section 5 Calibration Includes calibration for programming and readback accuracy.

Manual Revisions

The current release of this manual is listed below. Updates may be issued as an addendum.

Release 2.1 (2002-06)

About This Manual

Power Supply Safety Markings



Alternating Current



Earth (Ground) Terminal



Protective Conductor Terminal



On (Supply)



Off (Supply)



Caution (Hot Surface)



Caution (Check manual for additional information.)

Contents

	About This Manual	vii
	List of Figuresxi
	List of Tables	xiii
Section 1. Features and Specifications	Description	15
	Features and Options	15
	Front Panel Controls	17
	Rear Panel Connectors and Switch	18
	Rear Panel SW1 Switch	20
	Rear Panel J2 Connector	22
	Specifications	25
	Electrical Specifications	25
	Additional Specifications	30
	Input Conditions	30
	Additional Features	31
	Remote Programming and Monitoring	31
	Environmental Specifications	32
Mechanical Specifications	33	
Section 2. Installation	Introduction	35
	Basic Setup Procedure	35
	Inspection, Cleaning, and Packaging	36
	Initial Inspection	36
	Periodic Cleaning	36
	Returning Power Supplies to the Manufacturer	37
	Return Material Authorization Policy	37
	Packaging for Shipping or Storage	38
	Location, Mounting, and Ventilation	39
	Rack Mounting	39
	Ventilation	39
	AC Input Power	40
	AC Input Connector and Voltage Selection	40
	AC Input Cord	40
	AC Input Wire Connection	41
	Functional Tests	43
	Equipment Required	43
	Power-on Check	43
	Voltage Mode Operation Check	43
	Current Mode Operation Check	44
Front Panel Function Checks	44	
Load Connection	45	
Load Wiring	45	
Making Load Connections	46	
Inductive Loads	50	

	Connecting Single Loads	50
	Connecting Multiple Loads	51
	Local and Remote Sensing	53
	Sense Wiring	53
	Local Sensing	53
	Using Remote Sensing	55
Section 3.	Introduction	57
Local	Standard Operation	57
Operation	Operating Modes and Automatic Crossover	57
	Shipped Configuration (Local Control Mode)	59
	Setting Output Voltage and Current Limit	60
	Using Over Voltage Protection (OVP)	61
	Front Panel OVP Operation	61
	Resetting the OVP Circuit	62
	Using the Shutdown Function	63
	STANDBY Switch	63
	Controlling the Shutdown Function via the J2 Connector	63
	Using Multiple Supplies	65
	Configuring Multiple Supplies for Series Operation	65
	Configuring Multiple Supplies for Parallel Operation	66
	Configuring Multiple Supplies for Split Supply Operation	67
	Over Temperature Protection (OTP)	70
	User Diagnostics	71
	Emergency Shutdown	71
	Unusual or Erratic Operation	71
	Troubleshooting for Operators	71
Section 4.	Introduction	73
Remote	Remote Analog Programming of Output Voltage and Current Limit	74
Operation	Remote Programming Options	74
	Remote Analog Programming Procedure	74
	Remote Monitoring of Output Voltage and Current	78
	Readback Signals	78
Section 5.	Introduction	79
Calibration	Calibration Setup	79
	Service Environment and Precautions	79
	Equipment Required	79
	Accessing Calibration Potentiometers	80
	Calibrating for Programming Accuracy	82
	Voltage Programming Circuit Calibration	82
	Current Limit Programming Circuit Calibration	83
	Calibrating for Readback Accuracy	84
	Output Voltage Monitor Circuit Calibration	84
	Output Current Monitor Circuit Calibration	85

List of Figures

Figure 1.1	Power Supply Front Panel	17
Figure 1.2	Power Supply Rear Panel	19
Figure 1.3	Programming and Monitoring SW1 Switch	20
Figure 1.4	Programming and Monitoring J2 Connector	22
Figure 1.5	Typical Input Current Characteristics.	30
Figure 1.6	Dimensional Drawings.	34
Figure 2.1	Shipping or Storage Carton Label	38
Figure 2.2	AC Input Cover and Strain Relief.	42
Figure 2.3	Maximum Load Wire Length for 1 V Line Drop	46
Figure 2.4	Output Strain Relief and Cover	47
Figure 2.5	Typical Load Connection Hardware.	48
Figure 2.6	Output Voltage Connector.	49
Figure 2.7	Single Load with Local Sensing (Default)	50
Figure 2.8	Single Load with Remote Sensing.	50
Figure 2.9	Multiple Loads with Local Sensing.	51
Figure 2.10	Multiple Loads with Remote Sensing.	52
Figure 2.11	J10 Sense Connector	54
Figure 2.12	Connecting Remote Sense Lines	56
Figure 3.1	Operating Modes	58
Figure 3.2	Series Operation of Multiple Supplies	66
Figure 3.3	Parallel Operation of Multiple Supplies	67
Figure 3.4	Split Supply Operation of Multiple Supplies.	68
Figure 3.5	Split Supply Operation of Multiple Supplies.	69
Figure 4.1	Connecting Programming Sources to J2 Connector	77
Figure 5.1	Programming and Monitoring Calibration Locations	81

List of Figures

List of Tables

Table 1.1	Available Voltage and Current Ranges	15
Table 1.2	Rear Panel SW1 Switch Assignments	21
Table 1.3	Rear Panel J2 Connector Terminals and Functions	23
Table 1.4	Specifications for 7.5 V to 40 V Models	26
Table 1.5	Specifications for 60 V to 600 V Models	28
Table 2.1	Basic Setup Procedure	35
Table 2.2	Operation AC Input Voltage Range and Frequency	40
Table 2.3	AC Wire Specification	41
Table 2.4	Current Carrying Capacity for Load Wiring	45
Table 2.5	Rear Panel J10 Sense Connector Terminals and Functions	54
Table 3.1	Shipped Configuration (Local Control Mode)	59
Table 3.2	Switch Settings for Shutdown Circuit Logic	64
Table 3.3	Switch Settings for Over Temperature Recovery Options	70
Table 3.4	User Diagnostics	72
Table 4.1	Remote Programming Options	74
Table 4.2	Power Supply Settings for Different Programming Sources	76
Table 4.3	Power Supply Settings for Remote Monitoring of Readback Signals	78

List of Tables

Section 1. Features and Specifications

Description

This series of power supplies provides low noise, precisely regulated, variable DC output at 2800 watts of output power. Over voltage protection (OVP) and thermal shutdown are standard. Front panel controls and indicators are extensive. Select from several remote control choices: standard analog programming, optional isolated programming or readback, and optional GPIB programming or RS-232 control. Remote monitoring of output voltage and current is a standard feature. Use this power supply either on your bench or in a standard 19 in. (483 mm) rack: the unit occupies only 3.5 in. (2 U) of vertical rack space. Designed for continuous use in standalone or systems applications, this power supply is typically used to power DC equipment, control magnets, or burn in components. See Table 1.1 for the list of available models.

Table 1.1 Available Voltage and Current Ranges

Model	Voltage Range	Current Range
7.5-300	0-7.5 V	0-300 A
12-220	0-12 V	0-220 A
20-130	0-20 V	0-130 A
33-85	0-33 V	0-85 A
40-70	0-40 V	0-70 A
60-46	0-60 V	0-46 A
100-28	0-100 V	0-28 A
150-18	0-150 V	0-18 A
300-9	0-300 V	0-9 A
600-4	0-600 V	0-4 A

Features and Options

- Simultaneous digital display of both voltage and current.
- Ten-turn front panel voltage and current controls for high resolution setting of the output voltage and current from zero to the rated output.
- Automatic mode crossover into current or voltage mode.

Features and Specifications

Features and Options

- Front panel push-button control of output standby mode and preview of voltage, current, or over voltage protection setpoints. Front panel light emitting diode (LED) indicators for voltage and current mode operation, OVP, remote programming mode, and shutdown. Front panel control of OVP.
- Multiple units can be connected in parallel or in series to provide increased current or voltage.
- Over temperature protection (OTP) shutdown; latches or automatically resets.
- Remote analog voltage and current limit programming with selectable programming ranges.
- External monitor signals for output voltage and current.
- Isolated analog remote programming control of the output voltage or current and isolated readback of output voltage and current with the optional ISOL Interface.
- Optional internal GPIB or RS-232 control for remote digital programming and readback from a computer.
- Rack mount brackets at the front panel are standard.

Front Panel Controls

See Figure 1.1 to review the controls, LEDs, and meters located on the power supply's front panel. Check the following sections for additional descriptions of front panel controls and functions.

- “Mechanical Specifications” on page 33
- “Functional Tests” on page 43
- Section 3. Local Operation

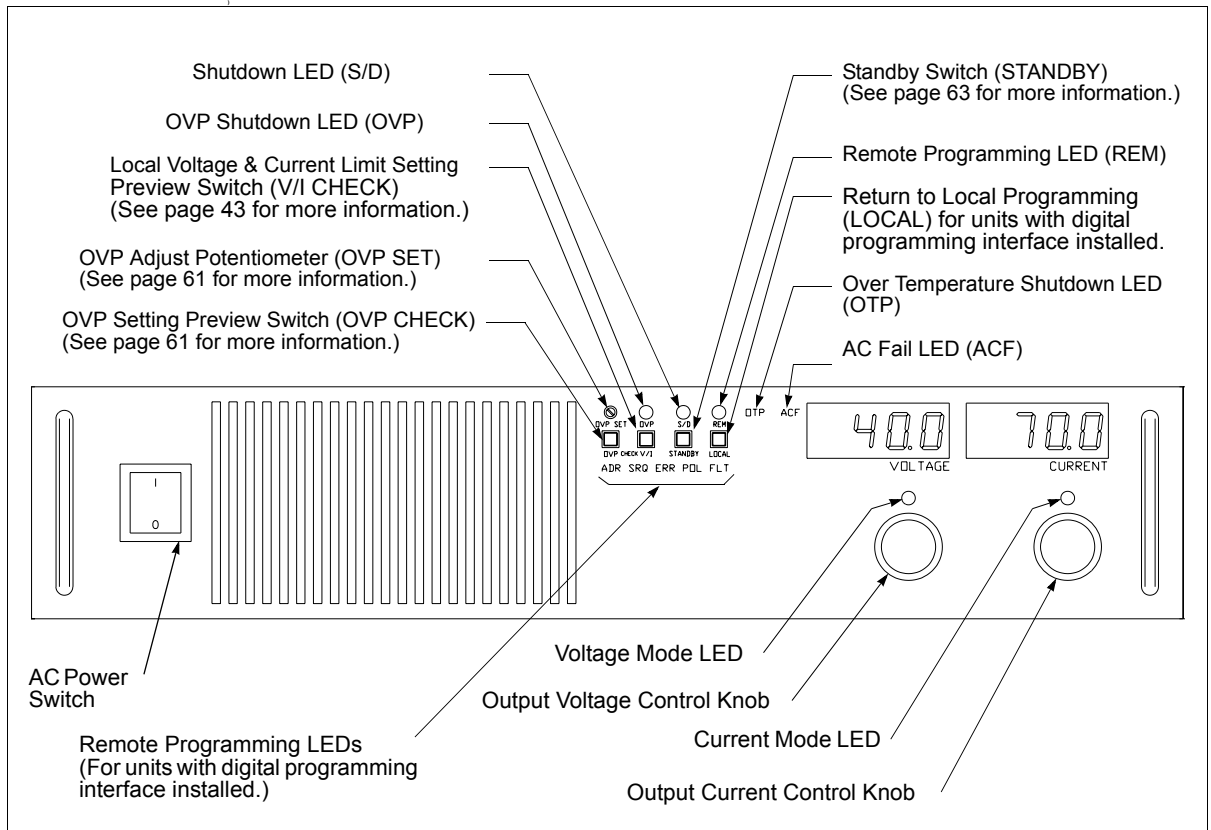


Figure 1.1 Power Supply Front Panel

Features and Specifications

Rear Panel Connectors and Switch

Rear Panel Connectors and Switch

Use the rear panel SW1 Programming, Monitoring, and Shutdown Select switch and the rear panel J2 Programming and Monitoring connector to choose among several remote programming and monitoring options. See Figure for switches and connectors available at the rear panel. See “Rear Panel SW1 Switch” on page 20 and “Rear Panel J2 Connector” on page 22 for a list of switches and connector functions, and procedures for using them.

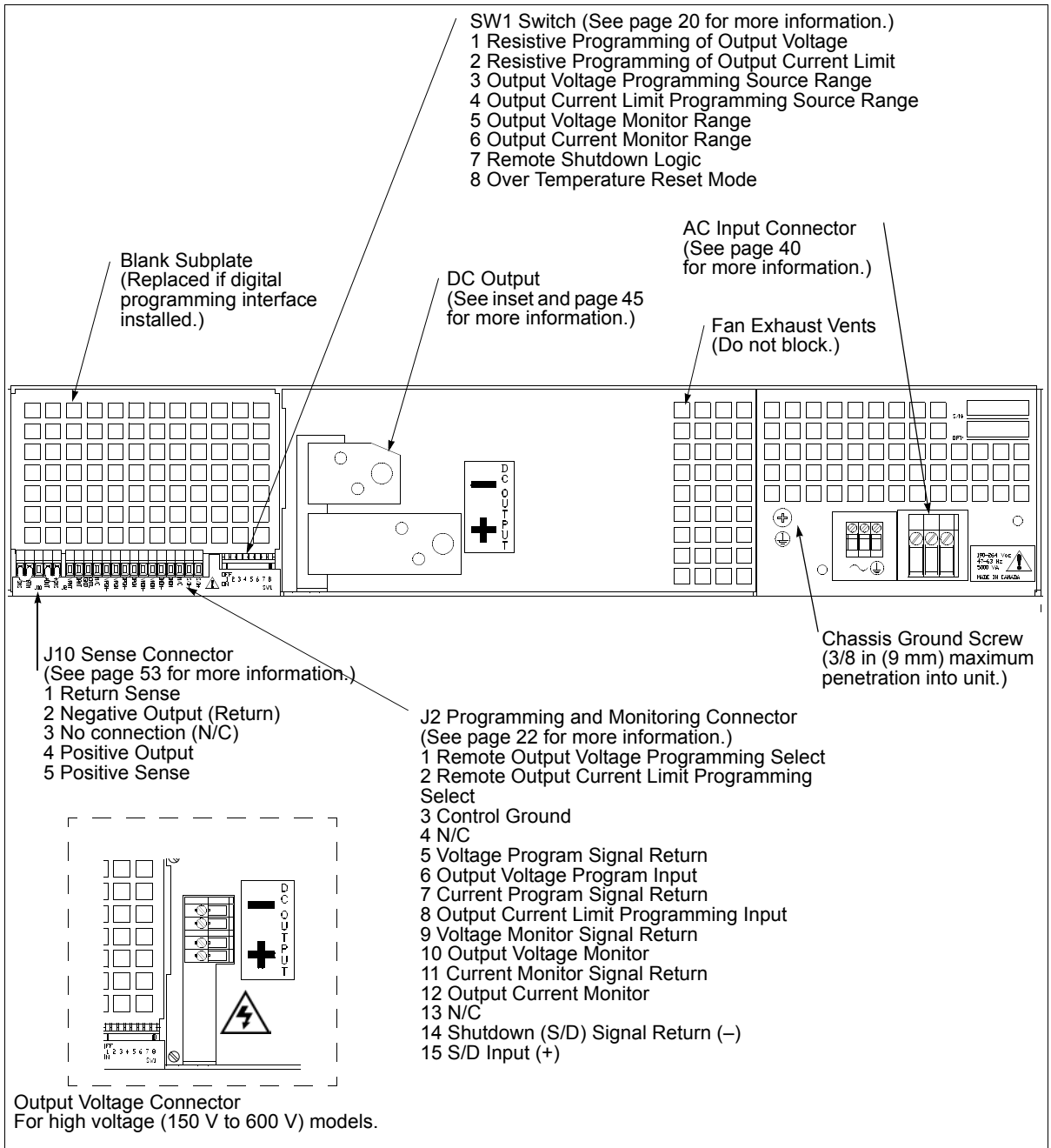


Figure 1.2 Power Supply Rear Panel
(Low voltage (7.5 V to 100 V) model shown.)

Features and Specifications

Rear Panel Connectors and Switch

Rear Panel SW1 Switch The SW1 Programming, Monitoring, and Shutdown Select switch is an 8-position piano DIP switch located on the power supply's rear panel. See Figure . The SW1 switch enables you to choose:

- Resistive programming of output voltage or current limit
- Output voltage and current limit programming scales
- Output voltage and current monitor scales
- Remote shutdown circuit logic
- Over temperature shutdown mode

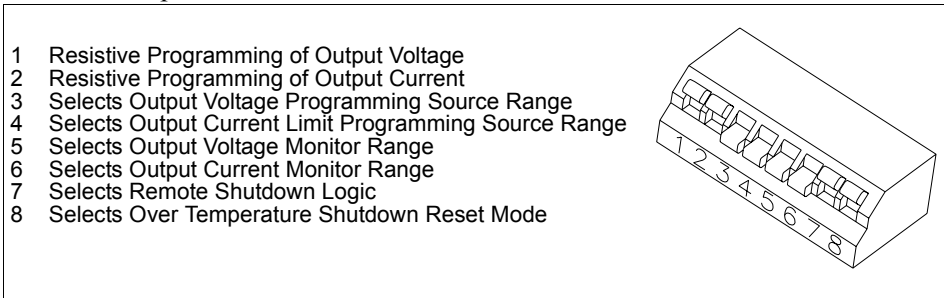


Figure 1.3 Programming and Monitoring SW1 Switch
(Switch is shown in factory default configuration.)

Table 1.2 shows the functions assigned to each SW1 switch.

Table 1.2 Rear Panel SW1 Switch Assignments

Switch	Function	Open¹	Closed
SW1-1	1 mA current source for resistive programming of output voltage	<u>Voltage source programming</u>	Resistive programming (0-5 k, 0-10 k)
SW1-2	1 mA current source for resistive programming of output current limit	<u>Voltage source programming</u>	Resistive programming (0-5 k, 0-10 k)
SW1-3	Output voltage programming source range select	0-5 V (0-5 k)	<u>0-10 V</u> (0-10 k)
SW1-4	Output current limit programming source range select	0-5 V (0-5 k)	<u>0-10 V</u> (0-10 k)
SW1-5	Output voltage monitor range select	0-5 V	<u>0-10 V</u>
SW1-6	Output current monitor range select	0-5 V	<u>0-10 V</u>
SW1-7	Remote shutdown logic select	<u>HIGH=OFF</u>	HIGH=ON
SW1-8	Over temperature shutdown reset mode select	<u>Auto reset</u>	Latch OFF

1. Factory defaults underlined.

Resetting the Switches Before making any changes to the switch settings, disable the power supply output by pushing the front panel STANDBY switch to its IN position. This temporarily shuts down the power supply. The front panel S/D LED turns on. Then, use any small, flat-bladed screwdriver to change the switch settings.

Any of the eight switches on SW1 is OFF when it has been flipped up to break contact, ON when flipped down to close contact.

Features and Specifications

Rear Panel Connectors and Switch

Rear Panel J2 Connector The J2 Programming and Monitoring connector is a 15-terminal wire clamp connector located on the power supply's rear panel. See Figure 1.4. The J2 connector provides access to the following functions:

- Remote programming of output voltage AND/OR current limit
- Remote monitoring of calibrated readback signals for output voltage and output current
- Remote control of the shutdown function using a 2.5 V to 15 V signal

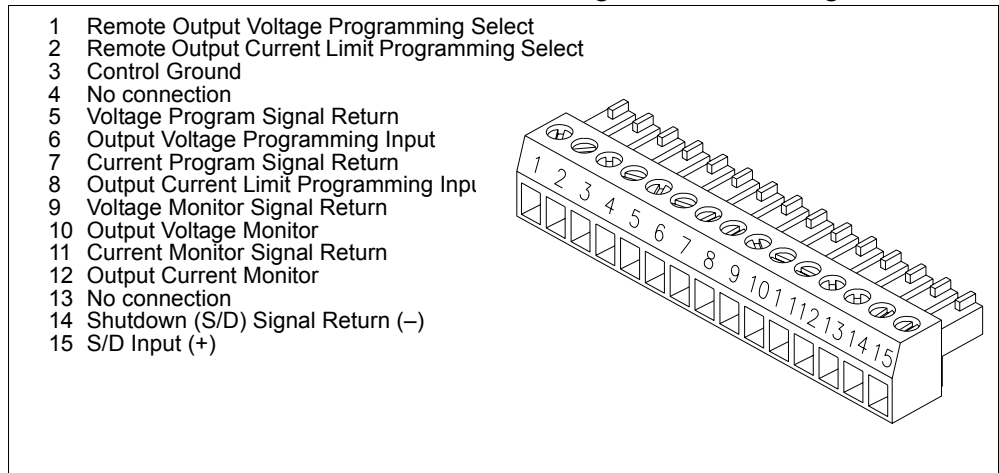


Figure 1.4 Programming and Monitoring J2 Connector

See Table 1.3 for the list of the J2 connector terminal numbers, their references, and corresponding functions.

Table 1.3 Rear Panel J2 Connector Terminals and Functions

Connector	Reference	Name	Function
J2-1	VRMT	Remote Output Voltage Programming Select	Selects remote output voltage programming when jumpered to pin 3.
J2-2	IRMT	Remote Output Current Limit Programming Select	Selects remote output current limit programming when jumpered to pin 3.
J2-3	CNTL GND	Control Ground	Control ground.
J2-4	N/C	No connection	None.
J2-5	VPGM–	Voltage Program Signal Return	Return for voltage program signal.
J2-6	VPGM	Output Voltage Programming Input	Input for voltage programming signals from an analog device.
J2-7	IPGM–	Current Program Signal Return	Return for current program signal.
J2-8	IPGM	Output Current Limit Programming Input	Input for current limit programming signals from an analog device.
J2-9	VMON–	Voltage Monitor Signal Return	Return for voltage monitor signal.
J2-10	VMON	Output Voltage Monitor	Output for output voltage monitor signal.
J2-11	IMON–	Current Monitor Signal Return	Return for current monitor signal.
J2-12	IMON	Output Current Monitor	Output for output current monitor signal.
J2-13	N/C	No connection	None.
J2-14	S/D–	Shutdown Signal Return (–)	Return for shutdown signal.
J2-15	S/D	S/D Input (+)	Input for shutdown signal.

Features and Specifications

Rear Panel Connectors and Switch

Making J2 Connections

**CAUTION**

Do not attempt to bias program/monitor signal return (J2 terminals 5, 7, 9, and 11) relative to the supply output because control ground (J2-3) and the program/monitor signal returns are at the same potential as the power supply return in a standard unit. Use the Isolated Programming (ISOL) Interface option to allow control from a programming source at a different potential relative to the supply's output.

**CAUTION**

To maintain the isolation of the power supply output and prevent ground loops, use an isolated (ungrounded) programming source when operating the power supply via remote analog control at the J2 connector.

Make connections to the J2 connector using its screw-type wire clamps. Before making any connections, turn the power supply OFF and wait until the front panel displays have gone out. You can unplug the connector from the back of the unit in order to make it easier to install the required wiring.

Wiring

**WARNING**

There is a potential shock hazard when using a power supply with a rated output greater than 40 V. Use wiring with a minimum insulation rating equivalent to the maximum output voltage of the power supply. For example, select TEW-105, 105 °C, 600 V wiring for use with a 600 V, 4 A model power supply.

For most connectors and jumpers, use any suitable wire such as 16 to 24 AWG stranded wire. For lowest noise performance, use shielded pair wiring. Strip wires 0.26 in. (6.5 mm), insert, and tighten the wire clamp.

Specifications

Electrical Specifications These specifications are warranted over a temperature range of 0 °C to 50 °C.
Nominal ambient temperature assumed is 25 °C.

Nominal line voltage is 208 Vac, 60 Hz.

See Table 1.4 and Table 1.5 for maximum values for model-dependent specifications.

Specifications are subject to change without notice.

Features and Specifications

Specifications

Table 1.4 Specifications for 7.5 V to 40 V Models

Models	7.5-300	12-220	20-130	33-85	40-70
Output Ratings:					
Output Voltage ¹	0-7.5 V	0-12 V	0-20 V	0-33 V	0-40 V
Output Current ²	0-300 A	0-220 A	0-130 A	0-85 A	0-70 A
Output Power	2250 W	2640 W	2600 W	2805 W	2800 W
Line Regulation: ³					
Voltage (0.01% of Vmax + 2 mV)	2.75 mV	3.2 mV	4 mV	5.3 mV	6 mV
Current (0.01% of Imax + 2 mA)	32 mA	24 mA	15 mA	10.5 mA	9 mA
Load Regulation: ⁴					
Voltage (0.02% of Vmax + 5 mV)	6.5 mV	7.4 mV	9 mV	11.6 mV	13 mV
Current (0.02% of Imax + 5 mA)	65 mA	49 mA	31 mA	22 mA	19 mA
Meter Accuracy:					
Voltage (1% of Vmax + 1 count)	0.09 V	0.13 V	0.3 V	0.43 V	0.5 V
Current (1% of Imax + 1 count)	4 A	2.3 A	1.4 A	0.95 A	0.8 A
Output Noise (0-20 MHz): Voltage (p-p)	100 mV	100 mV	100 mV	100 mV	150 mV
Output Ripple (rms):					
Voltage	10 mV	10 mV	10 mV	15 mV	15 mV
Current ⁵	1600 mA	1200 mA	400 mA	300 mA	200 mA
Drift (30 minutes): ⁶					
Voltage (0.07% of Vmax)	3.75 mV	6 mV	10 mV	16.5 mV	20 mV
Current (0.7% of Imax)	2100 mA	1540 mA	910 mA	595 mA	490 mA
For Resistive Programming:					
Voltage (0.6% of Vmax)	45 mV	72 mV	120 mV	198 mV	240 mV
Current (0.6% of Imax)	1800 mA	1320 mA	780 mA	510 mA	420 mA
Drift (8 hours): ⁷					
Voltage (0.05% of Vmax)	3.75 mV	6 mV	10 mV	16.5 mV	20 mV
Current (0.05% of Imax)	150 mA	110 mA	65 mA	42.5 mA	35 mA
For Resistive Programming:					
Voltage (0.3% of Vmax)	22.5 mV	36 mV	60 mV	99 mV	120 mV
Current (0.3% of Imax)	900 mA	660 mA	390 mA	255 mA	210 mA
Temperature Coefficient: ⁸					
Voltage (0.02% of Vmax/°C)	1.5 mV	2.4 mV	4 mV	6.6 mV	8 mV
Current (0.03% of Imax/°C)	90 mA	66 mA	39 mA	25.5 mA	21 mA
For Resistive Programming:					
Voltage (0.06% of Vmax/°C)	4.5 mV	7.2 mV	12 mV	19.8 mV	24 mV
Current (0.06% of Imax/°C)	180 mA	132 mA	78 mA	51 mA	42 mA
OVP Adjustment Range: (5% to 110% of Vmax)					
	0.375-8.25 V	0.6-13.2 V	1-22 V	1.65-36.3 V	2-44 V
Efficiency: ⁹					
	0.80	0.82	0.85	0.85	0.87

1. Minimum output voltage is <math><0.15\%</math> of rated voltage at zero output setting.
2. Minimum output current is <math><0.5\%</math> of rated current at zero output setting when measured at minimum 10% of full power load.
3. For input voltage variation over the AC input voltage range, with constant rated load.
4. For 0-100% load variation, with constant nominal line voltage.
5. Current mode noise is measured from 10% to 100% of rated output voltage, full current.
6. Maximum drift over 30 minutes with constant line, load, and temperature, after power on.
7. Maximum drift over 8 hours with constant line, load, and temperature, after 30-minute warm-up.
8. Change in output per $^{\circ}\text{C}$ change in ambient temperature, with constant line and load.
9. Typical efficiency at nominal input voltage and full output power.

Features and Specifications

Specifications

Table 1.5 Specifications for 60 V to 600 V Models

Models	60-46	100-28	150-18	300-9	600-4
Output Ratings:					
Output Voltage ¹	0-60 V	0-100 V	0-150 V	0-300 V	0-600 V
Output Current ²	0-46 A	0-28 A	0-18 A	0-9 A	0-4 A
Output Power	2760 W	2800 W	2700 W	2700 W	2400 W
Line Regulation: ³					
Voltage (0.01% of Vmax + 2 mV)	8 mV	12 mV	17 mV	32 mV	62 mV
Current (0.01% of Imax + 2 mA)	6.6 mA	4.8 mA	3.8 mA	2.9 mA	2.4 mA
Load Regulation: ⁴					
Voltage (0.02% of Vmax + 5 mV)	17 mV	27 mV	35 mV	65 mV	125 mV
Current (0.02% of Imax + 5 mA)	14.2 mA	10.6 mA	8.6 mA	6.8 mA	5.8 mA
Meter Accuracy:					
Voltage (1% of Vmax + 1 count)	0.7 V	1.1 V	1.6 V	4 V	7 V
Current (1% of Imax + 1 count)	0.56 A	0.38 A	0.19 A	0.1 A	0.05 A
Output Noise (0-20 MHz): Voltage (p-p)	150 mV	175 mV	200 mV	400 mV	500 mV
Output Ripple (rms):					
Voltage	15 mV	25 mV	25 mV	40 mV	100 mV
Current ⁵	100 mA	80 mA	40 mA	20 mA	10 mA
Drift (30 minutes): ⁶					
Voltage (0.05% of Vmax)	30 mV	50 mV	75 mV	150 mV	300 mV
Current (0.7% of Imax)	322 mA	196 mA	126 mA	63 mA	28 mA
For Resistive Programming:					
Voltage (0.6% of Vmax)	360 mV	600 mV	900 mV	1800 mV	3600 mV
Current (0.6% of Imax)	276 mA	168 mA	108 mA	54 mA	24 mA
Drift (8 hours): ⁷					
Voltage (0.05% of Vmax)	30 mV	50 mV	75 mV	150 mV	300 mV
Current (0.05% of Imax)	23 mA	14 mA	9 mA	4.5 mA	2 mA
For Resistive Programming:					
Voltage (0.3% of Vmax)	180 mV	300 mV	450 mV	900 mV	1800 mV
Current (0.3% of Imax)	138 mA	84 mA	54 mA	27 mA	12 mA
Temperature Coefficient: ⁸					
Voltage (0.02% of Vmax/°C)	12 mV	20 mV	30 mV	60 mV	120 mV
Current (0.03% of Imax/°C)	13.8 mA	8.4 mA	5.4 mA	2.7 mA	1.2 mA
For Resistive Programming:					
Voltage (0.06% of Vmax/°C)	36 mV	60 mV	90 mV	180 mV	360 mV
Current (0.06% of Imax/°C)	28 mA	16.8 mA	10.8 mA	5.4 mA	2.4 mA
OVP Adjustment Range:					
(5% to 110% of Vmax)	3-66 V	5-110 V	7.5-165 V	15-330 V	30-660 V
Efficiency: ⁹	0.90	0.90	0.90	0.91	0.91

1. Minimum output voltage is <math><0.15\%</math> of rated voltage at zero output setting.
2. Minimum output current is <math><0.5\%</math> of rated current at zero output setting when measured at minimum 10% of full power load.
3. For input voltage variation over the AC input voltage range, with constant rated load.
4. For 0-100% load variation, with constant nominal line voltage.
5. Current mode noise is measured from 10% to 100% of rated output voltage, full current.
6. Maximum drift over 30 minutes with constant line, load, and temperature, after power on.
7. Maximum drift over 8 hours with constant line, load, and temperature, after 30-minute warm-up.
8. Change in output per $^{\circ}\text{C}$ change in ambient temperature, with constant line and load.
9. Typical efficiency at nominal input voltage and full output power.

Features and Specifications

Specifications

Additional Specifications

Rise Time (No Load, Full Load): ¹	7.5 V to 60 V models: 100 ms; 100 V to 600 V models: 170 ms
Fall Time (No Load): ¹	4 s
Fall Time (Full Load): ¹	7.5 V to 60 V models: 100 ms; 100 V to 600 V models: 170 ms
Voltage Mode Transient Response: ²	<3 ms
Time Delay from power on until output stable	7 s maximum

1. Measured with stepped 0-10 V analog programming source and a resistive load.
2. Time for the output voltage to recover within 0.5% of its rated value after a step change in load current of 10% to 90% of rated output with an output setpoint between 50-100% of rated value. Load slew rate <6 A/ms.

Input Conditions

Rated AC Input Voltage	200/208/220/230/240 Vac (nominal)
Maximum AC Input Power	5000 VA
Operational AC Input Voltage	190-264 Vac, 1 ϕ (24.3 A maximum at 208 Vac; 22.4 A maximum at 230 Vac.) Auto range select function.
Input Frequency Range	47-63 Hz
Power Factor	0.65 typical

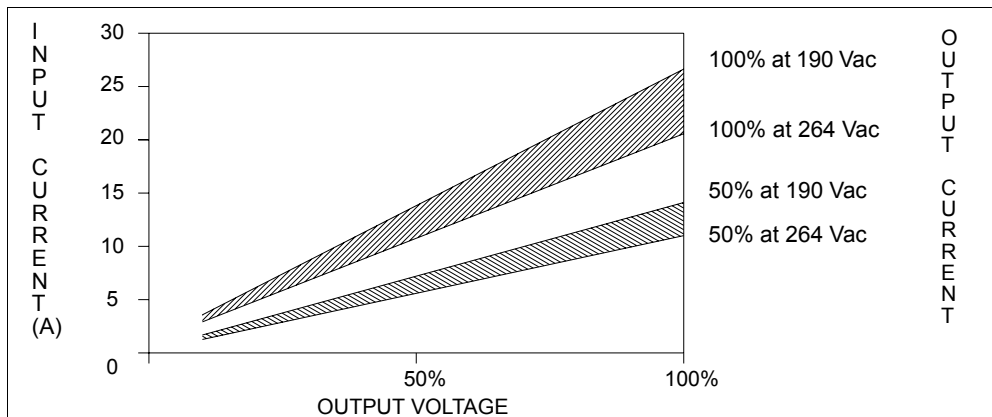


Figure 1.5 Typical Input Current Characteristics
(Based on 100 V, 28 A model.)

Additional Features

Switching Frequency	nominal 31 kHz (62 kHz output ripple).
Output Hold-up Time	Greater than 10 ms with interruption of AC line, for nominal AC input and full load.
Maximum Voltage Differential from either output to safety ground	±600 Vdc
Insulation Resistance	Input to chassis: >30 MΩ, with 500 Vdc; Output to chassis: >20 MΩ, with 1000 Vdc.
Isolation Voltage	Input to output: 1350 Vac

Remote Programming and Monitoring

Remote Start/Stop and Interlock	2.5-15 V signal or TTL-compatible input, selectable logic. TTL input impedance: 2 k (in series with one diode drop).
Remote Analog Programming (Full Scale Input)	Voltage and current programming inputs (source must be isolated): 0-5 k, 0-10 k resistances; 0-5 V, 0-10 V (default) voltage sources. Input impedance (V and I): approximately 100 k.
Remote Monitoring	Output voltage and current: 0-5 V, 0-10 V (default); Output impedance (V and I): approximately 221 Ω. Output short circuit current: approximately 50 mA.
Remote Programming and Monitoring Accuracy	1% zero to full scale output for the default range.
Maximum Remote Sense Line Drop Compensation	5 V/line (Line drop is subtracted from total voltage available at supply output.)
Optional Isolated Program and Readback (V&I)	0-5 V (ISOL interface); input impedance: 200 k; output impedance: 221 Ω.
Optional Digital Control	RS-232, GPIB interfaces

Features and Specifications

Specifications

Environmental Specifications

Operating Temperature Range	0 °C to 50 °C.
Storage Temperature Range	-20 °C to +70 °C
Humidity Range	up to 90% RH non-condensing
Operating Altitude	Up to 6,500 feet (2000 m)
Storage Altitude	Up to 50,000 feet (15 000 m)
Installation Category	II
Pollution Degree	2

Mechanical Specifications

Front Panel V and I Control	10-turn voltage and current potentiometers
Front Panel Voltage Control Resolution	0.02% of maximum voltage
Front Panel Voltage and Current Meters	3.5-digit green numeric LED displays. For accuracy specifications, see Table 1.4 and Table 1.5.
AC Input Connector Type	3-terminal 34 A, 250 V, right angle, PC mount, wire clamp connector with removable strain relief cover
Input Fuses ¹	1 A, 250 V, 5 x 20 mm slow fuse (T), location: F34; 1.5 A, 250 V, 5 x 20 mm time delay (T), location: F33; 20 A, 250 Vac, 5 x 20 mm fast high interrupt (F), location: F36; 30 A, 300 Vac, 10.3 x 41.3 mm medium time lag (T), locations: F2, F3.
Output Connector	7.5 V to 100 V models: nickel-plated copper bus bars with removable bus bar shield; bus bar holes: 0.343 in. (8.7 mm) diameter (D) (1), 0.197 in. (5.0 mm) D (2); 150 V to 600 V models: 4-terminal, right angle, PC mount, wire clamp connector with removable strain relief cover.
Sense Connector	5-terminal wire clamp connector (2 piece)
Analog Programming Connector	15-terminal wire clamp connector (2 piece)
Chassis Ground	One chassis ground screw located on rear panel for bonding connections or for wire shield grounding. Maximum penetration into unit is 0.375 in. (9 mm).
Cooling	Fan cooled. Air exhausts to rear. Over temperature shutdown: automatic restart or latch off (switch-selectable).
Mounting	Rack mount brackets. Mount at front panel.
Weight	Approximately 33lb. (15 kg)
Approvals	CE-marked units are approved to IEC 1010-1 safety standard and EN50081-2 and EN50082-2 EMC standards, and are CSA certified to C22.2 No. 1010.1. CE-marked units are also approved to U.S. requirements of NRTL/C and are UL listed to UL3111-1, 1st edition, (up to 40 °C). Additional standards met: FCC, part 15, class A EMI standard.

1. Fuses are located on the A4 PCB (printed circuit board). The fuses are NOT operator-replaceable.

Features and Specifications

Specifications

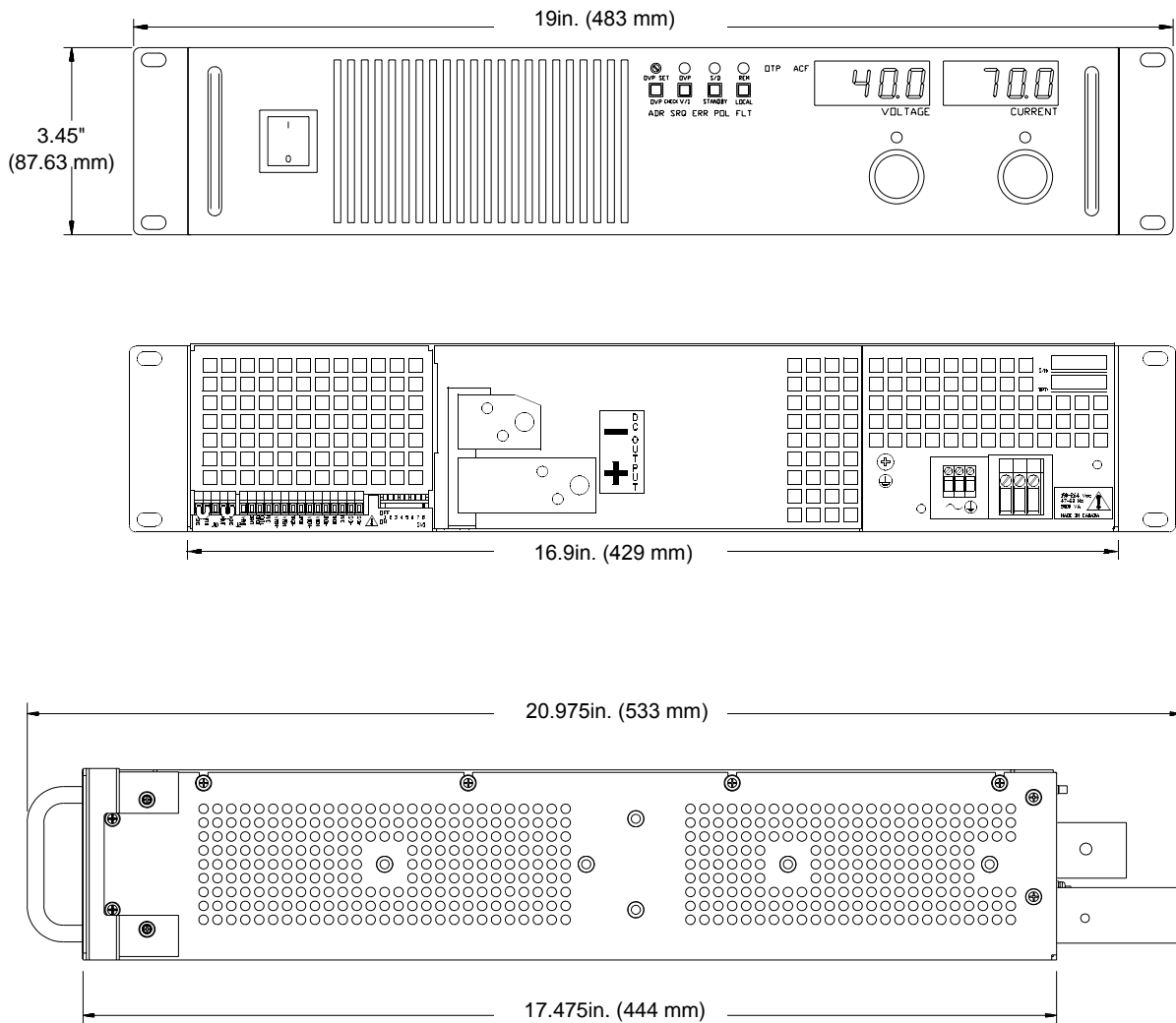


Figure 1.6 Dimensional Drawings
(Dimensions given are nominal.)

Section 2. Installation

Introduction

This section provides recommendations and procedures for inspecting, installing, and testing the power supply.

Basic Setup Procedure

See Table 2.1 for a summary of the basic setup procedure and an overall view of the subsections in Section 2. Use the procedure as a quick reference if you are familiar with the installation requirements for the power supply. If you want more information, each step in the procedure refers to subsequent sections which contain more details. Execute each step in the sequence given.

Table 2.1 Basic Setup Procedure

Step #	Description	Action	Reference
1	Inspection	Perform an initial physical inspection of the supply.	“Inspection, Cleaning, and Packaging” on page 36
2	Installation	Install the supply (bench or rack mount), ensuring adequate ventilation.	“Location, Mounting, and Ventilation” on page 39
3	Input Power	Connect AC input power.	“AC Input Power” on page 40
4	Test	Perform functional tests for voltage mode operation, current mode operation, and front panel controls.	“Functional Tests” on page 43
5	Load	Connect the load.	“Load Connection” on page 45
6	Sensing	Connect sensing lines.	“Local and Remote Sensing” on page 53

See Section 3. Local Operation for instructions about front panel operation, OVP, OTP, shutdown, and using multiple supplies. You will find remote programming and monitoring described in Section 4. Remote Operation.

Installation

Inspection, Cleaning, and Packaging

Inspection, Cleaning, and Packaging

Initial Inspection

When you first receive your unit:

1. Inspect the unit for scratches and cracks, and for broken switches, connectors, and displays.
2. Ensure that the packing box contains the AC input cover and strain relief kit (see Figure 2.2).
3. Have the service technician check the printed circuit board and its components if you suspect internal damage.

If the unit is damaged, save all packing materials and notify the carrier immediately. See packing instructions on page 38.

Periodic Cleaning

No routine servicing of the power supply is required except for periodic cleaning. Whenever a unit is removed from operation, clean metal surfaces with naphtha or an equivalent solvent and the front panel with a weak solution of soap and water. Use low-pressure compressed air to blow dust from in and around components on the printed circuit boards.

Returning Power Supplies to the Manufacturer

Return Material Authorization Policy Before returning a product directly to Xantrex you must obtain a Return Material Authorization (RMA) number and the correct factory “Ship To” address. Products must also be shipped prepaid. Product shipments will be refused and returned at your expense if they are unauthorized, returned without an RMA number clearly marked on the outside of the shipping box, if they are shipped collect, or if they are shipped to the wrong location.

When you contact Xantrex to obtain service, please have your operating manual ready for reference and be prepared to supply:

- The serial number of your product
- Information about the installation and use of the unit
- Information about the failure and/or reason for the return
- A copy of your dated proof of purchase

When you ship:

1. Package the unit safely following the procedures on page 38, preferably using the original box and packing materials. Please ensure that your product is shipped fully insured in the original packaging or equivalent. This warranty will not apply where the product is damaged due to improper packaging.
2. Include the following:
 - The RMA number supplied by Xantrex Technology Inc clearly marked on the outside of the box.
 - A return address where the unit can be shipped. Post office boxes are not acceptable.
 - A contact telephone number where you can be reached during work hours
 - A brief description of the problem

Ship the unit prepaid to the address provided by your Xantrex customer service representative.

If you are returning a product from outside of the USA or Canada:

In addition to the above, you **MUST** include return freight funds and are fully responsible for all documents, duties, tariffs, and deposits.

If you are returning a product to a Xantrex Authorized Service Center (ASC):

A Xantrex return material authorization (RMA) number is not required. However, you must contact the ASC prior to returning the product or presenting the unit to verify any return procedures that may apply to that particular facility.

Installation

Returning Power Supplies to the Manufacturer

Packaging for Shipping or Storage

Follow these instructions to prepare the unit for shipping or storage.

1. When returning the unit or sending it to the service center, attach a tag to the unit stating its model number (available from the front panel label) and its serial number (available from the rear panel label). Give the date of purchase and an invoice number, if you have it, as well as a brief description of the problem.
2. For storage or shipping, repack the power supply in its original container. If the original container is not available, seal the unit in a plastic bag and then pack it in a 200 lb. (90 kg) test, corrugated cardboard carton large enough to allow 2 inches (5 cm) of cushioning material to surround the unit. Use a material such as foam slabs or chips.
3. Label the carton as shown in Figure 2.1.
4. If shipping, mark the address of the service center and your return address on the carton.
5. If storing, stack no more than eight cartons high. Check the storage temperature range and storage altitude specification in “Environmental Specifications” on page 32.

POWER SUPPLY
Model Number: _____
Serial Number: _____
FRAGILE — ELECTRONIC EQUIPMENT

Figure 2.1 Shipping or Storage Carton Label

Location, Mounting, and Ventilation

Use the power supply in rack-mounted or benchtop applications.

Rack Mounting



WARNING

Ensure that any mounting screws do not penetrate more than 1/8 in. (3.0 mm) into the sides of the unit.

The power supply is designed to fit in a standard 19 in. (483 mm) equipment rack. To install:

1. Use the rack mount brackets at either side of the front panel to install the power supply in a rack.
2. Provide adequate support for the rear of the unit without obstructing the ventilation inlets on the sides of the unit. Use a support bar at the rear of the unit. Follow the manufacturer's instructions to install the support bar.

To install the power supply with rack mount slides, use a commercially-available slide kit. Follow the manufacturer's instructions to install the slides. Add a 1/8 in. (3.0 mm) spacer between the chassis and the slides.

Ventilation Whether you place the power supply in a rack or on a bench, allow cooling air to reach the ventilation inlets on the sides of the unit and allow 4 in. (10 cm) of unrestricted air space at the rear of the unit for the fan exhaust. Any ventilation space at the top and bottom of the supply will further lower internal operating temperatures.

Check page 32 for the operating ambient temperature range and the operating altitude specification.

AC Input Power



WARNING

There is a potential shock hazard if the power supply chassis and cover are not connected to an electrical ground via the safety ground in the AC input connector. Ensure that the power supply is connected to a grounded AC outlet with the recommended AC input connector configured for the available line voltage as described in this section.



WARNING

Disconnect AC power from the unit before removing the cover. Even with the front panel power switch in the OFF position, live line voltages are exposed when the cover is removed. Repairs must be made by experienced service technicians only.



CAUTION

When power switch is turned on, output voltage or current previously set will be applied to loads.

AC Input Connector and Voltage Selection

The AC input connector is a 3-terminal wire clamp located on the power supply's rear panel. See Figure 2.2 AC Input Cover and Strain Relief. See Table 2.2 for the input voltage ranges and frequency required to operate the power supply.

Table 2.2 Operation AC Input Voltage Range and Frequency

AC Voltage Range	Frequency
190-264 Vac 1 ϕ (24.3 A maximum at 208 Vac; 22.4 A maximum at 230 Vac)	47-63 Hz

AC Fail LED The AC Fail (ACF) LED turns on when the input voltage is outside of the range specified for the power supply. The LED turns off when the input voltage is within the range.

AC Input



WARNING

The AC input cord is the disconnect device for the power supply. The plug must be readily identifiable by and accessible to the operator. The input cord must be no longer than 9.84 feet (3 m).

Cord The AC input cord we recommend is specified in Table 2.3, “AC Wire Specification”. Add a non-locking plug suitable for use in the country in which you are operating. If you require a special cord, call us.

Table 2.3 AC Wire Specification

Wire Size	Ratings	Cable Outside Diameter
3 x 12 AWG stranded copper	60 °C minimum, 300 V	0.545-0.708 in. (13.63-17.7 mm)

AC Input Wire Connection



WARNING

Ensure that the chassis ground screw does not penetrate more than 3/8 in. (9 mm) into the rear panel of the unit.

1. Strip the outside insulation on the AC cable approximately 4 in. (10 cm). Trim the wires so that the ground wire is 0.5 in. (12 mm) longer than the other wires. Strip 0.55 in. (14 mm) at the end of each of the wires. See Figure 2.2 detail (top).
2. Unscrew the base of the strain relief from the helix-shaped body. Insert the base through the outside opening in the AC input cover and, from the inside, screw the locknut securely onto the base.
3. Slide the helix-shaped body onto the AC cable. Insert the stripped wires through the strain relief base until the outer cable jacket is flush with the edge of the base. Tighten the body to the base while holding the cable in place. The cable is now securely fastened inside the strain relief.
4. Route the AC wires to the input connector terminals as required. For input connector terminal locations, see lower inset in Figure 2.2. To connect the wiring, loosen the terminal screw, insert the stripped wire into the terminal, and tighten the screw securely.
5. Route the wires inside the cover to prevent pinching. Fasten the AC input cover to the unit using the (6-32 x 1 1/4 in. (2)) screws, flat washers, and lock washers provided. See Figure 2.2.

Installation

AC Input Power

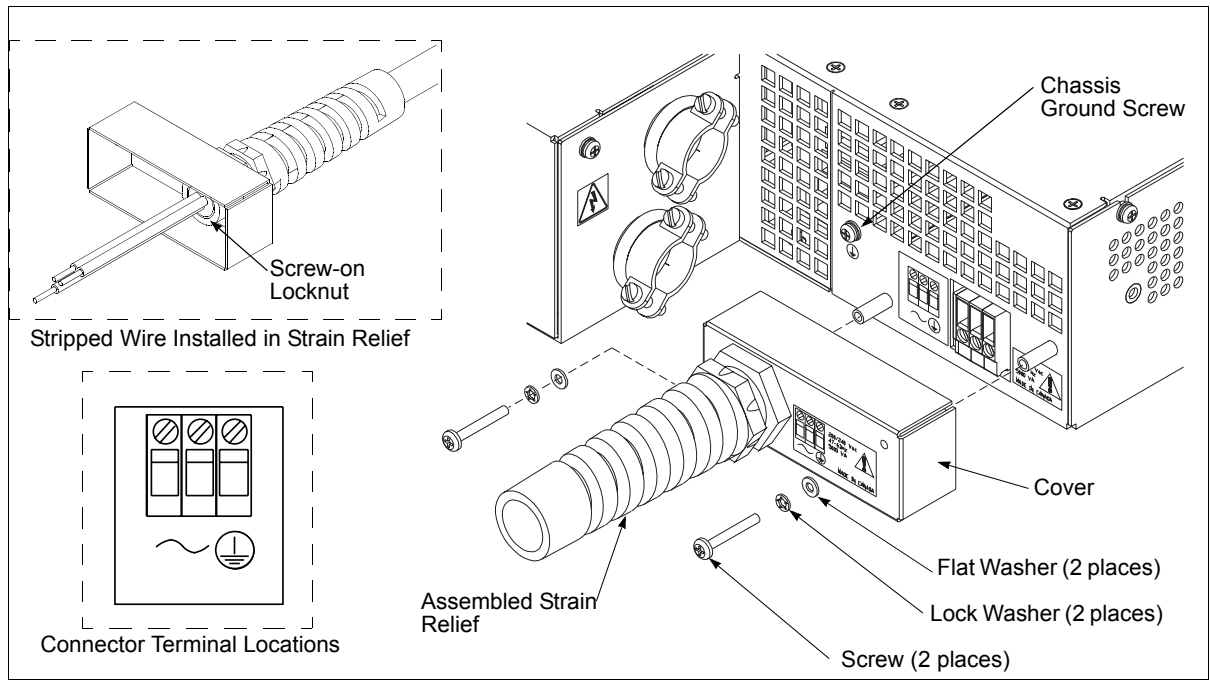


Figure 2.2 AC Input Cover and Strain Relief

Functional Tests

These functional test procedures include power-on and front panel function checks as well as voltage and current mode operation checks. Refer to front and rear panel diagrams in “Front Panel Controls” on page 17 and “Rear Panel Connectors and Switch” on page 18.

- Equipment Required**
- Digital voltmeter (DVM) rated better than 0.5% accuracy.
 - DC shunt 1 mV/A ($\pm 0.25\%$) with connecting wire. The recommended current ratings for the DC shunt and the wire must be at least 10% more than the output current of the power supply.

- Power-on Check**
1. Ensure that the AC power switch is in the OFF position.
 2. Ensure that the output sense lines are connected in the default configuration. (The local sense lines are connected between terminals 1 and 2 and between terminals 4 and 5 on the J10 sense connector as shown on the rear panel diagram in Figure .)
 3. Turn the voltage and current controls fully counter-clockwise.
 4. Connect the unit to an AC outlet.
 5. Turn the front panel AC power switch to ON.

After a short, power-on delay, the front panel digital meters light up and the green voltage mode LED turns on. Both voltmeter and ammeter displays read zero.

- Voltage Mode Operation Check**
1. Ensure the voltage and current controls on the front panel are turned fully counter-clockwise.
 2. Connect a DVM to the output terminals on the rear panel, observing correct polarity.
 3. Turn the current control a 1/2-turn clockwise. Slowly turn the voltage control clockwise and observe both the front panel voltmeter and the DVM.
 4. Compare the DVM reading with the front panel voltmeter reading to verify the accuracy of the internal voltmeter. Both readings should be the same. The minimum control range is from zero to the maximum rated output for the power supply model. The voltage mode LED turns on.
 5. Turn the front panel AC power switch to OFF.

Installation

Functional Tests

Current Mode Operation Check

1. Ensure the front panel AC power switch is set to OFF.
2. Turn the voltage and current controls on the front panel fully counter-clockwise.
3. Connect the DC shunt across the output terminals on the rear panel.
4. Connect the DVM across the DC shunt.
5. Turn the AC power switch to ON.
6. Turn the voltage control 1 or 2 turns clockwise.
7. Turn the current control slowly clockwise.
8. Compare the DVM reading with the front panel ammeter reading using $I=V/R$ where I is the current, V is the DVM reading, and R is the DC shunt resistance. The minimum control range is from zero to the maximum rated output for the power supply model. The current mode LED turns on.
9. Turn the AC power switch to OFF.
10. Disconnect the DVM and the shunt.

Front Panel Function Checks

1. Turn the front panel AC switch to ON.
2. Set voltage and current controls fully clockwise. Push the STANDBY switch to its IN position and check that the voltmeter reading falls to zero and the red S/D (Shutdown) LED turns on. Push the STANDBY switch once again to reset it to its OUT position. The S/D LED turns off and the voltmeter reading returns to its previous value.
3. Press the STANDBY switch to its IN position.
4. Press the OVP CHECK switch and check that the voltmeter displays approximately the model-rated output voltage plus 10%.
5. Turn the OVP SET potentiometer counter-clockwise and check that the voltmeter reading decreases. Continued turning (up to 20 turns) will see the reading decrease to approximately 5% of the model-rated voltage output. Turn the OVP SET potentiometer clockwise until the voltmeter once again displays approximately the model-rated output voltage plus 10%.
6. Press the STANDBY switch to its OUT position.
7. Press the V/I CHECK switch and check that the voltmeter and ammeter display the power supply output ratings.
8. Turn the front panel AC power switch to OFF.

Note: You can use the front panel LOCAL button only when a digital programming interface has been installed in your power supply

Load Connection

This section provides recommendations for load wires and how to connect them for both single and multiple load configurations.

Load Wiring



WARNING

Ensure that the chassis ground screw does not penetrate more than 3/8 in. (9 mm) into the rear panel of the unit.

When connecting load wiring to the power supply, consider the following factors:

- insulation rating of the wire
- current carrying capacity of the wire
- maximum load wiring length for operation with sense lines
- noise and impedance effects of the load lines

Insulation Rating Use load wiring with a minimum insulation rating equivalent to the maximum output voltage of the power supply. For example, select TEW-105, 105 °C, 600 V wiring for use with a 600 V, 4 A model power supply

Current Carrying Capacity As a minimum, load wiring must have a current capacity greater than the output current rating of the power supply. This ensures that the wiring will not be damaged even if the load is shorted. Table 2.4 shows the maximum current rating, based on 450 A/cm², for various gauges of wire rated for 105 °C operation. Operating at the maximum current rating results in an approximately 30 °C temperature rise for a wire operating in free air. Where load wiring must operate in areas with elevated ambient temperatures or bundled with other wiring, use larger gauges or wiring rated for higher temperatures.

Table 2.4 Current Carrying Capacity for Load Wiring

Wire Size (AWG)	Maximum Current (A)	Wire Size (AWG)	Maximum Current (A)
20	2.5	6	61
18	4	4	97
16	6	2	155
14	10	1	192
12	16	1/0	247
10	21	2/0	303
8	36		

Installation

Load Connection

Load Wiring Length for Operation with Sense Lines For applications using remote sensing, you must limit the voltage drop across each load wire. Figure 2.3 shows some maximum allowable wire lengths for a given load current and wire size. We recommend that you use the larger load wiring to ensure a smaller voltage drop (1 V typical maximum), although units will compensate for up to 5 V drop in each line. See also “Local and Remote Sensing” on page 53.

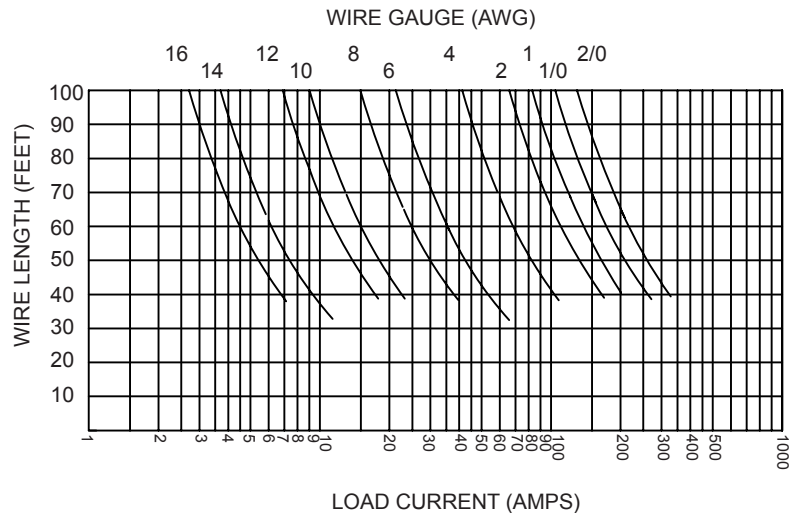


Figure 2.3 Maximum Load Wire Length for 1 V Line Drop

Noise and Impedance Effects To minimize noise pickup or radiation, use shielded pair wiring of the shortest possible length for load wires. Connect the shield to the chassis via a rear panel mounting screw. Where shielding is impossible or impractical, simply twisting the wires together will offer some noise immunity. When using local sense connections, use the largest practical wire size to minimize the effects of load line impedance on the regulation of the supply.

Making Load Connections



CAUTION

When making connections to the bus bars, ensure that each terminal's mounting hardware and wiring assembly are placed to avoid touching the other terminal and shorting the power supply output. Heavy connecting cables must have some form of strain relief to avoid loosening the connections or bending the bus bars.

Make load connections at the rear of the power supply at the positive and negative output bus bars or to the 4-terminal wire clamp connector, depending on the model.

Output Cover The power supply comes with a bus bar cover and strain relief. See Figure 2.4. This cover is also installed on models fitted with the high voltage output connector.

To detach the 2-part cover:

1. Undo 6-32 x 5/16 in. Phillips pan head screws, 6 x 0.288 in. lock washers, and 6 x 5/16 in. flat washers (3 places) from the top cover.
2. Pull up on the top cover to remove it.
3. Undo 6-32 x 1/4 in. Keps nuts and 6 x 5/16 in. flat washers from the chassis-mounted PEM studs (3 places) to remove the chassis cover.

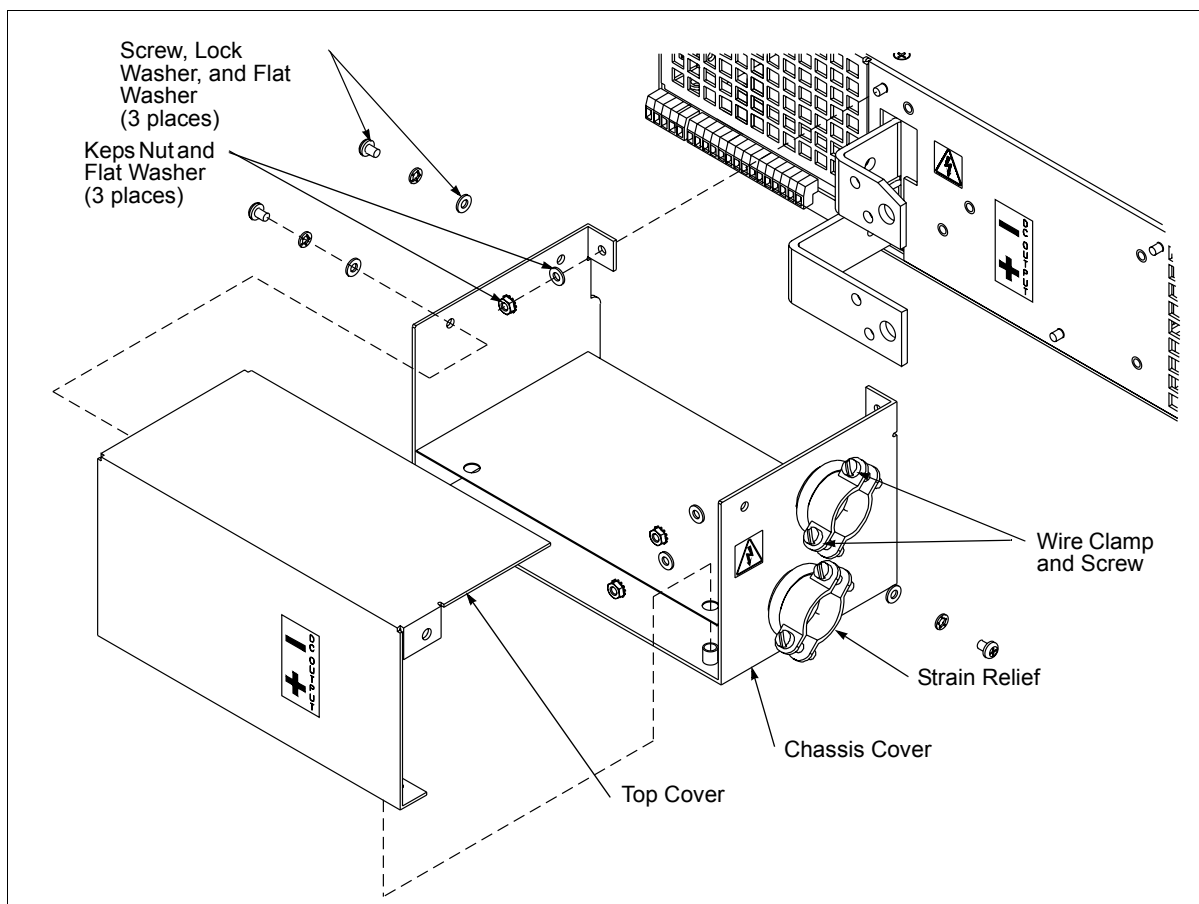


Figure 2.4 Output Strain Relief and Cover

Installation

Load Connection

7.5 V to 100 V Models The 7.5 V to 100 V models are equipped with output bus bars. To make a typical load connection to a 7.5 V, 300 A power supply:

1. Strip the ends of the wires.
2. Remove the top part of the output cover. Do not remove the chassis-mounted part of the cover.
3. Loosen wire clamp screws (part of strain relief). Do not disassemble the strain relief.
4. Insert load wire in strain relief.
5. Install connectors to load wiring.
6. Fasten connectors to bus bars with 5/16 in. x 5/8 in. (M8 x 16 mm) screws, 5/16 in. (M8) flat washers, lock washers, and hex nuts as shown in Figure 2.5.
7. Tighten the strain relief clamp.
8. Replace the top cover.

Note: Bus bar hole sizes are one of 0.343 in. (8.7 mm) D; two of 0.197 in. (5.0 mm) D.

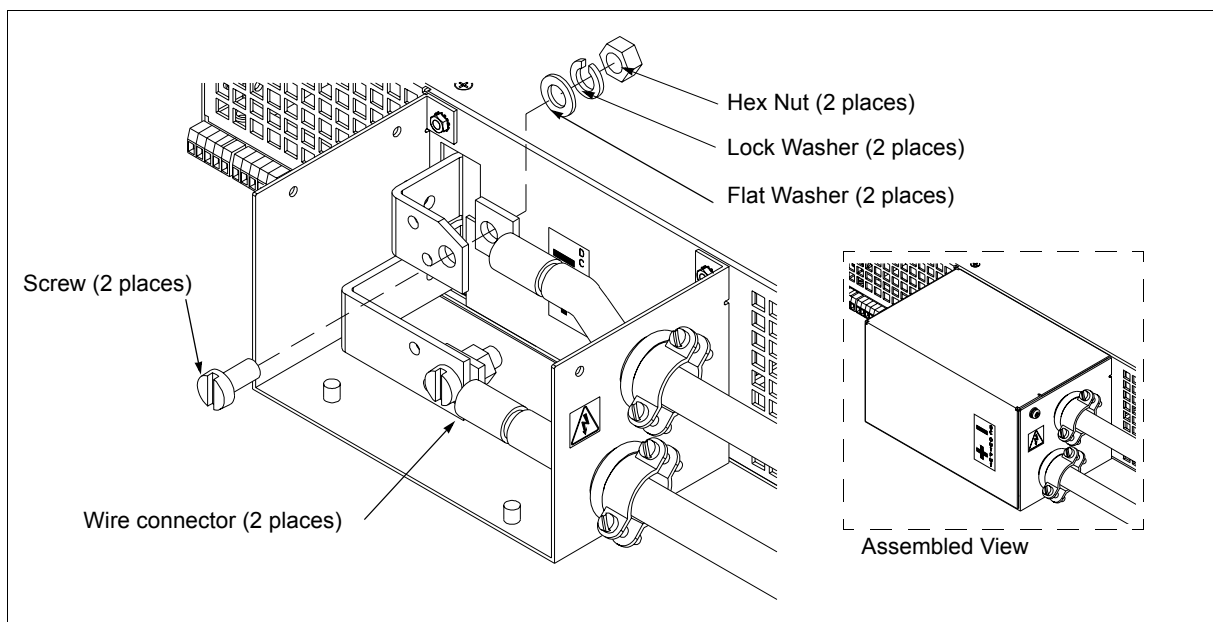


Figure 2.5 Typical Load Connection Hardware
(For 7.5 V to 100 V models.)

150 V to 600 V Models



WARNING

To protect personnel against accidental contact with hazardous voltages, ensure that the load, including connections, has no live parts which are accessible. Also ensure that the insulation rating of the load wiring and circuitry is greater than or equal to the maximum output voltage of the power supply.

The 150 V to 600 V models have a 4-terminal, wire clamp output connector. See Figure 2.6 for a labelled drawing of the wire clamp connector. To prepare and connect the load wiring:

1. Strip 0.4 in. (10 mm) at the ends of the wires.
2. Remove the top part of the output cover. Do not remove the chassis-mounted part of the cover.
3. Loosen wire clamp screws (part of strain relief). Do not disassemble the strain relief.
4. Insert load wire in strain relief.
5. To connect the wiring, loosen each terminal screw, insert a stripped wire into the terminal, and tighten the screw securely.
6. Tighten the strain relief clamp.
7. Replace the top cover.

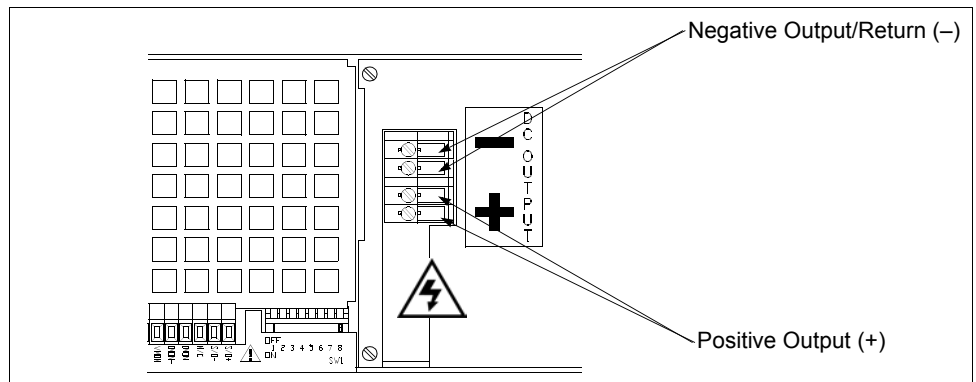


Figure 2.6 Output Voltage Connector
(For 150 V to 600 V models.)

Installation

Load Connection

Inductive Loads To prevent damage to the power supply from inductive kickback, connect a diode across the output. The diode must be rated at greater than or equal to the supply's output voltage and have a current surge rating greater than or equal to the supply's output rating. Connect the cathode to the positive output and the anode to the negative output/return.

Where positive load transients such as back EMF from a motor may occur, connect a transorb or a varistor across the output to protect the power supply. The breakdown voltage rating for the transorb or varistor must be approximately 10% higher than the rated supply output.

Connecting Single Loads Figure 2.7 and Figure 2.8 show recommended load and sensing connections for single loads. Local sense lines shown are default connections at the rear panel J10 sense connector as identified on Figure 1.2, on page 19.

You do not need remote sensing for basic operation of your supply. However, if you wish to correct any small drops in your load lines, then use the remote sensing feature. See “Local and Remote Sensing” on page 53 for more information.

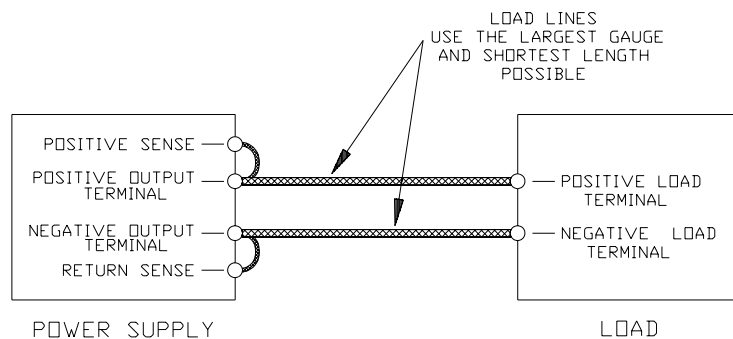


Figure 2.7 Single Load with Local Sensing (Default)

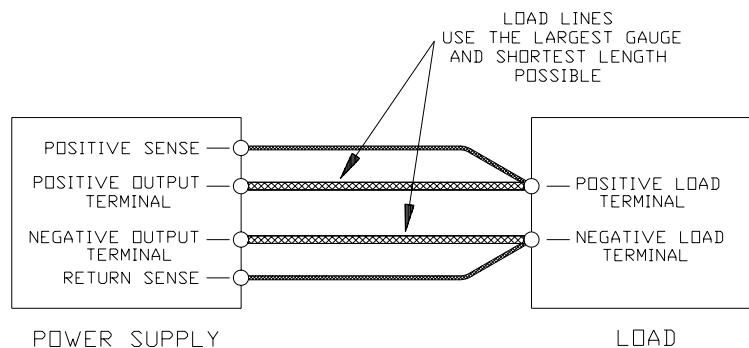


Figure 2.8 Single Load with Remote Sensing

Connecting Multiple Loads

Proper connection of distributed loads is an important aspect of power supply use. Two common methods of connection are the parallel power distribution method and the radial power distribution method.

Parallel Power Distribution This distribution method involves connecting leads from the power supply to one load, from that load to the next load, and so on for each load in the system. This method results in the voltage at each load depending on the current drawn by the other loads and allows DC ground loops to develop. Except for low current applications, we do not recommend using this method.

Radial Power Distribution Method To connect distributed loads, we recommend that you use radial power distribution. With this method, you connect power to each load individually from a single pair of terminals designated as the positive and negative distribution terminals. These terminals may be the power supply output terminals, the terminals of one of the loads, or a distinct set of terminals especially established for distribution use. Connect the sense leads to these terminals to compensate for losses and to minimize the effect of one load upon another.

Figure 2.9 and Figure 2.10 show recommended load and sensing connections for multiple loads. Local sense lines shown are default J10 sense connections. See “Local and Remote Sensing” on page 53 for more information about using remote sensing and grounding the sense line shield.

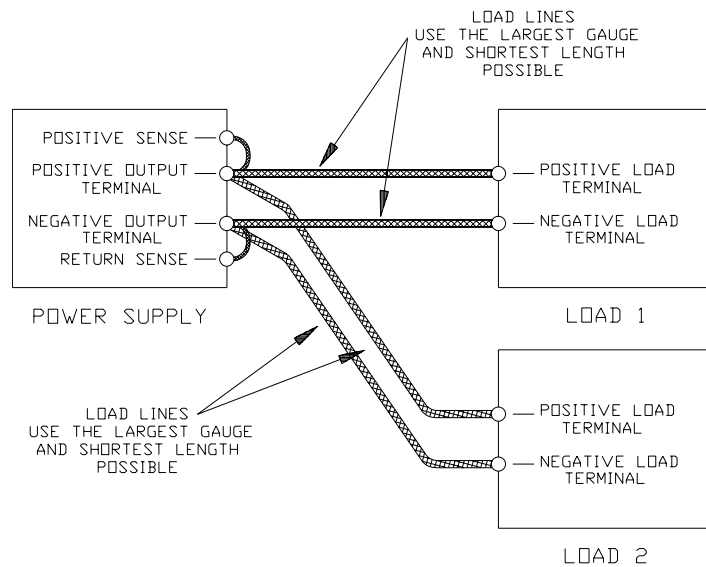


Figure 2.9 Multiple Loads with Local Sensing

Installation

Load Connection

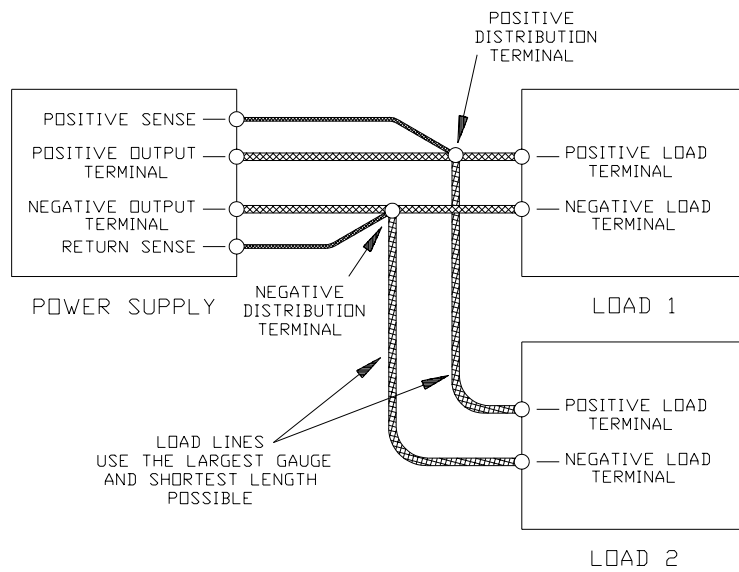


Figure 2.10 Multiple Loads with Remote Sensing

Local and Remote Sensing

Use connections at the rear panel J10 sense connector to configure the power supply for local or remote sensing of output voltage. See Figure 2.11 for a drawing of the sense connector.

Sense Wiring

**WARNING**

There is a potential shock hazard at the sense connector when using a power supply with a rated output greater than 40 V. Select wiring with a minimum insulation rating equivalent to the maximum output voltage of the power supply for use as local sense jumpers or for remote sense wires. For example, select TEW-105, 105 °C, 600 V wiring for use with a model 600 V, 4 A power supply. Ensure that connections at the load end are shielded to prevent contact with hazardous voltages.

For lowest noise performance, use shielded pair wiring of 16 to 24 AWG for remote sense lines. Strip wires 0.26 in. (6.5 mm) and insert securely as with any wire clamp connector.

Local Sensing

We ship the power supply with the rear panel J10 sense connector jumpered for local sensing of the output voltage. See Table 2.5 for the list of connector functions and a description of local sense connections. With local sensing, the output voltage is regulated at the output terminals (or bus bars). This method does not compensate for voltage losses in the load lines, so it is recommended only for low current applications or applications for which precise load regulation is not essential.

Note: When using local sense connections, use the largest practical load wire size to minimize the effects of line impedance on the regulation of the supply.

Installation

Local and Remote Sensing

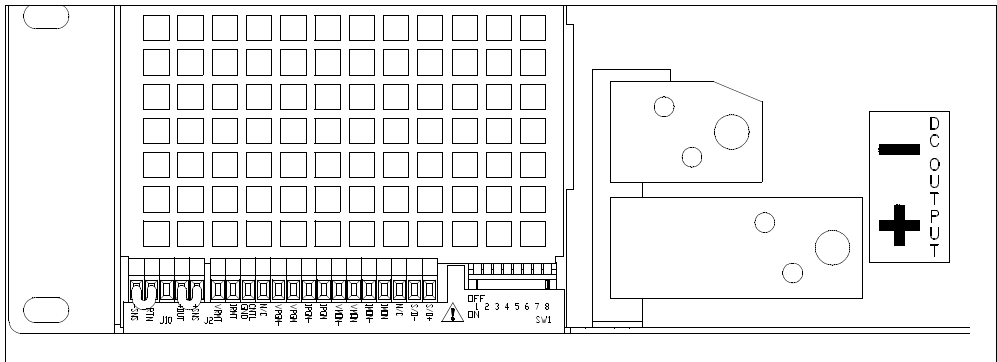


Figure 2.11 J10 Sense Connector
(Shown with local sense jumpers connected.)

Table 2.5 Rear Panel J10 Sense Connector Terminals and Functions

Terminal	Name	Function
J10-1	Return Sense (-SNS)	Remote negative sense connection. Default connection to terminal 2.
J10-2	Negative Output (Return or RTN)	Connected internally to negative bus bar.
J10-3	N/C	No connection.
J10-4	Positive Output (+OUT)	Connected internally to positive bus bar.
J10-5	Positive Sense (+SNS)	Remote positive sense connection. Default connection to terminal 4.

Using Remote Sensing



WARNING

There is a potential shock hazard at the sense points when using a power supply with a rated output greater than 40 V. Ensure that connections at the load end are shielded to prevent contact with hazardous voltages.



WARNING

Ensure that the chassis ground screw does not penetrate more than 3/8 in. (9 mm) into the rear panel of the unit.



CAUTION

Ground the sense line shield in one place only. Locations include: the power supply's return output connection at the load, the power supply's return output at its negative output terminal, or the power supply's chassis.



CAUTION

Do not use remote sensing with multiple supplies connected in series.

Use remote sensing during voltage mode operation to shift the power supply's regulation point from its default position at the rear panel output terminals to the load or distribution terminals by using a separate pair of wires to allow the control circuitry to monitor the load voltage. This allows the power supply to compensate for voltage losses in the load lines which will otherwise degrade the regulation of the supply. Line drop is subtracted from the voltage available at the power supply's output.

To connect remote sense lines:

1. Turn OFF the power supply.
2. Remove the local sense jumpers connecting J10 mating connector terminal 5 (positive sense) to terminal 4 (positive output) and terminal 1 (return sense) to terminal 2 (power supply return).
3. Connect the positive remote sense lead to J10 mating connector terminal 5 (positive sense) and the negative lead to terminal 1 (return sense). Ensure that the mating connector is plugged securely into the rear panel sense connector. Connect the other ends of the sense wires to the corresponding sense points at the load.

Installation

Local and Remote Sensing

4. To prevent ground loops, ground the sense line shield, at one point only, to the power supply's return output connection at the load, to the power supply's return output at its negative output terminal, or to the power supply's chassis.
5. Turn the power supply ON.

Notes:

1. If you operate the power supply with remote sense lines connected to the load and with either of the positive or negative load lines not connected, the power supply shutdown circuit will activate, causing the output voltage and current to fall to zero.
2. If you operate the power supply without remote sense lines or local sense jumpers in place, the supply will continue to work, but supply regulation will be degraded and/or erratic, or, the OVP circuit may activate.

Figure 2.12 shows a sample setup for using remote sensing.

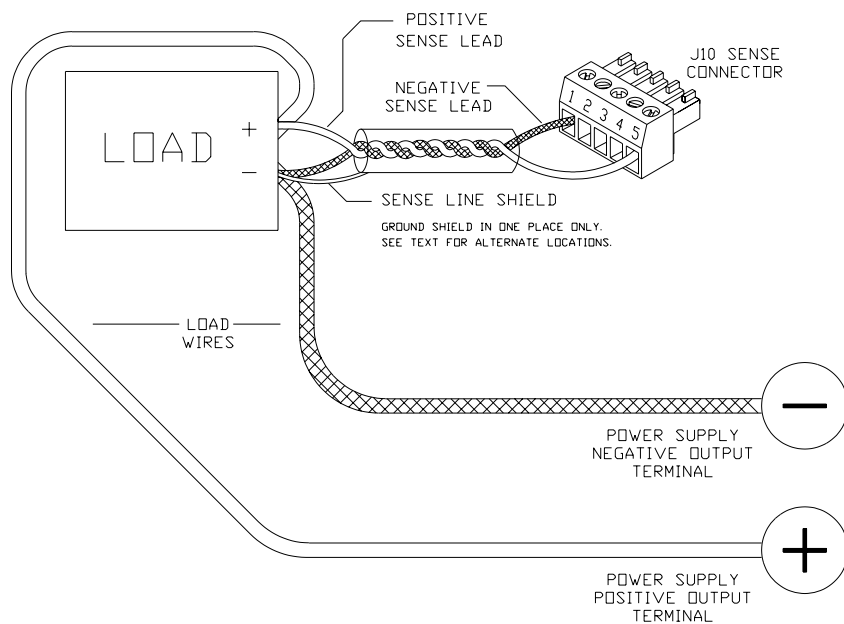


Figure 2.12 Connecting Remote Sense Lines

Section 3. Local Operation

Introduction

Once you have installed the power supply and have connected both the AC input power and the load as covered in Section 2. Installation, the power supply is ready to operate in local control mode (that is, operation at the unit's front panel).

- See “Standard Operation” on page 57 for a brief explanation of Constant Voltage and Constant Current Mode operation and see page 61 to page 70 for more about power supply functions such as over voltage protection, shutdown function, over temperature protection, and using multiple supplies.
- See “User Diagnostics” on page 71 for troubleshooting information for the operator.
- Turn to Section 4. Remote Operation for descriptions of remote programming options and remote monitoring of the power supply.

Standard Operation

This power supply has two basic operating modes: Constant Voltage Mode and Constant Current Mode, and two control modes: Local Control Mode (default setting) and Remote Programming Mode. Both operating modes are available regardless of which control mode is used.

Operating Modes and Automatic Crossover

Whether controlled by local or remote programming, the power supply has two basic operating modes: Constant Voltage Mode and Constant Current Mode. The mode in which the power supply operates at any given time depends on the combination of:

- output voltage setting V_{SET}
- output current limit setting I_{SET}
- resistance of the attached load R_L

See Figure 3.1 for a graphical representation of the relationships between these variables.

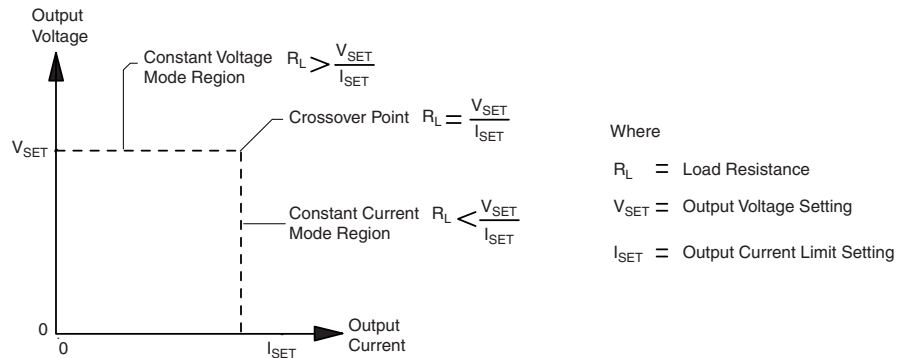


Figure 3.1 Operating Modes

Constant Voltage Mode Operation The power supply will operate in constant voltage mode whenever the load current I_L is **less than** the current limit setting I_{SET} , or: $I_L < I_{SET}$ (Note: $I_L = V_{SET} / R_L$)

In constant voltage mode, the power supply maintains the output voltage at the selected value (V_{SET}) while the load current I_L varies with the load requirements.

Constant Current Mode Operation The power supply will operate in constant current mode whenever the load resistance is low enough that the load current I_L is **equal to** the current limit setting I_{SET} (Note: $V_L = I_{SET} R_L$)

In constant current mode, the power supply maintains the output current at the selected value (I_{SET}) while the load voltage varies with the load requirements.

Automatic Mode Crossover This feature allows the power supply to automatically switch operating modes in response to changing load requirements. If, for instance, the power supply was operating in Constant Voltage Mode ($I_L < I_{SET}$), and the load changed so that the load current (I_L) became **equal to** the current limit setting (I_{SET}), the power supply would automatically switch into Constant Current Mode and the output voltage would vary in response to changes in load current. If the additional load was subsequently removed so that the load current was again **less than** the current limit setting, the supply would automatically return to Constant Voltage Mode.

Shipped Configuration (Local Control Mode)

The factory ships units already configured for local control (front panel) operation. See Table 3.1 for a summary of this configuration. See Figure 1.1 and Figure for front and rear panel diagrams.

Table 3.1 Shipped Configuration (Local Control Mode)

Local Control Configuration	Additional References
Use the front panel controls to adjust the output voltage and current limit settings. (Note: Use the LOCAL button only when you have a digital programming interface installed.)	See Section 3 for front panel operation. See Section 4 for remote analog programming procedure(s).
The supply's sense point is at the rear panel J10 sense connector terminals.	See "Local and Remote Sensing" on page 53 for how to change from local to remote sensing.
The OVP set point is adjusted at the front panel to approximately 110% of rated output voltage.	See "Using Over Voltage Protection (OVP)" on page 61 for the adjustment procedure.
The over temperature shutdown function automatically resets when activated as determined by the position of rear panel switch SW1-8. A latch off setting is also available.	See "Over Temperature Protection (OTP)" on page 70 for more information about switch SW1-8 settings.

Local Operation
Standard Operation

**Setting
Output
Voltage and
Current Limit**

Install the power supply and connect the load as described in Section 2. Installation. Ensure that the power supply is set up for local control as described in “Shipped Configuration (Local Control Mode)” on page 59. Then, set the output voltage and current limit at the front panel with the following procedure.

1. Turn both the voltage and current controls fully counter-clockwise.
2. Turn the AC power ON.
3. Press the STANDBY switch to its IN position to disable the power supply output. The red Shutdown (S/D) LED turns on.
4. Press and hold the V/I CHECK button to display the voltage and current control settings on the voltmeter and ammeter displays.
5. Adjust the voltage control to the desired voltage (the compliance voltage for applications using current mode operation).
6. Adjust the current control to the desired current limit setting.
7. Release the V/I CHECK button.
8. Press the STANDBY switch to its OUT position to apply power to the load. The S/D LED turns off.

Note: The control circuits have been designed to allow you to set output voltage and current up to 5% over the model-rated maximum values. The power supply will operate within these extended ranges, but we cannot guarantee full performance to specification.

Using Over Voltage Protection (OVP)

The OVP circuit protects the load in the event of a remote programming error, an incorrect voltage control adjustment, or a power supply failure. The protection circuit monitors the output voltage at the output of the power supply and will shut down the main power converter whenever a preset voltage limit is exceeded. Set the preset voltage limit (also called the set point or trip level) using the screwdriver-adjustable, front panel OVP potentiometer, or via one of the optional GPIB or RS-232 programming interfaces.

Notes:

1. The default preset limit is approximately 110% of the rated output voltage.
2. When using OVP with remote sensing lines connected, compensate for the voltage line drop across the output return line by measuring or calculating the line drop, then adding this value to the desired OVP setpoint.

Front Panel OVP Operation

In local control mode, check the OVP set point at any time by pressing the OVP CHECK switch. The OVP set point is the value displayed on the digital voltmeter.

To set the trip level from the front panel:

1. Disconnect any loads. Turn the power supply ON.
2. Adjust the power supply output voltage to any voltage lower than the desired trip level.
3. Press the front panel STANDBY (output shutdown) switch to its IN position. The red S/D LED turns on.
4. Press the OVP CHECK switch to see the OVP set point on the voltmeter display.
5. Holding down the OVP CHECK switch, turn the OVP SET potentiometer until the desired set point is reached. Release the OVP CHECK switch.
6. Press the STANDBY switch to its OUT position. The S/D LED turns off.
7. To check that the power supply shuts off at the desired set point, slowly increase the output voltage while monitoring the front panel voltmeter. The OVP LED on the front panel turns on when the OVP circuit activates.

Local Operation

Using Over Voltage Protection (OVP)

Resetting the OVP Circuit

To reset the OVP circuit after it activates:

1. Reduce the power supply's output voltage setting to below the OVP set point.
2. Press the STANDBY switch IN. The red S/D LED on the front panel turns on. The OVP LED turns off.
3. Press the STANDBY switch again to return power to the load and resume normal operation.

OR

1. Reduce the power supply's output voltage setting to below the OVP set point.
2. Turn the power supply OFF using the AC power switch, wait until the front panel displays go out, then turn the power supply back ON again.

Using the Shutdown Function

Use the Shutdown function to disable or enable the supply's output so that you can make adjustments to either the load or the power supply without shutting off the power supply. Activate this function from the front panel at any time by using the STANDBY switch. You can also activate it via remote control through the rear panel J2 Programming and Monitoring connector, using a 2.5 V to 15 V signal or a transistor-transistor logic (TTL) compatible signal. The input lines for the Shutdown circuit are optically isolated.

STANDBY Switch The STANDBY switch is a press ON/press OFF switch located on the power supply's front panel. See the front panel diagram in "Front Panel Controls" on page 17. Push the switch to its IN position to activate the Shutdown circuit. The output voltage and current fall to zero and the red S/D (Shutdown) LED turns on. Push the switch once more to reset it to its OUT position and resume normal power supply operation.

Controlling the Shutdown Function via the J2 Connector The shutdown circuit accepts a 2.5 V to 15 V signal to disable or enable the power supply output. Make connections for signals at connector J2, located on the unit's rear panel. Set rear panel switch SW1-7 to select signal logic. See "Front Panel Controls" on page 17 for more information about making J2 connector and SW1 switch changes.

To activate the shutdown function:

1. Turn OFF the power supply.
2. Connect the signal source to J2 connector terminal 15 (Shutdown Input/positive) and terminal 14 (Shutdown Return).
3. Set switch SW1-7 to select the desired circuit logic as set out in Table 3.2.
4. Turn on the power supply. The power supply will operate as described in the **Supply Output** column in Table 3.2, according to the logic you select and the level of the input signal. The S/D (Shutdown) LED on the front panel turns on when the Shutdown circuit is activated.

Local Operation

Using the Shutdown Function

Table 3.2 Switch Settings for Shutdown Circuit Logic

Switch SW1-7 Setting	Source Signal	Signal Level	Supply Output	S/D LED
OFF (OPEN) (Active low, default)	2-15 V	HIGH	OFF	ON
	0-0.4 V	LOW	ON	OFF
ON (CLOSED) (Active high)	2-15 V	HIGH	ON	OFF
	0-0.4 V	LOW	OFF	ON

Notes:

1. If switch SW1-7 is ON but there is no signal applied, the S/D LED turns on and the power supply will not provide an output until the HIGH signal level is applied.
2. Any of the eight switches on SW1 is OFF (OPEN) when it has been flipped up to break contact, ON (CLOSED) when flipped down to close contact.

Using Multiple Supplies



WARNING

There is a shock hazard at the load when using a power supply with a rated *or combined* output greater than 40 V. To protect personnel against accidental contact with hazardous voltages created by series connection, ensure that the load, including connections, has no live parts which are accessible. Also ensure that the insulation rating of the load wiring and circuitry is greater than or equal to the maximum *or combined* output voltage of the power supply.



CAUTION

Do not connect power supplies from different manufacturers in parallel or in series.



CAUTION

The remote programming inputs are internally referenced to the supply's negative output. Do not connect remote programming ground lines (J2 terminals 3, 5, and 7) to the supply's positive output.

You can operate power supplies of the SAME MODEL with outputs in series or in parallel to obtain increased load voltage or increased current. Split supply operation gives you two positive outputs or a positive and a negative output.

Note: If your application requires the use of isolated programming inputs, contact the manufacturer about the optional ISOL Interface.

Configuring Multiple Supplies for Series Operation



CAUTION

Do not use remote sensing during series operation.



CAUTION

The maximum allowable sum of the output voltages is 600 Vdc.

Use series operation to obtain a single higher voltage output using two or more supplies. Connect the negative (–) output terminal of one supply to the positive (+) output terminal of the next supply. See Figure 3.2. The total voltage available is the

Local Operation

Using Multiple Supplies

sum of the maximum voltages of each supply (add voltmeter readings, to a maximum of 600 V). The maximum allowable current for a series string of power supplies is the output current of a single supply in the string.

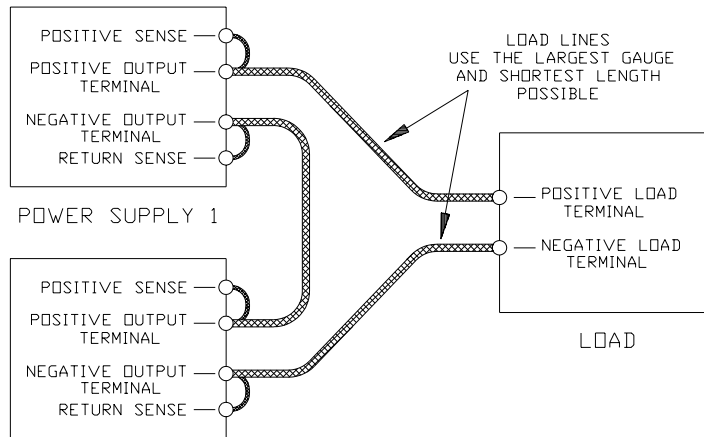


Figure 3.2 Series Operation of Multiple Supplies

Configuring Multiple Supplies for Parallel Operation

Use parallel operation to obtain a higher current through a single output using two or more supplies. Set all of the OVP setpoints to maximum. (See “Using Over Voltage Protection (OVP)” on page 61.) Set all of the outputs to the same voltage before connecting the positive (+) output terminals and negative (–) output terminals in parallel. See Figure 3.3. The total current available is the sum of the maximum currents of each supply.

When operating multiple supplies in parallel, the operating mode of each supply depends on the load current being drawn. For example, with two 40 V, 70 A power supplies operating in parallel with a 100 A load, one supply operates in constant current mode supplying 70 A and the other supply operates in voltage mode supplying the remaining 30 A. The level of current sharing between units depends on how accurately the output voltages are matched.

Note: If you do not fix the OVP setpoints at maximum, the OVP circuit may trip on one unit, reducing the current available to the load.

Sensing for Parallel Operation Use default local sensing to enhance power sharing between units, as the impedance of the load lines will tend to correct for current imbalance. If you use remote sensing at the load for better voltage regulation, one supply always operates in current limit mode and supplies most of the power.

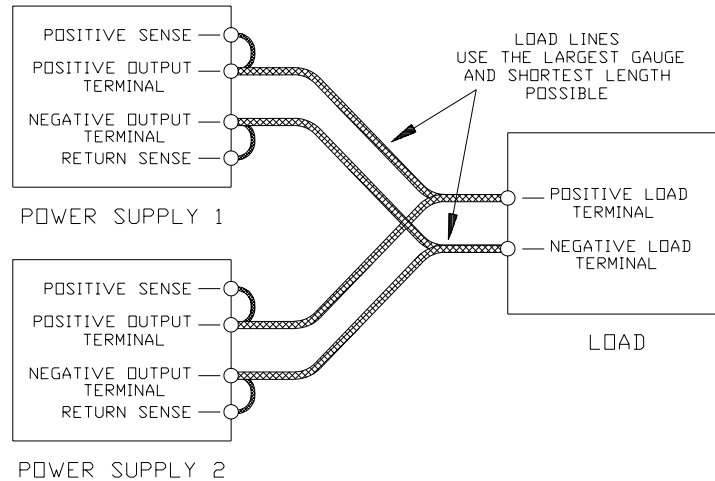


Figure 3.3 Parallel Operation of Multiple Supplies
(Local sense lines shown are default J10 connections.)

**Configuring
Multiple
Supplies for
Split Supply
Operation**

Split supply operation uses two power supplies to obtain two positive voltages with a common ground, or to obtain a positive-negative supply.

Local Operation

Using Multiple Supplies

Two Positive Voltages To obtain two positive voltages, connect the negative output terminals of both supplies together in a common connection. The positive output terminals will provide the required voltages with respect to the common connection. See Figure 3.4.

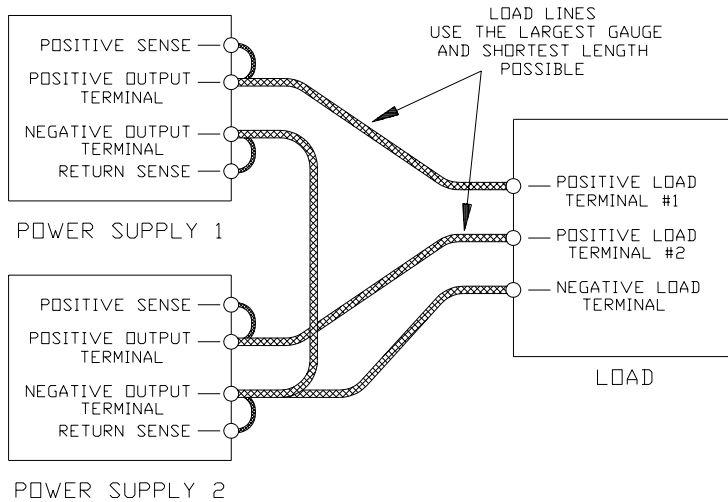


Figure 3.4 Split Supply Operation of Multiple Supplies
(Two Positive Voltages)
(Local sense lines shown are default J10 connections.)

Positive-negative Supply



CAUTION

To prevent possible damage to the supply, do not connect the remote program return line of the negative supply to the common connection.

To obtain a positive-negative supply, connect the negative output terminal of one supply to the positive output terminal of the second supply. The positive output terminal of the first supply then provides a positive voltage relative to the common connection while the negative output terminal of the second supply provides a negative voltage. You can set the current limits independently. The maximum current available in split supply operation is equal to the rated output of the supplies. For example, 70 A for two 40 V, 70 A models. See Figure 3.5.

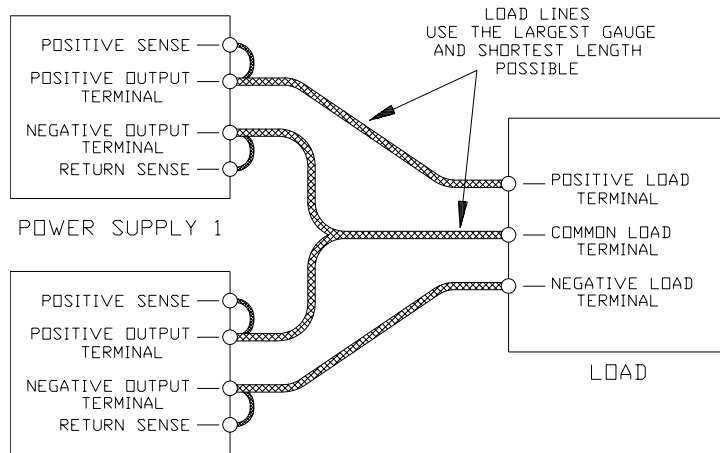


Figure 3.5 Split Supply Operation of Multiple Supplies
(Positive-negative Supply)
(Local sense lines shown are default J10 connections.)

Local Operation

Over Temperature Protection (OTP)

Over Temperature Protection (OTP)

The OTP function allows you to select how the power supply recovers from an over temperature shutdown using the rear panel switch SW1-8. See Table 3.3 for switch settings and selections. See “Rear Panel Connectors and Switch” on page 18 for more information about the switch. The OTP shutdown circuit activates before the internal components can exceed their safe internal operating temperatures. When an OTP shutdown occurs, the front panel OTP LED turns on.

Table 3.3 Switch Settings for Over Temperature Recovery Options

Switch SW1-8	OTP Shutdown Selection	Description
OFF (OPEN)	Auto Reset (Default)	The supply recovers to normal operation when the over temperature condition no longer exists.
ON (CLOSED)	Latch OFF	After an over temperature shutdown, the supply stays off until you turn the AC power switch OFF, then you turn the power supply ON to continue use.

User Diagnostics

If your power supply is not performing as described in this operating manual, run through the procedures and checks in this section before calling your service technician. These procedures are confined to operator-level functions only and do not require cover-off servicing.

- Emergency Shutdown** In an emergency, carry out both of these steps:
1. Shut the power supply OFF immediately.
 2. Disconnect the power supply from the load.

- Unusual or Erratic Operation** If the power supply displays any unusual or erratic operation, follow these steps:
1. Shut the power supply OFF immediately.
 2. Disconnect the power supply from the load.
 3. Test the power supply with no load, running the tests in Functional Tests.
 4. If the tests show that the power supply is functioning normally, check all load, programming, and monitoring connections and circuits.
 5. Check the AC input for correct voltage and frequency.

If the problem is not solved after following this procedure, or if the unit fails to operate correctly upon retesting, call your service technician.

Turn to the next page for more information about troubleshooting for operators.

- Troubleshooting for Operators** Use the checks in Table 3.4 to ensure that the power supply is configured and connected for normal operation.

Abbreviated References Used in Table

ACF	AC fail
OTP	over temperature protection
OVP	over voltage protection
REM	remote mode
S/D	shutdown

Local Operation

User Diagnostics

Table 3.4 User Diagnostics

Symptom	Check	Further Checks and Corrections
No output and the display is blank.	Is input voltage within specified range?	Connect to appropriate voltage source. See page 40.
	Power switch ON?	Turn on power.
	Internal circuit?	See your service technician.
No output but the display turns on.	OVP LED turned on?	See page 61.
	Front panel S/D LED turned on?	See page 63.
	OTP LED turned on?	See page 70.
	Current limit set to zero?	See page 57.
	Voltage control set to zero?	See page 57.
	REM LED turned on?	If using remote analog control, check your analog programming source (Section 4). If not, refer to your digital interface manual.
	Is front panel ACF LED turned on?	Connect unit to AC supply in specified range. See page 40.
Output not adjustable.	Internal circuit.	See your service technician.
	Is unit in current limit mode? (Red Current Mode LED turned on.)	Turn current knob clockwise to increase current limit. Reduce load if current is at maximum. See page 57.
	Is unit in remote mode? (Green REM LED turned on.)	If using remote analog control, check your analog programming source (Section 4). If not, refer to your digital interface manual.
Output voltage fluctuating or regulation poor.	Is unit at maximum voltage or current limit?	Reduce load for lower voltage or current requirement.
	Is unit at current limit?	Increase current limit setting or reduce load. See page 57.
	Is input voltage within specified range?	Connect to appropriate AC voltage source. See page 40.
	Are sense lines connected?	See page 45 and page 53.
	Is unit under remote analog control?	Ensure that program source is stable.
Output oscillating.	Internal circuit.	See your service technician.

Section 4. Remote Operation

Introduction

The rear panel switches and connector on the power supply allow you to program the supply with an analog device or to output readback signals. This section covers the following topics:

- See “Remote Analog Programming of Output Voltage and Current Limit” on page 74 for information about remote analog programming of output voltage and current limit with 0-5 V and 0-10 V voltage sources and 0-5 k and 0-10 k resistances.
- See “Remote Monitoring of Output Voltage and Current” on page 78 for the connector and switch settings when using calibrated readback signals for output voltage and output current with selectable 0-5 V or 0-10 V scales.

Isolated Programming The four-channel Isolated (ISOL) Programming Interface is an internal card which is ordered as an option. It allows remote programming and readback of the power supply’s output voltage and current limit with 0-5V analog signals at a different potential relative to the power supply’s output. Contact the manufacturer to order.

Remote Digital Programming You can operate the power supply from a computer if you have had the GPIB or RS-232 Interface card installed as an option. Refer to the separate interface manual for all setup and operation instructions for remote digital programming.

Remote Operation

Remote Analog Programming of Output Voltage and Current Limit

Remote Analog Programming of Output Voltage and Current Limit

Remote analog programming allows control of the power supply's output voltage and/or current limit to shift from local operation at the front panel voltage and current controls to external analog sources. As you vary the external programming source, the power supply's output varies proportionally over its output range.

Using remote analog programming requires that you reset switch SW1 and make connections to the J2 connector on the power supply's rear panel. See "Rear Panel Connectors and Switch" on page 18.

Remote Programming Options

See Table 4.1 for a summary of the options available to you for programming output voltage and current limit using an analog source.

Table 4.1 Remote Programming Options

Control of...	Programming Scales ¹
Output Voltage and/or Current Limit	0-5 V and 0-10 V voltage sources 0-5 k and 0-10 k resistances

1. These scales may be used in any combination.

Remote Analog Programming Procedure



CAUTION

To maintain the isolation of the power supply output and prevent ground loops, use an isolated (ungrounded) programming source when operating the power supply via remote analog control at the J2 connector.



CAUTION

The remote programming inputs are internally referenced to the supply's negative output. Do not connect control ground (J2 terminals 3, 5, or 7) to the supply's positive output.

1. Turn the power supply OFF.
2. Using Table 4.2, set switches SW1-1, SW1-2, SW1-3, and SW1-4 according to the selected programming sources. See the Notes at the end of this procedure for more information about switch settings.
3. Install any J2 connector jumpers as indicated in Table 4.2.

4. Connect the programming source(s) to the mating J2 connector as shown in Figure 4.1, observing the correct polarity for voltage sources. Ensure that the mating connector is plugged securely into the rear panel connector.
5. Set the programming sources to the desired levels and turn the power supply ON. The REM LED turns on.
6. Adjust the external programming source to change the power supply's output.

Notes:

1. Switches SW1 to SW4 can be set to their defaults (all open) unless otherwise specified in Table 4.2. Switches SW1-5, SW1-6, SW1-7, and SW1-8 are not required for remote programming. They can remain at the settings you have selected for your application.
2. Resetting switches SW1-3 or SW1-4, the programming scale selection switches, may require that you recalibrate the programming circuit to maintain programming accuracy. See Section 5. Calibration.
3. Any of the eight switches on SW1 is OFF (OPEN) when it has been flipped up to break contact, ON (CLOSED) when flipped down to close contact.
4. The control circuits have been designed to allow you to set output voltage and current up to 5% over the model-rated maximum values. The power supply will operate within these extended ranges, but we cannot guarantee full performance to specification.

Remote Operation

Remote Analog Programming of Output Voltage and Current Limit

Table 4.2 Power Supply Settings for Different Programming Sources

Output Voltage Programming Source	Output Current Limit Programming Source				
	0-5 Vdc	0-10 Vdc	0-5 k Resistor	0-10 k Resistor	None (Front Panel Control)
0-5 Vdc	SW1: set 3 and 4 open. J2: jumper 1 to 3 and 2 to 3.	SW1: set 3 open. J2: jumper 1 to 3 and 2 to 3.	SW1: set 2 closed, 3 and 4 open. J2: jumper 1 to 3 and 2 to 3.	SW1: set 2 closed, 3 open. J2: jumper 1 to 3 and 2 to 3.	SW1: set 3 open. J2: jumper 1 to 3.
0-10 Vdc	SW1: set 4 open. J2: jumper 1 to 3 and 2 to 3.	SW1: default settings. J2: jumper 1 to 3 and 2 to 3.	SW1: set 2 closed, 4 open. J2: jumper 1 to 3 and 2 to 3.	SW1: set 2 closed. J2: jumper 1 to 3 and 2 to 3.	SW1: default settings. J2: jumper 1 to 3.
0-5 k Resistor	SW1: set 1 closed, 3 and 4 open. J2: jumper 1 to 3 and 2 to 3.	SW1: set 1 closed, 3 open. J2: jumper 1 to 3 and 2 to 3.	SW1: set 1 and 2 closed, 3 and 4 open. J2: jumper 1 to 3 and 2 to 3.	SW1: set 1 and 2 closed, 3 open. J2: jumper 1 to 3 and 2 to 3.	SW1: set 3 open, 1 closed. J2: jumper 1 to 3.
0-10 k Resistor	SW1: set 1 closed, 4 open. J2: jumper 1 to 3 and 2 to 3.	SW1: set 1 closed. J2: jumper 1 to 3 and 2 to 3.	SW1: set 1 and 2 closed, 4 open. J2: jumper 1 to 3 and 2 to 3.	SW1: set 1 and 2 closed. J2: jumper 1 to 3 and 2 to 3.	SW1: set 1 closed. J2: jumper 1 to 3.
None (Front Panel Control)	SW1: set 4 open. J2: jumper 2 to 3.	SW1: default settings. J2: jumper 2 to 3.	SW1: set 2 closed, 4 open. J2: jumper 2 to 3.	SW1: set 2 closed. J2: jumper 2 to 3.	SW1: default settings. J2: no jumper.

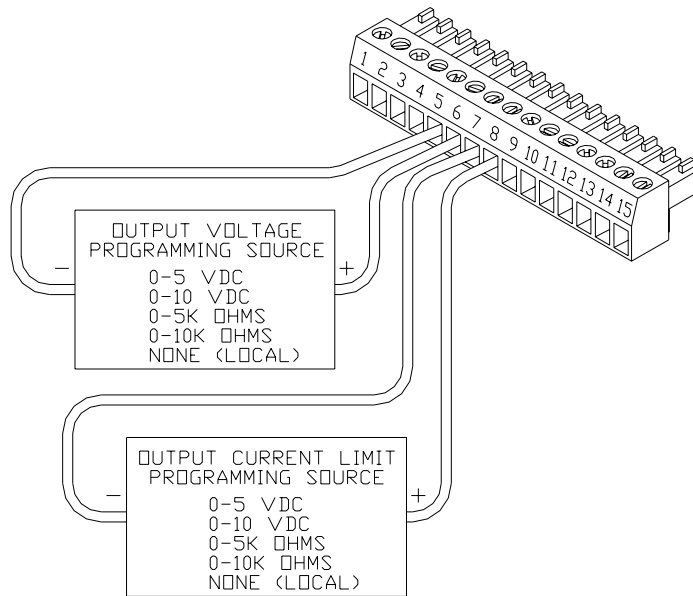


Figure 4.1 Connecting Programming Sources to J2 Connector

Remote Operation

Remote Monitoring of Output Voltage and Current

Remote Monitoring of Output Voltage and Current

Readback Signals The J2 connector on the rear panel provides access to calibrated readback signals for remote monitoring of the output voltage and current. Rear panel switches SW1-5 and SW1-6 allow you to select either a 0-5 Vdc or a 0-10 Vdc range for the output. The readback signal represents 0 to 100% of the power supply's output.

See Table 4.3 for the required J2 connections and switch settings for remote monitoring of readback signals with 0-5 Vdc or 0-10 Vdc outputs. Use shielded pair wiring (20 to 24 AWG) and ground the shield to J10 sense connector terminal 1 (return sense) or to the chassis.

Table 4.3 Power Supply Settings for Remote Monitoring of Readback Signals

Readback Signal	J2 Connection Signal (+)	J2 Connection Return (-)	Switch SW1 Setting
Output Voltage (0-5 Vdc)	J2-10	J2-9	SW1-5 OFF (OPEN)
Output Voltage (0-10 Vdc)	J2-10	J2-9	SW1-5 ON (CLOSED)
Output Current (0-5 Vdc)	J2-12	J2-11	SW1-6 OFF (OPEN)
Output Current (0-10 Vdc)	J2-12	J2-11	SW1-6 ON (CLOSED)

Note: Check the readback accuracy any time you reset switches SW1-5 and SW1-6. See Section 5. Calibration.

Section 5. Calibration

Introduction



WARNING

Exercise caution when using and calibrating a power supply. High energy levels can be stored at the output voltage terminals on a power supply in normal operation. In addition, potentially lethal voltages exist in the power circuit and on the output and sense connectors of a power supply with a rated output greater than 40 V. Filter capacitors store potentially dangerous energy for some time after power is removed.

Adjustments to programming and readback accuracy for the power supply are made using cover-off procedures which must be performed by a service technician.

Calibration Setup

- Service Environment and Precautions**
- Follow established antistatic procedures.
 - Work at a bench with adequate room and support for the unit under test and for all equipment required.
 - To reduce shock hazard, use only an insulated, straight-blade screwdriver when calibrating trim potentiometers.
 - NEVER calibrate these units alone. Ensure that someone is present who can help should an accident occur.

- Equipment Required**
- You will need the following equipment when calibrating your power supply.
- 5 1/2 digit true RMS voltmeters (DVMs) ($\pm 0.05\%$ accuracy) with test leads
 - Current shunt 1 mV/A ($\pm 0.25\%$) and connecting wire. The recommended current ratings for the DC shunt and connecting wire must be at least 10% greater than the power supply's output current rating. Please see Table 2.4, "Current Carrying Capacity for Load Wiring," on page 45.
 - Non-conducting, straight-bladed screwdriver

Calibration

Calibration Setup

Accessing Calibration Potentiometers

**WARNING**

Disconnect AC power from the unit before removing the cover. Even when the front panel power switch is in the OFF position, live line voltages are exposed when the cover is removed. Repairs and adjustments must be made by experienced service technicians only.

**WARNING**

Use a non-conducting, straight-blade screwdriver to adjust the trim pots.

**CAUTION**

Follow established antistatic procedures. There are static-sensitive parts on the printed circuit boards.

You will need to remove the power supply's cover to access the programming and readback calibration potentiometers which are located on the A2 PCB. See Figure 5.1 to locate the potentiometers.

Removing Option Card If there is a GPIB or RS-232 option card (PCB) installed inside the power supply, you will have to remove it to access the calibration potentiometers.

Tool Required: Phillips #2 screwdriver

1. Turn OFF the power supply. Disconnect AC Power. Remove the cover.
2. Remove 4 screws from their standoffs inside the power supply to release the option card.
3. Remove 2 screws at the rear panel to release the option card's sub-plate.
4. Unplug the ribbon cable connectors from the option card. Lift out card.

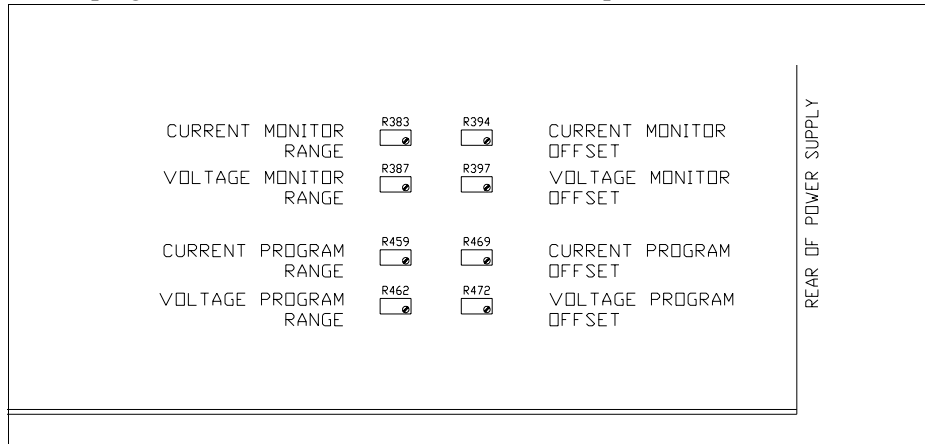


Figure 5.1 Programming and Monitoring Calibration Locations (Top view.)

Calibration

Calibrating for Programming Accuracy

Calibrating for Programming Accuracy

The factory calibrates the offset and range of the voltage and current programming circuits to within 1% for the default 0-10 Vdc programming signals. You may need to recalibrate when you use 0-5 Vdc programming or when you switch back to 0-10 Vdc programming after previously calibrating for 0-5 Vdc programming.

See “Calibration Setup” on page 79 for instructions to remove the cover and any option card. Follow all procedure steps in the sequence given.

Voltage Programming Circuit Calibration

1. Ensure that the power supply is turned OFF. Disconnect any load.
2. Connect the program source between J2 connector terminals 6 (output voltage program input) and 5 voltage program signal return).
3. Connect the DVM across the power supply output.
4. Turn the power supply ON.
5. Apply 1% of program voltage.
6. Adjust the voltage program offset potentiometer (R472) until the DVM reads 1% of the model-rated output voltage.
7. Apply 100% of program voltage.
8. Adjust the voltage program range potentiometer (R462) until the DVM reads the model-rated output voltage.

Repeat this procedure until output levels are adjusted to power supply specifications (see Section 1) or to the accuracy that your application requires.

**Current Limit
Programming
Circuit
Calibration**

1. Ensure that the power supply is turned OFF. Disconnect any load.
2. Connect the program source between J2 connector terminals 8 (output current limit programming input) and 7 (current program signal return).
3. Connect the shunt and DVM across the power supply output.
4. Turn the power supply ON.
5. Apply 1% of program voltage.
6. Adjust the current limit program offset (R469) until the shunt/DVM indicates 1% of the model-rated output current. See Note.
7. Apply 100% of program voltage.
8. Adjust the current limit program range (R459) until the shunt/DVM indicates the model-rated output current. See Note.

Repeat this procedure until output levels are adjusted to power supply specifications (see Section 1) or to the accuracy that your application requires.

Note: Calculate the required DVM reading using $V = IR$ where V is the DVM reading, I is the current, and R is the DC shunt resistance.

Calibration

Calibrating for Readback Accuracy

Calibrating for Readback Accuracy

The factory calibrates the offset and range of the output voltage and current monitor circuits to within 1% for the default 0-10 Vdc scales. You may need to recalibrate when you select the 0-5 Vdc scale or when you switch back to the 0-10 Vdc scale after previously calibrating for 0-5 Vdc operation.

See Section for instructions to remove the cover and any option card. Follow all procedure steps in the sequence given.

Output Voltage Monitor Circuit Calibration

1. Ensure that the power supply is turned OFF. Disconnect any load.
2. Set SW1 switch 5 OPEN to select 0-5 V output voltage monitor range, CLOSED for 0-10 V.
3. Connect a DVM across the power supply output to read the output voltage. Connect a second DVM between the rear panel J2 connector terminals 10 (output voltage monitor) and 9 (voltage monitor signal return).
4. Turn the power supply ON.
5. Set the power supply output voltage to 1% of the model-rated output.
6. Adjust the output voltage monitor offset (R397) until the monitor DVM reads 1% of the readback scale. (50 mVdc for 0-5 V readback or 100 mVdc for 0-10 Vdc readback.)
7. Set the power supply output voltage to the model-rated maximum.
8. Adjust the output voltage monitor range (R387) until the monitor DVM reads 100% of the readback scale. (5 Vdc for 0-5 V readback or 10 Vdc for 0-10 Vdc readback.)

Repeat this procedure until the monitor signal is adjusted to power supply specifications (see Section 1) or to the accuracy that your application requires.

**Output
Current
Monitor
Circuit
Calibration**

1. Ensure that the power supply is turned OFF. Disconnect any load.
2. Set SW1 switch 6 OPEN to select 0-5 V output current monitor range, CLOSED for 0-10 V.
3. Connect the shunt and DVM across the power supply output to read the output current. Connect a second DVM between the rear panel J2 connector terminals 12 (output current monitor) and 11 (current monitor signal return).
4. Turn the current control fully counter clockwise, then turn on the power supply.
5. Set the power supply's output current to 1% of the model-rated output. See Note.
6. Adjust the output current monitor offset (R394) until the monitor DVM indicates 1% of the readback scale. (50 mVdc for 0-5 V readback or 100 mVdc for 0-10 Vdc readback.)
7. Set the power supply output current to the model-rated output.
8. Adjust the output current monitor range (R383) until the monitor DVM indicates 100% of the readback scale. (5 Vdc for 0-5 V readback or 10 Vdc for 0-10 Vdc readback.)

Repeat this procedure until the monitor signal is adjusted to power supply specifications (see Section 1) or to the accuracy that your application requires.

Note: Calculate the required DVM reading using $V = IR$ where V is the DVM reading, I is the current, and R is the DC shunt resistance.

Calibration

Calibrating for Readback Accuracy

Xantrex Technology Inc.

8999 Nelson Way
Burnaby, British Columbia
Canada V5A 4B5

604 422 8595 Tel
604 421 3056 Fax
800 667 8422 Toll Free North America
prg.info@xantrex.com
www.xantrex.com