



Advanced Test Equipment Rentals
www.atecorp.com 800-404-ATEC (2832)



Fischer Custom Communications, Inc.

BULK CURRENT INJECTION PROBES



Fischer Custom Communications, Inc.

20603 Earl St. , Torrance, CA 90503. Phone: (310) 303-3300 • Fax (310) 371-6268

E-mail: Sales@Fischercc.com • www.fischercc.com

Fischer Custom Communications, Inc. develops and manufactures CW injection probes. Over 35 injection probes have been developed to meet specific customer and compliance testing requirements. **Fischer Custom Communications, Inc.** injection probes are currently being used for compliance testing in accord with Mil-Std-461, RTCA/DO-160 Section 20 and 22, Bellcore TR-NWT-001089, EN61000-4-6, ISO 11452-4, Def-Stan 59-41 and CSEFA-2 Euro-Fighter and other susceptibility specifications.

APPLICATIONS

Bulk current injection (BCI) methods are used to evaluate electromagnetic susceptibility of a wide range of electronic devices including automotive, avionics, computing, medical and telecommunications equipment. During normal operation of the equipment under test. These conductors include the signal, control and power circuits of equipment being evaluated.

Bulk current injection conducted immunity test methods use RF transformers to inductively couple large RF currents into conductors linking parts of electronic systems. The injection probe acts as a multiple or single primary winding and the line or circuit under test acts as a secondary winding. Injection probes can be used over the entire frequency shown in the insertion loss curve accompanying each unit.

There are three benefits for performing compliance testing using bulk current injection. The primary benefit is that BCI test results correlate well with radiated susceptibility test results. The design engineer can evaluate the affect of injected currents on the “System” or “Subsystem” under development and the relative immunity of different designs at the prototype stage of equipment development saving significant redesign time and cost. Third, conducted immunity testing can function as an integral part of a production quality assurance program. Quality assurance engineers can use BCI to perform conducted immunity tests on 100% of all critical circuits ensuring a high level of system compliance.

CHOOSING A BULK CURRENT INJECTION PROBE

Bandwidth, efficiency, CW power rating, and the physical dimensions are the key parameters to be considered.

The most important mechanical parameter is the size of the internal diameter or injecting “window”. The internal diameter must be able to accommodate the size of the circuit under test including cable looms as well as individual cables. **Fischer Custom Communications, Inc.** offers clamp-on injection probes with internal diameters ranging from 32mm to 66mm. Injection probes with an internal diameter of 40mm can be used with signal and power cables of most commercial electronic equipment and systems. Injection probes with internal diameters of 66mm are ideally suited for military and avionics equipment having large signal and power cable “looms”. Custom designs having larger than 66mm internal diameter are available.

The external dimensions of the injection probe become important if the probe must be placed inside the equipment under test like a motor vehicle or aircraft.

The useable or operational bandwidth of the injection probe must overlap the frequency range under evaluation. When conducting tests in accord with RTCA/DO-160 Section 20, the useable bandwidth of the injection probe must be 10 kHz – 400 MHz. Two injection probes are required to inject the specified current over the entire range.

The effectiveness of the injection probe over the operational bandwidth is determined by the probe's efficiency. The efficiency of the injection probe is a function of the attenuation or insertion loss. The insertion loss is the ratio in dB of the amplifier forward power to the power delivered by the injection probe to a calibration fixture and its loop inductance. To inject large CW currents with small amounts of amplifier power, the injection probe must have a low attenuation. Injection of small currents requires lower levels of efficiency. Each **Fischer Custom Communications** injection probe comes with a serialized calibration chart.

The CW power rating of injection probes influences the effectiveness of the probe's operation. Each probe has limitations on power handling capability. The probe's rating should be higher than the power required to inject the specified current. **Fischer Custom Communications** offers injection probes with CW power ratings ranging from 50 to 750 watts CW. **Fischer Custom Communications** injection probes can operate at the rated CW power level for a minimum of 30 minutes.

MATCHING NETWORKS

Fischer Custom Communications offers impedance matching networks to increase the efficiency and bandwidth of several injection probe models. The matching network is a transformer which changes the impedance of the probe from its original value to a nominal 50Ω resulting in a more efficient transfer of power from the amplifier to the probe.

The benefit of the matching network is to reduce the amount of power required to inject the specified current level over the bandwidth under test permitting the probe to operate cooler for longer periods of time. This lower power allows the test engineer to use a broad range of amplifiers.

Each injection probe can be used with or without the matching network.

INJECTION PROBE CALIBRAION

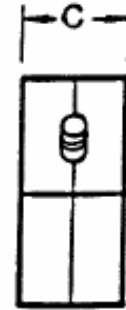
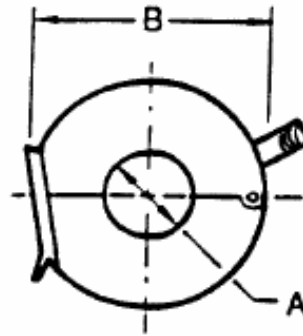
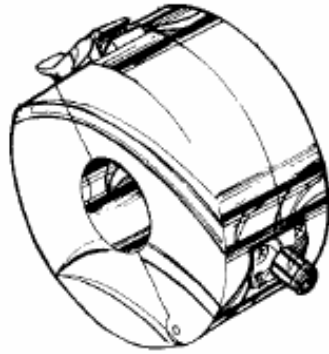
Each injection probe is calibrated over the entire operating frequency range. The calibration plot is smoothed to within ± 0.5 dB of the actual measured data. Insertion loss curves shown in this catalog are the result of insertion loss measurement of injection probe when calibrated into a 100Ω loop impedance. Mil-Std 461/462, Rev D and DO-160 Section 20 and most other BCI specifications require this loop impedance as part of calibration and test procedure. Only IEC-801.6 requires a 300Ω loop impedance. Insertion loss curves for injection probes calibrated into 300Ω loop impedances are available upon request.

Injection Probe Selection Guide

Model	Useable Frequency	Rated Watts (CW)	High Efficiency	Physical Dimensions (mm)			Calibration Fixture
			Bandpass	Inner Dia. (A)	Outer Dia. (B)	Height (C)	
			Insertion Loss / Freq.				
F-120-1	10kHz - 100MHz	100	≤16dB / 5MHz - 80MHz	40	127	70	FCC-BCICF-1
F-120-2	10kHz - 230MHz	100	≤9dB / 1MHz - 200MHz	40	127	70	FCC-BCICF-1
F-120-3	10kHz - 100MHz	125	≤10dB / 700kHz - 15MHz	40	127	70	FCC-BCICF-1
F-120-3A	10kHz - 230MHz	200	≤7dB / 150kHz - 20MHz	40	127	134	FCC-BCICF-4
F-120-3A-1	10kHz - 230MHz	200	≤7dB / 30kHz - 20MHz	40	127	134	FCC-BCICF-4
F-120-3B	10kHz - 100MHz	100	≤7dB / 500kHz - 800kHz	32	94	64	FCC-BCICF-1
F-120-4	10kHz - 175MHz	125	≤10dB / 300kHz - 80MHz	40	127	70	FCC-BCICF-1
F-120-5	10kHz - 100MHz	100	≤10dB / 500kHz - 1MHz	65	142	53	FCC-BCICF-3
F-120-6	10kHz - 400MHz	100	≤15dB / 20MHz - 300MHz	40	127	70	FCC-BCICF-1
F-120-6A	10kHz - 400MHz	100	≤7dB / 700kHz - 200MHz	40	127	70	FCC-BCICF-1
F-120-7	10kHz - 100MHz	125	≤17dB / 5MHz - 80MHz	65	153	102	FCC-BCICF-3
F-120-8	10kHz - 400MHz	200	≤7dB / 800kHz - 300MHz	40	127	134	FCC-BCICF-4
F-120-9	10kHz - 230MHz	100	<11dB / 150kHz - 230MHz	40	127	70	FCC-BCICF-1
F-120-9A	10kHz - 230MHz	125	≤8dB / 150kHz - 100MHz	40	127	134	FCC-BCICF-4
F-120-9B	10kHz - 230MHz	100	≤10dB / 500kHz - 100MHz	32	94	64	FCC-BCICF-1
F-130	5MHz - 400MHz	50	≤6dB / 50MHz - 400MHz	40	117	38	FCC-BCICF-130
F-130A	1MHz - 450MHz	50	≤6dB / 10MHz - 450MHz	32	94	64	FCC-BCICF-1
F-130-1	2MHz - 400MHz	200	≤7dB / 10MHz - 350MHz	40	127	70	FCC-BCICF-1
F-130-1A	2MHz - 400MHz	400	≤7dB / 10MHz - 350MHz	40	127	70	FCC-BCICF-1
F-130A-1	1MHz - 400MHz	100	≤7dB / 3MHz - 350MHz	40	127	70	FCC-BCICF-1
F-130-2	1MHz - 400MHz	700	≤7dB / 10MHz - 350MHz	40	127	134	FCC-BCICF-4
F-130-3	1MHz - 400MHz	100	≤7dB / 20MHz - 200MHz	65	142	54	FCC-BCICF-130-3
F-140	1MHz - 1GHz	100	≤7dB / 2MHz - 170MHz	40	127	70	FCC-BCICF-2
F-140A-1	100kHz - 1GHz	100	≤7dB / 600kHz - 170MHz	40	127	70	FCC-BCICF-2
F-150	800MHz - 2.1GHz	250	≤7dB / 950MHz - 2.0GHz	32	98	38	FCC-BCICF-150
F-150-1	2.3GHz - 4GHz	100	≤9dB / 2.3GHz - 7GHz	13	37	13	FCC-BCICF-150-1
F-070601-1008-1	400MHz - 1GHz	250	≤7dB / 450MHz - 1GHz	40	127	70	F-070601-1008-2
F-080409-1008-1	2.1GHz - 3GHz	100	≤7dB / 2.2GHz - 2.3GHz	32	71	19	F-080409-1008-2
F-080728-1008-1	500MHz - 1GHz	250	≤7dB / 500MHz - 800MHz	65	142	54	F-080728-1008-2
F-080915-1008-1	3GHz - 4GHz	100	≤8dB / 3.2GHz - 3.9GHz	32	53	10	F-080915-1008-2
F-040128-1008-1	1kHz - 100kHz	2000	≤7dB / 2kHz - 90kHz	40	200	335	F-040128-1008-2

Note: All Injection Probes are equipped with Type-N connectors.

CLAMP ON INJECTION PROBE



NOTE: All injection probes are equipped with Type N connectors.