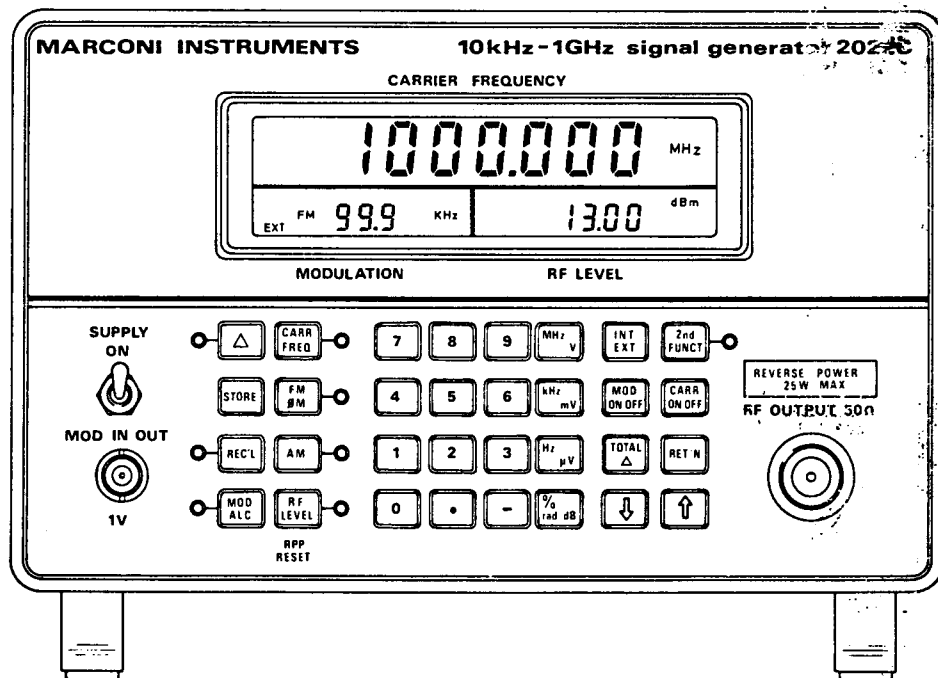




2022C

10 kHz-1 GHz
AM / FM SIGNAL GENERATOR



Operating Manual
+ SERVICE

**10 kHz – 1 GHz
AM/FM SIGNAL GENERATOR
2022C**

Part No. 52022-930X

© Marconi Instruments Ltd. 1987
Printed in the UK

Part No. 46881-846R
Print code : D-4/90, 2.50c

CONTENTS

	Page
Preface	iii
Operating precautions	iv
Chapter 1 GENERAL INFORMATION AND DATA	1-1
Chapter 2 INSTALLATION	2-1
Chapter 3 OPERATION	3-1
Carrier frequency	3-4
RF level	3-5
Modulation	3-6
Second functions	3-10
GPIB functions	3-19
Chapter 4 BRIEF TECHNICAL DESCRIPTION	4-1
Index	vii
List of tables	viii
List of figures	viii

ASSOCIATED PUBLICATIONS

Service Manual, H 52022-930X Vol. 2	Part No. 46881-847B
Operating Summary card	46881-851K

PREFACE

WARNINGS, CAUTIONS AND NOTES

These terms have specific meanings in this manual:-




WARNINGS contain information to prevent personal injury.

CAUTIONS contain information to prevent damage to the equipment.

Notes contain important general information.

HAZARD SYMBOLS

The meaning of hazard symbols appearing on the equipment is as follows:-

Symbol	Nature of hazard	Reference in manual
	Dangerous voltages	Page iv
	Beryllia	Page iv
	Static sensitive components	Page iv

MANUAL AMENDMENT STATUS

Each page in this manual bears the date of its original issue or, if it has been amended, the date and status number of the amendment. Any changes subsequent to the latest amendment status are included on Manual Change sheets coded C1, C2 etc at front of the manual.

OPERATING PRECAUTIONS

This product has been designed and tested in accordance with IEC Publication 348 – ‘Safety Requirements for Electronic Measuring Apparatus’. To keep it in a safe condition and avoid risk of injury, the precautions detailed in the WARNINGS below should be observed. To avoid damage to the equipment the precautions detailed in the CAUTIONS should also be observed.

WARNING – ELECTRICAL HAZARDS

⚠ AC supply voltage. This equipment conforms with IEC Safety Class 1, meaning that it is provided with a protective earthing lead. To maintain this protection the mains supply lead must always be connected to the source of supply via a socket with an earthing contact. Make sure that the earth protection is not interrupted if the supply is connected through an extension lead or an autotransformer.

Before fitting a non-soldered plug to the mains lead cut off the tinned end of the wires, otherwise cold flowing of the solder could cause intermittent contact.

Do not use the equipment if it is likely that its protection has been impaired as a result of damage.

Fuses. Note that there is a supply fuse in both the live and neutral wires of the supply lead. If only one of these fuses should rupture, certain parts of the equipment could remain at supply potential.

Make sure that only fuses of the correct rating and type are used for replacement. Do not use mended fuses or short-circuited fuse holders.

To provide protection against breakdown of the supply lead, its connectors (and filter if fitted), an external supply fuse with a continuous rating not exceeding 6 A should be used in the live conductor (e.g. fitted in the supply plug).

Removal of covers. Disconnect the supply before removing the covers so as to avoid the risk of exposing high voltage parts. If any internal adjustment or servicing has to be carried out with the supply on, it must only be performed by a skilled person who is aware of the hazard involved.

Remember that capacitors inside the equipment, including any supply filter capacitors, may still be charged after disconnection of the supply. Those connected to high voltage points should be discharged before carrying out work inside the equipment.

WARNING – OTHER HAZARDS

Parts of this equipment are made from metal pressing, therefore it should be handled with due care to avoid the risk of cuts or scratches.

Some of the components used in this equipment may include resins and other materials which give off toxic fumes if incinerated. Take appropriate precautions, therefore, in the disposal of these items.

⚠ Beryllia (beryllium oxide) is used in the construction of transistor TR20 in unit AB1/1. This material, if incorrectly handled, could cause a danger to health – refer to the Service Manual for safe handling and disposal precautions.

CAUTION – LCD HANDLING

When using this equipment take care not to depress the front or rear faces of the display module as this may damage the liquid crystal display elements.

CAUTION – STATIC SENSITIVE COMPONENTS

⚠ This equipment contains static sensitive components which may be damaged by handling – refer to the Service Manual for handling precautions.

Chapter 1

GENERAL INFORMATION

FEATURES

The 2022C is a light-weight synthesized signal generator having a frequency range of 10 kHz to 1 GHz and providing comprehensive amplitude, frequency and phase modulation facilities with an RF output level range of -127 dBm to +13 dBm. It is designed to cover a wide range of RF applications in development, production and maintenance. Output frequency is phase locked to an internal or external frequency standard and frequencies up to 100 MHz can be set to a resolution of 10 Hz, and above that to a resolution of 100 Hz.

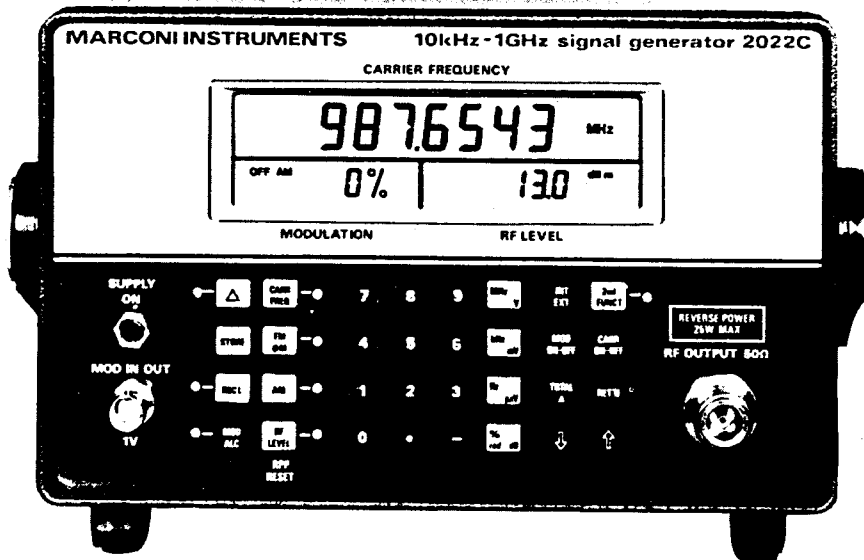


Fig. 1-1 10 kHz to 1 GHz Signal Generator 2022C

Front panel operation is carried out by direct entry of required settings via the keyboard. Microprocessor control ensures flexibility, simplicity of use and allows programming by the General Purpose Interface Bus (GPIB).* This facility is offered as an optional accessory enabling the instrument to be used both as a manually operated bench mounted instrument or as part of a fully automated test system.

Output

Calibrated output levels from -127 dBm to +13 dBm are provided. A choice of ten output level unit combinations can be obtained on the front panel. The RF output level can be set to a resolution of 0.1 dB over the entire output voltage range. Protection against the accidental application of up to 50 W of reverse power is provided by a fast responding relay trip. Full protection is also provided when the instrument is switched off.

*GPIB: - Marconi Instruments General Purpose Interface Bus in accordance with IEEE Standard 488 - 1978 and IEC Publication 625-1.

GENERAL INFORMATION

An RF level offset capability allows the output level to be varied relative to the indicated value to compensate for external cable losses or to ensure that all instruments in a particular area give identical results.

Modulation

Amplitude, frequency and phase modulation can be provided internal or external sources. AM depth can be set in 0.5% steps up to 99.5%, FM deviation up to 99.9 kHz and phase modulation up to 9.99 radians. An auxiliary modulation input allows dual modulation to be applied for receiver testing.

Front panel

All data and units selected are visible on a single liquid crystal display. Data is entered on a keyboard that has been designed to be simple and logical to use. Carrier frequency, modulation and RF level functions may be incremented or decremented using the ↑ (UP) and ↓ (DOWN) keys. Non-volatile store and recall facilities are also provided using an electrically alterable read only memory that does not require a battery back-up system. A front panel cover for protecting the instrument in transit is available as an accessory.

Second function mode of operation

This enables a number of auxiliary functions such as setting the GPIB address, selection of alternative RF level calibration units, access to various calibration routines and an aid to diagnostic fault finding via the internal instrument bus.

PERFORMANCE DATA

Carrier frequency

Range:	10 kHz to 1 GHz.
Displayed resolution:	10 Hz up to 100 MHz. 100 Hz above 100 MHz.
Selection:	By keyboard entry.
Accuracy:	Equal to the frequency standard accuracy – see under Frequency standard.
Display:	7 digit LCD – see under Keyboard and displays.

RF output

Output level range:	-127 dBm to +13 dBm. (0.1 μ V to 1 V PD). (When AM is selected the maximum output power reduces linearly with AM depth to +7 dBm (500 mV PD) at maximum depth).
---------------------	--

Selection:	By keyboard entry – units may be μV , mV, EMF or PD; or dB relative to 1 μV , 1 mV, EMF or PD; or dBm. Conversion between dB and voltage units may be achieved by pressing the appropriate unit key (dB or V, mV, μV).
Output impedance:	50 Ω , Type N female socket to MIL 39012/3D.
VSWR:	<1.5:1 for output levels below -7 dBm.
Reverse power protection:	An electronic trip protects the generator output against reverse power of up to 50 W from a 50 Ω source and 25 W from a source with a VSWR up to 5:1 from DC to 1 GHz. For safety the output socket is automatically disconnected from the attenuator when the AC power is off. The trip may be reset from the front panel (or via the GPIB).
Output level flatness:	Better than ± 0.5 dB from 10 kHz to 1 GHz for output levels from -10 dBm to +13 dBm.
Output level accuracy:	± 1 dB from 10 kHz to 1 GHz and levels above -10 dBm. ± 2 dB from 10 kHz to 1 GHz and levels below -10 dBm.
Displayed resolution:	0.1 dB or better.
Display:	4 digit LCD – see under Keyboard and displays.

Spurious signals

Harmonically related signals for output levels below 0 dBm:	Better than -35 dBc (typically better than -40 dBc) for carrier frequencies up to 62.5 MHz. Better than -25 dBc (typically better than -35 dBc) for carrier frequencies above 62.5 MHz.
Sub-harmonics for output levels below 7 dBm:	None for carrier frequencies below 500 MHz. -20 dBc for carrier frequencies above 500 MHz.
Non-harmonically related signals for output levels below 0 dBm:	<-70 dBc for carrier frequencies of 62.5 MHz and above. For carrier frequencies below 62.5 MHz the spurious signals in the band up to 150 MHz are better than -55 dBc while the spurious signals in the band above 150 MHz are better than -40 dBc.

GENERAL INFORMATION

Residual FM:
(FM off) Less than 7 Hz RMS (10 Hz equivalent peak) deviation in a 300 Hz to 3 kHz bandwidth from 250 to 499 MHz and improving by approximately 6 dB per octave with reducing carrier frequency down to 62.5 MHz.
Better than 3.5 Hz RMS (5 Hz equivalent peak) below 62.5 MHz.

RF leakage: <0.5 μ V PD generated in a 50 Ω load by a 2 turn 25 mm loop, 25 mm or more from the case of the generator with the output level set to less than -10 dBm and the output terminated in a 50 Ω sealed load.

Frequency modulation

Range: Peak deviation from 0 Hz to 99.9 kHz at all carrier frequencies.

Displayed resolution: 10 Hz for deviations up to 9.99 kHz.
100 Hz for deviations from 10 kHz to 99.9 kHz.

Selection: By keyboard entry. Internal or external modulation input may be selected.

Deviation accuracy: $\pm 5\%$ of deviation ± 20 Hz at 1 kHz modulating frequency excluding residual FM.

Frequency response: ± 0.5 dB from 50 Hz to 50 kHz relative to 1 kHz, using external modulation.

With ALC off the low frequency response is extended to 10 Hz with a peak deviation value limited to the lower of 99.9 kHz or $[0.047 \times \text{Modulation Freq. (in Hz)} \times \{\text{Carrier Freq. (in MHz)} + 160 \text{ (if Carrier Freq. is below 62.5 MHz)}\}]$ kHz.

With ALC off can also be used for 10 Hz square wave switching with a peak deviation value limited to the lower of 99.9 kHz or 0.6 times the value obtained by the formula above.

Distortion: <2% total harmonic distortion at 1 kHz modulation frequency and maximum deviation for any carrier above 250 kHz.
<0.5% total harmonic distortion at 1 kHz modulation frequency for deviations up to 25 kHz for any carrier frequency above 250 kHz with external modulation (ALC off).

External modulation accuracy: With modulation ALC on, the deviation is calibrated for input levels between 0.9 V and 1.1 V RMS. A HI or LO message is indicated in the modulation display if the level is outside the range of the ALC. With modulation ALC off, the deviation is calibrated for an input level of 1 V PD.

Input impedance is 100 k Ω nominal.

Display: 3 digit LCD – see under Keyboard and display.

Phase modulation

Range: Peak deviation from 0 to 9.99 radians.

Displayed resolution: 0.01 radian.

Selection: By keyboard entry. Internal or external modulation may be selected.

Deviation accuracy: $\pm 5\%$ of deviation at 1 kHz modulating frequency excluding residual phase modulation.

Frequency response: ± 1 dB from 10 Hz to 10 kHz relative to 1 kHz using external modulation input and ALC off.
 ± 1 dB from 50 Hz to 10 kHz relative to 1 kHz using external modulation input and ALC on.

Distortion: <5% total harmonic distortion at 1 kHz modulating frequency and maximum deviation at any carrier frequency above 250 kHz.

External modulation accuracy: With modulation ALC on the deviation is calibrated for input levels between 0.9 and 1.1 V RMS. A HI or LO message is indicated in the modulation display if the level is outside the range of the ALC. With modulation ALC off the deviation is calibrated for an input of 1 V PD.

Input impedance is 100 k Ω nominal.

Display: 3 digit LCD – see under Keyboard and display.

Amplitude modulation

Range: 0 to 99.5%.

Resolution: 0.5%.

Selection: By keyboard entry. Internal or external modulation may be selected.

GENERAL INFORMATION

Accuracy:	For RF level $\leq +3$ dBm :- Better than $\pm(4\%$ of depth setting $+1\%$) for 1 kHz modulating frequency and depths up to 95% for carrier frequencies up to 62.5 MHz. Better than $\pm(4\%$ of depth setting $+1\%$) for 1 kHz modulating frequency and depths up to 80% for carrier frequencies up to 400 MHz.
Frequency response:	± 0.5 dB from 50 Hz to 15 kHz relative to 1 kHz at 80% depth using external modulation input, ALC on and DC coupled with ALC off.
Envelope distortion:	For RF levels $\leq +3$ dBm:- <3% total harmonic distortion at 1 kHz modulation frequency for depths up to 80% for carrier frequencies up to 400 MHz. <5% total harmonic distortion at 1 kHz modulation frequency for depths up to 95% for carrier frequencies up to 62.5 MHz.
External modulation:	With the modulation ALC on the modulation depth is calibrated for input levels between 0.9 and 1.1 V RMS. A HI or LO message is indicated in the modulation display if the level is outside the range of the ALC. With the modulation ALC off the modulation depth is calibrated for an input of 1 V PD. Input impedance is nominally 100 k Ω DC coupled.
Display:	3 digit LCD – see under Keyboard and display.
Modulation oscillator	
Frequency:	1 kHz, accuracy as frequency standard.
Distortion:	<1% total harmonic distortion.
Frequency standard	
Internal standard:	High stability, oven controlled 10 MHz crystal oscillator.
Temperature stability:	Better than ± 2 in 10^7 over the temperature range 0 to 40°C.
Age rate:	<0.1 p.p.m. per month of continuous use after one month's continuous use at constant ambient temperature.

Warm up time: Within 0.5 p.p.m. of final frequency after 5 minutes from switch on at ambient 20°C.

Auxiliary inputs and outputs

Modulation input/output: A front panel BNC socket provides an output from the modulation oscillator when internal modulation is selected and becomes the external modulation input when external modulation is selected.

Internal modulation oscillator output: 1 V \pm 10% EMF from a nominal 600 Ω source impedance.

Internal modulation oscillator frequency: 1 kHz. Accuracy as internal frequency standard.

Internal modulation oscillator distortion: Less than 1% total harmonic distortion.

External modulation input: Input level nominally 1 V into 100 k Ω – see under Frequency modulation and Amplitude modulation.

Auxiliary modulation input: Sensitivity nominally 20% of the modulation depth/deviation set for a 1 V PD input.
Input impedance 600 Ω nominal.

External frequency standard input: A rear panel BNC socket accepts a 10 MHz signal of at least 1 V (max. 2 V) RMS into a 100 Ω nominal impedance. A 5 MHz or 1 MHz signal can be accepted by changing an internal link.

Alternative outputs: A blanked hole is provided so that the user can fit the RF output socket to the rear panel for system use etc.

Keyboard and display

Main and secondary keyboard functions: These are described in Chap. 3, Operation. All instrument settings are controlled by the front panel keyboard.

Display: Liquid crystal display provides simultaneous readout of carrier frequency, modulation and RF level.

GENERAL INFORMATION

Carrier frequency:	7-digit with annunciators to show frequency units, external frequency standard, GPIB service requests, remote operation selection and instrument addressed.
Modulation:	3-digit with annunciators to show modulation units, AM, FM, Φ M, modulation off and external modulation selected.
RF level:	4-digit with annunciators to show RF level units, RF output off, reverse power trip operated.
GPIB interface:	A GPIB interface is available as an optional accessory and can be easily fitted by the user. All functions except the SUPPLY ON switch are remotely programmable.
Capabilities:	Complies with the following subsets as defined in IEEE 488 - 1978 and IEC Publication 625-1: SH1, AH1, T6, TE0, L4, LE0, SR1, RL1, PP0, DC1, DT0, C0, E1.
Conditions of storage and transport	
Temperature:	-40°C to +70°C.
Humidity:	Up to 90% relative humidity.
Altitude:	Up to 2500 m (pressurized freight at 27 kPa differential i.e 3.9 lbf/in ²).
Rated range of use: (Temperature over which the full specification is met)	0 to 55°C.
Safety:	Complies with IEC Publication 348.
Radio frequency interference:	Conforms to the requirements of EEC Directive 76/889 as to limits of RF interference.
Power requirements	
Voltage ranges:	105 to 120 and 210 to 240 V AC \pm 10%.
Frequency:	45 to 440 Hz.
Consumption:	50 VA max.

Dimensions and Weight

Height: 152 mm (6 in)
 Width: 256 mm (10 in)
 Depth: 367 mm (14.5 in) (Excluding handle projection)
 Weight: 7.5 kg (16.5 lb)

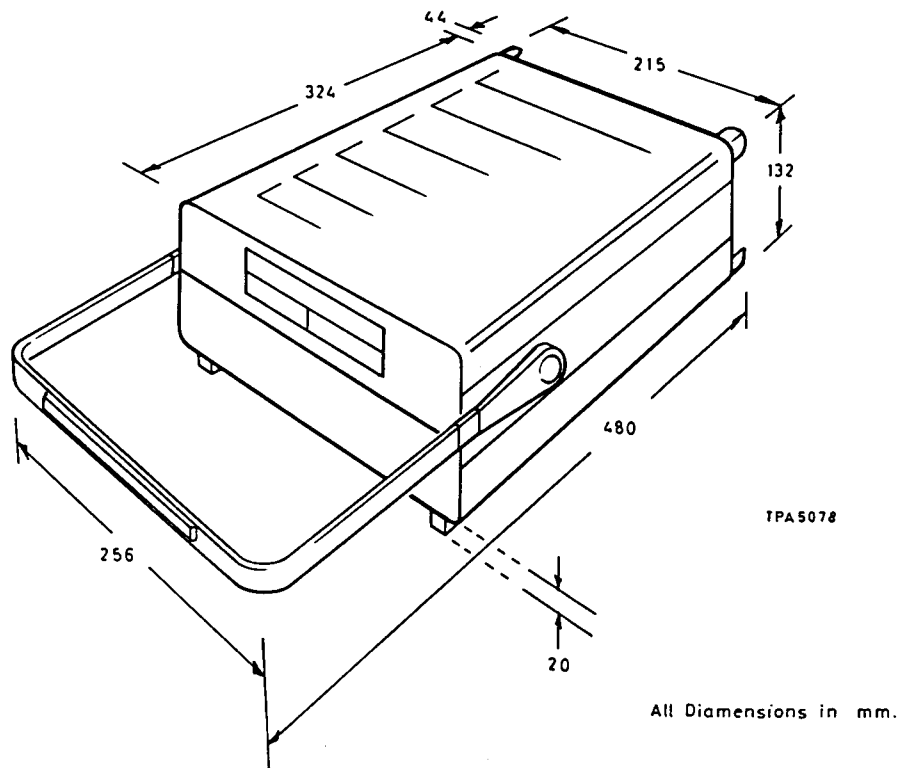


Fig. 1-2 Case dimensions

ACCESSORIES**Supplied accessories**

	Part no.
AC supply lead	43129-003W
Operating Manual H 52022-930X (Vol. 1)	46881-846R
Operating summary card	46881-810P
Front panel blanking kit	46883-654E

Optional accessories

	Part no.
Service Manual H 52022-930X (Vol. 2)	46881-847B
GPIB module	54433-003N
Front panel protective cover	54124-023J
Rack mounting kit single	46883-717K
Rack mounting kit double	46883-716B
The GPIB Manual H 54811-010P (Contains details of general GPIB protocols)	46881-365R
GPIB lead assembly	43129-189U
Screened GPIB lead assembly (for enhanced RFI performance)	46883-962H
GPIB IEEE/IEC connector adapter	46883-408K
RF coaxial cable (N to N type)	54311-095C
Coaxial adapter, type N to BNC	54311-092P
Impedance adapter 50/75 Ω (25 Ω series resistor)	54411-051X

Chapter 2

INSTALLATION

UNPACKING AND REPACKING

Retain the container, packing material and the packing instruction note (if included) in case it is necessary to reship the instrument.

If the instrument is to be returned for servicing attach a label indicating the service required, type or model number (on rear label), serial number and your return address including name of contact. Pack the instrument in accordance with the general instructions below or with the more detailed information in the packing instruction note.

- (1) Place supply lead in a suitable plastic bag and tape it to the instrument's rear panel, between the rear feet.
- (2) Spread the inner "wrap-round" padded fitting flat and place the instrument into this with the carrying handle folded underneath and the four feet positioned into the four holes provided.
- (3) Wrap the instrument with the packing all around and seal the two ends together with adhesive tape.
- (4) Position the two end cushion protecting pieces at either end of the outer packing carton, then slide the instrument within its inner wrap round protection into the outer packing carton. Close and seal the outer carton.
- (5) Wrap the container in waterproof paper and secure with adhesive tape.

Mark the package FRAGILE to encourage careful handling.

Note ...

If the original container or materials are not available, use a strong double-wall carton packed with a 7 to 10 cm layer of shock absorbing material around all sides of the instrument to hold it firmly. Protect the front panel controls with a plywood or cardboard load spreader with holes drilled to avoid the projecting RF output, mod in-out sockets and the supply on-off switch; if the rear panel has guard plates or other projections a rear load spreader is also advisable.

CONNECTING TO SUPPLY

Excessive temperatures may affect the instrument's performance; therefore completely remove the plastic cover, if one is supplied over the case, and avoid standing the instrument on or close to other equipment that is hot. Before connecting the instrument to the AC supply check the position of the two voltage selector switches on the rear panel. A locking plate fixes both switches into one of four possible combinations and reveals only the selected voltage range. The instrument is normally despatched with the switches set to 230/240 V. To select a different voltage range remove the locking plate and reposition the switches to the required range as shown in Fig. 2-1 and refit the locking plate.

INSTALLATION

Note ...

The AC supply fuse may also have to be changed. An indication of the correct fuse rating is given with each displayed voltage range:-

- i.e. 0.5 A-TT (time lag) for the 105 to 120 V ranges
- 0.25 A-TT (time lag) for the 210 to 240 V ranges

The fuses are 20 mm x 5 mm cartridge type.

The free AC supply cable is fitted at one end with a female plug which mates with the AC connector at the rear of the instrument. When fitting a supply plug ensure that conductors are connected as follows:-

Earth	-	Green/yellow
Neutral	-	Blue
Live	-	Brown

When attaching the supply lead to a non-soldered plug it is recommended that the tinned ends of the lead are first cut off to avoid the danger of cold flow resulting in intermittent connections.

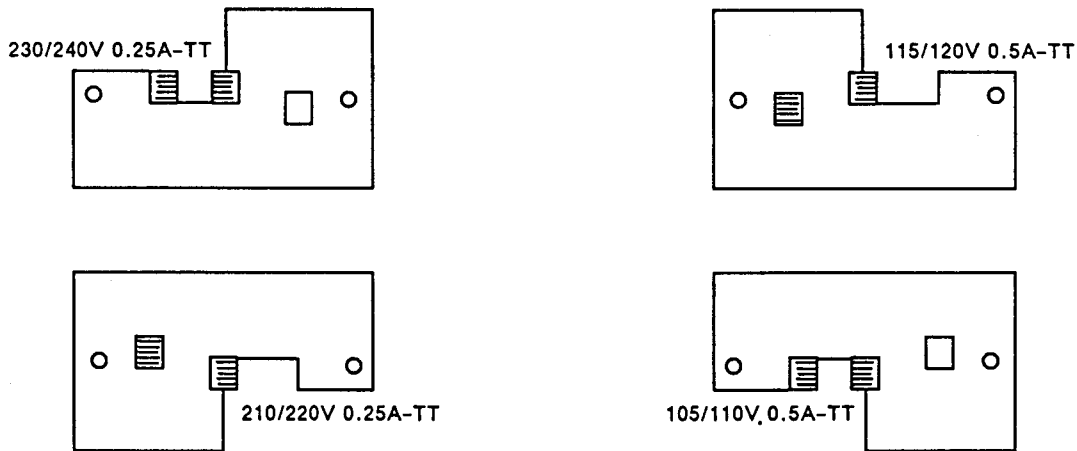


Fig. 2-1 Voltage ranges, showing switch and locking plate positions

SAFETY TESTING

Where safety tests on the AC supply input circuit are required, the following procedures can be applied. These comply with BS 4743 and IEC Publication 348. Tests are to be carried out as follows and in the order given, under ambient conditions, to ensure that AC supply input circuit components and wiring (including earthing) are safe.

(1) Earth lead continuity test from any part of the metal frame to the bared end of the flexible lead for the earth pin of the user's AC supply plug. Preferably a heavy current (about 25 A) should be applied for not more than 5 seconds.

Test limit : not greater than 0.5 Ω .

(2) 500 V DC insulation test from the AC supply circuit to earth.

Test limit : not less than 2 M Ω .

GPIB INTERFACE

The GPIB interface is an optional accessory and can easily be fitted as follows:-

(1) Remove the rectangular cover plate from the right-hand side of the rear panel, withdraw the interconnecting lead and discard the cover plate but retain the fixing screws.

(2) Connect the GPIB interface assembly AD0 taking care that the ribbon cable connector SKP is correctly aligned with the connector PLP.

(3) Slide the GPIB assembly into the instrument, engaging top and bottom card guides, and switch the instrument on temporarily. Check that the front panel displays data correctly. If this is satisfactory switch off and continue with step (4); if, however, display data is corrupted, switch off and re-check the alignment of SKP and PLP.

(4) Secure the GPIB assembly into the instrument, engaging the top and bottom card guides, and fasten the assembly to the rear panel using the two screws removed in step (1).

(5) The interface is ready for GPIB operation after setting the appropriate talker/listener address - see Chap. 3 : Second function 2.

(6) Connection to other equipment which has a 24-way bus connector to IEEE Standard 488 can be made with the GPIB lead assembly 43129-189U, available as an optional accessory. Where conformity with the radio frequency interference limits specified by VDE (Verband Deutscher Electrotechniker) is required, an alternative double screened GPIB lead assembly 46883-962H is available. An IEEE-to-IEC adapter 46883-408K is also available for interfacing with systems using a 25-way bus connector to IEC Recommendation 625 - see Fig. 2-2.

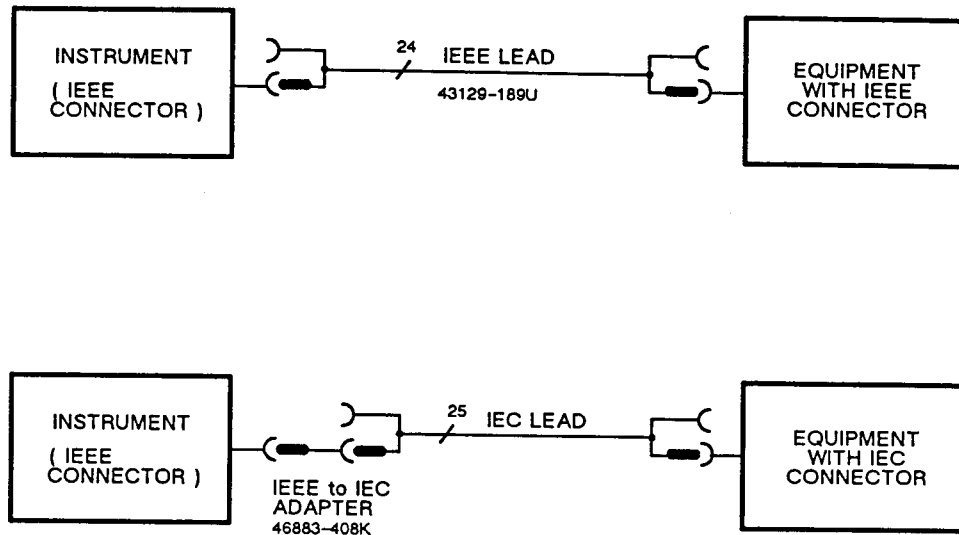


Fig. 2-2 GPIB interconnections

GPIB connector

The contact assignment of the GPIB cable connector and the device connector is as shown in Fig. 2-3.

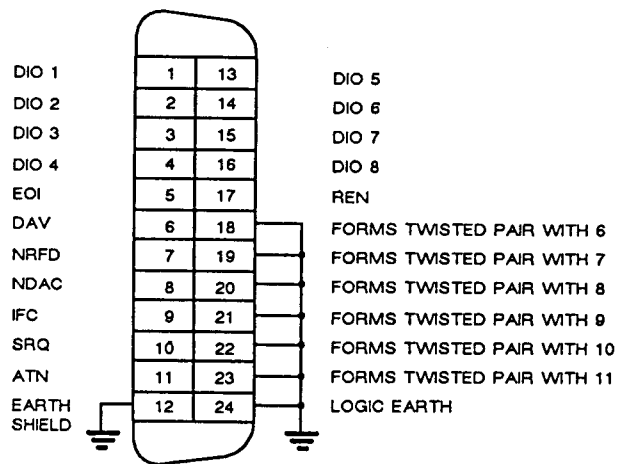


Fig. 2-3 GPIB connector contact assignments

RACK MOUNTING

The instrument may be mounted in a standard 19 inch rack as a single unit using the kit 46883-717K. This contains a pair of side angle plates wide enough to allow the instrument to sit centrally within the rack frame as shown in Fig. 2-4.

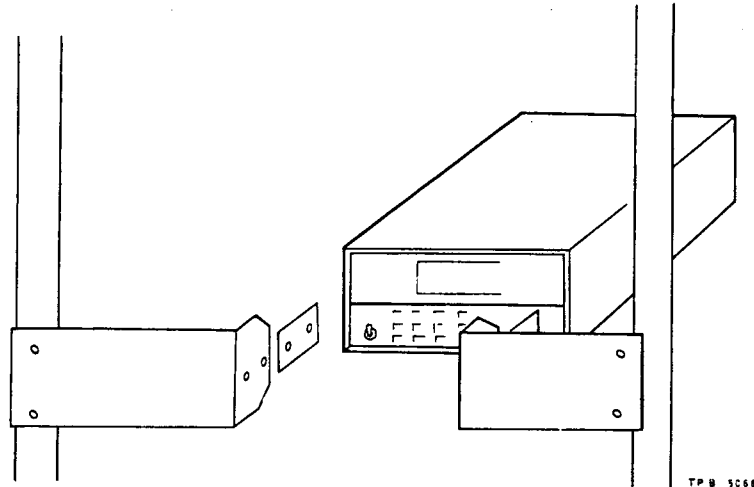


Fig. 2-4 Single unit rack mounting

For rack mounting the 2022C side-by-side with another instrument of similar modular construction, a double unit rack mounting kit 46883-716B is available. Fixings for joining the two instruments together and attaching both to the rack are shown in Fig. 2-5. For detailed information on kit parts, assembly etc., refer to the fitting instructions supplied with each rack mounting kit.

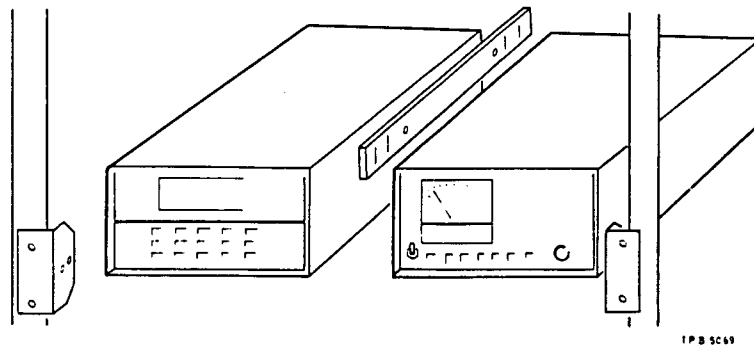


Fig. 2-5 Twinned unit rack mounting

If rear connection is required in a rack mounted system, the RF OUTPUT socket can be removed and repositioned on the rear panel - see the Service Manual for details.

Chapter 3

OPERATION

PRINCIPLES OF CONTROL

All operating functions of the generator are carried out from the front panel keyboard which is divided into five distinct colour coded areas. Remote operation from a GPIB controller is possible if the optional GPIB interface is fitted.

FRONT PANEL

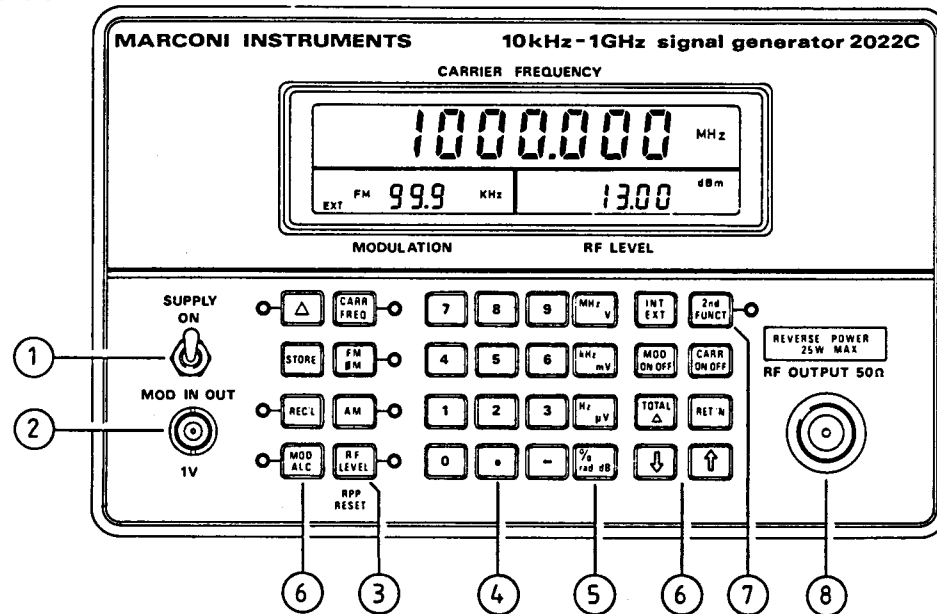


Fig. 3-1 Front panel controls

- ① SUPPLY switch. Applies the AC supply voltage.
- ② MOD IN/OUT socket. Provides a 600 Ω , nominal 1 V EMF output from the internal 1 kHz modulation oscillator or accepts a modulating input from an external source.
- ③ Major function keys. Six of the seven keys have an associated LED to indicate the function selected.
- ④ Numerical keypad (brown). For entering numerical value for the function selected, including minus sign and decimal point.
- ⑤ Units keys (grey). The four keys assign units of measure and also terminate the numerical entry.
- ⑥ Miscellaneous functions (brown). The right-hand group of seven keys is for switching the carrier and modulation on or off, incrementing/decrementing and selecting internal or external modulation. One further brown key on the left selects modulation ALC.
- ⑦ 2nd FUNCT (blue). This key with its associated LED accesses additional secondary control and calibration facilities.
- ⑧ RF OUTPUT. 50 Ω N type output socket with reverse power protection.

REAR PANEL

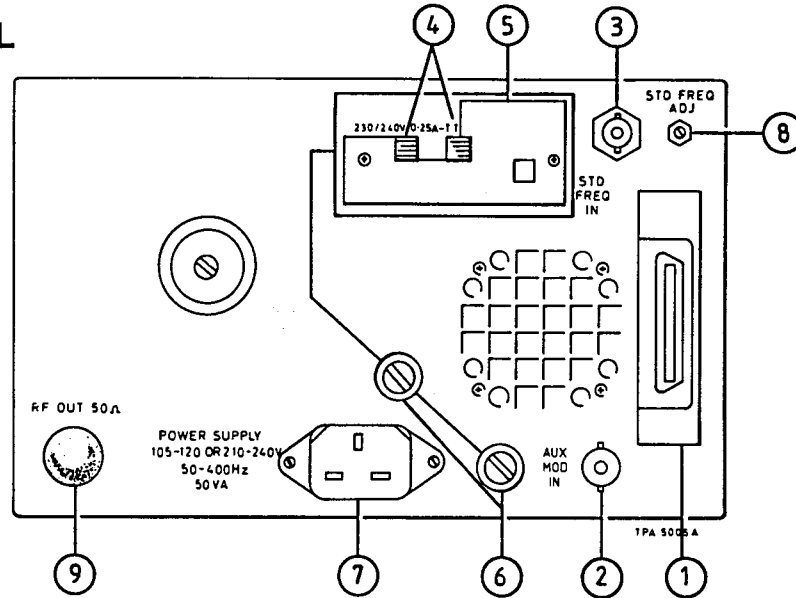


Fig. 3-2 Rear panel layout

- ① REMOTE CONTROL GPIB INTERFACE. This optional accessory allows remote control of the instrument. Accepts a 24-way IEEE GPIB connector.
- ② AUX MOD IN. A BNC socket which accepts an auxiliary external modulating signal. An input of 1 V RMS produces a secondary modulation at 20% of the indicated primary modulation.
- ③ STD FREQ IN. A BNC socket which allows an input from an external 10 MHz standard frequency (or 1 MHz or 5 MHz after resetting an internal link).
- ④ VOLTAGE SELECTOR switches. A combination of four positions which select ranges of 105/110 V, 115/120 V, 210/220 V or 230/240 V, each with a 10% tolerance to afford a complete cover over the ranges 95 to 132 V and 190 to 264 V.
- ⑤ Selector switch plate. Can be turned and/or reversed to secure the VOLTAGE SELECTOR switches in one of four pre-selected positions.
- ⑥ AC fuses. Supply input fuses are rated at 0.25 A (time lag) for the 190 V to 264 V range or 0.5 A (time lag) for the 95 V to 132 V range.
- ⑦ AC supply input. The AC supply is connected through this plug which mates with the connector fitted to the supply lead.
- ⑧ STD FREQ ADJ. Allows the internal standard to be set against a primary external standard.

CAUTION ...

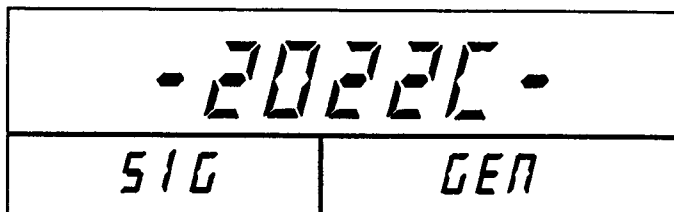
Incorrect adjustment of this preset will impair the frequency accuracy of the generator and it should therefore only be adjusted by an authorized recalibration unit.

- ⑨ RF OUT. This blanked hole provides alternative connector locations when the instrument is rack mounted. Fitting instructions are included in Chap. 5 of the Service Manual.

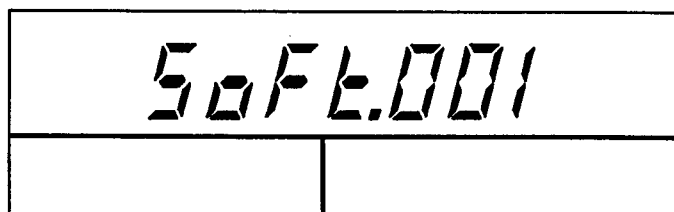
PREPARATION FOR USE

(1) Switch SUPPLY ON and note that the following three display patterns appear in sequence:

(i) Instrument type no.



(ii) Software issue no.



(iii) Initial operating mode

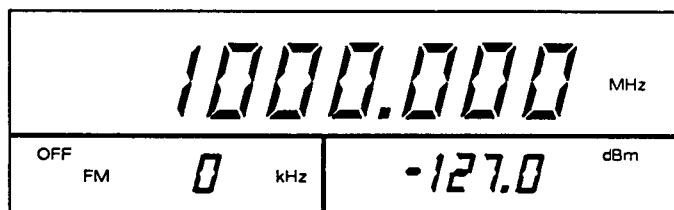


Fig. 3-3 Switch-on displays

Note ...

If second function 16 was in use before the instrument was switched off, the contents of store 10 will be recalled as the initial operating mode instead of the default conditions shown in Fig. 3-3. If store 10 contents are recalled when display blanking (second function 197) is on, none of the settings will be visible. Use REC'L 00 to obtain a visible display.

(2) Check that the CARRIER FREQUENCY window does not indicate EXT STD, unless an external frequency standard is being used. If this has been inadvertently selected error 11 will be displayed, in which case press CARR FREQ and INT/EXT keys to reselect internal frequency standard.

(3) During normal operation the instrument's internal reference standard will give an accuracy within the rated performance after a warm-up period of 5 minutes at normal ambient temperatures.

OPERATING PROCEDURES

The general procedure for selecting a numerical parameter such as frequency, modulation or RF level is to enter the following sequence:

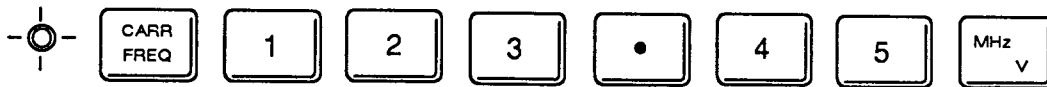
FUNCTION (orange key) which lights the adjacent LED.

NUMERICAL VALUE (brown key) including decimal marker and negative sign if required.

UNITS (grey key) which acts as terminator.

If an error is made while keying clear the entry by re-selecting the function key. If value entered is outside the rated range, the instrument will set to the nearest end-of-range value.

CARRIER FREQUENCY



Press the orange CARR FREQ key (unless its LED is already lit). Enter the required value via the numerical key pad and note that the data entered appears in the CARRIER FREQUENCY display. Terminate the instruction by pressing the MHz, kHz or Hz key.

Carrier on/off



The carrier may be switched off or on at any time by pressing the CARR ON-OFF key.

Internal/external frequency standard



At switch-on the instrument will set to either internal or external frequency standard, depending on its last state before switch-off. External standard control is indicated by the annunciator EXT STD in the CARRIER FREQUENCY display. Pressing the INT/EXT key will toggle between internal and external standard.

When INT is selected, the frequency is controlled by an internal high stability 10 MHz crystal controlled oscillator.

When EXT is selected, an external 10 MHz* signal of at least 1 V RMS is required at the rear panel STD FREQ IN socket. The instrument will lock automatically to this signal.

**Or 1 MHz or 5 MHz after resetting an internal link – for details see Service Manual.*

Error no. 11 is displayed in the CARRIER FREQUENCY window if the input is of incorrect level (or not connected).

Error no. 12 is displayed if the input frequency is outside the locking range. This error message may also be displayed when the instrument is initially switched on until such time as the internal frequency standard synchronizing circuits have locked to the external frequency standard input. This will take approximately one minute. Subsequent reselections made when the instrument is at or near to its operating temperature will not incur this delay and therefore the error message will not then be displayed.

RF LEVEL



Press the RF LEVEL key and enter the required value including any decimal point or minus sign. The terminator keys give a choice of 3 linear units : volts, millivolts and microvolts and a logarithmic unit (decibels). These units can be further qualified by second function 14 - see page 3-15 - which offers the choice of EMF or PD and allows the logarithmic units to be expressed in dB μ V, dBmV or dBm.

The units in use will be shown on the RF level display. If the level requested is too high at the currently set AM depth then the RF level is set to the maximum available and a warning is given in the form of a flashing colon symbol (:) to the left of the RF LEVEL display.

Note ...

To convert an RF level indication from linear to log units or vice versa, simply press the new units key. For example, to convert an indication in mV to dBm press the dB key.

Reverse power protection

Accidental application of reverse power to the RF OUTPUT socket will trip the reverse power protection (RPP) unit and the REV PWR annunciator will flash on the RF LEVEL display. During this time the keyboard will not respond except to reset commands.

After the source of power has been disconnected reset the RPP by pressing the RF LEVEL function key. Attempting to reset the RPP with power still applied will result in the RPP tripping again.

When the instrument is switched OFF, the output socket is automatically disconnected from the output attenuator - a further safety feature.

Operation with 75 Ω loads

The performance specification for the instrument assumes operation into 50 Ω loads, but often it is desirable to work into mismatched loads. This is in general possible although an uncertainty of performance may be introduced. In the particular case of a 75 Ω load, this can be accurately matched for carrier frequencies up to 500 MHz by using the 50/75 Ω Impedance Adapter, Part No. 54411-051X, offered as an optional accessory. This 25 Ω series load maintains the correct (open circuit) voltage calibration and allows the reverse power protection circuit to function correctly.

MODULATION

Internal modulation source

The 1 kHz modulation source is derived from the internal frequency standard. The signal is also available as an AF output at the MOD IN/OUT socket.

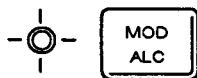


The MOD ON/OFF key controls the modulation signal in both internal and external modes.

External modulation



The instrument normally powers up in the internal mode. To select external modulation press the INT/EXT key after selecting the AM or FM/ Φ M function. This will set the EXT annunciator in the MODULATION display. Press the INT/EXT key again to return to internal modulation.



If external modulation has been selected the modulating signal can be set internally to the correct level (provided the applied voltage is between 0.9 V and 1.1 V) by pressing the MOD ALC key. If the input is outside the range of the ALC system either a HI or LO message will indicate this in the MODULATION display. Selection is indicated by the adjacent LED. The instrument will normally power up with MOD ALC off when in the external modulation mode. The modulation ALC is always on in the internal modulation mode.

Auxiliary modulation

A rear panel BNC socket (AUX MOD IN) allows an external modulation signal to be applied at the same time as the normal internal or external modulation source. A signal level of 1 V RMS at this socket will produce 20% of the indicated modulation setting. For example if the 2022C is set to produce 5 kHz deviation using the internal 1 kHz source and a 1 V RMS signal is applied to the AUX MOD IN socket the combined deviation will be 6 kHz.

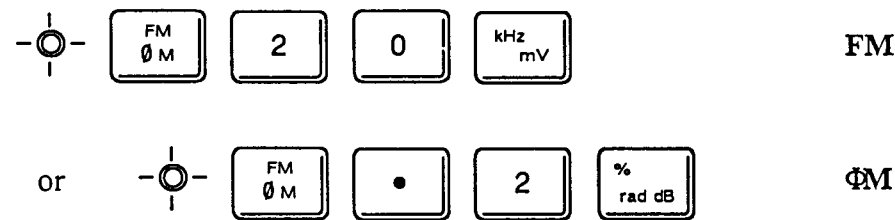
The auxiliary modulation facility is particularly useful for tests on radio receivers when a low level sub-audible signalling tone needs to be applied in addition to the normal modulation.

Amplitude modulation



Press the AM function key (unless its LED is already lit). Enter the required value of modulation depth followed by the % terminator. If the requested value of AM exceeds that allowed by the current RF level setting then the level is reset to the maximum available for the AM depth selected and a warning is given in the form of a flashing colon symbol to the left of the RF LEVEL display.

Frequency or phase modulation



Press the FM/PM function key (unless its LED is already lit). Enter the required value of deviation followed by a terminator (MHz, kHz or Hz for FM; RAD for PM).

When the first digit of a new setting is entered both FM and PM annunciators are set; pressing the terminator key removes the unwanted annunciator. To change from FM to PM or vice versa press the FM/PM key again, re-enter data and re-select the required terminator key.



To turn FM or PM off whilst still retaining the current value of entered deviation, (for example in signal-to-noise ratio measurements) press the MOD ON/OFF key. The off condition is indicated by the setting of an OFF annunciator in the MODULATION display. Entering a new value of deviation will automatically restore the modulation.

INCREMENTS

Assigning increment values

To display the current set of increment values press the orange Δ (delta) key. Unless the values have been changed as below, the following default set will be displayed.

Carrier frequency: 1 kHz
 Modulation: FM 1 kHz or Φ M 0.1 rad or AM 1%
 RF level: 1dB

To return to the normal display without affecting the current increment values press any function key twice.



To change the increment value of any function press the Δ key followed by the function key; then enter the new value and the terminator. For example to select a carrier frequency increment of 10 kHz follow the sequence shown above. FM, Φ M, AM or RF LEVEL may be similarly incremented but note that for RF LEVEL increments the only valid terminator is the dB key.

Applying increments



Each press of the \uparrow (UP) key increments the function parameter by the selected value; likewise pressing the \downarrow (DOWN) key decrements by a similar amount.

Holding the UP or DOWN key pressed results in continuous incrementing or decrementing after a delay of one second.

To change from the incrementing mode to the decrementing mode without the one second delay keep the UP key continuously pressed, allowing the instrument to increment, then press the DOWN key also. When the UP key is released the instrument will immediately decrement. Similarly, to change from down to up without delay press the UP key before releasing the DOWN key, and when the DOWN key is released the instrument will immediately increment.

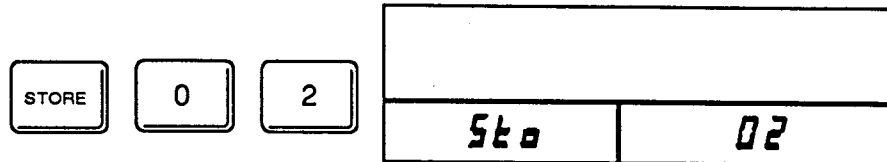


To find the total shift from the original setting press the TOTAL Δ key. While this key is pressed all the displays will show the total shift of each function from its starting value. To return to the initial value of the selected function press the RET'N key.

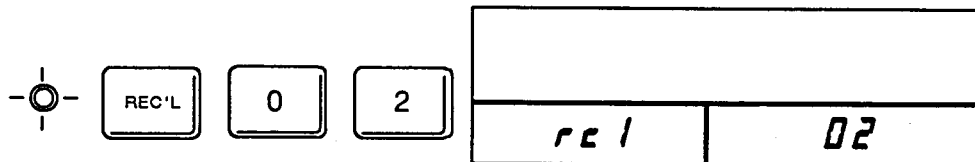


STORE AND RECALL

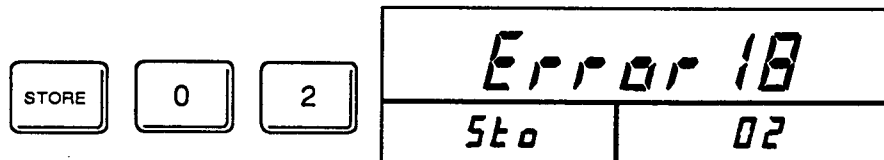
The instrument has 100 non-volatile stores available. Stores numbered 00 to 19 store complete instrument settings (including increment values). Stores 20 to 99 store settings of carrier frequency only.



To store press STORE followed by a two-digit numeric entry. Holding the last entered digit key pressed will keep the store number on the display. The command will be executed only when the key is released.



To recall press REC'L followed by the appropriate two digit numeric entry. Increment or decrement keys can then be used to sequence the recall of stores if required. Pressing the RET'N key will recall the first store selected before incrementing or decrementing took place.



If an attempt is made to store values when second function 196 (protection of store settings) is in operation, this will not succeed and error message 18 will be displayed as shown above. A list of error numbers is given on page 3-24. Also if second function 197 (display blanking) is in operation only the numerals of the stored or recalled store will be displayed in the RF LEVEL window. Further details of second functions 196 and 197 (both of which are second degree protected) are contained in the Service Manual.

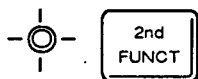
SECOND FUNCTIONS

Second function operations provide a means of controlling various secondary features and calibrations within the instrument. Access to many of these operations is generally not required during routine use of the instrument and some should only be accessed by skilled personnel during the course of realignment, fault finding or repair. There are three levels of operation as follows:

Normal operation. Second functions accessed by a single key entry (0-9) are unprotected.

First level operation. Second functions accessed by a two key entry (10-18) have first degree protection. Access to this level can be gained after operating an unlocking procedure – see 'Second function 0'.

Second level operation. Second functions accessed by a three key entry (190-199) have second degree protection and can only be accessed by the operation of a special key code. Details of the code are given in the Service Manual.



In general the second function mode is entered by pressing the blue 2nd FUNCT key followed by a number corresponding to the second function required. Pressing the 2nd FUNCT key inhibits the action of some keys, but the instrument can always be restored to its normal operating mode by pressing any of the orange function keys. This means of exit from second function operation is always safe, – it will not corrupt any data or alter any status bits, and the displays will revert to their normal functions.



No data will be permanently altered unless the STORE key is pressed. The operation of each of the secondary functions is as follows:-

Second function 0: 'Unlock'



Switching on the instrument automatically locks all second functions that have a first or second degree of protection. Access to first level operation is obtained by the UNLOCK procedure:-

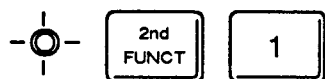
- (1) Press 2nd FUNCT and '0' keys, and note that '0' is displayed in the RF LEVEL window.
- (2) Then press the ↓ and MOD ALC keys simultaneously until '1' is displayed in the FREQUENCY window (this will take approximately 5 seconds).

The instrument will then be unlocked to enable selection of the required second function within the first level group. If the sequence is in error, or aborted part way through, the instrument will remain locked. Once unlocked the instrument remains so until either the 2nd FUNCT and '0' keys are once more pressed or until the instrument power is switched off.

Note ...

Access to all second functions is always available over the GPIB (where fitted). Access to second functions via GPIB selection should be restricted to personnel who have a full knowledge of these operations and require access to them in the course of realignment, fault finding or repair only. If inadvertent selections are made it is possible to invalidate the instrument's calibration.

Second function 1: 'Status'



Entering 2nd FUNCT followed by the numeral 1 key will result in the instrument displaying status information as shown in Fig. 3-4.

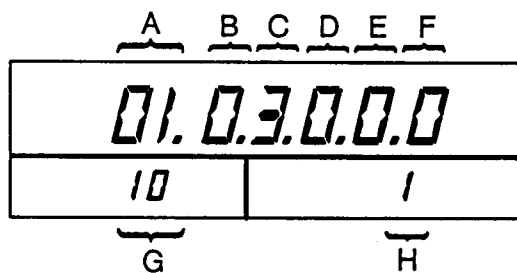


Fig. 3-4 'Status mode' display

where	A = GPIB address:	00 to 30
	B = Offsets:	'0' = off '1' = on (see second function 15)
	C = Level units code:	0 to 9 (see second function 14)
	D = Stores/offsets locking:	'0' = stores and offsets unlocked '1' = stores locked, offsets unlocked '2' = stores unlocked, offsets locked '3' = stores and offsets locked (see second function 196 in Service Manual)
	E = Display blanking of recalled stores:	'0' = off '1' = on (see second function 197 in Service Manual)

F = Protection level: '0' = unprotected
 '1' = first level
 '2' = second level

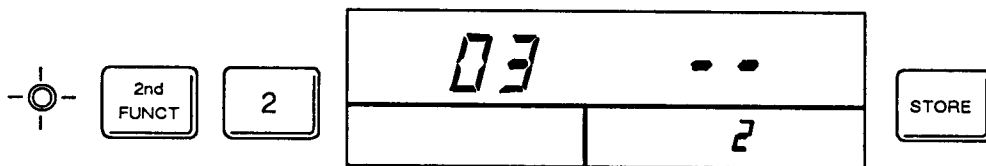
G = Ext. frequency standard: 1, 5 or 10 MHz
 (see second function 10)

H = Indication of second function number currently selected.

GPIB data output in response to QU command when the 2022A is addressed to talk gives the following string, with '^' indicating a space:-

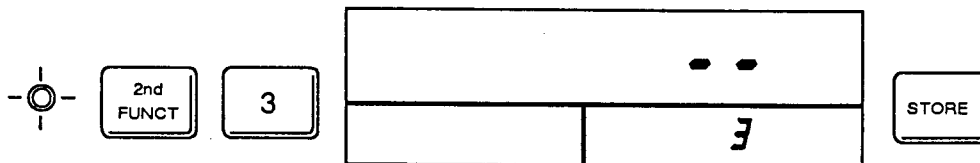
AA^B^C^D^E^F^ GG

Second function 2: 'GPIB address setting'



If the GPIB option is not fitted the sign "--" is displayed in the CARRIER FREQUENCY display; otherwise the current GPIB address is displayed. If a new address is required, this may be entered via the keyboard. Numbers rotate in from the right. When the required address is displayed pressing STORE key will, if the address is acceptable (00 - 30), replace the previous one. If the address is invalid it will be ignored and the current address re-displayed. The GPIB address is stored in the non-volatile memory.

Second function 3: 'Manual latch setting'



This function allows a 6 or 8 bit binary instruction to be directed to any of the instrument's internal latches for testing and fault finding. This facility is fully described in the Service Manual and is an invaluable aid when diagnosing internal instrument bus or latch faults. On exiting from second function 3 all latch data which may have been over-written is restored.

Second function 4: 'SRQ mask setting'

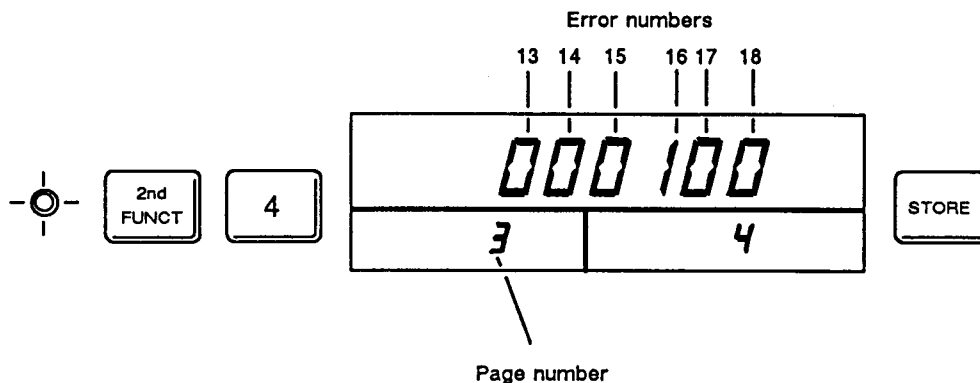


Fig. 3-5 SRQ mask setting display

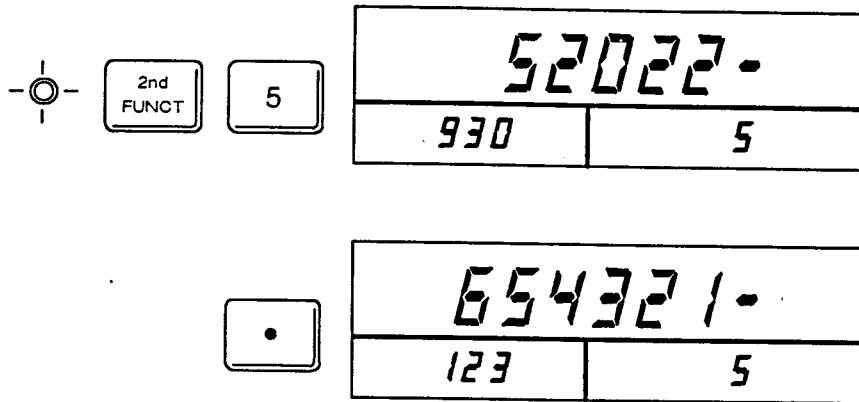
Select 2nd FUNCT followed by numeral 4. The SRQ mask allows an instruction to be made for the 2022C *not* to request service over the GPIB for particular conditions. Error numbers are listed from 1 to 18 inclusive. At switch on all error numbers are unmasked '0'. Selection of second function 4 gives a six bit binary number in the frequency display.

To access all 18 error numbers three 'pages' are required. At switch on (default mode) page 1 is selected and the page number indicated in the modulation display. Error numbers 1 - 6 are represented in the frequency display, the lowest error on the left of the display.

To move to page 2 press the '.' (decimal point) key; the MODULATION display now indicates page 2 and error numbers 7 - 12 are represented from left to right. Again press the decimal point to give access to page 3 representing error numbers 13 - 18. Pressing the decimal point a further time will return you to page 1.

Ones and zeros are entered via the keyboard and rotate in from the right. Enter a bit '1' to mask the desired error and when in position press the STORE key. For more information on the significance of each digit see the paragraph - Error numbers (page 3-24). Fig. 3-5 shows the mask set to ignore a GPIB bus error (Error No. 16).

Second function 5: 'Read identity string'

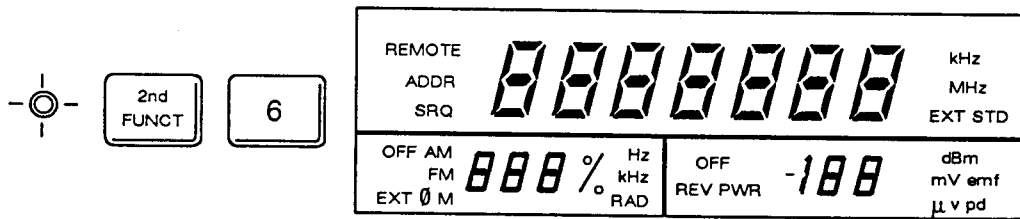


Selection of this facility enables you to confirm the instrument type number, then after pressing the decimal point, its serial number e.g. 52022-930, Ser. No. 654321-123. If QU command is sent via the optional GPIB interface the following string is put into the output buffer:

52022-930 001 654321-123

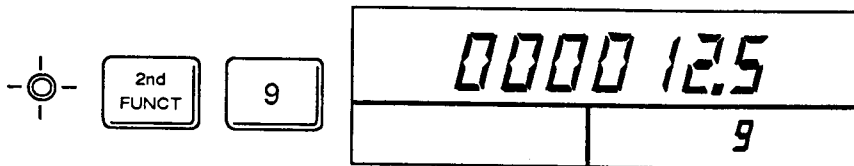
Software issue number (001), although not displayed, is inserted between type and serial number in the string.

Second function 6: 'Test display'



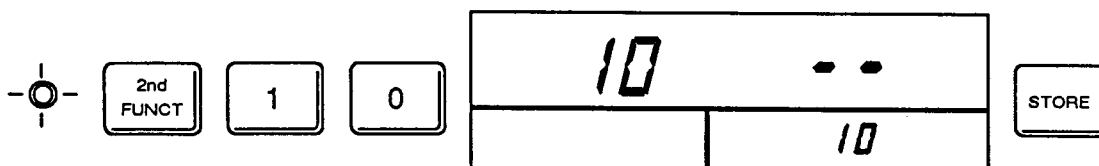
Select 2nd FUNCT followed by numeral 6. All display components are then set to give confirmation of the back-plane drive and LED operation, and also the CMOS logic and LCD segments on the CARRIER FREQUENCY, MODULATION and RF LEVEL displays.

Second function 9: 'Read elapsed time'



This facility enables you to observe the total number of instrument running hours from the last reset. It may be used to indicate, for instance, calibration intervals. The elapsed time is as shown above and has a resolution of 0.5 h. Display characters are not updated while being viewed. The elapsed time can be reset to zero – see Service Manual for details.

Second function 10: 'Record external frequency standard choice'



This facility enables the choice of external frequency standard (1, 5 or 10 MHz as set by the position of the internal link) to be recorded and displayed in the status display mode second function 1. Unlock the instrument to the first level of operation by means of the unlocking procedure – see second function 0. Then select 2ND FUNCT 10 followed by numeral(s) 1, 5 or 10 as appropriate and the STORE key.

Note ...

This function merely records, but does not change, the frequency accepted.

Second function 11: 'Read identity string'



This facility is the same as second function 5 and provides identical display features but is first degree protected. Unlock the instrument to the first level of operation by means of the unlocking procedure – see second function 0. Then select 2nd FUNCT followed by numerals 11.

The purpose of second function 11 is to provide compatibility with Signal Generator 2018A where an identical second function 11 facility allows commonality with GPIB controller instructions. As described in second function 5, if QU is sent via the GPIB the following string is placed in the output buffer, e.g. 52022-930 001 654321-123, to confirm the instrument type, software issue and serial number.

Second function 12: 'Write user definable string'

This is a GPIB only facility which enables you to store a string of up to 32 ASCII characters in a non-volatile memory. The second function number is displayed in the RF LEVEL display. Up to 31 ASCII characters can be accepted and then terminated by <lf>. Follow this with ST command to store,

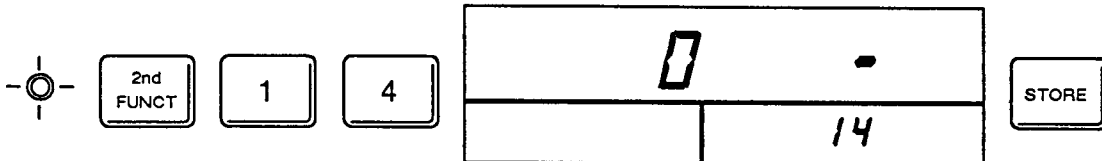
e.g. SF12 – This is a user-defined string <cr> <lf> ST
would store 'This is a user-defined string'.

If an attempt is made to store too many characters then <lf> is automatically inserted as the 32nd.

Second function 13: 'Read user definable string'

This facility provides a means of reading back data set by means of SF12 write facility and is again a bus only facility. The second function number is displayed in the RF LEVEL display and in response to QU command places the user defined string into the GPIB output buffer.

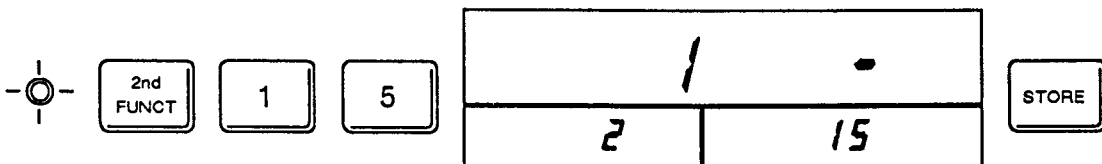
Second function 14: 'RF level units setting'



Unlock the instrument to the first level of operation by means of the unlocking procedure – see second function 0. Then select 2nd FUNCT followed by the numerals 1 and 4. On entering second function 14 a digit is displayed in the FREQUENCY window as shown above. This is the code number for the current RF level units, as shown in the table below. To change the units press the new unit code number. Then press STORE to terminate the entry.

Unit code	Logarithmic unit	Linear unit
0	dBmV EMF	} EMF
1	dB μ V EMF	
2	dBmV PD	
3	dB μ V PD	
4	dBm	} PD
5	dBmV EMF	
6	dB μ V EMF	
7	dBmV PD	
8	dB μ V PD	
9	dBm	

Second function 15: 'RF level offsets'



In addition to the standard calibration for RF output level, the instrument has a capability for overall level adjustment to facilitate matching with other equipment. The output level can be raised or lowered by approximately 2 dB in the offset mode. First select a carrier frequency within the chosen band followed by a suitable RF level.

Complete the unlocking procedure – see second function 0. Then select 2nd FUNCT followed by numerals 1 and 5. There are three carrier frequency bands, <250 MHz, 250–500 MHz and 500–1000 MHz, which are identified in the modulation display as 1, 2 or 3 respectively. One offset value may be set for each frequency band.



Selection of offsets 'on' is made with the numeral 1 key, or 'off' with the 0 key. Indication of the selected state is shown with either 1 or 0 in the CARRIER FREQUENCY display. Either terminate the selection by pressing the STORE key, or before doing so set a value of offset in the following manner.

Ensure offset 'on' (1) is selected and then press the ↑ (UP) key or the ↓ (DOWN) key to increment or decrement the RF level by 0.1 dB. Each successive operation of the key will increment/decrement the RF by a further 0.1 dB. When sufficient offset has been determined press the STORE key to terminate the selection which will, together with the offsets 'on' selection, remain valid until further adjustment is made.

Note ...

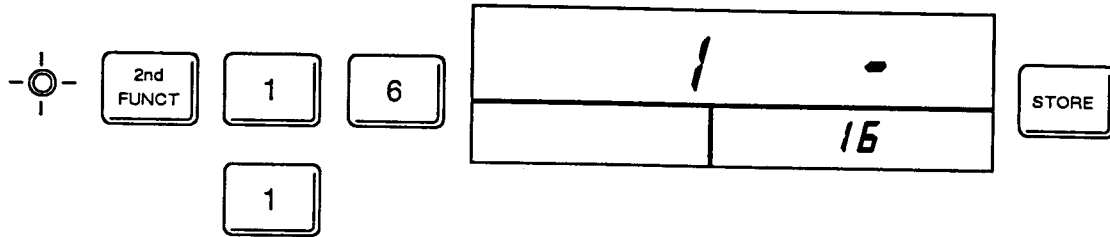
If error 18 appears while setting offsets, this indicates that the offset store has been protected by second function 196.

If an offset value of +0.1 dB is selected when the instrument is set to the limit of its operating range, i.e. +13 dBm or equivalent, a maximum RF level of +12.9 dBm will be displayed (a further +0.1 dB offset increment will decrease this to +12.8 dBm).

Note ...

When an offset value has been selected and stored it will remain valid for all subsequent power on sequences. RF level accuracy of the instrument may therefore be impaired and care should be taken to account for this.

Second function 16: 'Recall STORE 10 at switch on'



This facility allows the instrument to be operated in a remote or unattended location with a pre-selected set of conditions which will remain unchanged in the event of inadvertent switching off and on of the input supply voltage. If this were to happen in the normal operating mode, the instrument would resume the initial operating mode, that is CARRIER FREQ 1000 MHz, INT MOD, no MODULATION and minimum RF LEVEL (-127 dBm or equivalent). These conditions can be superseded by storing the required operating conditions in STORE 10 and carrying out an automatic recall of the STORE 10 settings using the second function 16 mode.

- (1) First select the required CARRIER FREQ, MODULATION and RF LEVEL settings at the keyboard.
- (2) Press the STORE key followed by the numerals 10.
- (3) Complete the first level unlocking procedure - see second function 0. Then select 2nd FUNCT and numerals 1 and 6. Follow this by selecting the recall store 10 mode (numeral 1). Finally press the STORE key to terminate the entry.

If the supply voltage is interrupted and then restored, the instrument will automatically carry out a RECALL 10 instruction and reset to the STORE 10 conditions previously set. To disable the facility first unlock the instrument to first level operation, select 2nd FUNCT 16 followed by the numeral 0, and finally the STORE key. If second function 197 is in use all information normally shown on the front panel will be blanked. Details of this facility are given in the Service Manual.

Second functions 190 - 199: (Second level operation)

The following facilities all have second degree protection. Further information on these and details of the special key code used to unlock to this level are contained in the Service Manual.

Second Function	Facility
190	Identity string setting
191	FM tracking calibration
192	RF level calibration
193	Voltage tuned filter (VTF) calibration
194	AM calibration
195	Set checksum
196	Protection of store and offset settings
197	Display blanking of recalled stores
198	Read total instrument operating time
199	Reset elapsed time

GPIB FUNCTIONS

The GPIB interface, which is an optional accessory, allows the instrument to be coupled to a controller. The essential purpose of the GPIB function is described below. Further information on the general features and applications of the GPIB system can be obtained from 'The GPIB Manual' offered as an optional accessory.

The 2022C has both talker and listener capabilities. One address is used for both talking and listening and is set via the front panel or via the GPIB using second function 2. The instrument can request service (assert SRQ) on certain error conditions under the control of an SRQ mask which is set using second function 4.

SH1 : Source handshake (complete capability)

The source handshake sequences the transmission of each data byte from the instrument over the bus data lines. The sequence is initiated when the function becomes active, and the purpose of the function is to synchronize the rate at which bytes become available to the rate at which accepting devices on the bus can receive the data.

AH1 : Acceptor handshake (complete capability)

The acceptor handshake sequences the reading of the data byte from the bus data lines.

T6 : Talker function (no talk only function)

The talker function provides the 2022C with the ability to send device dependent messages over the bus to the controller. The ability of any device to talk exists only when it has been addressed as a talker.

L4 : Listener function (no listen only function)

The listener function provides a device with the ability to receive device dependent messages over the bus. The capability only exists where the device is addressed to listen via the bus by the controller.

SR1 : Service request function (complete capability)

The service request function gives the 2022C the capability to inform the controller when it requires attention.

RL1 : Remote/local function (complete capability)

The remote/local function allows the 2022C to be controlled either by the local front panel keys or by device dependent messages over the bus.

DC1 : Device clear function (complete capability)

Device clear is a general reset and may be given to all devices in the system simultaneously (DCL) or only to addressed devices (SDC). 2022C resets to the default power-up mode, that is:

OPERATION

Maximum carrier frequency (1000 MHz)

No AM, FM or Φ M

Minimum RF level (-127 dBm or equivalent)

Internal modulation

Increment settings:

Carrier frequency: 1 kHz

Modulation: 1 kHz FM, 0.1 rad Φ M or 1% AM

RF level: 1 dB

Note...

The instrument settings following Device Clear on Selective Device Clear are not affected by the settings of second functions 16 or 197.

Before these conditions are set, a checksum is calculated for the calibration data (FM tracking and RF level) and referred to a number held in the non-volatile memory. If this test of calibration validity fails, the instrument responds by asserting SRQ. The status byte will contain the error number 7 to signal a calibration data fault in addition to the 'SRQ asserted' bit. In order to continue with the device clear (and normal operation thereafter) the instrument must be restarted by sending any valid instruction code (e.g. "CF"). This serves only as a reset and will not be interpreted in the normal way.

E1 : Open collector drivers

The GPIB drivers fitted to 2022C have open collector, rather than tristate, outputs.

Setting the GPIB address

The instrument's talk/listen address is selected by means of second function 2. Acceptable addresses (00 to 30) can be set by this means and the instrument's internal address register will be updated by reading the address at power-on and on receipt of a device clear message. The current GPIB address is shown in the frequency display window when the interface is correctly installed.

GPIB programming codes

Functions	Miscellaneous functions
CF Carrier frequency	ST Store } followed by a
FM Frequency modulation	RC Recall } number 00-99
AM Amplitude modulation	IS Internal freq. standard
PM Phase modulation	XS External freq. standard
LV RF level	IM Internal modulation
DE Delta (Increment/Decrement)	XM External modulation
SF Second function (see note on page 3-11)	C0 Carrier off
RS Reset RPP	C1 Carrier on
QU Query - send current function setting to GPIB buffer	UP Increment up
	DN Increment down
	RT Return

Units		MOD OSC/ALC	
MZ	Megahertz	VL	Volts
KZ	Kilohertz	MV	Millivolts
HZ	Hertz	UV	Microvolt
PC	Percentage	DB	Decibel
RD	Radians		
		L0	Mod ALC off
		L1	Mod ALC on
		M0	Mod off
		M1	Mod on

Listening function

The 2022C is remotely controlled over the GPIB by strings of two-character codes and digits sent in upper case ASCII format. Where possible these codes correspond directly to the front panel keys; however, where the normal front panel control requires a knowledge of the previous state of the instrument (e.g. toggling controls such as on/off), special codes are provided to simplify programming.

In order to improve the readability of control strings, the codes may be separated by commas or spaces after each code pair or data group. These are ignored by the instrument. When data is entered, the syntax is the same over the GPIB as that used in control from the front panel. For example to enter a complex string of instructions such as a carrier frequency of 123.45 MHz with an increment of 25 kHz and an RF level of 1.2 μ V the string can be sent as follows:

“CF 123.45 MZ, DE CF 25 KZ, LV 1.2 UV”.

Similarly, if it is required to change the RF level units setting to dBm (second function 14, level unit code 4), the following string should be sent:

“SF 14,4, ST”.

Selection of a second function via the GPIB will result in a display of the SF number being shown in the instrument's RF LEVEL display.

The MOD ON/OFF, CARR ON/OFF and INT/EXT controls operate on the function currently active for data entry. This may be specified, e.g. “FM M1”; “AM XM” or implied, e.g. “FM 1.5 KZ, IM” but it is recommended that the function is specified within the string to ensure that the string will always have the same result.

Talking function

On receipt of the QU command the current function setting (e.g. CF,FM) is transferred to the GPIB output buffer in a format corresponding to the GPIB commands needed to set the instrument to the current state. RF level will be displayed in log. or linear units but without a specific reference since this information cannot be re-entered directly. Increment settings are also available if QU is sent whilst in DELTA mode with a current function LED lit. The following tables give the format for each type of string.

TABLE 3-1 MODULATION STRING (16 characters)

Number of characters in field						
2	2	4	2	2	2	2
DE **	FM PM AM	3 digits or leading spaces plus decimal point or space	MZ KZ HZ PC RD	M0 M1	IM XM	L0 L1 **

* Represents a space which is used when the field has no relevance such as the levelling field when internal modulation is selected.

e.g. DE FM 1.00 KZ M1 IM **

TABLE 3-2 FREQUENCY STRING (17 characters)

Number of characters in field				
2	2	9	2	2
DE **	CF	7 digits or leading spaces plus decimal point or space	MZ KZ	IS XS

e.g. ** CF 123.4567 MZ IS

TABLE 3-3 RF LEVEL STRING (14 characters)

Number of characters in field						
2	2	1	1	4	2	2
DE **	LV	- *	1 0 *	3 digits or leading spaces plus decimal point or space	DB VL MV UV	C0 C1

e.g. ** LV * 100.0 MV C1

The external modulation input level status indicated by the modulation window HI and LO is also accessed. The current status, if outside the specified limit, is transferred to the GPIB output by means of an error message:

Error No. 9 – input too low
Error No. 10 – input too high

Requesting a string to be output will overwrite any string data waiting to be sent. Addressing the instrument to talk without specifying a string to be sent or re-addressing to talk after a string has been completed will result in an error (and SRQ if not masked).

SF1, QU Status string

When accessed by SF1, QU the status of the instrument is sent to the controller, each data field being delimited by one space in the following format:-

XX	X	X	X	X	X	X
GPIB	OFFSETS	LEVEL	STORES	DISPLAY	PROTECTION	FREQ STD
ADDRESS	ON/OFF	UNITS	OFFSETS	BLANKING	LEVEL	1,5 or
		CODE	LOCKING			10 MHz

GPIB address:	00 to 30
Offsets:	'0' = off '1' = on
Level units code	0 to 9 (see second function 14)
Stores/offsets locking:	'0' = stores and offsets unlocked '1' = stores locked, offsets unlocked '2' = stores unlocked, offsets locked '3' = stores and offsets locked (see second function 196 in Service Manual)
Display blanking of recalled stores:	'0' = off '1' = on (see second function 197 in Service Manual)
Protection level:	'0' = unprotected '1' = first level '2' = second level
Ext. frequency standard:	1, 5 or 10 MHz (see second function 10)

SF11, QU Identity string (read only)

The identity string accessed by SF11, QU allows instrument type number, software issue number and serial number to be read by the controller. The information is stored in non-volatile memory. The string is displayed as described in second function 11. Each data field is delimited by one space.

SF12, User string write facility

Up to 32 ASCII characters can be stored in non-volatile memory by the user. This bus only facility is useful for recording such information as the date the next calibration is due, test gear numbers etc. The string is terminated by the LINEFEED character <lf>, (ASCII code 10) which is included as the last character stored. If an attempt is made to store too many characters then <lf> is automatically inserted as the 32nd.

SF13, QU User string read facility

This facility provides a means of reading back data set by means of SF12 write facility and is again a bus only facility.

Service requests (SRQ)

The 2022C can request service to warn the controller of certain error conditions. In response to a serial poll after asserting the SRQ line, the 2022C will provide a status word (8 bits) in which bit 6 is set to indicate an SRQ request and the first five bits (0 to 4) indicate an error number. The error number is also displayed briefly in the carrier frequency window. Errors 06 and 08 will result in the instrument not functioning. Error 07 can be overridden with a restart command (any function code or digit).

Error numbers

No.	Error condition	Action taken
00	NO ERROR	
01	REQUEST OUTSIDE LIMITS	
02	INCORRECT KEY CODE SEQUENCE	
03	TOO MANY DIGITS	
04	INCORRECT UNIT	
05	RPP TRIP	Wait for reset instruction (RS)
06	RAM CHECK FAILURE (IC9)	
07	EAROM CHECKSUM FAILURE (IC10)	Wait for restart instruction (any function code or digit)
08	EPROM CHECKSUM FAILURE (IC5-IC8)	
09	EXTERNAL MODULATION OUTSIDE ALC RANGE (LOW)	
10	EXTERNAL MODULATION OUTSIDE ALC RANGE (HIGH)	
11	EXT STD SELECTED BUT NOT APPLIED	None

No.	Error condition	Action taken	
12	EXT STD FREQ NOT LOCKING	None	
13	LATCH WRITE ERROR		
14	EAROM WRITE ERROR		
15	EAROM RECALL ERROR		
16	GPIB BUS ERROR		
17	UNRECOGNIZED GPIB MNEMONIC/ CHARACTER		
18	ATTEMPT TO WRITE TO PROTECTED STORE		
			Ignore both characters: e.g. if the string "P,CF,M0" was received, the P,C would result in error 17 being displayed and the rest of the string would be inter- preted as "FM,0".

SRQ mask

The SRQ response to the errors listed above can be suppressed by setting a 3-page 6-bit mask, via second function 4. The bits of the mask refer directly to the errors, i.e. the left-most bit set indicates no response to error 1, the second from left no response to error 2, etc.

The mask is displayed by selection of second function 4, and may be changed by entering '1's and '0's via the keyboard. The STORE key is pressed to finalize a change. The SRQ mask is not stored in the non-volatile memory when power is removed. When the instrument is initially switched on the mask is set to all '0's.

Reverse power protection

When tripped by an overload applied to the RF OUTPUT socket, the GPIB SRQ line is asserted, and the status byte (obtainable by the controller conducting a serial poll) will contain the value 69 (decimal). The RPP can be reset via the bus by sending the RS command.

Note ...

If error 05 has been masked using second function 4 the service request action will not be initiated.

Clear, switch on, and return to local

SDC and DCL clear 2022C to the following state:-

Maximum carrier frequency (1000 MHz)

No AM, FM or Φ M

Minimum RF level (-127 dBm or equivalent)

Internal modulation

Increment settings:

Carrier frequency: 1kHz

Modulation: 1 kHz FM, 0.1 rad Φ M or 1% AM

RF level: 1 dB

To revert from GPIB to front panel control, press the RET'N key.

OPERATION

If a local lock out command has been given the RET'N key operation will be ignored.

Notes ...

- (1) INT/EXT frequency standard selection, the GPIB address and instrument stores are unaffected by the SDC and DCL commands.
- (2) Switching on clears the 2022C to the same state as SDC or DCL unless 'Recall STORE 10 at switch on', conditions apply.

Chapter 4

BRIEF TECHNICAL DESCRIPTION

Frequency synthesizer and signal processing

2022C is a synthesized AM, FM or phase modulated signal generator covering a frequency range of 10 kHz to 1 GHz. Frequencies in the range 250 to 500 MHz are generated from two voltage controlled oscillators. In the range 62.5 to 250 MHz signal frequencies are obtained by divider circuits and in the range 10 kHz to 62.5 MHz by a beat frequency oscillator system. A frequency doubler is used to cover the band 500 to 1000 MHz.

The output frequency is phase locked to a frequency standard and frequencies up to 100 MHz can be set to a resolution of 10 Hz. Above 100 MHz the resolution is 100 Hz. A fractional division scheme allows this resolution to be obtained whilst still keeping the phase locked loop bandwidth reasonably high. Provision is also made for the use of an external frequency standard when this is preferred. Frequencies of 10, 5 or 1 MHz can be used depending on the position of an internal link.

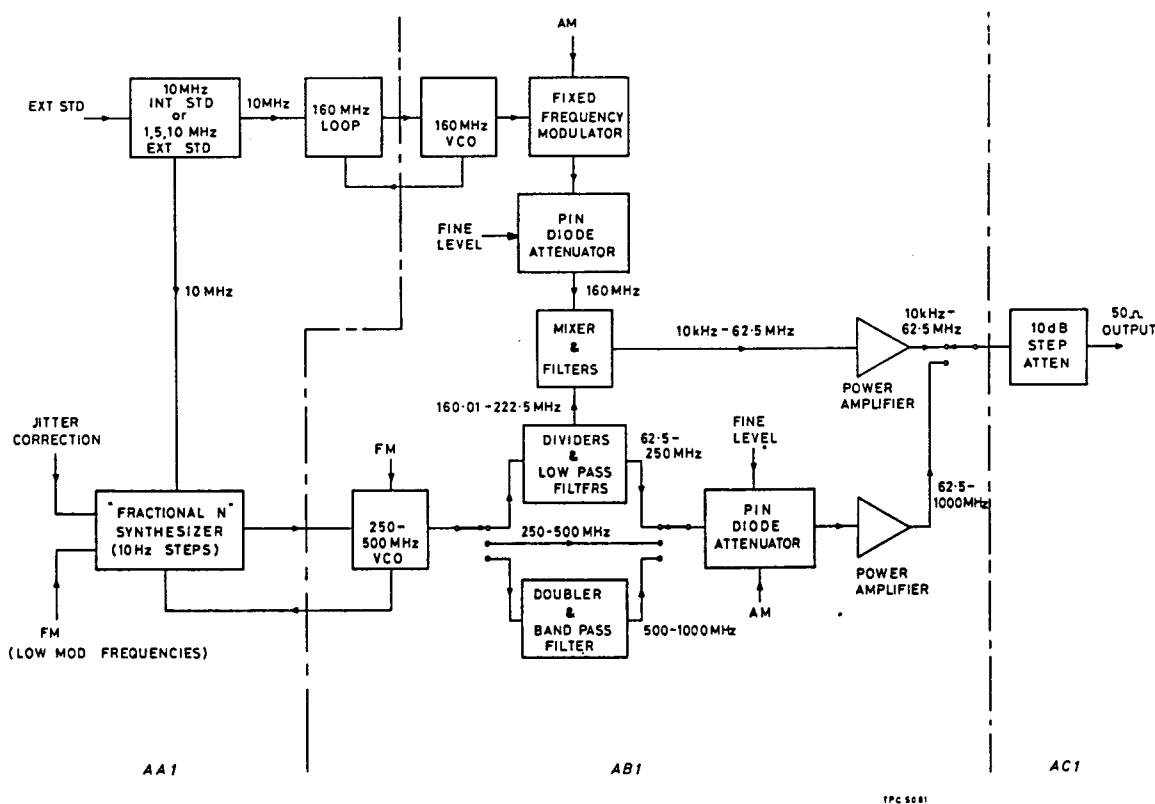


Fig. 4-1 Block schematic diagram

Output

Calibrated output levels from -127 dBm to +13 dBm are provided. A combination of ten output level calibration units can be selected on the front panel. The RF output level can be set to a resolution of 0.1 dB over the entire output voltage range with a total cumulative accuracy of ± 2 dB. A precision attenuator provides 120 dB in 10 dB steps and is a self contained module. Three 30 dB, one 20 dB and one 10 dB pad are used, each operated by TOS relays. 16 dB of fine level control is provided by PIN diode attenuators.

Modulation

Amplitude, frequency and phase modulation can be provided internally from a 1 kHz modulation source which is derived from the internal frequency standard.

Amplitude modulation. For carrier frequencies greater than 62.5 MHz, modulation depths up to 80% are obtained using PIN diode attenuators and envelope feedback. At carrier frequencies less than 62.5 MHz a fixed frequency modulator operating at a frequency of 160 MHz allows up to 95% depth of modulation. AM is DC coupled.

Frequency modulation. FM is created by applying the modulation signal to varactor(s) in the 250 to 500 MHz oscillator. Simultaneous modulation of the reference frequency prevents fall off in response below the loop bandwidth. FM off (CW mode) gives the lowest residual FM noise. The low frequency response is tailored to optimize the modulation accuracy of low frequency square waves.

Phase modulation. This is obtained using a differentiator in the modulation signal path and then applying the treated signal in the same manner as for FM.

Modulation signal ALC. This is always in circuit when internal modulation is in use and may be selected when switched to external modulation. The circuit uses a JFET and allows up to 10% error in a 1 V input before a HI or LO message in the modulation display indicates that the applied modulation signal level is outside the range of the ALC.

Control

Front panel operation is carried out by direct entry of required settings via the keyboard. Microprocessor control ensures flexibility, simplicity of use and allows programming by the General Purpose Interface Bus (GPIB). This facility is offered as an optional accessory enabling the instrument to be used both as a manually operated bench mounted instrument or as part of a fully automated test system.

INDEX

	Page
A	
AC supply connection	2-1
Accessories	1-10
Amplitude modulation	3-7
Auxiliary modulation	3-7
C	
Carrier frequency setting	3-4
Carrier on/off	3-4
Connecting to supply	2-1
D	
Display blanking	3-3
F	
Features	1-1
Frequency standard int/ext	3-5
Frequency modulation	3-7
Front panel controls... ..	3-1
Functional description	4-1
Fuses	2-2
G	
General purpose interface bus (GPIB)	3-19
Address setting	3-20
Connector pin assignments	2-4
Error numbers	3-24
Interface fitting	2-3
Listening function	3-21
Programming codes	3-20
Return to local command	3-25
Service requests	3-24
Strings	3-23
Talking function	3-21
I	
Increments	3-8
M	
Modulation ALC	3-7
Modulation int/ext	3-7
O	
Operating precautions	iv
P	
Performance data	1-2
Phase modulation	3-7
Preparation for use	3-3
Principles of control... ..	3-1

	Page
R	
Rack mounting	2-5
Rear panel layout	3-2
Reverse power protection	3-5
RF level setting	3-5
S	
Safety precautions	iv
Safety testing	2-2
Second functions	3-10
GPIB address setting	3-12
Manual latch setting	3-12
Read elapsed time	3-14
Read identity string	3-14, 3-15
Read user definable string	3-16
Recall STORE 10 at switch on	3-18
Record ext. freq. std. choice	3-15
RF level offsets	3-16
RF level units setting	3-16
Second level operation	3-18
SRQ mask setting	3-13
Status	3-11
Test display	3-14
Unlock	3-10
Write user definable string	3-15
Store and recall	3-9
Switching on	3-3
U	
Unpacking and repacking	2-1
75 Ω load operation	3-6

LIST OF TABLES

TABLE

3-1 GPIB modulation string	3-22
3-2 GPIB frequency string	3-22
3-3 GPIB RF level string	3-22

LIST OF FIGURES

Fig.

1-1 10 kHz to 1 GHz Signal Generator 2022C	1-1
1-2 Case dimensions	1-9
2-1 Voltage ranges, showing switch positions	2-2
2-2 GPIB interconnections	2-4
2-3 GPIB connector contact assignments	2-4
2-4 Single unit rack mounting	2-5
2-5 Twinned unit rack mounting	2-5

								Page
3-1	Front panel controls	3-1
3-2	Rear panel layout	3-2
3-3	Switch-on displays	3-3
3-4	Status mode display	3-11
3-5	SRQ mask display	3-13
4-1	Block schematic diagram...	4-1

MARCONI INSTRUMENTS LIMITED

UK

Service Division
The Airport
LUTON
Bedfordshire LU2 9NS
Telephone: (0582) 33866
Telex: 825248

Head Office:
Longacres
ST. ALBANS
Hertfordshire AL4 0JN
Telephone: (0727) 59292
Telex: 23350
Fax: (0727) 57481 (Gp.3)

FRANCE

MARCONI INSTRUMENTS
18 Rue du Plessis-Briard, Le Canal
Courcouronnes
91023 EVRY
Telephone: (16) 077 90 66
Telex: 690428
Fax: (16) 077 69 22

WEST GERMANY

MARCONI MESSTECHNIK GmbH
Landsberger Strasse 65
Postfach 1929
8034 GERMERING
Telephone: (089) 84 93 60
Telex: 5212642
Fax: (089) 8419142 (Gp.3)

SPAIN

MARCONI INSTRUMENTOS S.A.
General Yague 6 bis-5
28020 MADRID
Telephone: (1) 4550391
4550585
Fax: (1) 4551922 (Gp. 3)

USA

MARCONI INSTRUMENTS
3 Pearl Court
Allendale Park
ALLENDALE
New Jersey 07401
Telephone: (201) 934 9050
Telex: 6853077 MIUSA
Twx: (710) 991 9752
Fax: (201) 934 9229

10 kHz – 1 GHz AM/FM SIGNAL GENERATOR 2022C

Part No. 52022-930X

AMENDMENT RECORD

The following amendments are incorporated in this manual.

Amendment No.	Date	Issued at Serial number
Am. 1	Apr. 88	119055
Am. 2	Apr. 89	119062
Am. 3	July 89	119067
Am. 4	Aug. 90	119115

© Marconi Instruments Ltd. 1987

No part of this book may be reproduced or transmitted in any form or by any means, electronic or mechanical, including photocopying, or recorded by any information storage or retrieval system, without permission in writing by Marconi Instruments Ltd.

Printed in the UK

Part No. 46881-847B
Print code : E-8/90, 0.5c

CONTENTS

	Page
Preface	iii
Servicing precautions	iv
Chapter 1 General information	} See Operating Manual
Chapter 2 Installation	
Chapter 3 Operation	
Chapter 4 TECHNICAL DESCRIPTION	4-1
Chapter 5 MAINTENANCE	5-1
Chapter 6 REPLACEABLE PARTS	6-1
Chapter 7 SERVICING DIAGRAMS	7-1
Chapter 8 MODIFICATIONS and SUPPLEMENTS	

ASSOCIATED PUBLICATIONS

	Part No.
Operating Manual, H 52022-930X Vol. 1	46881-846R
Operating Summary card	46881-851K

PREFACE

WARNINGS, CAUTIONS AND NOTES

These terms have specific meanings in this manual:-



WARNINGS contain information to prevent personal injury.

CAUTIONS contain information to prevent damage to the equipment.

Notes contain important general information.

HAZARD SYMBOLS

The meaning of hazard symbols appearing on the equipment is as follows:-

Symbol	Nature of hazard	Reference in manual
	Static sensitive device	Page (v)
	Component contains Beryllia	Page (v)

MANUAL AMENDMENT STATUS

Each page bears the date of the original issue or the code number and date of the latest amendment (Am. 1, Am. 2 etc.). New or amended material of technical importance introduced by the latest amendment is indicated by triangles positioned thus >.....< to show the extent of the change. When a chapter is reissued the triangles do not appear. Any changes subsequent to the latest amendment state of the manual are included on inserted sheets coded C1, C2 etc.

SECURITY NOTICE

Second functions are grouped into three levels of operation. Access to the first two groups, Normal and First level operation can be freely gained by carrying out the unlocking procedures described in both Operating Manual and Service Manual. Details for accessing the Second level operation however are only included in the Service Manual. Some user units may wish to further restrict the distribution of this information to selected calibration areas only. To enable this, Chapter 4 includes alternative pages 45a/46a which have the unlocking procedure deleted. Users may then withdraw either pages 45/46 or 45a/46a as required.

SERVICING PRECAUTIONS

This product has been designed and tested in accordance with IEC Publication 348 - 'Safety Requirements for Electronic Measuring Apparatus'. To keep it in a safe condition and avoid risk of injury, the precautions detailed in the WARNINGS below should be observed. To avoid damage to the equipment the precautions detailed in the CAUTIONS should also be observed.

WARNING - ELECTRICAL HAZARDS

AC supply voltage. This equipment conforms with IEC Safety Class 1, meaning that it is provided with a protective earthing lead. To maintain this protection the mains supply lead must always be connected to the source of supply via a socket with an earthing contact. Make sure that the earth protection is not interrupted if the supply is connected through an extension lead or an autotransformer.

Before fitting a non-soldered plug to the mains lead cut off the tinned end of the wires, otherwise cold flowing of the solder could cause intermittent contact.

Do not use the equipment if it is likely that its protection has been impaired as a result of damage.

Fuses. Note that there is a supply fuse in both the live and neutral wires of the supply lead. If only one of these fuses should rupture, certain parts of the equipment could remain at supply potential.

Make sure that only fuses of the correct rating and type are used for replacement. Do not use mended fuses or short-circuited fuse holders.

To provide protection against breakdown of the supply lead, its connectors (and filter if fitted), an external supply fuse with a continuous rating not exceeding 6 A should be used in the live conductor (e.g. fitted in the supply plug).

Removal of covers. Disconnect the supply before removing the covers so as to avoid the risk of exposing high voltage parts. If any internal adjustment or servicing has to be carried out with the supply on, it must only be performed by a skilled person who is aware of the hazard involved.

Remember that capacitors inside the equipment, including any supply filter capacitors, may still be charged after disconnection of the supply. Those connected to high voltage points should be discharged before carrying out work inside the equipment.

WARNING - OTHER HAZARDS

Parts of this equipment are made from metal pressings, therefore it should be handled with due care to avoid the risk of cuts or scratches.

Some of the components used in this equipment may include resins and other materials which give off toxic fumes if incinerated. Take appropriate precautions, therefore, in the disposal of these items.

This equipment has a lithium battery which if incorrectly handled could cause a danger to health or safety - refer to the Service Manual for safe handling precautions.

Beryllia (Beryllium Oxide) is used in the construction of the following components in this equipment.

UNIT AB1/1 : Transistor TR20

This material, when in form of fine dust or vapour and inhaled into the lungs, can cause a respiratory disease. In its solid form, as used here, it can be handled quite safely although it is prudent to avoid handling conditions which promote dust formation by surface abrasion.

Because of this hazard, you are advised to be very careful in removing and disposing of these components. Do not put them in the general industrial or domestic waste or despatch them by post. They must be separately and securely packed and clearly identified to show the nature of the hazard and then disposed of in a safe manner by an authorized toxic waste contractor.

CAUTION – LCD HANDLING

When operating or servicing this equipment take care not to depress the front or rear faces of the display module as this may damage the liquid crystal display elements.

CAUTION – STATIC SENSITIVE COMPONENTS

Components identified with the symbol Δ on the circuit diagrams and/or parts lists are static sensitive devices. The presence of such devices is also indicated in the equipment by orange discs, flags or labels bearing the same symbol. Certain handling precautions must be observed to prevent these components being permanently damaged by static charges or fast surges.

- (1) If a printed board containing static sensitive components (as indicated by a warning disc or flag) is removed, it must be temporarily stored in a conductive plastic bag.
- (2) If a static sensitive component is to be removed or replaced the following anti-static equipment must be used.

A work bench with an earthed conductive surface.

Metallic tools earthed either permanently or by repeated discharges.

A low-voltage earthed soldering iron.

An earthed wrist strap and a conductive earthed *seat cover* for the operator, whose *outer clothing* must not be of man-made fibre.

- (3) As a general precaution, avoid touching the leads of a static sensitive component. When handling a new one, leave it in its conducting mount until it is required for use.
- (4) If using a freezer aerosol in fault finding, take care not to spray programmable ICs as this may affect their contents.

Chapter 4

TECHNICAL DESCRIPTION

CONTENTS

Para.	
1	Introduction
2	Overall technical description
2	Frequency synthesizer and signal processing
4	Output
5	Modulation
11	Control
14	Synthesizer board (AA1)
14	250 – 500 MHz synthesis
36	BFO phase locking
38	Crystal oscillator (internal/external locking)
42	Angle modulation at low frequencies
45	1 kHz internal modulation tone
46	Microprocessor board (AA2)
47	Microprocessor (IC2)
50	Address decoding
52	Serial bus transceiver
53	Data transmission
57	Data reception
59	Memory
62	Timer
64	Memory protection
66	Synthesizer driver
68	RF processing board (AB1/1)
69	VCO system (250 – 500 MHz)
74	Frequency dividers (62.5 – 250 MHz)
82	Frequency doubler (500 – 1000 MHz)
85	HF output stage (62.5 – 1000 MHz)
88	BFO system and LF output stage (10 kHz – 62.5 MHz)
99	Power supply/control (A0/1 and A2/1)
100	Power supplies
110	Digital control section
121	Analogue control
128	Amplitude modulation above 62.5 MHz
134	Amplitude modulation below 62.5 MHz
137	Frequency modulation
145	Phase modulation
146	RF level control
150	RF filter tuning
152	Reverse power protection switching and attenuator drive
158	Jitter correction drive

TECHNICAL DESCRIPTION

Para.

160	Display and keyboard (A1)
162	Keyboard operation
165	LED display
166	LCD display
170	Two phase multiplexing
172	10 dB Step output attenuator (AC0 and A2/1)
175	Reverse power protection (AC0 and A2/1)
177	GPIB Adapter module (AD0)
181	Second function operations

Table

Page

4-1	DAC values for various FM deviations (A2/1)	34
4-2	Decoding of FM/ΦM functions (A2/1)	35
4-3	Attenuator switching logic (A2/1)	37
4-4	Attenuator logic (AC0 and A2/1)	42

Fig.

4-1	Fractional N synthesis simplified block diagram	5
4-2	Four modulus prescaler circuit (AA1)	6
4-3	Serial data transceiver (AA2)	12
4-4	Data transmission (AA2)... ..	12
4-5	Data reception (AA2)	13
4-6	Allocation of memory space (AA2)	15
4-7	250 - 500 MHz VCO system simplified block diagram (AB1/1) ...	18
4-8	Frequency dividers, simplified block diagram (AB1/1)	20
4-9	Frequency multipliers, simplified block diagram (AB1/1)	21
4-10	HF output stage (62.5 - 1000 MHz) simplified block diagram (AB1/1)	22
4-11	BFO system & LF output stage (10 kHz - 62.5 MHz) simplified block diagram (AB1/1)	24
4-12	Data conversion, simplified block diagram (A2/1)	28
4-13	Serial data string (A2/1)	29
4-14	Combining Aux., Ext. and Int. modulating signals (A2/1)... ..	31
4-15	AM signal path >62.5 MHz (A2/1)	32
4-16	RF detector law (A2/1)	33
4-17	AM signal path <62.5 MHz (A2/1)	34
4-18	Dual path FM drive (A2/1)	34
4-19	Phase modulation signal path (A2/1)	36
4-20	Simplified RF level control signal path (A2/1)	36
4-21	Typical waveforms, LCD drive waveforms (A1)	41
4-22	Internal structure of GPIB talker/listener integrated circuit, IC2 (AD0)	43

INTRODUCTION

1. The following summary is an outline description of the instrument which may be read in conjunction with two simplified block diagrams. The first is in the Operating Manual and provides a simple guide to the main method of signal frequency generation. Fig. 7-1 in this Service Manual is a more detailed diagram giving more specific information.

OVERALL TECHNICAL DESCRIPTION

Frequency synthesizer and signal processing

2. 2022C is a synthesized AM, FM or phase modulated signal generator covering a frequency range of 10 kHz – 1000 MHz. Frequencies in the range 250 – 500 MHz are generated from two voltage controlled oscillators. In the range 62.5 to 250 MHz signal frequencies are obtained by divider circuits and in the range 10 kHz to 62.5 MHz by a beat frequency oscillator (BFO) system. A frequency doubler is used to cover the band 500 – 1000 MHz.

3. The output frequency is phase locked to a frequency standard and frequencies up to 100 MHz can be set to a resolution of 10 Hz. Above 100 MHz the resolution is 100 Hz. A fractional division scheme allows this resolution to be obtained whilst still keeping the phase locked loop (PLL) bandwidth reasonably high. Provision is also made for the use of an external frequency standard when this is preferred. Frequencies of 10, 5 or 1 MHz can be used depending on the position of an internal link fitted within the instrument.

Output

4. Calibrated output levels from -127 dBm to +13 dBm are provided. A combination of ten output level calibration units can be selected on the front panel. The RF output level can be set to a resolution of 0.1 dB over the entire output voltage range and features a total cumulative accuracy of ± 2 dB. A precision attenuator provides 120 dB in 10 dB steps and is a self contained module. Three 30 dB, one 20 dB and one 10 dB pad are used whose frequency response is factory set. Each pad is operated by TO5 relays. 20 dB of fine level control is achieved using PIN diode attenuators.

Modulation

5. Amplitude, frequency and phase modulation can be provided internally from a 1 kHz modulation source which is derived from the frequency standard.

6. **Amplitude modulation.** For carrier frequencies greater than 62.5 MHz, modulation is obtained using PIN diode attenuators and envelope feedback. At carrier frequencies less than 62.5 MHz modulation is provided by a fixed frequency modulator operating at a frequency of 160 MHz. AM is DC coupled when the modulation ALC is off.

7. **Frequency modulation.** FM is created by applying the modulation signal to varactor(s) in the 250 – 500 MHz oscillator. Simultaneous modulation of the reference frequency prevents fall off in response below the loop bandwidth. FM off (CW mode) gives the lowest residual FM noise. The low frequency response is tailored to optimize the modulation accuracy of low frequency square waves.

8. **Phase modulation.** This is achieved using a differentiator in the modulation signal path and then applying the differentiated signal in the same manner as the FM.

TECHNICAL DESCRIPTION

9. **Modulation signal ALC.** This is always in circuit when internal modulation is in use and may be selected when switched to external modulation. The circuit uses a JFET and automatically levels signals in the 0.9 to 1.1 V range to maintain accurate modulation. Outside of this voltage range HI or LO messages appear in the modulation display area to warn the operator of an error.

10. **Auxiliary modulation.** A rear panel socket allows an external modulation signal to be combined with the internal 1 kHz signal. A signal level of 1 V RMS at this socket will produce 20% of the indicated modulation setting.

Control

11. Front panel operation is carried out by direct entry of required settings via the keyboard. Microprocessor control ensures flexibility, simplicity of use and allows programming by the General Purpose Interface Bus (GPIB). This facility is offered as an optional accessory enabling the instrument to be used both as a manually operated bench mounted instrument or as part of a fully automated test system.

12. Both analogue and digital circuits are incorporated to control the instrument. Three methods of data transfer from the microprocessor to the remainder of the instrument are used:-

(1) The VCO frequency is set by direct parallel loading from the microprocessor to the synthesizer board.

(2) Analogue control of functions such as a.m. depth and RF level is maintained by first converting data into a serial format then transmitting it from the micro-processor/synthesizer box. The data is then converted back to an 8-bit parallel format which is loaded into Digital-to-Analogue Converters (DACs). This causes gain changes which vary voltage levels as appropriate.

(3) The third method is to convert the parallel data on the control board into a special serial format that is fed to the liquid crystal display drivers.

13. The microprocessor used is an 8085A and incorporates an 8-bit multiplexed data/low order address structure to allow a 16-bit address bus. 2 K bytes of RAM are used for temporary storage. 32 K bytes of EPROM are used for the instrument's operating program and 2 K bytes of non-volatile EAROM are available for user control settings and calibration information.

SYNTHESIZER (AA1)

Circuit diagram : Fig. 7-6

250-500 MHz synthesis

14. This is accomplished by fractional N synthesis and is made up of a system divided into three areas as follows:-

- (1) 40 kHz synthesizer. A conventional type operating in 40 kHz increments and consisting of a fully programmable divider, a 40 kHz reference divider, a phase/frequency comparator and a loop filter.
- (2) Fractional N accumulator. Whose purpose is to make periodic modifications to the division ratio of the synthesizer so that the average division ratio is a fractional value (i.e. interpolating between the 40 kHz increments).
- (3) A jitter correction circuit. Whose function is to correct for the unequal spacing of the divider output pulses caused by the operation of the accumulator.

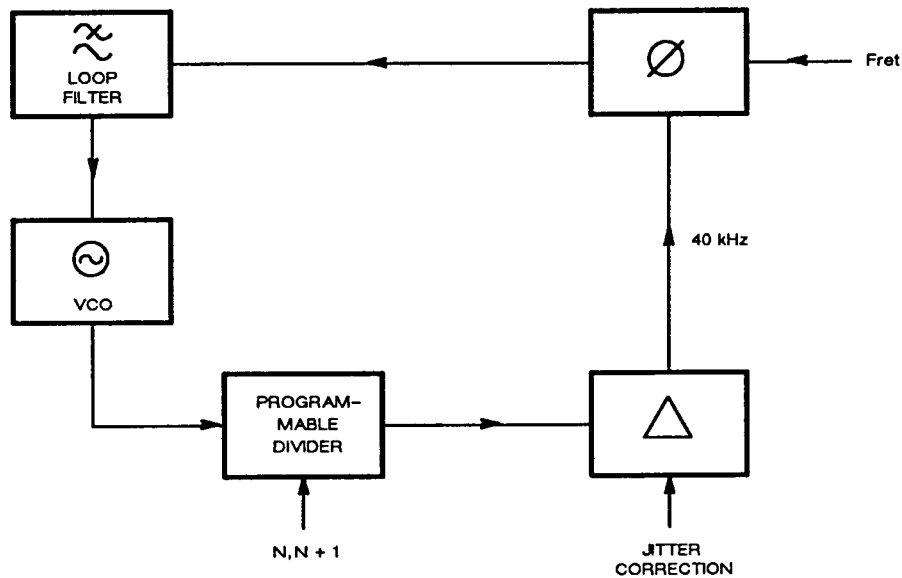


Fig. 4-1 Fractional N synthesis simplified block diagram

15. **Fractional N synthesis.** In single-loop synthesis the minimum frequency increment attainable is equal to the reference frequency. Thus fine frequency increments can only be attained at the expense of a very low reference frequency. This requires extensive filtering at the loop filter, resulting in a low loop bandwidth and consequent poor performance. Fractional N synthesis overcomes this restriction.

16. Increments smaller than the reference frequency are generated by making periodic adjustments to the division ratio so that the average value of division is actually a fractional number. The output pulses from the programmable divider no longer have a uniform spacing and this must be corrected before the signal reaches the phase comparator otherwise spurious modulation or 'jitter' will occur. The circuit that computes the adjustments to the division ratio also generates a correction voltage and this is used to delay the output pulses to return them to uniform spacing, eliminating the jitter.

17. **40 kHz synthesizer.** The 10 MHz internal crystal oscillator X1 is divided down to 40 kHz by the action of IC2a, IC8a,b, IC14a, IC20b,c and fed to IC22 phase/frequency comparator. A 250 – 500 MHz input from AB1/1 RF processing board drives IC9 four modulus pre-scaler via PLX and C4. Internally this consists of two cascaded two-modulus 15/16 pre-scalers. Both normally divide by 16 giving a total modulus of 256. If IC9 pin 4 (control A) is taken to logic 'low', then in the following output cycle the first of the 15/16 dividers is set to 15 for just one count cycle. Thus the modulus is reduced to 255.

18. If IC9 pin 5 (control B) is taken 'low', then the second 15/16 divider is set to 15, however as this is preceded by the other divider (which is dividing by 16) then the modulus falls to 240. If both control pins 4 and 5, are taken low, the modulus falls to 239.

19. IC9 pre-scaler is used in conjunction with four programmable counters IC4,IC5, IC16 and IC17. The nominal modulus of the pre-scaler is 256 and so the data loaded into IC16/IC17, counter C, determines the number of times that 256 is counted. IC4 and IC5, counters A and B, modify the division ratio of the pre-scaler for some of the time.

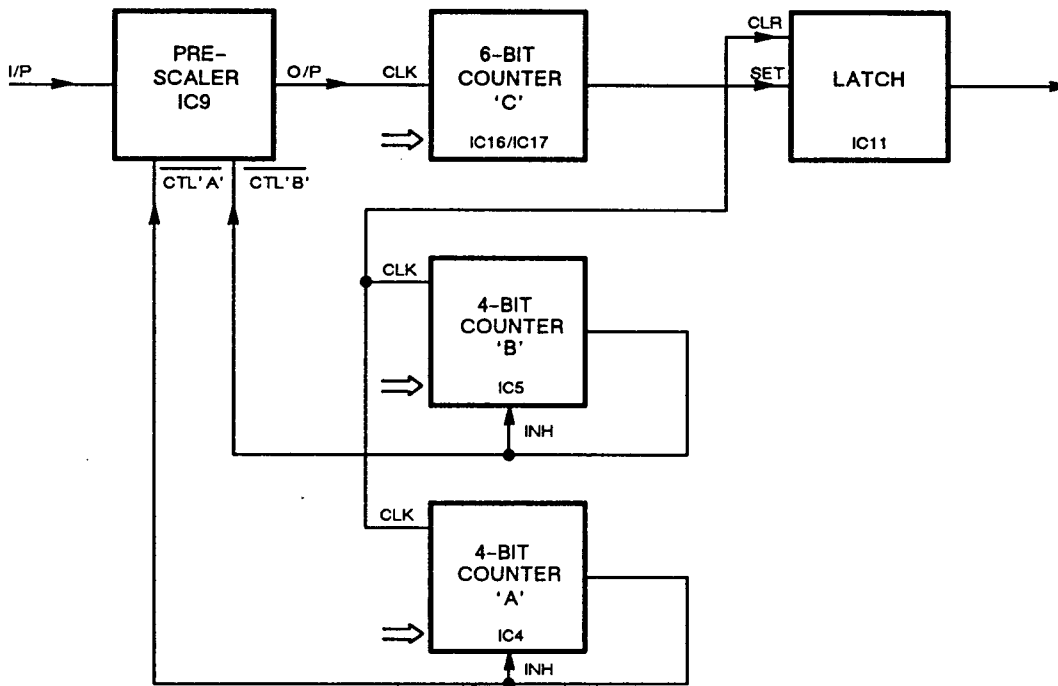


Fig. 4-2 Four modulus prescaler circuit (AA1)

20. Counter B is loaded with data that reduces the division ratio of the pre-scaler by 16 for anything up to sixteen output cycles of the pre-scaler. Counter A is loaded with data that reduces the division ratio of the pre-scaler by 1 for up to sixteen counts of the pre-scaler. Total division ratio is $(256 \times C) - (16 \times B) - A$ so providing a division ratio that is fully programmable.

21. **Operation.** The data is loaded into the counters and if this is not zero the terminal count (TC) outputs of both A and B counters will be low and a modulus change is activated. IC9 pre-scaler output then clocks the counters IC4,IC5 (which are hard-wired to count down) and within sixteen counts 'A' and 'B' will reach zero, the two control lines will be returned to logic 'high' state and further counting is inhibited.

22. Counter 'C' continues to count until it too reaches zero and TC is taken to logic 'high'. This sets IC11b latch which in turn produces an output pulse to activate the LOAD inputs of all three counters. When the CLOCK line is next asserted to logic 'low' IC11b latch is released and the counters are ready to count on the next positive-going clock transition. IC16 and IC17 together form counter 'C' and IC11b combines both TC outputs to implement the latching function. IC17 TC goes 'high' first setting the D input, then IC16 TC follows, clocking the terminal count onto the output.

23. A fractional N synthesizer requires an additional control line to cause the total division ratio to be changed by one. This line originates from IC27 pin 14. If this line is logic 'high' IC11a pin 1 will also be held 'high'. IC4 counter 'A' TC line is routed via IC10a and gated with the Q output of IC11a to the pre-scaler Control 'A' (CTA) line. This allows the option of holding the CTA line logic 'low' for an extra count and changing the division ratio by unity. Towards the end of a division cycle IC4 pin 12 will also be 'high' and IC11a pin 6 will be clocked 'low'. This activates the preset input and locks IC11a, pin 6, 'low'. IC10a pin 2 is therefore held 'high' and TC is effectively connected directly to IC9 CTA and the division ratio is unmodified.

24. If the line from IC27 pin 14 is low and IC11b produces a divider output pulse, this appears as a negative-going pulse on IC11a pin 1 and clears IC11a during the time that the counters are being loaded. IC10a pin 2 is now held 'low' and cannot return 'high' until IC4 pin 12 goes 'high' and the subsequent pre-scaler clock pulse is received. Thus the line to pre-scaler CTA is held low for one extra count and the division ratio is reduced by one.

25. **Phase/frequency comparator.** This comprises IC22 and IC20d. The output of the programmable divider is routed to IC22 pin 11 via a jitter correction circuit, (described later). If the leading edge of the pulse arrives before the reference divider pulse at IC22 pin 3 then the VCO frequency is too high. IC22 pin 8 is then set 'high' and returns 'low' after the reference divider pulse is received on pin 3. TR8 conducts drawing current into the loop filter circuit IC28, causing the voltage at IC28 pin 6 to decrease. If the pulse from the programmable divider arrives after the reference divider pulse then pin 5 is set 'low' and TR7 conducts and raises the voltage at IC28 pin 6. R27 and C23 delay the resetting of the circuit by approximately 50 ns to maintain at equilibrium a finite pulse width to both TR7 and TR8. In this way phase response is improved (dead spots are avoided).

26. R35, C27 and C28 form part of the loop filter in conjunction with other components on AB1/1. Dividing the loop filter components in this way reduces the sensitivity to unwanted external pick-up and allows interconnections to be made between AA1 and AB1/1 using ribbon cable. There are two output lines, VCO TUNE A is the output to AB1/1 via PLT pin 14, VCO TUNE B (PLT pin 13) is a dedicated earth return from AB1/1 to prevent the formation of a hum loop through the instrument chassis.

27. **Fractional N accumulator.** This system has an improved resolution of 4000 over the 40 kHz synthesizer previously described and gives 10 Hz increments. This is accomplished by making periodic modifications to the division ratio such that the average division ratio is the required fractional value. So in a sequence of 4000 output pulses from the programmable divider, the division ratio could be modified for 0 - 3999 of these periods. If the division ratio is modified from N to N+1 for M of the 4000 periods, then the average division ratio becomes $N+M/4000$ and the average output frequency becomes

$$N = \frac{M}{4000} \times 40 \text{ kHz.}$$

28. The purpose of the accumulator is to generate the sequence of division ratio modifications. The accumulator has a capacity of 4000 and is clocked from the output of the programmable divider. At each clock pulse the value M is added to the contents of the accumulator. When the accumulator overflows, a division ratio change is implemented in the next period. At the end of 4000 periods, the total number loaded into the accumulator will be $4000 \times M$ and thus M overflows will have been created during this time. The overflow occurs with approximately uniform spacing considering that M may not be on an exact sub-multiple of 4000.

29. The output pulses from the programmable divider no longer have a uniform spacing because periodic changes have been made to the division ratio. If these changes are allowed to reach the phase comparator, error signals would result and modulate the VCO causing unwanted frequency jitter. This is prevented by the incorporation of a jitter correction circuit which is described below.

30. **Jitter correction circuit.** When M is unity or close to it this could correspond to a 10 Hz offset from a 40 kHz frequency multiplier. The programmable divider will be dividing by N for 3999 times and then $N + 1$ just once. This is seen by the phase comparator as a gradually increasing phase error that is occasionally pulled back to zero. This occurs because the correct division ratio is $N+1/4000$ and the N error is slight, the $N+1$ error however is much greater so that while the divider is dividing by N each successive pulse is arriving a fractional amount sooner with respect to the reference. When the $N+1$ division is implemented the pulses are brought back into line.

31. To return the pulses to a uniform spacing and prevent jitter involves the retarding of the programmable divider during the time it is dividing by N , then removing the retarding when the $N+1$ period is reached. The count resident in the accumulator is proportional to the amount of retarding needed and represents the phase error referred to the input of the programmable divider. As the accumulator fills, the phase shift is increasing and the overflow occurs when one cycle of phase shift has accrued. The implementation of an $N+1$ division at this point effectively swallows that extra cycle, returning the phase shift to zero.

32. Jitter correction is implemented by feeding the contents of the accumulator into a digital-to-analogue converter. An output voltage proportional to the retarding is produced and is used to set the threshold on a comparator. A second input is fed from a ramp triggered from the output of the programmable divider. The coefficient of the resultant voltage-to-time conversion is set so that the full swing of the digital-to-analogue converter produces a change equal to one cycle at the input of the programmable divider. This is in the range 250 – 500 MHz resulting in timing changes from 4 to 2 ns from which the required coefficient is inversely proportional to the synthesizer frequency and is accommodated by varying the reference voltage to the digital-to-analogue converter.

33. **Operation.** IC25-IC27 form a 12-bit full adder. The value M referred to in previous paragraphs is latched into IC23 and IC24. IC31 and IC32 form a 12-bit edge-triggered data latch. IC29 and IC30 can be assumed to be transparent in this instance. Feedback from IC31 and IC32 to the input adders IC25-IC27 form an accumulator. Each time the latches are clocked (IC31,32 pin 9) the new output is summed with M and the result presented back to the input of the latches. Overflow, when it occurs, appears at IC27 pin 14.

34. The accumulator is required to overflow at 4000 and not 4096 which would normally be the case. This is achieved by IC29 and IC30. An overflow causes IC29 pins 3 and 5 to go to logic 'high' and this adds 96 to the number fed back to the latch. The size of the accumulator is thus effectively reduced to 4000 although all the output numbers are 96 higher than normal. This is of no consequence as only the relative phase of the correction signal is important. The overflow line (IC27 pin 14) is fed back to the programmable divider where it implements the division ratio change previously described. IC33 is a multiplying digital-to-analogue converter, the frequency dependent reference voltage arriving on pin 15 via PLT pin 1. This reference is generated on A2/1 board.

35. The jitter correction circuit comprises C50 normally shunted by TR9. When the programmable divider outputs a pulse TR9 base is taken low and C50 charges via R39 and L4. A ramp is generated with a duration which is sufficiently brief that the current in L4 remains reasonably constant and the ramp linear. When the voltage exceeds the voltage from the digital-to-analogue converter by 0.6 V, TR10 conducts and an output pulse is produced to trigger the phase comparator. The greater the voltage from the digital-to-analogue converter, the longer the time delay.

BFO phase locking

36. The 160 MHz oscillator on AB1/1 board is locked to the 10 MHz frequency standard. The circuit comprises a fixed ratio divider (modulus 16), a phase/frequency comparator and a loop filter. The 160 MHz signal is fed to IC1 pin 1, via PLU pin 1. IC1 pin 8 is biased to prevent self-oscillation of IC1 in the absence of a signal. Output is fed to IC6 pin 3 and a 10 MHz reference to pin 11.

37. The circuit functions in a similar manner to IC22 but because the frequency is higher, Shottky TTL is used and the feedback delay components are omitted. IC6 outputs on pins 5 and 8 turn on TR1 and TR2 respectively. C10, C12 and L1 form a low-pass filter to prevent the feedback of 10 MHz components to AB1/1. The loop filter itself is on AB1/1 board.

Crystal oscillator (internal/external locking)

38. External standard operation is accomplished by phase-locking of the internal 10 MHz crystal oscillator rather than by its substitution with the external signal. The method effectively eliminates spurious signals that may be present on the external standard. A further advantage is that if gross frequency errors occur in the external standard or if it fails completely, this would be flagged as an error condition but the instrument will continue to function on the internal oscillator.

39. External standard is fed via PL5 pin 1 to the Schmitt trigger IC34 pins 1 and 2, R5 assisting in terminating possible reflections. When EXT STD is selected, IC2 pin 2 is set 'high' allowing the signal to reach IC7 pin 11. The crystal oscillator output is divided to 5 and 1 MHz by IC8a and either 10,5 or 1 MHz (dependent on the link setting) is routed to IC7 pin 3 which, like IC6 and IC22, is used as a phase-frequency comparator. Links can be reset as described in Chapter 5 Maintenance. TR3 and TR4 outputs are summed across C15 which together with R1 and the rear panel frequency adjustment form the loop filter. When INT STD is selected no clock pulses arrive at IC7 pin 11. In this condition pins 5 and 8 are static and both TR3 and TR4 are turned off. The voltage on crystal oscillator X1 pin 5 is now determined solely by the setting of the rear panel adjustment. When selected to EXT STD, pulses are coupled to the emitter of TR3 or TR4 depending on the direction of phase error and their output voltage fed to the crystal oscillator to achieve phase lock.

40. Two detection circuits are incorporated to prevent incorrect operation. D5, D6, C13 and C14 form a signal detection circuit. IC15 pin 1 only goes to logic 'high' when a signal is present at IC34 pin 3. IC12b and IC12c together with D8 and D9 form a window comparator. If operation with an external standard causes the crystal oscillator tuning voltage to fall below 1 V, or rise above 10 V, IC15 pin 2 will be set to logic 'low'.

41. When EXT STD is selected, IC2 pin 2 is taken 'high'. The sense of the EXT STD VALID line is tested (IC15 pin 3) and if this is logic 'low' operation is correct. If it is 'high' this would indicate that the external standard has either an incorrect level, incorrect frequency or is non-existent. In this condition the processor takes IC2 pin 2 to logic 'low' and returns the instrument to INT STD. The sense of IC15 pin 3 is again tested. If this is still 'high' then the signal is not being detected and therefore is either non-existent or at too low a level. If however the sense of IC15 pin 3 is logic 'low' then it is the signal frequency that is incorrect. The appropriate error message is displayed and the testing sequence continued until either correct operation is detected or the instrument is returned to INT STD by the user.

Angle modulation at low frequencies

42. The 250–500 MHz synthesizer has a loop bandwidth of approximately 200 Hz giving the best compromise between switching speed and reference breakthrough. Inside this bandwidth, FM applied solely to the VCO will be attenuated due to the loop error correcting action. Since it is necessary to replicate a 10 Hz square wave, the response must be extended below that of the VCO phase locked loop. To achieve this the FM is effectively applied to the reference side of the loop in the same sense as that applied to the VCO and with the same deviation expressed as a percentage of its frequency. This means that *no error signal* is produced at the output of the phase frequency comparator and the FM is successfully implemented.

43. When FM or Φ M is selected the 40 kHz reference is routed via a phase modulator comprising TR5, TR6 and IC18. IC14 pin 7 produces a positive-going pulse and this turns on TR6 discharging C17. TR6 then turns off and C17 is charged via TR5 which is a current source. When the voltage on IC18 pin 2 exceeds that on pin 3, pin 7 goes to logic 'high' and in turn clocks the reference input of IC22, phase frequency comparator. The time delay thus produced is in proportion to the voltage applied to IC18 pin 3.

44. The FM signal is processed on A2/1 board and this is scaled and integrated so as to represent the degree of phase modulation required. It is then applied to IC18, pin 3 via PLT pin 10. In CW operation, IC20 pin 2 is taken to logic 'low' and pin 13 logic 'high'. The 40 kHz reference is now routed from IC14 pin 6 through to the phase comparator and the modulator is bypassed. This ensures the best possible noise performance in the CW mode.

1 kHz internal modulation tone

45. The 40 kHz reference at IC14a pin 6 is further divided by IC8a and IC14a to give a 10 kHz output at IC14a pin 3. This output is fed to IC14b wired as a bi-quinary counter which in turn divides the signal down to a frequency of 1 kHz at pin 13. The signal is then filtered by IC21a and IC21b configured as a four-pole Sallen Key low-pass filter, with the output level being set by R43. IC14b is disabled when the internal tone is not required to prevent the breakthrough of 1 kHz into the modulation circuits.

MICROPROCESSOR (AA2/1)

Circuit diagram : Fig. 7-7

46. The microprocessor controls the flow of data necessary to drive both address and data bus lines. Information from the keyboard or the GPIB is received to control such functions as RF level, Modulation depth and Carrier frequency. Transmission of data to the appropriate latches may either be direct onto AA1, or via a serial link to A2/1. Functions of the board are divided into the following areas:-

- | | |
|--------------------------------|------------------------|
| (1) Microprocessor | (5) Timer |
| (2) Address decoding | (6) Memory protection |
| (3) Serial bus transceiver | (7) Synthesizer driver |
| (4) RAM, PROM and EAROM memory | |

Microprocessor (IC2)

47. The 8085 Microprocessor IC2 has an 8-bit multiplexed data/low order address structure to allow a 16-bit address bus. The 8 least significant bits of the address bus are demultiplexed by the latch IC5. IC2 is clocked on pin 1 by a 5 MHz signal and is divided internally to provide two non-overlapping 2.5 MHz phases.

48. Three restart lines (or interrupts) are available. RST 7.5 is positive edge triggered and handles most of the instrument interrupts such as GPIB, keyboard, RPP and modulation HI/LO signals. These are described in A2/1 board technical description. RST 6.5 and RST 5.5 are level controlled (logic 'high' causing a jump). RST 6.5 is fed from AA1 synthesizer board and will go 'high' if the external frequency standard when selected, is not valid. RST 5.5 is used for the timing process monitoring the instrument's elapsed time.

49. A number of test points available on the board (TP3-TP12) are only used when factory testing the board initially. Two lines that are normally used for serial data transmission are available, SID and SOD on pins 4 and 5. In this application SID monitors the state of the EAROM, IC13, whilst SOD allows the timer to operate correctly. The RESET L (pin 36) is an input which if taken 'low' will cause the processor to jump to the initializing routine when the RESET line on pin 3 is taken 'high' again. This facility is used to prevent spurious addressing of any memory locations during power failures.

Address decoding

50. The 8 least significant bits (AD0 - AD7) of the address are de-multiplexed from the data/low order address bus. This is carried out by IC5. When the address enable line (ALE) is taken 'high' data present on IC5 pins 3,4,7,8, 13,14,17 and 18 are latched onto the corresponding outputs of IC5. The data bus can then be used to read or write information to the appropriate location dependent on the state of the RD L and WR L lines on IC2 pins 31 and 32. The appropriate location could be any memory IC or one of a number of latches used to interface between boards.

51. IC8 provides further address decoding for the three most significant address bits. RESET line, pin 4 ensures that the outputs of IC8 are disabled if the +5 V rail falls below +4.5 V. All outputs will be set 'high' if TP2 goes 'low' or pin 5 goes 'high'.

Serial bus transceiver

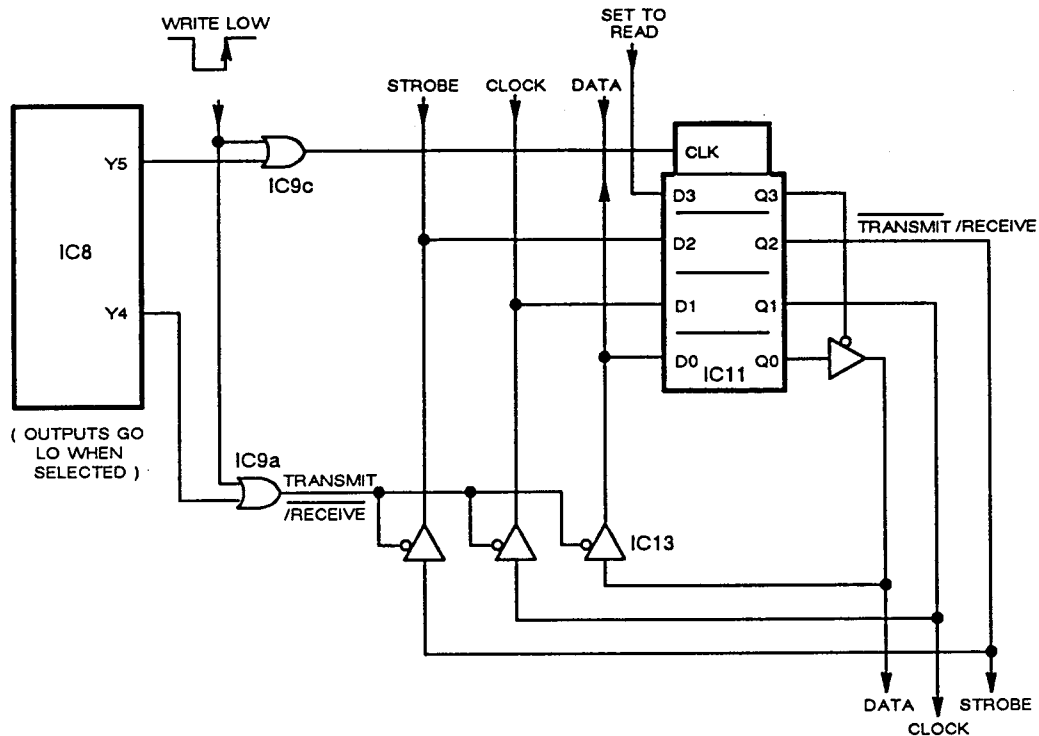


Fig. 4-3 Serial data transceiver (AA2/1)

52. This arrangement is used to communicate with all devices mounted outside the RF box AA0. Plug PLAC carries three lines to effect data transfer, see Fig. 4-3. These are pin 4, CLOCK, pin 5, STROBE and pin 6, DATA. The DATA line is bi-directional whilst the CLOCK and STROBE lines only carry information out from the microprocessor board. The +5 V supply rail and the RST 7.5 INTERRUPT line together with an earth are the remaining connections made via PLAC.

Data transmission

53. To obtain the required sequence, information is set up one bit at a time on the data line, then the CLOCK line is asserted 'high'. The positive edge of the CLOCK pulse will enable the shift registers on A2/1 board to accept the data. The STROBE line will be taken 'high' to transfer data entered in this manner to the registers when appropriate. Fig. 4-4 shows the basic circuit arrangement for data transmission.

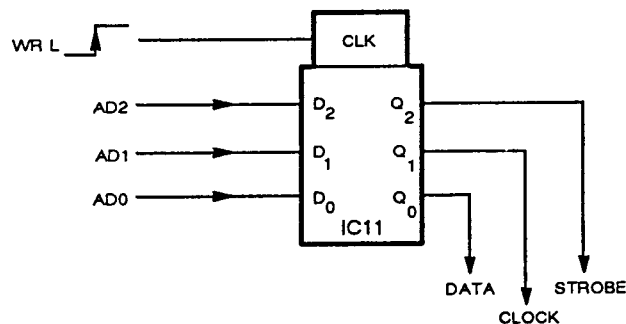


Fig. 4-4 Data transmission (AA2/1)

54. IC8 is configured to appear as a part of the memory space and is written to when data is to be clocked into IC11. Taking IC8, pin 10 'low' allows the WR L from the microprocessor to pass through IC12c to the clock line of IC11. IC9a routes those WR L signals for which address lines A0/1 and A1 are decoded to define one of four paths. For serial data transmission AD1 is 'low' and AD0 is 'high'.

55. After a data bit has been written onto the DATA line (PLAC, pin 6) a clock edge is generated by writing a different word to IC14. This byte consists of 02H for the clock information and 01H or 00H for the data information, the latter determines what goes into the latches on A2/1.

56. **STROBE.** If data just sent is to be latched onto the outputs of A2/1, IC5, IC7 and IC9, a byte equal to 01H will be written to IC8's address. This will cause IC11, pin 5 to be taken 'high' and that level will be clocked through. This will take the STROBE line of all latches 'high' allowing the data present at that time to be transferred to their outputs.

Data reception

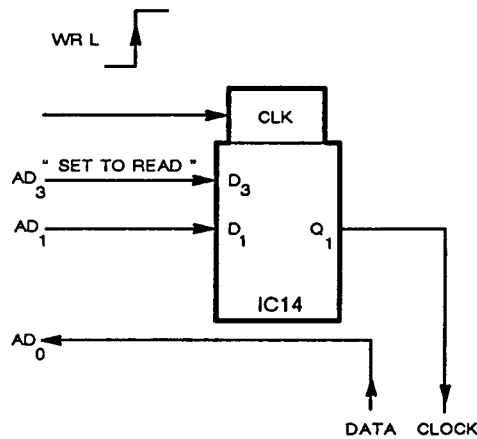


Fig. 4-5 Data reception (AA2/1)

57. In order to send information from A2/1 to AA2, microprocessor, data is clocked out from an eight bit shift register into a memory location in the processor's memory space. By rotating the bit addressed in the latter the serial to parallel conversion can take place. To realize this the arrangement on AA2/1 is slightly altered. Fig. 4-5 shows how this occurs. IC11, pin 2 is taken 'high' which disables IC10c. IC10b pin 13 is taken 'low' when appropriate to allow the data from A2/1 to have control over the data/address line AD0.

58. IC11 pin 10 is the CLOCK output whose positive edge will be used to cause a further data bit to come from A2/1, IC8, Q8. This is achieved by sending a 'high' level to IC8 pin 10 via IC5, IC6a and IC26c. The data bit, entering at PLAC pin 6, is read into a RAM location from where it may be addressed for further use.

Memory

59. **RAM.** IC12 is a 2 K byte (1 K = 1024) static CMOS RAM chip which is used as a temporary store for the intermediate stages in calculations such as Level conversion from dBm to μ V.

60. **EPROM.** IC7 is a 64 K byte store for the instrument's operating programme. Each integrated circuit is an ultra-violet erasable programable read only memory which is programmed during initial manufacture and should be considered as a read only memory.

61. **EAROM.** IC13 provides 2 K bytes of non-volatile memory and stores data which includes calibration information and control settings entered by the user. To avoid accidental corruption of the stored data two protection schemes are incorporated, one of these is written into the instrument's software and is described in the second function details. The other is a hardware circuit, "memory protection" which is described in later paragraphs. IC13 pin 1 READY/BUSY line is used to inform the microprocessor when a write command has been executed.

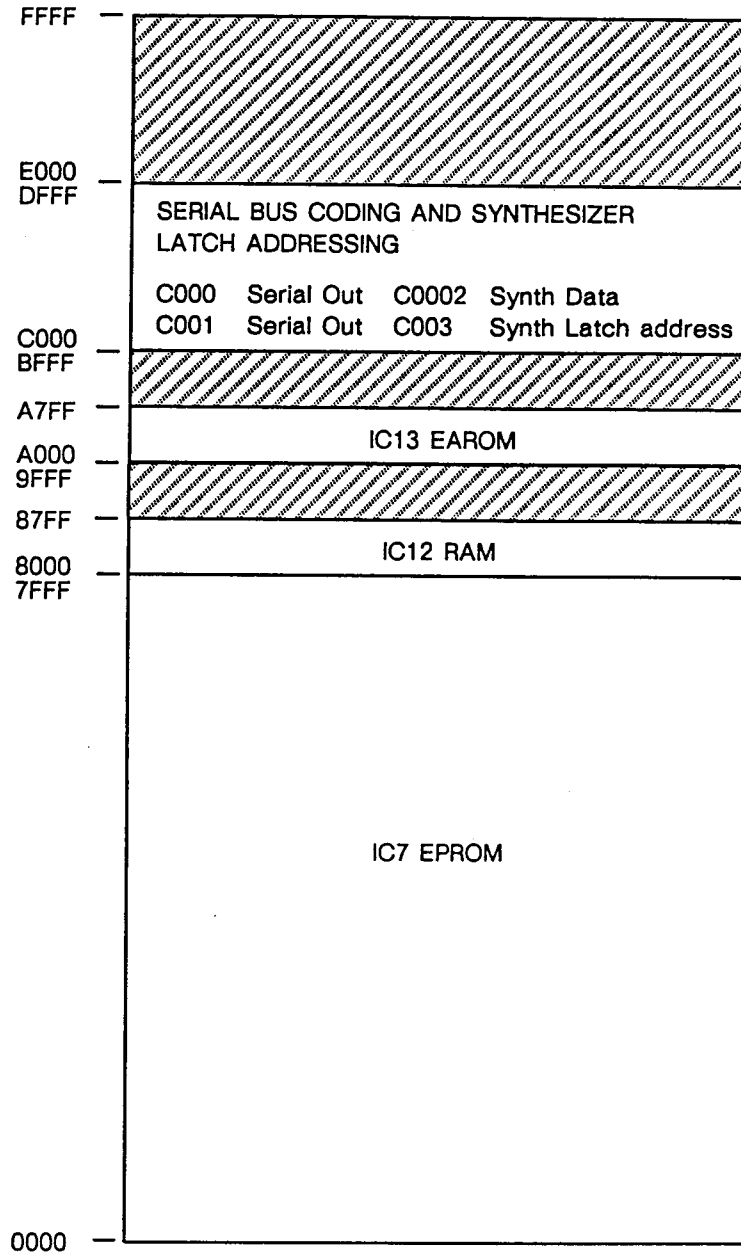


Fig. 4-6 Allocation of memory space (AA211)

Timer

62. Allowance is made in this circuit for the user to monitor the instrument's total number of running hours to date. This timing facility is particularly useful when recalibration periods are to be determined after a given number of hours. IC3, IC4 are used as dividers to allow sensibly long timing intervals to be achieved. IC3 is configured as an eight bit counter which then feeds IC4 a fourteen bit counter. This in turn causes a level triggered interrupt (RST 5.5) when its output is set 'high'.

63. IC3 and IC4 count to $\approx 2.1 \times 10^6$ and the RST 5.5 INTERRUPT occurs every ≈ 840 ms. Each interrupt clocks a further software counter until after a 15 minute period a new entry is made to data in the non-volatile memory of IC13. Two elapsed time readouts correct to within 30 minutes can be observed on the front panel display via second functions 9 and 198.

Memory protection

64. To ensure that the integrity of data in the non-volatile memory is maintained it is essential that there is no risk of writing to it whilst the microprocessor is not completely functional. This can occur if the +5 V rail falls to some undefined level. In this event IC1 and its associated circuit will come into operation.

65. IC1 compares the +5 V rail with a stabilised voltage derived from the +24 V rail. If the +5 V rail falls below 4.5 V the RESET LINE of the microprocessor (IC2) will be held low due to TR2 being turned on. This inhibits operation of the microprocessor until the +5 V rail rises above +4.5 V at which time the 2022C will re-initialize itself. This circuit is in addition to the internal protection against low supply volts that is present in the EAROM IC13.

Synthesizer driver

66. AA1, Synthesizer board requires 26 bits of data to set the oscillator frequency ($226 \times 10 \text{ Hz} \approx 671 \text{ MHz}$ which is the nearest factor to 500 MHz) and 4 bits of control data. AA2/1, IC14 and IC15 allow this data to be transferred from the microprocessor to the synthesizer. IC14 acts as an address latch whilst IC15 controls six data lines on PLAB, pins 5-10.

67. Both of these latches are configured as part of the memory address space, see Fig. 4-5, and are merely written to when frequency data is to be updated. IC8 provides the address decoding and controls the routing of the WR L path through IC9a and b. A positive edge transition on IC14 or IC15, pin 9 will transfer input data to the outputs.

RF PROCESSING BOARD (AB1/1)

Circuit diagram : Fig. 7-8

68. This board houses the entire RF generation system and is comprised of five signal generation circuits briefly described as follows:-

- (1) **250 - 500 MHz** - A conventional VCO system employing two oscillators, each one operates over a half octave with a changeover point at 353 MHz. A tunable notch filter reduces second harmonic content of the output.
- (2) **62.5 - 250 MHz** - This frequency range is obtained by dividing down the VCO frequency range with the divide-by-two networks. Low-pass filters are employed to reduce the harmonic content.
- (3) **500 - 1000 MHz** - The VCO output is fed to a frequency doubler circuit which comprises a balanced transformer and diode bridge. Insertion loss is compensated for by an additional amplifying stage. A voltage tuned band-pass filter enables sub-harmonic and harmonic components to be reduced.
- (4) **62.5 - 1000 MHz output stage.** This stage provides an automatic levelled output over the range +13 dBm to -7 dBm and also the means of DC coupled amplitude modulation. The output is converted to a 50 Ω source and fed to a relay selecting either this output or that of the BFO system. The output is fed to an output amplifier which is protected from reverse power by a pair of diodes.
- (5) **10 kHz - 62.5 MHz BFO system.** A phase locked 160 MHz VCO signal is used as one input to an RF mixer. Amplitude modulation is superimposed on this signal before mixing with a signal in the range 160.01 to 222.5 MHz derived from the output of the first divide-by-two network. The IF output of the mixer 0.01 - 62.5 MHz is then filtered to remove unwanted mixer products. A final amplifier stage provides a voltage gain of 33 dB and acts as a 50 Ω source. The output level is also peak detected and fed back to an input error amplifier to provide automatic level control and allow DC coupling of the amplitude modulator. The output is fed to an output amplifier which is protected from reverse power by a pair of diodes.

VCO system (250–500 MHz)

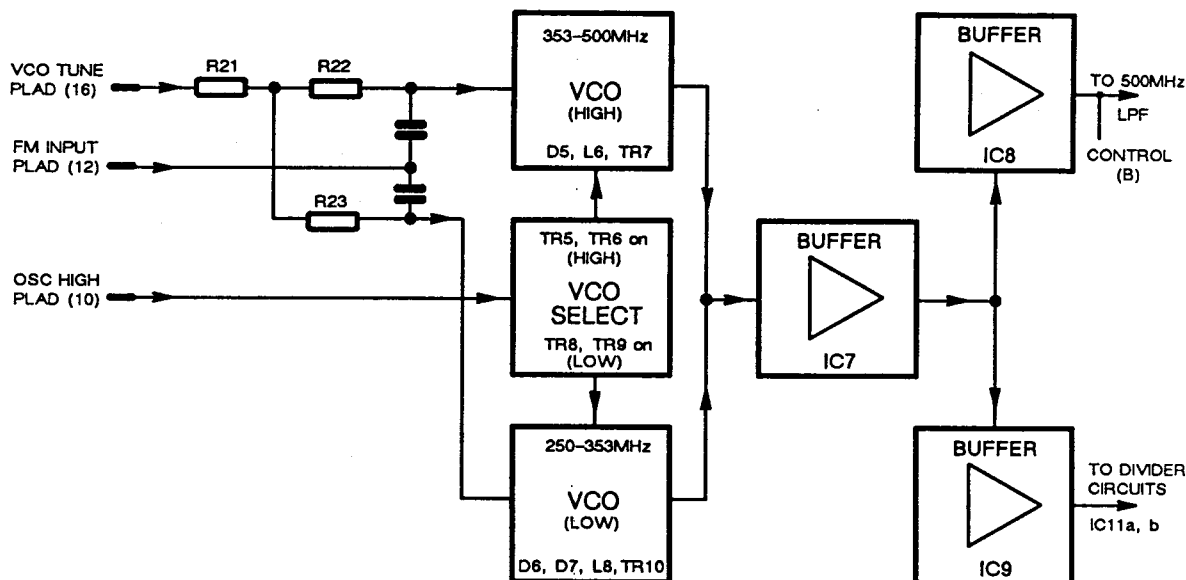


Fig. 4-7 250–500 MHz VCO system simplified block diagram (AB111)

69. Two oscillators are used to cover the basic frequency range each one generating one half octave. Changeover occurs at 353 MHz. The upper half octave 353 – 500 MHz is generated from a tuned circuit formed by C31, D5, and L6, the latter is only evident as a thicker length of track on the PCB. The base of TR7 oscillator is driven from the centre tap of L6 and the collector via C37 and R34, these components are positioned so as to be mutually coupled to the oscillator tuned circuit.

70. R32, R33, C33 and C34 control the impedance of oscillator TR7 and compensate for unwanted internal phase shift within the transistor. Having resistors in both emitter and collector circuits also prevents the formation of parasitic resonance which would otherwise occur via the transistor's junction capacitances.

71. Tuning of the oscillator is carried out by the varactor D5 with bias applied via L5. The LF end of the oscillator range may be adjusted by C31 for 2 V at 353 MHz. The HF end of the range should be approximately 15 V at 500 MHz. Output is taken from a low tapping point on L6, via R27.

72. The lower half octave oscillator 250 – 352 MHz operates in a similar manner with the capacitor values doubled in the tuned circuit to give the half-octave reduction in frequency.

73. Selection 353 – 500 MHz (HIGH) and 250 – 352 MHz (LOW) is carried out by the OSC HIGH control line (PLAD pin 10) from A2/1 Control circuit. When this is asserted 'high' TR5 and TR6 conduct and complete the –12 V supply line to allow TR7 to conduct. When the OSC HIGH control line is at logic 'low' TR8 and TR9 conduct and TR10 is powered. Because only one oscillator is powered at a time from the single control line, outputs are resistively summed at the input of IC7 amplifier. Both oscillators and amplifier are mounted within the on-board screening so as to achieve a very low level of load reaction.

Frequency dividers (62.5 – 250 MHz)

74. The VCO output range (250 – 500 MHz) is divided into three paths via IC8, IC9 and IC10 buffer amplifiers. IC8 provides the signal path for the 250 – 500 MHz range, IC9 the 62.5 – 250 MHz range and IC10 provides a synchronizing output to AA1 programmable dividers.

75. Selecting of the required signal path is controlled by IC4-IC6 signal gating circuit. The control data is input via PLAD pins 6,7 and 11 and is shown on the circuit diagram as range control logic and uses the letters (A) to (G) to indicate where assertion of data (negative true logic) is made.

76. The output from IC9 drives two binary frequency dividers IC11a and IC11b. These D type flip-flops are wired as two binary dividers by connecting the Q outputs to their respective D inputs. The first divider is clocked via pin 11. Both Q and QL outputs are utilized, driving opposite ends of T1 balancing transformer. The output is taken from a third winding via D15 when control logic line (B) is asserted. This arrangement gives a symmetrical output waveform containing little second harmonic therefore simplifying filtering.

77. When (F) is asserted 'low' R59 and R61 provide bias to allow IC11a divider to operate. R58 and R60 provide bias to the clock inputs via L16 and L35 to maintain these at the mean logic level. The second divider operates when the bias provided via R78 and R79 is applied, this occurs when both (A) and (F) are asserted 'low'.

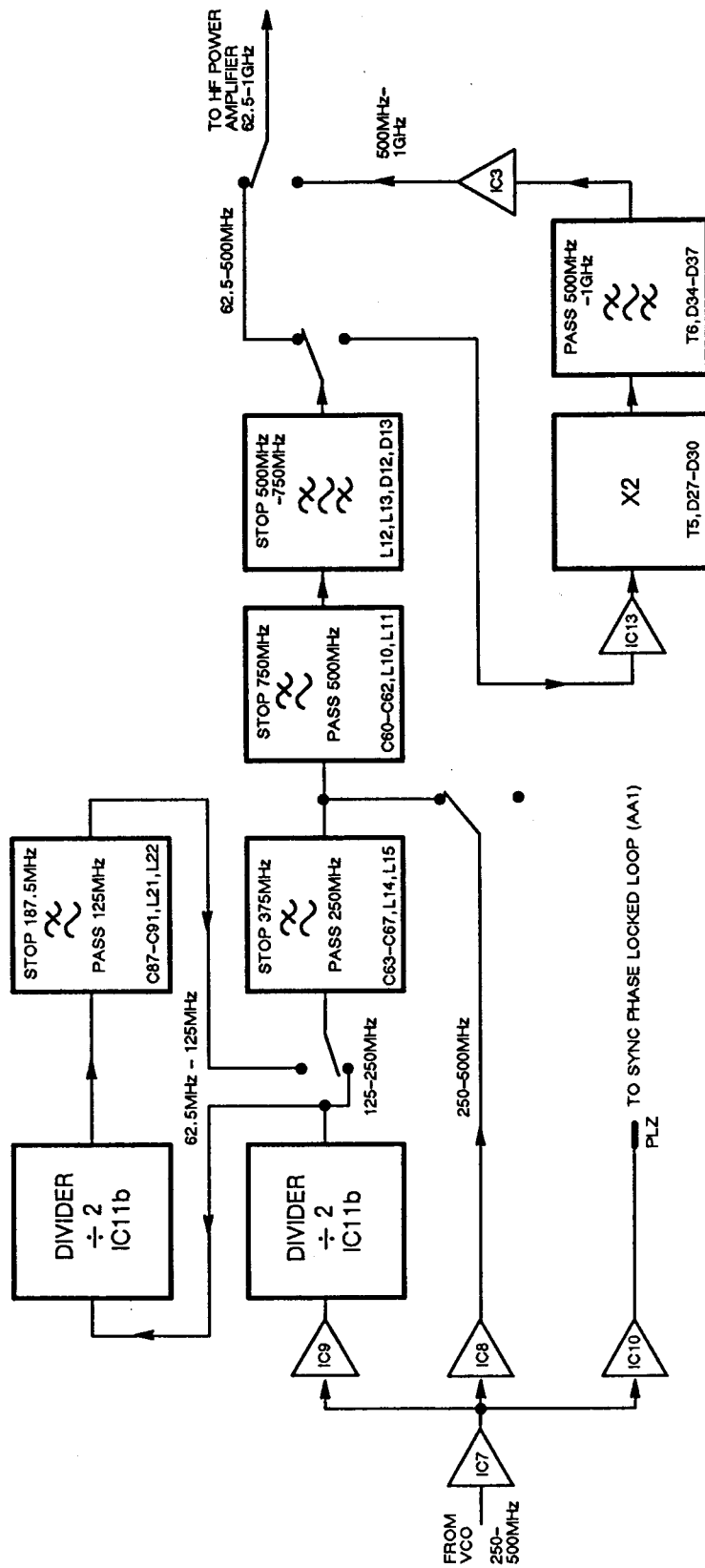


Fig. 4-8 Frequency dividers, simplified block diagram (AB111)

78. **250 – 500 MHz.** When frequencies in this range are selected, point (E) is taken 'low' turning D8 and D9 on and D10 off. (F), (A) and (B) are taken 'high', disabling IC11a,b dividers; D11 is also turned off. The signal path is then routed from IC8 and through a 500 MHz low-pass filter comprising L10,L11,C60–C62. Cut off frequency of this filter is 750 MHz enabling signals of up to 500 MHz to pass but none of the third or higher harmonics. A further tunable notch filter L12,L13,D12 and D13 eliminates the second harmonics in the range 500–750 MHz.

79. **125 – 250 MHz.** When frequencies in this range are required, point (E) is taken 'high', D8 and D9 are turned off and D10 is turned on. Points (F) and (B) are taken 'low' activating IC11a first divider. D11,D14 and D15 are also turned on and D17,D18 are turned off. The first divider's output is routed via D15 and D14 to a 250 MHz low-pass elliptic filter comprising L14,L15, C63–C67. Cut off frequency of this filter is 375 MHz so the required range is passed but the third harmonic in the band 375 – 750 MHz (and higher harmonics) are eliminated. The signal is then routed from the low-pass filter via D11 to the input of the 500 MHz low-pass filter to be combined with the 250 – 500 MHz signal frequency range.

80. **62.5 – 125 MHz.** When frequencies in this range are required, points (A) and (F) are taken 'low' and (B) is taken 'high'. D15 is turned off, D16 and D18 are turned on, both IC11a and IC11b dividers operate and the output (62.5–125 MHz) is taken from T4 transformer secondary. The signal is passed through a 125 MHz low-pass filter L21, L22,C87–C91. Cut off frequency of the filter is 187.5 MHz to eliminate the third and higher harmonics. This allows the required 62.5–125 MHz band to be routed via D16 to the 250 MHz low-pass filter L14,L15. The signal is then combined with the 125–250 MHz and the 250–500 MHz signal paths as far as the junction C71,D20,D21.

81. At C71 the signal paths divide. When signals in the range 62.5–500 MHz are selected, point (C) is taken low and point (D) is taken 'high', D20, D23 and D31 are turned on and D32 is turned off. Signals are routed to the input of the HF output amplifier stage via D20,D23,D31 and C102.

Frequency doubler (500–1000 MHz)

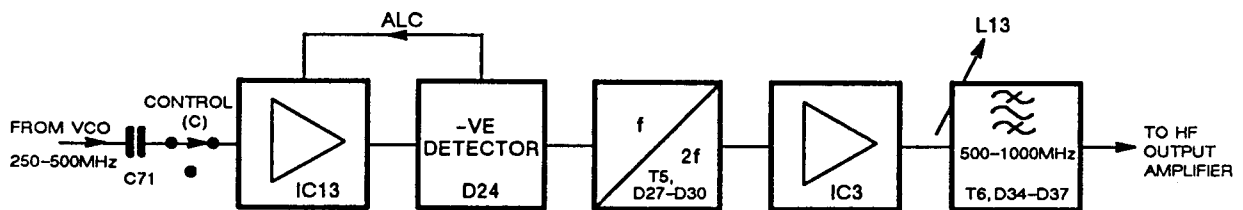


Fig. 4-9 Frequency multipliers, simplified block diagram (AB111)

82. The frequency range of 500–1000 MHz is obtained by taking the VCO output range (250–500 MHz) from the output of the 500–1000 MHz notch filter and following this with a frequency doubler circuit. Selection is effected by the assertion of the range control logic, point (C) is taken 'high' and point (D) is taken 'low'. D20 is turned off and the signal path is then taken via the amplifier IC13. Output from IC13 is detected by D24 which drives an automatic level correction circuit. This controls the RF resistance of D21,D22 and thus the drive to the doubler circuit.

83. The frequency doubler circuit comprises T5, balancing transformer and D27-D30 diode bridge. Insertion loss of the doubler is compensated for by IC3 which provides 12 dB of amplification. This output is filtered by a 500-1000 MHz voltage tuned band-pass filter comprising D34-D37 and T6.

84. The filter together with the 500-1000 MHz voltage tuned notch filter previously described share a common control line. This originates from a digital-to-analogue converter on A2/1 board via PLAD pin 15. Tracking data is set by the requirements of the band-pass filter which has no other means of adjustment. The notch filter is then aligned to this data by adjustment of L13. Output from the 500-1000 MHz band-pass filter is connected via D32 and C102 to the HF output amplifier.

HF output stage (62.5-1000 MHz)

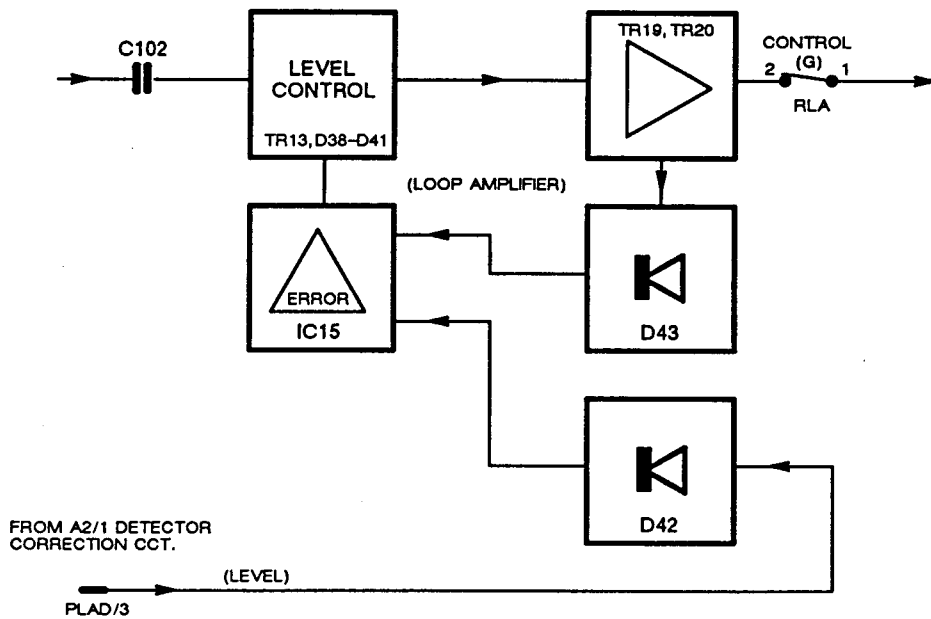


Fig. 4-10 HF output stage (62.5-1000 MHz) simplified block diagram (AB111)

85. The HF output amplifier stage comprises TR19 and TR20 together with D43 output detector, loop amplifier IC15, TR13, and pin diodes D38-D41. The stage is required not only to provide levelled output over the range -7 to +13 dBm but also amplitude modulation of up to 80%. The total dynamic range of the ALC is thus +13 to -21 dBm. AM is specified using carrier frequencies up to 400 MHz although the circuit is usable to 1000 MHz.

86. The RF reference level is fed to IC15 pin 2 via D42. D42 and D43 are in close thermal contact and operate at similar bias currents so that the voltages dropped across the diodes are accurately matched. IC15 pin 6 goes negative turning on TR13 and D38-D41. The RF output of the amplifier IC14 pin 8 rises until the peak voltage detected by D43 equals the reference voltage. When AM is in use the modulating voltage is superimposed upon the reference. This is performed on A2/1 board and is described in that section.

87. The levelling achieves a defined RF voltage at the input of R123 which provides a 50 Ω source. The output is then fed to relay RLA where point (G) range control logic selects either this output or the output from the BFO system.

BFO system and LF output stage (10 kHz – 62.5 MHz)

88. When frequencies between 0.01 – 62.5 MHz are required, point (G) is at logic 'high' causing relay RLA to be de-energized. The relay has two contacts, one contact completes the +12 V supply to the oscillator, modulator, mixer and LF amplifier, the second contact connects the LF amplifier to the output attenuator AC0 via PLAE.
89. TR1 and its associated components form a Colpitts oscillator operating at 160 MHz. D1 provides the means of phase locking the oscillator. The phase lock loop is mounted on AA1 synthesizer board and control is effected via PLAD pin 1. TR2 provides a reasonably constant 3 mA bias current.
90. The output is buffered by IC1, both this and the oscillator components are contained within pockets in the on-board screening. The output from IC1 drives IC2 providing further isolation for a synchronizing output to AA1 board. IC1 also drives the fixed frequency amplitude modulator, TR3 and TR4.
91. These are configured as a long-tailed pair with TR4 collector components providing a tuned load. Current of both transistors is varied by the AM signal from A2/1 and at the same time both are switched at 160 MHz by the input applied to TR3 base. An amplitude modulated signal at 160 MHz is thus developed across L2, C18. Subsequent mixing and levelling operations do not affect the AM depth but serve merely to alter the carrier frequency and the overall signal level.
92. D2, D3 and D4 form a current-controlled attenuator, D3 provides a reasonably constant load and D4/C20 maintain effective attenuation of harmonics. L3, L4, C24–C26 form a 160 MHz low-pass filter. This together with the tuned load in TR4 ensures that the 160 MHz signal fed to X1 has a very low level of harmonics therefore ensuring good intermodulation performance.
93. The local oscillator drive to X1 covers the frequency range 160.01 to 222.5 MHz, this produces 10 kHz to 62.5 MHz at X1 mixer output. This local oscillator drive is derived from the output of the first frequency divider IC11a, and IC13 is utilized to boost the signal level. Point (D) is taken 'high' turning D16 off. D25 is turned on by the +12 V supply to the BFO circuit. This routes the signal from IC13 to X1, R71–R73 form a 3 dB pad to absorb mis-matches.
94. The output of X1 is fed through a low-pass filter. Part of this, R70, C79 and L20 presents a termination to the mixer in the stop band. The complete filter (including C92, C93 and L23) passes 62.5 MHz but rejects 97.5 MHz (the lowest third order inter-modulation product). This filter is terminated by R83 and is followed by the LF output amplifier, TR11, TR12.
95. The LF output amplifier provides a voltage gain of 33 dB. The output level is detected by D33 which, with C106, forms a peak detector. The lowest carrier frequency is 10 kHz so the detector time-constant required is a long one. When AM is present the detector measures the peak of the AM envelope; at 100% depth this will be double the voltage at 0% depth. To ensure that the RF level is still correct the reference voltage is increased by an amount equal to the detector voltage increase due to the AM.

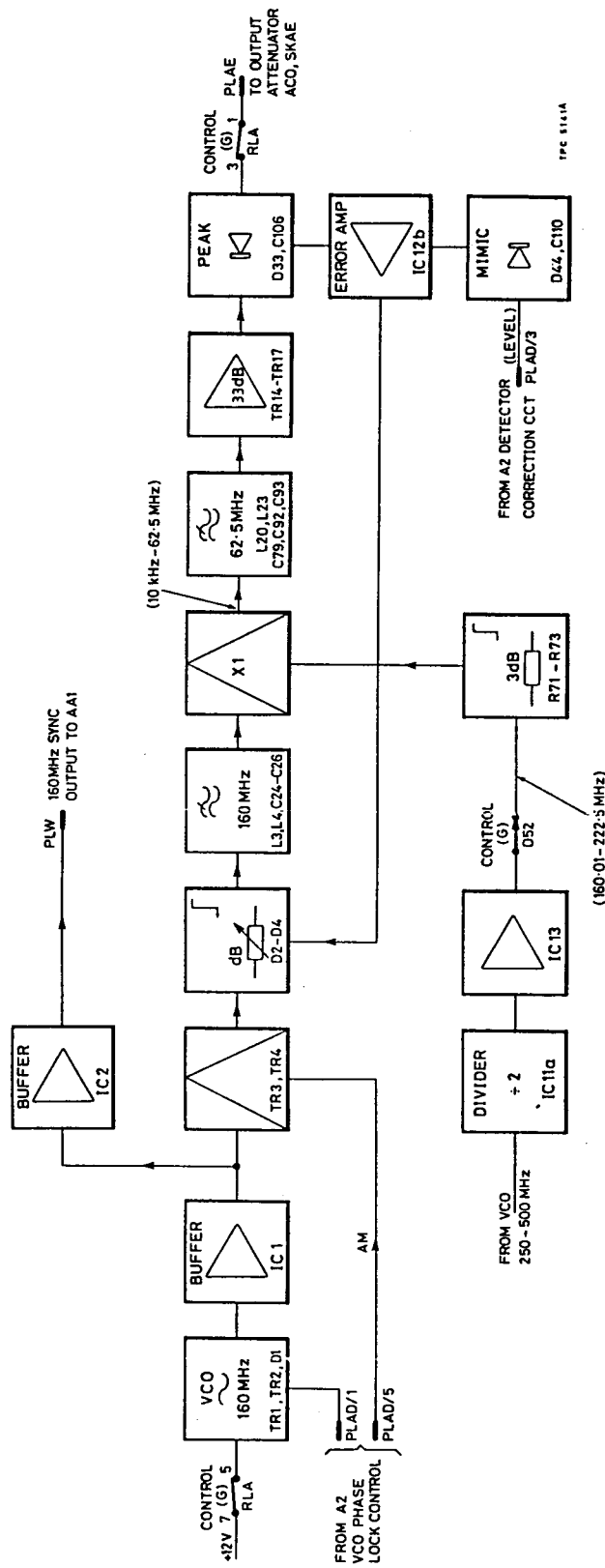


Fig. 4-11 BFO system & LF output stage (10 kHz - 62.5 MHz)
simplified block diagram (AB111)

96. A mimic detector, D44 and C110 peak detects the combined level and AM signal arriving at PLAD pin 3. As the AM is added the RF level reference voltage at the junction of R105, R106 increases due to the action of D44. Since the reference and AF detected levels are summed at IC12 pin 6 the AM induced level error is cancelled out.

97. At low modulation frequencies the detector output will decay between envelope peaks at a rate depending on its time constant. In order to preserve the AM the reference voltage applied to the error amplifier must match the RF detector voltage exactly. If this is not accomplished IC12b error amplifier will produce a control signal that will tend to remove the AM from the RF signal. To make the reference behave in a similar manner as the AF detector voltage the mimic detector is set to have the same time constant as the RF detector.

98. The two detectors are of opposite polarity and C104 provides a long time constant to give a DC output from IC12b that is a measure of the error in carrier level irrespective of whether AM is in use or not. This is fed back to the current-controlled attenuator to set the level of signal at the mixer input such that the output level is correct. In common with the HF output amplifier, the signal is levelled as a voltage and R122 gives a source impedance of 50 Ω .

POWER SUPPLY/CONTROL (A0/1 and A2/1)

Circuit diagram : Figs. 7-2, 7-4 & 7-5

99. The primary purpose of this board is to interface and control the various areas of the instrument that require access to the microprocessor via the internal instrument bus. There are three main areas on the board, analogue control, digital control and power supplies. These are described as follows:-

Power supplies. Four stabilized voltage lines are derived. These are +24 V, +12 V, +5 V and -12 V d.c. The +5 V rail chiefly supplies digital ICs. This is generated using discrete circuitry. The +12 V and -12 V rails supply a number of amplifiers and use monolithic 3-terminal regulators. A +24 V rail is used for low current purposes and is generated using a voltage doubler.

Digital control section. Interrupts are controlled and routed to the microprocessor. A serial bus from the microprocessor is converted to an 8-bit parallel format which is then fed to latches on both A2/1 board and other boards. Address lines are also decoded on this board. The display drives on A1 board are supplied with a special format serial bus from A2/1 and data appearing on the 8-bit data bus can be converted back to serial data for transfer to the microprocessor.

Analogue control. This area has several functions as listed below. Control data for each of the operations is routed via the 8 way bus:-

- (1) Modulation signal ALC
- (2) Modulation depth or deviation control
- (3) RF level control
- (4) RF filter tuning
- (5) Reverse power protection
- (6) Attenuator drive
- (7) Jitter correction drive

Power supplies

100. The AC mains supply range is set by two selector switches, SB and SC whose position is locked by a reversible locking plate. Supply transformer T1 and fuses FS1, FS2 are mounted on the rear panel assembly which can easily be hinged to provide access.

101. **+5 V supply line.** A0/1 T1 secondary 2 is used to supply rectifiers D1 and D2 via PLF pins 1,3 and 4. A2/1 IC3 controls the +5 V rail providing both short circuit current limiting and stable voltage regulation. A voltage reference diode, D10 provides a stable reference point on the resistor chain R12-R15 against which the sense point (junction of R19/R20/R112) is compared. R15 is adjusted for 5.1 V \pm 0.1 V.

102. If the sense voltage at R19/R20/R112 is *greater* than the reference voltage at the junction of R13/R14 IC3a output reduces and so does the drive to A2/1 TR1 base. R3 and R11 set the maximum permissible current limits for A2/1 TR1 collector and base respectively. A0/1 TR1 and A2/1 TR1 form a super beta pair with control of A2/1 TR1 base effectively setting the operating point of A0/1 TR1. The emitter of A0/1 TR1 is connected via R19 to the sense point so that reducing the current flowing into A2/1 TR1 base, current flowing through A0/1 TR1 also reduces. The voltage across the load will then fall to cancel the initial increase of sense voltage. This negative feedback system will equalize the voltage at the regulator output and at IC3a pin 3 to a nominal +5 V.

103. C49, C39 and R105 improve the transient response. Current limiting is achieved by monitoring the voltage drop across series resistor R19. Resistors R17 and R112 apply this voltage to IC3b. If due to excess current, the voltage at the junction of R16, R18 and R17 exceeds that on R112, then IC36 pin 7 will go negative, depriving A2/1, TR1 of base current by drawing it instead through R10 and D9. This will restrict the current flowing into the load.

104. In order to visualize the current limiting that occurs consider R16/R18 as a Thevenin equivalent (9.09 k Ω down to -1.09 V) and note that no current flows into IC3b pin 6. As the voltage at pin 5 falls, a lesser voltage at the top of R17 will be sufficient to bring the voltage of IC3b pin 6 up to equal that of IC3b pin 5. This implies a lower voltage across R19, i.e. the overall regulator current limit goes down as the output voltage goes down. This reduces short circuit dissipation in A0/1 TR1. However to provide assistance when fault finding, it is preferable to have some current flowing even under abnormal load conditions. The short circuit current is therefore deliberately not equal to zero.

105. **+12 V supply line.** A0/1 T1 secondary 1 winding is used to supply the bi-phase rectifier D3 which in turn charges C2. A0/1 IC1 and resistor chain A2/1 R4-R6 provide a +12 V regulated output with short circuit current limiting and over temperature protection. The voltage at PLH pin 5 is approximately 1.3 V below that at PLH pins 6 and 7 and the regulator A0/1 IC1 compares the voltage sensed at pins 5 and 7 with an internal bandgap reference. Current then flows out from the regulator via PLH pin 6 until the voltages equalize. PLH pin 7 receives a separate sensing signal from the regulator to improve the load regulation. D5 protects A0/1 IC1 from positive voltages on PLH pin 6 when PLH pin 4 voltage is low. C9 improves the ripple rejection.

106. **-12 V supply line.** Voltage in this circuit is generated in an identical manner to the +12 V supply except that the components are mounted on A2/1 board. One additional component, R108 is fitted to dissipate some of the heat generated and allow a smaller heatsink clip to be fitted to A2/1 IC1.

107. **+24 V supply line & voltage doubler circuit** is used to obtain this low current supply rail which is obtained via A0/1 T1 secondary 1 winding. All the components of the doubler circuit are mounted on A2/1 board. Consider the charge on C3; when the voltage at PLF pin 7 falls below zero C3 is charged through the lower left-hand diode of bridge D4.

108. When the positive phase of A0/1 T1 begins, the positive charge on C3 will start to charge C6 through the upper left hand diode of bridge D4. If little current is drawn the charge on C6 will remain and eventually the voltage across it will build up to the peak output from A0/1 T1 and in addition the peak voltage developed across C3 i.e. approximately twice the peak output of A0/1 T1. C4 charges C6 during the negative cycles of A0/1 T1.

109. C2 regulator is similar in its operation to A0/1 IC1 with resistor chain R7-R9, R8 providing the means of adjustment to +24 V \pm 0.25 V.

Digital control section

110. The circuit shown in Fig. 4-12 below illustrates how the microprocessor communicates with all the instrument latches, other than those on the synthesizer board. It does this over a serial bus which is converted to, and from, parallel data.

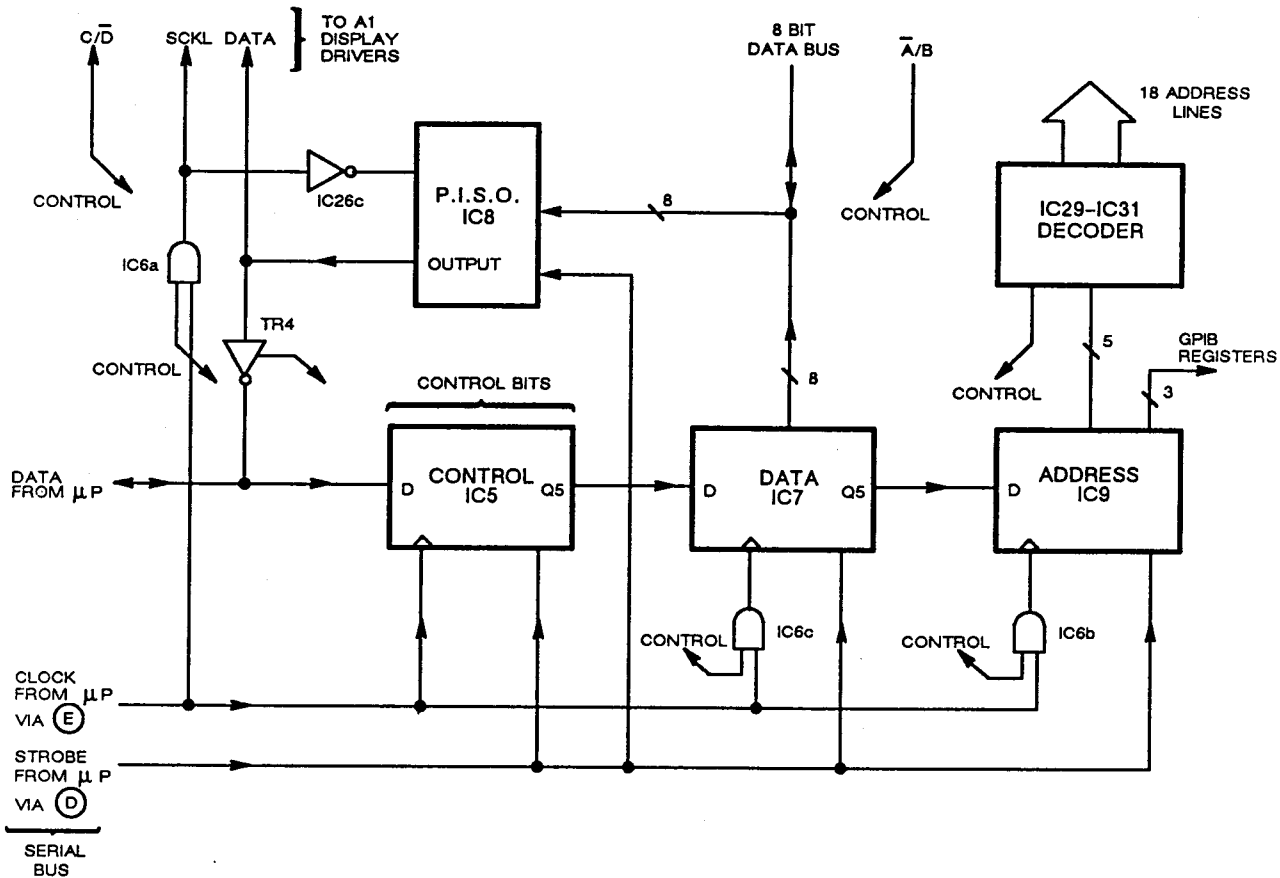


Fig. 4-12 Data conversion, simplified block diagram (A2/1)

111. **Serial to parallel conversion.** Serial data is initially fed to IC5, pin 2 DATA input, shift register and is clocked in on the positive edge of the CLOCK input at IC5 pin 3. After eight bits have been entered, IC5 output Qs begins to change state; IC5 at this point acts like a delay unit eight clock cycles long i.e. data entered on the D input via IC5 pin 2 appears eight cycles later at Qs. It is also possible to transfer data that is clocking through on to the outputs Q1 - Q8. This is done by taking the STROBE line to logic 'high'. IC7 and IC9 are identical to IC5 in operation.

112. Since the clock inputs of IC7 and IC9 are gated (using IC6b and c) to IC5 outputs Q1 and Q2 respectively, IC5 must be loaded with the appropriate control byte before the data and address lines can be set. Having sent the first byte (containing data which will be discussed later), three more bytes need to be clocked through to load IC7 and IC9. The first will go direct to IC9, the second to IC7 and the last to IC5.

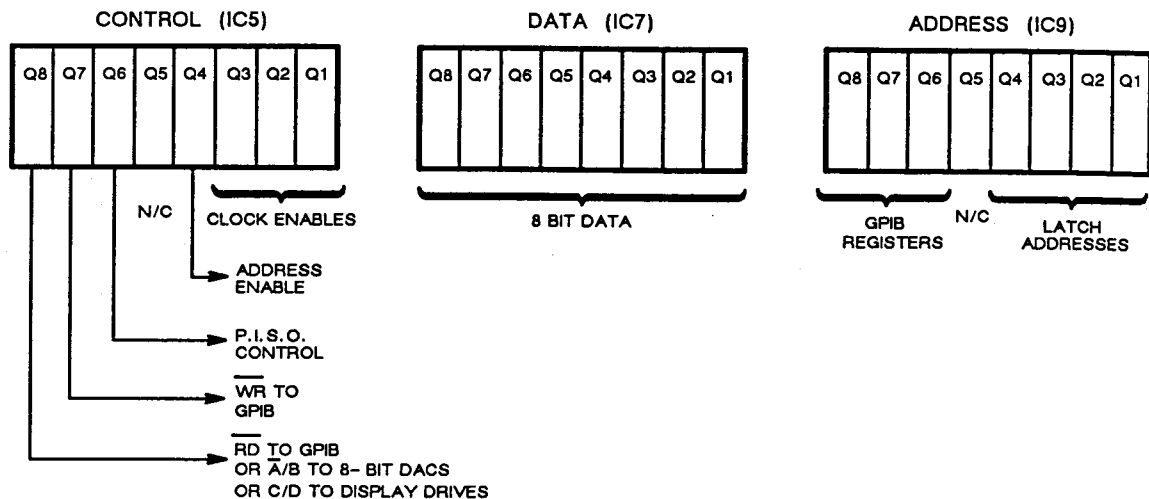


Fig. 4-13 Serial data string (A2/1)

113. The control latch, IC5, sends information to one of three possible destinations:

- Serial data for the display goes via the Display Data Converter (IC8).
- 8-bit bytes for the keyboard and GPIB are sent via Data Converter IC7.
- Outputs Q1 to Q5 of Address Converter IC9 drive a Register Address decoder consisting of IC29-31 which provides address and control signals for various d-a converters and other devices on the A2/1 board.

Note that pin 7 of IC5 provides a strobe line for the Register Address Decoder.

114. If *display* data is required it has to be converted back into serial form before being sent to A1 display drivers, IC1 and IC2. However a variety of *command* data is required when the display is initially set at switch on and the differentiation is made by taking IC5, Q8 'high' instead of 'low'. One of IC30's outputs will be taken 'low'. Data will be accepted on the returning positive edge.

115. **Parallel to serial conversion.** To change from parallel to serial format an 8-bit shift register, which may be pre-loaded, is used (IC8). Data present on inputs D0 - D7 is clocked out on Q8 and either sent to the display, in which case TR3 is switched on (Q6 of IC5 held 'low'), or sent back to the microprocessor. In the latter instance IC5, Q6 is held 'high' and TR4 acts as an inverter. C17, R24 and IC4 act as a monostable with an output duration of approximately 10 μ s. This is triggered on a negative-going edge of the STROBE line. When the STROBE line is asserted 'low', parallel data is forced into IC8. This may then be clocked out by taking IC5, Q3 'high'. The use of a single clock ensures that the clock edges and the data are synchronized.

116. **Interrupts.** The microprocessor will normally be executing a 'zero task' whilst the instrument provides the output signal requested. If a change is required it must first be interrupted and then be made to respond according to the new information presented. The interrupts may be from any of the following four sources:

- GPIB
- Keyboard
- Reverse power protection system
- Modulation signal automatic levelling loop, i.e. signal too high or too low.

117. **GPIB interrupt (High priority).** IC4e pin 3 will be asserted 'high' causing a negative-going edge to be sent to IC12d pin 12 and asserting IC13 pin 12 'low'. IC12d pin 13 will normally be at logic 'high' and IC12d NAND gate will function as an inverter causing a positive edge output to occur at the output on pin 11. This is then fed as the INTERRUPT line via PLL pin 13 to AA2 microprocessor. R25 prevents spurious interrupts if the GPIB is not connected. The microprocessor will react by addressing IC13 latch and reading D3 and D4 outputs to determine whether it is GPIB or keyboard requesting the interrupt. The microprocessor will then execute the necessary tasks to accept incoming data.

118. **Keyboard interrupt (High priority).** Action here is the same as described above, IC6d pin 12 goes 'low' IC6d pin 11 also goes 'low' creating a positive edge on IC12d pin 11.

119. **Reverse power protection system interrupt.** Relay AC1 RLF is normally energized when the instrument is switched on. Should there be an accidental application of reverse power AC1 RLF will trip. A2/1,TR16 is turned off and IC12c pin 8 will go 'low'. IC12c pin 9 will be 'high' therefore asserting IC12c pin 10 'high'. This will cause IC4f pin 4 to go 'low' causing a positive edge on IC12d pin 11. Pin 12 is held 'high' and a positive edge INTERRUPT pulse will again be created on IC12d pin 11 and routed to the micro-processor via PLL pin 13. To monitor keyboard interrupts (those required to reset the RPP) the outputs of IC13 are scanned. If a change is detected the normal keyboard reading sequence will occur but only RPP will have any effect. GPIB interrupts are also dealt with using the scanning process.

120. **Modulation signal automatic levelling loop (ALC) interrupt.** If the modulation signal applied is of a level that takes the control system outside preset limits (0 V and -6 V on IC15b pin 8) an interrupt will be caused. If the modulation level is insufficient, IC12a pin 1 will go 'low' and pin 3 'high'. IC12b pin 6 will normally be set 'high' thus pin 4 will go 'low'. IC12c pin 10 is then set 'high', IC4f pin 4 is sent 'low' and as before a positive edge on IC12d pin 11 INTERRUPT line is created. A similar action occurs if the modulation signal is excessive. This is the only interrupt that can be masked and this is carried out by setting IC11 Q3 'low'. If an interrupt from this system is read the microprocessor will periodically assert IC11 Q3 'high' and check to see if the modulation signal is within the specified limits.

Analogue control

121. **Modulation signal ALC.** This system is always in operation when the instrument is selected to INT MOD but can be selected in or out with the front panel MOD ALC key when in EXT MODulation mode. MOD ALC on is indicated by an LED adjacent to the key. The internal modulation signal is routed through RLA by taking IC11 Q0 'high'. R29 provides an approximate 600 Ω source impedance for the MOD IN/OUT front panel socket SKA.

122. IC15 is configured as a non-inverting amplifier with resistors R113 (adjust EXT MOD), R38, R35-R37 providing a feedback potential divider chain. TR6 is switched on via IC11 Q2 if MOD ALC is not required, this also switches TR7 off to give a fixed gain of nominally 3.54 from the circuit. If MOD ALC is selected TR7 then provides the mechanism for varying the gain of the stage by using it as an approximation to a voltage controlled resistor.

123. D14,C25 peak detect the output signal which is used as an offset against a negative voltage produced by R44,R45 and D15. Both voltages are summed at IC15 pin 9 and if the result is not zero then the output of IC15, pin 8 will integrate up or down charging C26. If IC15 pin 8 output were to increase (due to a low level signal at IC15 pin 7), then TR7 gate would also increase via R40 to turn on TR7 (R39,C24 improve the control/signal isolation).

124. When TR7 turns on its resistance between drain and source reduces and the gain of the stage increases. The output of the amplifier then goes up by a corresponding amount to give the required increase in output voltage. D16 improves speed by preventing C16 charging beyond +0.6 V. When the gate of TR7 is at 0 V, TR7 will be fully on – normal control is usually -3 or -4 V.

125. TR7's control voltage is monitored by IC18a and IC18b. If the level goes above 0 V IC18a's output switches low causing a 'LEVEL LO' interrupt. If the level goes below -6 V then IC18b output decreases and a 'LEVEL HI' interrupt is generated. It will simultaneously increase the signal level required for levelling at IC15a, pin 7. This hysteresis prevents multiple interrupts caused by a low frequency input signal whose level may be at the point of being just too high.

126. **Modulation depth/deviation control.** Three forms of modulation are possible AM, FM, or Φ M. These are controlled by three dual, digital-to-analogue converters (DACs). Both absolute level and calibration data are entered using these digital-to-analogue converters.

127. **Combining Auxiliary, External and Internal modulating signals.** The required combination of internal, external and auxiliary modulation is summed as shown in Fig. 4-14 and the resultant waveform is sent to the reference voltage pin (Pin 4) of multiplying DAC IC19.

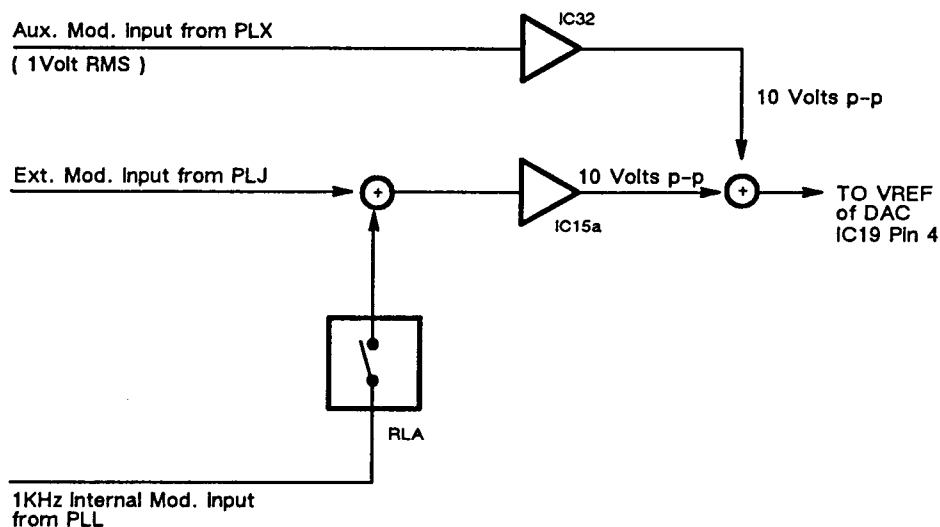


Fig. 4-14 Combining Aux., Ext. and Int. modulating signals (A2/1)

Amplitude modulation above 62.5 MHz

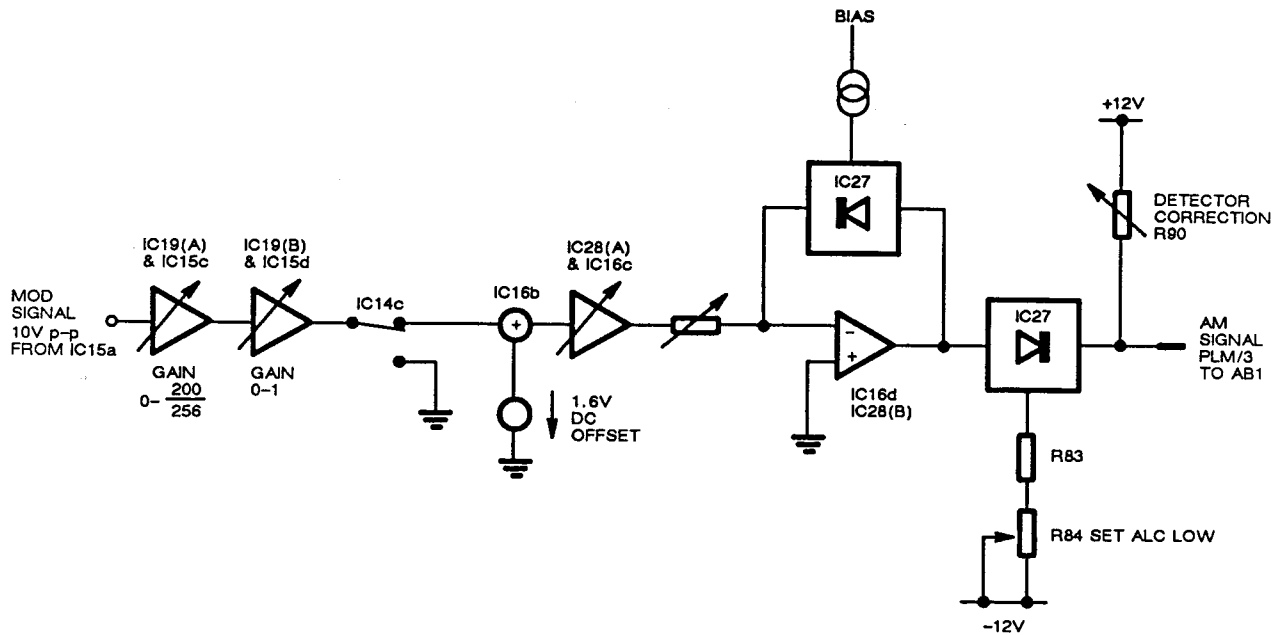


Fig. 4-15 AM signal path >62.5 MHz (A2/1)

128. The series path shown in Fig. 4-15 requires four sets of data to provide the correct signal. IC19(A) is loaded with a number proportional to the AM depth requested and IC19(B) has AM calibration data entered. IC28(B) will contain calibration data for the RF level and finally IC28(A) holds a number equal to the RF output voltage in mV (described in later paragraphs).

129. The AM depth is set by the ratio of modulation signal to DC level at IC28 input, pin 19. If the RF level is changed, the proportion of DC and modulation signal will stay constant and therefore so will the AM depth. AM depth of modulation up to 99.5% may be obtained for output levels up to +7 dBm but beyond this the combination of AM and power level will be restricted to ensure that peak powers of greater than +13 dBm are not requested.

130. If too great an AM depth is requested for a particular power level selected at that time, the power is reduced and a colon is flashed in the RF LEVEL display indicating the change and the new level selected.

131. The detector characteristic present on board AB1/1 is not an ideal one as can be seen in Fig. 4-16. It is therefore necessary to apply correction. At low RF levels (on AB1/1) the detected voltage rises with the square of the RF voltage. As the level increases above approximately 20 mV, however, the relationship becomes linear.

132. Consider Fig. 4-16. If we wish to obtain half the RF voltage $VRFA$, simply halving the reference voltage (and, due to loop action the detected voltage also, $\frac{VA}{2}$), will result in too low an RF level, ($VRFB$). For this reason the drive voltage must be greater at VB. IC27 and its associated circuit provides the necessary detector correction. The circuit is described in the following paragraph.

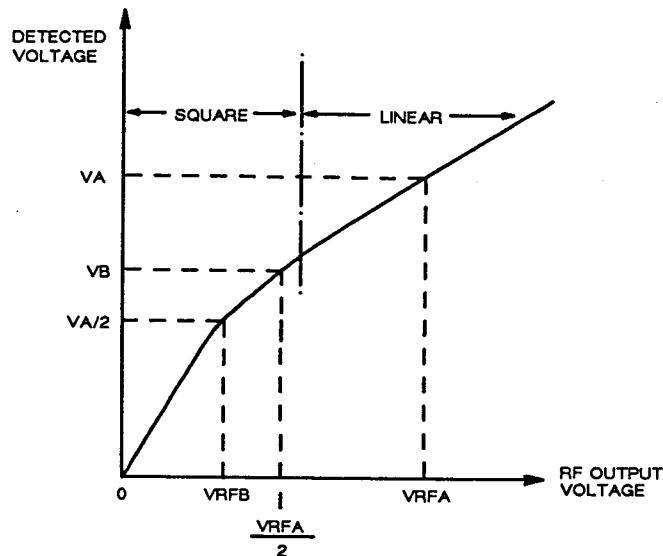


Fig. 4-16 RF detector law (A2/1)

133. **Detector correction circuit.** Two transistors in IC27 are used to pre-distort the signal that drives the envelope feedback system on the RF board, AB1/1. This only occurs at low voltage levels and the amount of shaping is determined by R90 (CORRECT DET) and the potential divider chain R91 to R93. A common drive signal appears on both transistor bases at pins 12 and 9 of IC27. The feedback signal comes from IC27 pin 13 via R85. R88 ensures that the left-hand transistor is never turned off but merely provides temperature tracking of the diode characteristic of the right-hand transistor. The latter actually introduces the square law characteristic. This modified AM drive waveform is finally fed to the RF processing board AB1/1 via PLM pin 3.

Amplitude modulation below 62.5 MHz

134. To obtain the correct depth of modulation on signals below 62.5 MHz two drive signals are required. The first driver provides a fixed modulation at PLM, pin 5 via IC21b. The second driver ensures that the RF level reference that is ultimately applied to AB1/1 comparator is increased by an amount equal to the detector voltage increase due to the AM. If this is not achieved there will be a shortfall in RF level.

135. Fig. 4-17 shows the signal path for the two AM drive signals. IC21b provides the drive for the fixed frequency modulator. The gain of this stage is such to allow the full 100% modulation. Depth is set by data entered into the digital-to-analogue converter IC19(A), and calibration data is entered via IC19(B). R111 prevents capacitive loading affecting IC21b.

136. The modulation signal is also fed via IC14c and IC16b through IC28 and uses the same signal path as signals above 62.5 MHz but in this case the square law transfer characteristic is no longer of any consequence.

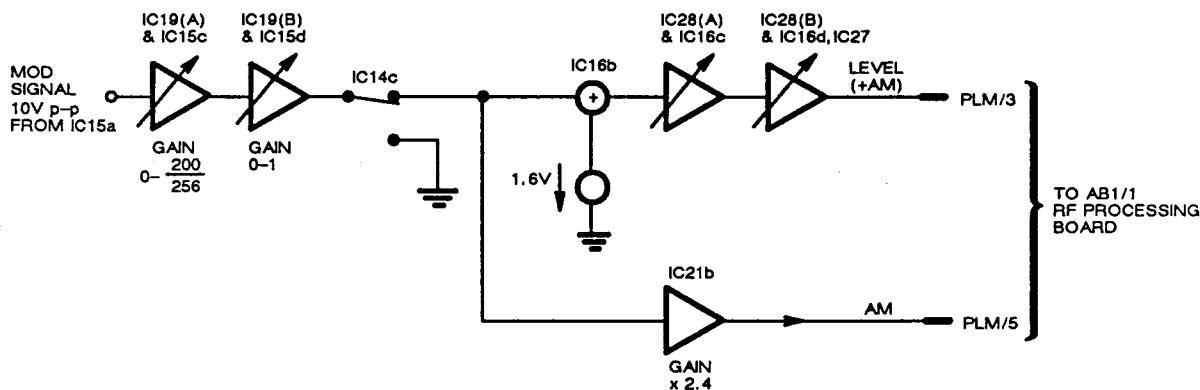


Fig. 4-17 AM signal path <62.5 MHz (A2/1)

Frequency modulation

137. In order to obtain the necessary low modulation frequency response on FM, two signal paths are used. One path drives the VCO tuning line whilst the other is used to modulate the phase of the reference signal used in the 250 - 500 MHz phase locked loop (PLL). If the second path was not included the action of the PLL would be such that where the modulation frequency is below that of the loop bandwidth (200 Hz), it would be removed from the RF signal.

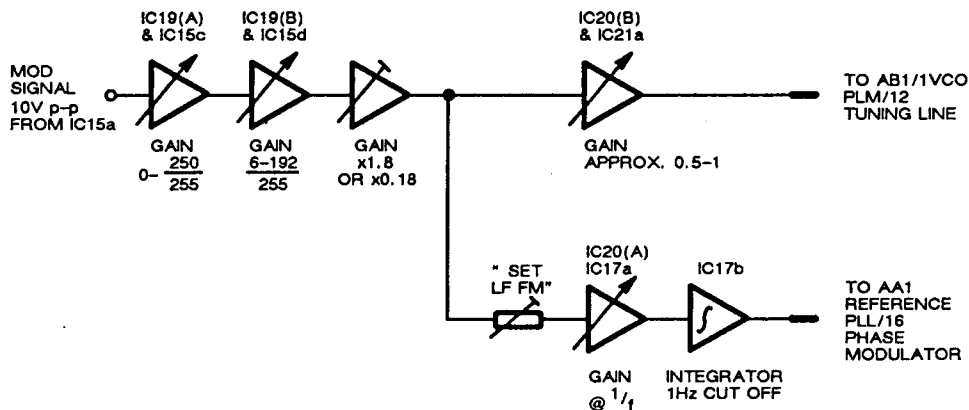


Fig. 4-18 Dual path FM drive (A2/1)

138. VCO tuning line drive. IC19 DAC changes the drive level according to the peak deviation requested. IC19(A) is loaded with a number proportional to that deviation whilst IC19(B) has a multiple of 6 which changes according to the carrier frequency selected and maximizes the resolution of IC19(A).

TABLE 4-1 DAC VALUES FOR VARIOUS FM DEVIATIONS (A2/1)

Deviation	Value in DAC
0 - 249	Deviation
250 - 499	Deviation ÷ 2
500 - 999	Deviation ÷ 5

139. Table 1 shows how a resolution of 0.4% of full-scale deviation is achieved. IC16a has a gain set by R50/R51 or R52/R53 dependent on the value of deviation selected. For values less than 10 kHz it is x0.18 and for deviations between 10 – 100 kHz it is x1.8. MOS switch IC14 effects the change of gain via two output lines from IC11, Q4 and Q5. Control data on these lines are shown in Table 2. Virtual earth switching ensures that the resistance of the switch when on has negligible effect on the gain of the stage. D22,D23, ensure no distortion occurs when a channel is not in use. R31 and R32 provide the correct bias level for IC14 switches.

TABLE 4-2 DECODING OF FM/ΦM FUNCTIONS (A2/1)

IC14		Function
Q4	Q5	
0	0	FM 0 – 9.99 kHz
0	1	ΦM 0 – 9.99 rads
1	0	FM 10 – 99.9 kHz
1	1	Not used

140. IC20(B) is fed from IC16a and the non-inverting input on the associated IC21a, pin 3 is taken to ground on board AB1/1 via PLM, pin 2. This minimizes spurious modulation caused by induced voltages.

141. Reference phase modulator, low FM path. This second path drives a phase modulator on board AA1. To obtain an equivalent frequency modulation the modulation signal must be applied through an integrator. To consider why this is necessary, imagine the effect of a steady voltage being applied to the modulator. Without an integrator a steady phase error would be created. With the integrator however, an increasing phase error with respect to time will occur and this gives the required frequency shift.

142. To maintain the correct loop operation the modulation of both the VCO and the reference phase signal must be identical therefore producing no error signal at the output of AA1 main synthesizer phase detector. To this end IC20(A) is loaded with data that is proportional to the frequency at which the 250–520 MHz synthesizer is operating. As the synthesized frequency increases, the ratio of deviation to synthesizer frequency reduces and a smaller phase change at the phase detector will cancel it out. The reduction of gain in IC20(A), due to its configuration, will track this requirement.

143. The 'SET LF FM' potentiometer R58 and resistors R57, R59 ensure that the above described correction can be attained. Correct setting of R58 will ensure a substantially flat frequency response from less than 10 Hz to well above 25 kHz.

144. IC17b with its associated circuit forms an integrator with a low frequency roll off at approximately 1 Hz. DC feedback is maintained through R71, R72, R62 and R64 and the integrating action is given by R63 and C33. The low frequency cut-off is due to the input coupling capacitor C32 and feedback decoupling capacitor C40. The integrated signal is fed to AA1 via PLL pin 16. In order to optimize the response of low frequency square waves the overall amplitude response of IC17b circuit actually has a slight rise around 1 Hz before dropping off below this frequency at 12 dB/octave.

Phase modulation

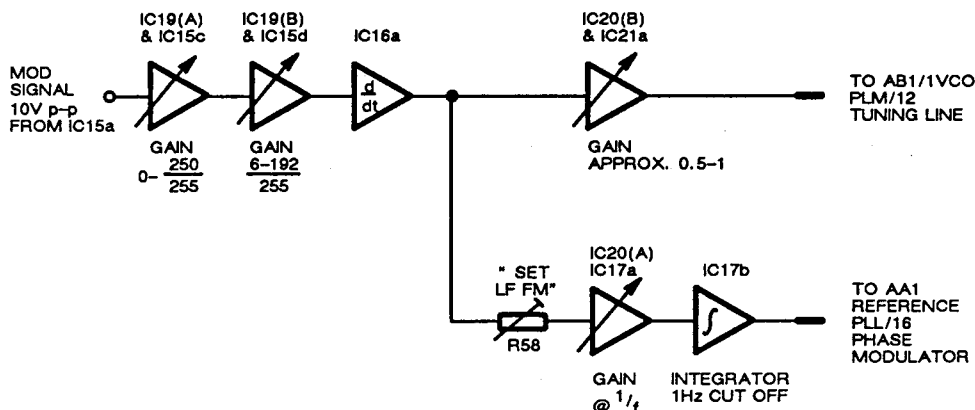


Fig. 4-19 Phase modulation signal path (A2/1)

145. Since this is 'angle' modulation, like FM, the signal path is similar to that described in the frequency modulation paragraphs previously. The only difference being that IC16a is converted from a gain stage to a differentiator providing a 6 dB/octave pre-emphasis. R55, R56 and C29 are set for the main time constant whilst R54 restricts the gain at high frequencies to reduce noise in that area. R56 'SET Φ M' allows calibration of the system.

RF level control

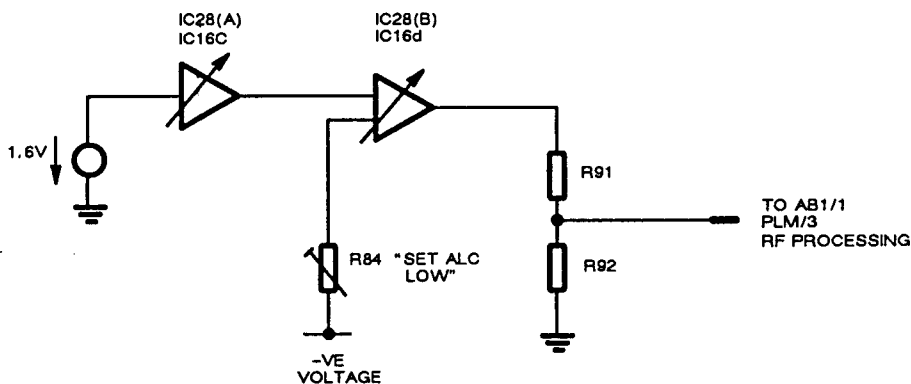


Fig. 4-20 Simplified RF level control signal path (A2/1)

146. This control circuit is used over the complete carrier frequency range. RF processing board AB1/1 requires a voltage that approximates to an offset plus a variable voltage that is dependent on the RF level requested. The square law consideration discussed in the AM modulation paragraphs is of little importance for simple level changes because the range is limited from -8 dBm to +13 dBm. The voltage at PLM pin 3 must correspond to approximately twice the actual peak RF level requested due to the 50 Ω source resistor on board AB1/1.

147. IC16b with R70 and R74 provide a constant voltage of -1.6 V. C52 decouples the reference line to ground. Data is entered into the digital-to-analogue converter, IC28 in one of two formats. For RF output levels below +2.9 dBm, a number proportional to the output voltage is sent to IC28(A) whilst a calibration value (which could be up to 255₁₀) is entered into IC28(B).

148. If the RF level requested is greater than +2.9 dBm, then the value in IC28(A) is reduced by a factor of $\sqrt{10}$ and the calibration value is increased by the same amount.

149. R84 'SET ALC LOW' and R88 allow the required offset to be introduced. This is effected at Pin 9 of IC27. The DC level is then transferred to AB1/1 via the base emitter junction of the right-hand transistor of IC27, potential divider R91, R92 and PLM pin 3.

RF filter tuning

150. Two tracking filters are used on board AB1/1. One is a notch used to reduce the second harmonic component of the oscillator output; the other is a band-pass filter used to reduce unwanted components on the doubler output. The latter has no means of adjustment and so calibration data is entered into A2/1 IC23(B) to ensure that the band-pass filter operates at the correct frequency. The notch filter is then adjusted to reject the second harmonic of the oscillator output with the oscillator set to its lowest operating frequency (250 MHz). The tuning law of the band-pass filter and notch are sufficiently alike to allow the same tracking data to be used in both cases.

151. IC23, pin 18 is coupled to the -12 V line, this is inverted and then multiplied by IC17d. TR13 ensures that the maximum tuning range is available, allowing PLM pin 15 to be taken to within 0.5 V of the +24 V rail. R80, R81 provide the correct bias for TR13 and R82 increases the gain of IC23(B) from x1 to approximately x2.

Reverse power protection switching and attenuator drive

152. IC22, IC18c and IC18d with their associated circuits control the operation of AC1 attenuator relays. Latch IC22 is fed with data dependent on the level of fixed attenuation required, details of which can be seen in Table 4-3.

TABLE 4-3 ATTENUATOR SWITCHING LOGIC (A2/1)

Attenuation	Q ₀	Q ₁	Q ₂	Q ₃	Q ₄
0 dB	1	1	1	1	1
10	1	1	1	0	1
20	1	0	1	1	1
30	0	1	1	1	1
40	0	1	1	0	1
50	0	0	1	1	1
60	0	1	1	1	0
70	0	1	1	0	0
80	0	0	1	1	0
90	0	1	0	1	0
100	0	1	0	0	0
110	0	0	0	1	0
120	0	0	0	0	0

153. When the required selection is made the respective Q output line(s) are grounded and the associated transistor (TR8-TR12) is turned on. Base current flows via the load resistors (R75-R78) and diodes D17-D21 protect the transistors from the large negative-going inductive spikes created when the relays are turned off. Relay current flows via PLN pins 2-7. Thus if a particular pad is required current is supplied to that pad's relay.

TECHNICAL DESCRIPTION

154. IC18c and IC18d are comparators monitoring the voltage levels present on the attenuator. If PLN pin 9 voltage should exceed +0.04 V (when a voltage overload is applied to the RF OUTPUT socket) IC18c will switch its output to a high level. D24 and D26 then conduct and turn off TR16. This in turn will cause the RPP relay AC1 RLF to drop out and at the same time initiate an interrupt, RPP TRIPPED L, to the micro-processor. This would be in the form of a logic 'low' level applied to IC13 pin 6 via R104.

155. Similarly, if a negative voltage overload is applied to the RF OUTPUT socket this will cause PLN, pin 10 voltage to fall below -0.04 V. IC18d output will be set 'high' and again TR16 will be turned off via D15, D26 and R101. R103 ensures that the energy stored in the RPP relay is dissipated in the least time possible.

156. **RPP reset.** If either IC18c or IC18d output goes 'high', R100 pulls the comparison level of IC18d above 0 V. Since AC1 negative detector D2 will be unable to reach this level IC18d would remain at logic 'high' output even after the overload is removed. It is therefore necessary to apply an external reset. When the RPP is tripped the keyboard is disabled with the exception of the RF LEVEL key. The REV PWR annunciator will flash on the RF LEVEL display to indicate the presence of an overload. No further keyboard operation can be made until the RPP is reset by pressing the RF LEVEL key.

157. On pressing the key IC22, Q5 output will be set from 'low' to the 'high' state, the positive edge is transferred via C38, to the junction of R96, R97. If the magnitude of the detected voltage is less than 40 mV IC18d output will change from 'high' to a 'low' state and TR16 will again be turned on. AC1, RLF energizes and normal operation is resumed. If the overload is still present IC18d output will remain 'high' and the RPP will not reset.

Jitter correction drive

158. In order to reduce phase jitter of the carrier frequency which is introduced by the fractional N technique, an offsetting phase error is required. A circuit on the Synthesizer board AA1 generates this but a reference voltage, inversely proportional to the synthesized frequency is required. IC23(A) and its associated circuit provide this function.

159. R66, R68 and R67, CORRECT JITTER, provide an adjustable reference that feeds digital-to-analogue converter IC23(A). IC17c and IC23A are configured to give a gain that is inversely proportional to the value of data entered into the digital-to-analogue converter. The eight most significant bits of the synthesizer frequency are entered into the digital-to-analogue converter and thus the output of IC17c pin 8 will be a voltage that goes down as synthesizer frequency goes up. It is sent to AA1 via PLL pin 1 as the JITTER CORRECTION REF.

DISPLAY AND KEYBOARD (A1)

Circuit diagram : Fig. 7-3

160. The keyboard facilitates instrument operation by interrupting the microprocessor (through a priority tree) which runs an interrogation of the keyboard matrix to locate the switch selection. The microprocessor then runs a new task appropriate to the key(s) pressed. Information giving the current state of the instrument is continually displayed and includes frequency, RF level and modulation.

161. Data is displayed on a combined two phase multiplexed liquid crystal display (LCD). Eight light emitting diodes (LEDs) are also used to indicate the function currently selected. Two specialized integrated circuits convert serially transmitted information into the waveforms required to drive the LCD. Drive information for the LEDs is provided by a single latch.

Keyboard operation

162. Switches are arranged in a six-by-six matrix and are connected in rows to IC3 data latch. Initially the rows are set to a logic 'low' level. The columns of the matrix are connected to R9 pull-up resistors, which initially set all the columns to logic 'high' level. One of the resistors, R9(h) is a pull-up for D9-D14 six input gate. This gives an OR function using negative logic convention.

163. The columns drive both the six input gate and IC5 data latch. IC5 controls the data bus via SKK pins 5-8 and 13-16. When a key is pressed a connection will be made from the column that the key is in to the row that the key is in. This causes the column to be asserted 'low' because all of IC3 Q outputs are held logic 'low'. A connection from the diode gate is also made to the microprocessor via SKK pin 11. This line KEYBOARD INT L when asserted 'low' causes the microprocessor to commence running a new task. This will in turn assert all but one of IC3 Q outputs logic 'high'; each output in turn then reverts to logic 'low' commencing with Q0. As this occurs the columns are monitored by IC5.

164. If the 6-bit word being output by the matrix is not all '1's then the word is digitally rotated to find which column has a logic 'low' on it. The combination of row and column data thus obtained is used to address a look up table which gives the code of the key pressed.

LED display

165. The eight diodes D1-D8 provide 'state' information relating to the function switches. This allows unambiguous keyboard operation. IC4 is an eight-bit data latch that drives the LEDs through R10-R13 current limiting resistors. Only four resistors are required for the eight LEDs because only one diode of D4-D8 will be lit at any one time. Data is placed on the bus and then chip select CS4 is taken to logic 'high' momentarily. All IC4 outputs are continuously enabled and thus any of the inputs, D0-D7 which were 'high' when CS4 went 'high' will give a logic 'high' output on Q0-Q7. The nominal diode current taken by a diode when operating is approximately 15 mA.

LCD display

166. IC1 and IC2 are the LCD controllers which accept complex strings of serial information on pin 9 via the Serial Input (SI) line. They are able to store this and use it to control which of the 128 display segments are turned on. Chip select lines CS1 and CS2 determine which IC is to receive data and the Command/Data (C/D) line determines the way that the data is processed.

167. Serial Clock Low (SCK L) line is clocked from A2/1 board via SKK pin 2. The positive-going edge of SCK L cues the selected IC so that the serial input, S1 line can be read. The display has two phases of backplane drive to enable two segments to be connected with a single drive point. This halves the number of drive points required.

168. R8 sets the internal clock frequency for both IC1 and IC2 and is divided by 211 which actually results in a backplane frequency of approx. 40 Hz for display driving. The common connection between pin 2 of IC1 and IC2 ensures that both are synchronized. Reset lines are coupled together and then connected via SKK, pin 18 to a latch on A2/1 board. At switch on and at any time the +5 V rail falls below a preset value the reset line will be asserted logic 'low' and all data will be cleared from IC1 and IC2. It is necessary to hold this line 'low' until the correct supply voltage is available to ensure synchronization of the display backplane drives.

169. The display drive waveform is switched between three voltage levels provided by TR1 and R1-R7. These are nominally (i) VLCD₃ (+0.9 V) (ii) VDD (+5 V) (iii) VLCD₁ (+3 V), midway between VDD and VLCD₃. The voltage on TR1 collector varies with temperature to match changes that occur in the LCD fluid.

Two phase multiplexing

170. Liquid crystal displays are passive unlike LED active displays, which convert energy into light. In the 2022C, multiplexed LCDs use a feature of the fluid in the device to provide the display required. Changes in the polarization of light passing through it do not occur until a certain RMS voltage is reached. Once this level has been exceeded the segments to which the signal is being applied appear dark.

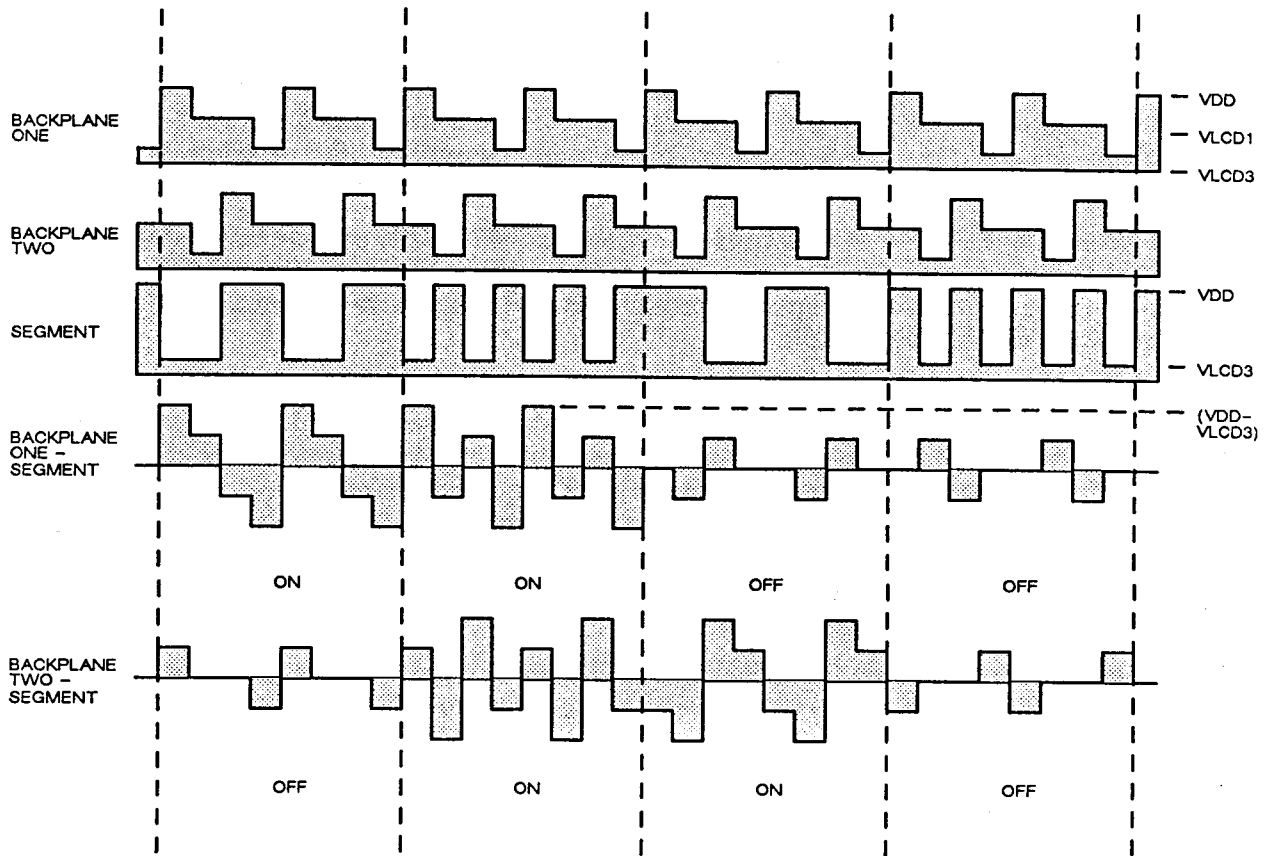


Fig. 4-21 Typical waveforms, LCD drive waveforms (A1)

171. Fig. 4-21 shows typical waveforms generated at IC1 and IC2. There is a $\sqrt{5}:1$ difference in the RMS voltage between segment and backplane plates depending on whether the segment is on or off. The backplanes remain as shown with a 180° phase difference whilst the segment drive takes up one of four possible forms to produce the four states required.

10 dB STEP OUTPUT ATTENUATOR (AC0/A2/1)

Circuit diagram : Figs. 7-5 & 7-9

172. Instructions to operate the attenuator pads are initiated by means of the keyboard and are then processed by the microprocessor via data lines D0-D4. A2/1 board IC22 receives a logic 'low' instruction to cause one (or more) of five control transistors TR8-TR12 to turn on. This in turn completes the current path for one or more selected relays on board AC1 via PLN pins 2-7. Relays RLA-RLE are normally de-energized until the current path for the attenuator pad(s) relay is completed. When this occurs current flows through the respective attenuator pad(s) relay and the contacts then make to bring the pad(s) into circuit.

173. Diodes D17-D21 on A2/1 board act as clamps to protect the open collector drivers TR8-TR12 from inductive spikes. When a relay is de-energized the stored magnetic field causes a large negative-going voltage spike on the control line which is clamped by the diodes. Adjustment to the attenuator pads are made by means of screws in the lid. Frequency response is optimized by the adjustment of small flags which are moved by these screws. Each pad is set up separately and requires the use of specialist measuring facilities. It is therefore recommended that this is carried out by the nearest Marconi Instruments Agent or Service Division.

174. Each attenuator pad consists of 3 precision resistors that provide attenuation of 10 dB, 20 dB or 30 dB. Logic selection for each of the 10 dB steps from 0 to 120 dB is shown in Table 4-4.

TABLE 4-4 ATTENUATOR LOGIC (AC0 and A2/1)

dB		0	10	20	30	40	50	60	70	80	90	100	110	120
Pads in circuit	A 30 dB				X	X	X	X	X	X	X	X	X	X
	B 20 dB			X			X			X			X	X
	C 30 dB										X	X	X	X
	D 10 dB			X			X			X			X	X
	E 30 dB							X	X	X	X	X	X	X

X = Relay energized

Reverse Power Protection (AC0 and A2/1)

175. Resistors R16 and R17 form a high impedance RF signal divider at the output of the attenuator which is used to sense the RF present at the output of the attenuator. Diodes D1 and D2 peak detect the signal level onto C14 and C16. The resulting DC is connected for use in the RPP system. If the signal level exceeds a preset limit relay RLF de-energizes and sets the contacts to open circuit the output to SKAF, thus protecting the attenuator from excessive power dissipation.

176. Decoupling capacitors C1-C12 and inductors L1-L8 reduce coupling of RF voltages present inside the attenuator onto drive lines outside the box.

GPIB ADAPTER MODULE (AD0)

Circuit diagram : Fig. 7-10

177. This optional module, when fitted to the rear panel, allows direct connection to a GPIB controller and provides full talker/listener facilities to IEEE 488 specifications.

178. GPIB talker/listener integrated circuit IC2, is connected to A2/1 board via SKP providing both talker and listener capabilities, details of these are given in Chapter 3 of the Operating Manual. IC2 contains the gating registers and control circuit needed to interface between the GPIB and the instrument's 8-bit bus. Fig. 4-22 shows the basic structure of the device. In its most elementary form data is entered into one of the internal registers and then transferred to the GPIB or instrument bus depending on whether a talk or listen mode is chosen. Further information on the general features and applications of the GPIB system can be obtained from the separate GPIB manual (see Vol. 1, Optional accessories).

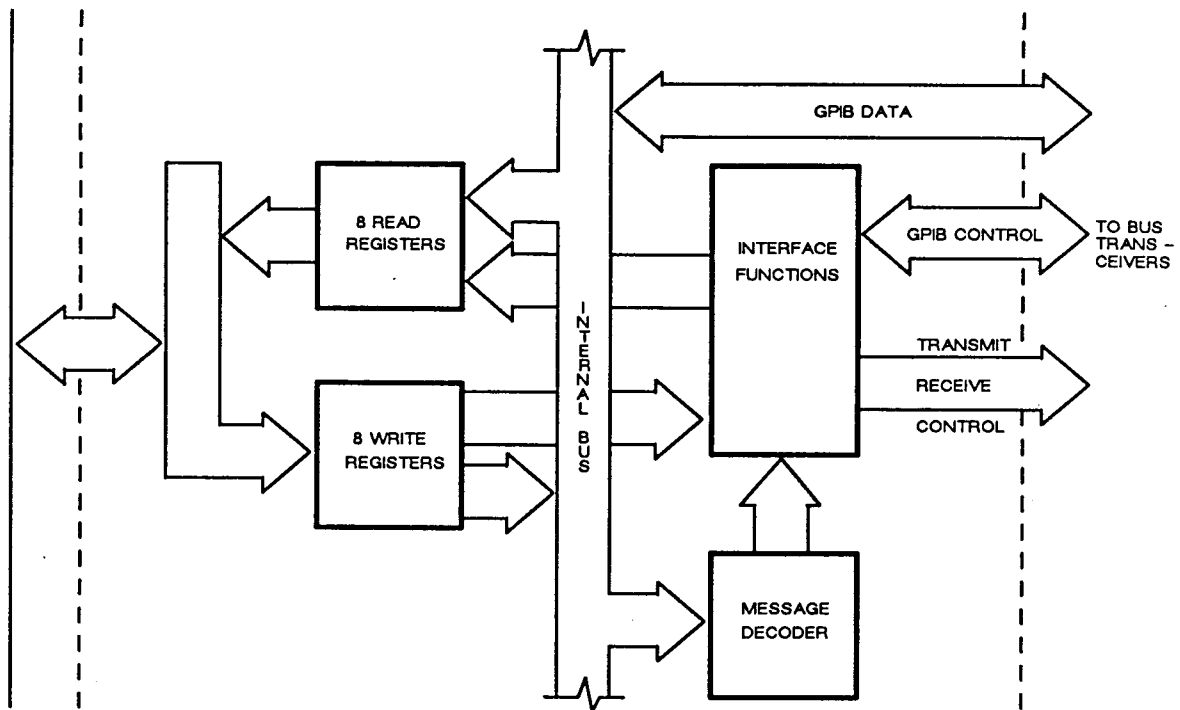


Fig. 4-22 Internal structure of GPIB talker/listener integrated circuit, IC2 (AD0)

179. IC1, R1 and C8 operate as an independent clock whose frequency (between 1 and 2 MHz) is used to generate a delay of approximately 2 μ s allowing the bus to settle after sending data. IC1a is a Schmitt triggered input inverter with R1 and C8 providing positive feedback to complete the oscillatory circuit. IC1b buffers the clock signal, which is fed directly to IC2, GPIB chip.

180. Sixteen lines are buffered by IC3-IC6, these act as transceivers and are used to translate the negative true logic and act as drivers. Data lines, DAV, NDAC, NRFD and EOI lines have bi-directional buffers. The remaining lines with the exception of the SRQ line are receivers. IC1e,f provides the logic 'low' level for the receive instruction T/R to IC4 pins 7 and 9; or the talker 'high' level for IC4, IC5 and IC6 and also provides additional buffering for the three ICs in line. IC2 pin 2 controls the mode of the EOI line.

THIS PAGE INTENTIONALLY LEFT BLANK.

SECOND FUNCTION OPERATIONS

181. Second function operations provide the means of controlling various secondary features and calibrations within the instrument. There are three levels of operation, two of which require unlocking in order to gain access. Each level of operation and method of access is described below.

182. Normal operation

Second functions	'0'	Unlock
	'1'	Status information
	'2'	GPIB address setting
	'3'	Manual latch setting
	'4'	SRQ mask setting
	'5'	Read identity string
	'6'	Front panel 'Test display'
	'7'	Reserved for future use
	'8'	Reserved for future use
	'9'	Read elapsed time since last reset

These functions are unprotected and may be accessed directly:- Press 2ND FUNCT followed by the numeral required.

183. First level operation

Second functions	'10'	Record external freq. std. choice
	'11'	Read identity string
	'12'	Write user-definable string (GPIB only)
	'13'	Read user-definable string (GPIB only)
	'14'	Set RF level units setting
	'15'	Set RF level offsets
	'16'	Recall STORE 10 at switch-on
	'17'	Reserved for future use
	'18'	Reserved for future use

These functions have **first degree protection** and are accessed by the following procedure:- Press 2ND FUNCT 0, then the ↓ (decrement) and MOD ALC keys simultaneously, holding both these down until a '1' appears in the Frequency display. Follow this by again pressing 2ND FUNCT, and the numerals required.

184. Second level operation

Second functions	'190'	Set identity string
	'191'	FM tracking calibration
	'192'	RF level calibration
	'193'	Voltage tuned filter (VTF) calibration
	'194'	AM calibration
	'195'	Calibration and storage of amended EAROM checksum
	'196'	Protection of store settings
	'197'	Display blanking of recalled stores
	'198'	Read total instrument operating time
	'1990'	Reset of second function 9 elapsed time.
	'1991'	Reset non-volatile stores.

These functions have **second degree protection** and are accessed by the following procedure:- 2ND FUNC 0, then in the following order ↓ (decrement), MOD ALC, 4 and kHz keys, holding down all four until a '2' appears in the Frequency display. Follow this by again pressing 2ND FUNCT and the numerals required.

185. Second function '3' Manual latch setting. Second functions that are used in normal operation of the instrument are described in the Operating Manual Vol. 1. Second function 3 Manual latch setting, however, is used only in maintenance applications and is therefore described here. This facility allows the operator to direct a 6 or 8 bit binary instruction to any of the instrument's internal latches or registers for testing and fault finding. The latch is accessed by first selecting 2ND FUNCT 3 mode then keying in the address number, 00 to 35. Latch address numbers are identified in both Chap. 7, Servicing diagrams and Chap. 5, Maintenance.

186. Selection of second function 3 results in the following display:-

--	
	3

The instrument now awaits entry of the latch number which will be displayed in the carrier frequency window until selection is completed. When this occurs the display will change to one of two formats depending on whether a 6-bit or an 8-bit latch has been addressed.

187. 6-bit latches. When the address latch number has been entered the display will change and the current value of data normally applied to the latch is presented in *binary* notation as shown in the example below:-

X X X X X X	
Y Y	3

Where XXXXXX = binary data
 YY = latch number
 3 = second function selection

188. Data can now be entered in binary (6 digits 000000 to 111111), with data being shifted in, most significant bit first. When data is satisfactorily set press the STORE key to terminate the entry; the decimal points will flash briefly to indicate that the data has been sent.

189. 8-bit latches. Selection of an 8-bit latch or register will result in an identical initial display as that shown for a 6-bit latch selection. However, when address selection is complete data is displayed not in binary but decimal notation in the following manner:-

Z Z Z - - -	
Y Y	3

Where ZZZ = present decimal data
 --- = new data entry point
 YY = latch number
 3 = second function selection

SECOND FUNCTION OPERATIONS (see SECURITY NOTICE on page ii)

181. Second function operations provide the means of controlling various secondary features and calibrations within the instrument. There are three levels of operation, two of which require unlocking in order to gain access. Each level of operation and method of access is described below.

182. Normal operation

- | | | |
|------------------|-----|------------------------------------|
| Second functions | '0' | Unlock |
| | '1' | Status information |
| | '2' | GPIB address setting |
| | '3' | Manual latch setting |
| | '4' | SRQ mask setting |
| | '5' | Read identity string |
| | '6' | Front panel 'Test display' |
| | '7' | Reserved for future use |
| | '8' | Reserved for future use |
| | '9' | Read elapsed time since last reset |

These functions are unprotected and may be accessed directly:- Press 2ND FUNCT followed by the numeral required.

183. First level operation

- | | | |
|------------------|------|---|
| Second functions | '10' | Record external freq. std. choice |
| | '11' | Read identity string |
| | '12' | Write user-definable string (GPIB only) |
| | '13' | Read user-definable string (GPIB only) |
| | '14' | Set RF level units setting |
| | '15' | Set RF level offsets |
| | '16' | Recall STORE 10 at switch-on |
| | '17' | Reserved for future use |
| | '18' | Reserved for future use |

These functions have **first degree protection** and are accessed by the following procedure:- Press 2ND FUNCT 0, then the ↓ (decrement) and MOD ALC keys simultaneously, holding both these down until a '1' appears in the Frequency display. Follow this by again pressing 2ND FUNCT, and the numerals required.

184. Second level operation

- | | | |
|------------------|--------|---|
| Second functions | '190' | Set identity string |
| | '191' | FM tracking calibration |
| | '192' | RF level calibration |
| | '193' | Voltage tuned filter (VTF) calibration |
| | '194' | AM calibration |
| | '195' | Calibration and storage of amended EAROM checksum |
| | '196' | Protection of store settings |
| | '197' | Display blanking of recalled stores |
| | '198' | Read total instrument operating time |
| | '1990' | Reset of second function 9 elapsed time. |
| | '1991' | Reset non-volatile stores |

These functions have **second degree protection** and access to Second level operation is restricted to authorized calibration units only. Interference with these second functions could invalidate the instrument's calibration.

TECHNICAL DESCRIPTION

185. Second function '3' Manual latch setting. Second functions that are used in normal operation of the instrument are described in the Operating Manual Vol. 1. Second function 3 Manual latch setting, however, is used only in maintenance applications and is therefore described here. This facility allows the operator to direct a 6 or 8 bit binary instruction to any of the instrument's internal latches or registers for testing and fault finding. The latch is accessed by first selecting 2ND FUNCT 3 mode then keying in the address number, 00 to 35. Latch address numbers are identified in both Chap. 7, Servicing diagrams and Chap. 5, Maintenance.

186. Selection of second function 3 results in the following display:-

--	
	3

The instrument now awaits entry of the latch number which will be displayed in the carrier frequency window until selection is completed. When this occurs the display will change to one of two formats depending on whether a 6-bit or an 8-bit latch has been addressed.

187. 6-bit latches. When the address latch number has been entered the display will change and the current value of data normally applied to the latch is presented in *binary* notation as shown in the example below:-

X X X X X X	
Y Y	3

Where XXXXXX = binary data
 YY = latch number
 3 = second function selection

188. Data can now be entered in binary (6 digits 000000 to 111111), with data being shifted in, most significant bit first. When data is satisfactorily set press the STORE key to terminate the entry; the decimal points will flash briefly to indicate that the data has been sent.

189. 8-bit latches. Selection of an 8-bit latch or register will result in an identical initial display as that shown for a 6-bit latch selection. However, when address selection is complete data is displayed not in binary but decimal notation in the following manner:-

Z Z Z - - -	
Y Y	3

Where ZZZ = present decimal data
 --- = new data entry point
 YY = latch number
 3 = second function selection

Decimal data entered will shift in most significant digit first. On completion press STORE key, when the data on the right of the display will be sent to the latch. This is indicated by the instrument copying the new entered data into the left side of the frequency window and replacing the right side with " --- ", ready for a further entry.

190. Any new data sent to a 6-bit or 8-bit latch will remain valid until the manual latch addressing mode is terminated by pressing one of the mainfunction keys. At this time the latch data will be restored to its normal status.

191. **Second function '190' Set identity string.** This facility is second degree protected and is only normally required to initialize the instrument. The identity string shows the instrument type number and serial number. This information can be read via the GPIB. A typical display is described in the Operating Manual Vol. 1, Second function 5, Read identity string. Instrument type number and software issue number is shown first e.g. 52022-930, then the software issue number e.g. 004. This cannot be changed via the keyboard as it is built into the software. Pressing the '.' decimal point key then allows the second half of the string containing the serial number of the instrument to be entered.

192. Entering digits first clears the display and then rotates the numbers in from the right-hand side of the frequency display. When setting the first half of the string the most significant digit will be entered but will rotate off the end of the display. Press STORE to terminate this entry. Press '.' (decimal point) to display the second part of the string and key in the nine digits required to enter the serial number, in this event the two most significant digits will not be displayed. Again press the STORE key to terminate the entry. In each case pressing the STORE key will show the new data in the normal display format.

193. **Second function '191' FM tracking calibration.** The FM tracking calibration data consists of two tables of calibration points. The first, which covers the frequency range 250.0000 MHz to 352.9999 MHz, has 25 calibration points spaced 4.12 MHz apart, with the exception of point 24 which is 100 Hz less than 4.12 MHz (4.1199 MHz) to avoid overlapping with the higher table. The second table covers frequencies from 353.0000 MHz to 499.9999 MHz and also has 25 points, each 5.88 MHz apart except for the 25th point. This is again 100 Hz less (5.8799 MHz), to avoid overlapping with point 24. Details of the calibration procedure are given in Chap. 5 Maintenance.

194. **Second function '192' RF level calibration.** The output level is calibrated at 11 selected reference points, each point is numbered from 00 to 10 with the selected point displayed in the modulation window. Point 00 is at 15 MHz and points 01 to 10 are spaced at intervals of 100 MHz, starting at 100 MHz and finishing at 1000 MHz. Existing calibration data is shown on the left side of the frequency window in decimal form, new data when it is entered is displayed on the right. Pressing the STORE key transfers the new data to the non-volatile (EAROM) memory.

195. **Second function '193' Voltage tuned filters (VTF) calibration.** The voltage tuned filter (VTF or Output harmonic control) calibration table consists of 6 points running from 500 MHz to 1000 MHz in 100 MHz steps. Display and calibration procedures are identical to those described in the FM tracking and RF level calibration paragraphs.

196. **Second function '194' AM calibration.** Only two calibration points exist for AM. Point 00 is calibrated at 15 MHz and point 01 is calibrated at 100 MHz. Calibration is as described in previous paragraphs with the user entering decimal data on the right side of the frequency window then pressing the STORE key to save the new data in the EAROM.

197. **Second function '195' Calculation and storage of amended EAROM checksum.** A check on the serviceability of both PROM and RAM is carried out before the instrument's initial operating mode is displayed and a checksum is initiated on the EAROM stored data. If either PROM or RAM checks are in error the instrument will be unable to take up the initial operating mode and instead will display an error message, either 06 or 08, depending on the fault. Error messages are described in the Operating Manual Vol. 1. If a new non-volatile EAROM has been fitted or if new RF level calibration or FM tracking data has been entered (as a result of recalibration) the checksum will not agree and Error number 07 will be displayed in the carrier frequency window until a key is pressed. To recalculate the EAROM checksum enter 2ND FUNC 195 (which will display the current checksum) and press the STORE key. The instrument will re-calculate the checksum, store it in EAROM and display 000 to indicate the completion of the task.

198. **Second function '196' Protection of store settings.** This facility disables the operation of the STORE key in the normal mode of operation in order to provide protection against inadvertent alteration. On selecting second function 196 the frequency window gives a display of either '0', '1', '2' or '3'. These numbers indicate the following:-

- 0 = stores unlocked, offsets unlocked
- 1 = stores locked, offsets unlocked
- 2 = stores unlocked, offsets locked
- 3 = stores locked, offsets locked

Attempts to overwrite the store contents when protected will result in Error message 18 being displayed in the carrier frequency window.

199. **Second function '197' Display blanking of recalled stores.** This facility enables restrictions to be exercised on the display of data set in stores should this be of a classified nature. Front panel display information is blanked when any store (other than 00) is recalled. All information concerning the existing status, with the exception of error messages and total shift data is prevented from reaching the display. Select '1' followed by the STORE key to enable the facility. To disable the facility and return the instrument to the normal display mode press '0' and STORE keys. Recall of store 00 will always give a valid display of that stores contents regardless of the state of second function '197' and will also return the instrument to the normal display mode.

200. **Second function '198' Read total instrument operating time.** This *read only* facility gives the total number of operating hours since instrument manufacture. Selection of this second function will display the record of elapsed time (in hours), in the carrier frequency window with a resolution of 0.5 hrs. When first receiving the instrument a display of time will be evident, reflecting the time spent during manufacture.

Note ...

There is no facility for resetting the total instrument operating time.

201. **Second function '1990' Reset second function 9 elapsed time.** This elapsed time facility can be reset to zero by means of this second function control. When wishing to reset, first select second function '1990' then press the 'STORE' key.

202. **Second function '1991' Reset non-volatile stores.** This function permits all of the instrument's 100 stores to be reset to their default settings. To operate, select second function '1991' then press the 'STORE' key. Note that it will take the instrument about 40 seconds to do this.

Chapter 5-0

MAINTENANCE

CONTENTS

Para.

- 1 Introduction
- 3 Safety precautions
- 4 Handling precautions
- 7 Recommended test equipment
- 8 Access and removal of boards
- 9 AA1 and AA2 boards
- 11 AB1 board and removal of AB0 unit
- 13 A2/1 board
- 16 A1 keyboard
- 17 Rear panel mounting of RF OUTPUT socket

Table

		Page
5-1	Recommended test equipment	2
5-2	Decibel conversion table	4

Fig.

5-1	Access and layout	7
-----	--------------------------	---

INTRODUCTION

1. This chapter provides servicing support information for the three chapters which follow :

- 5-1 : PERFORMANCE TESTING – procedures for verifying that the equipment complies with the Performance Data in Chap. 1.
- 5-2 : ADJUSTMENT AND CALIBRATION – tests and adjustments for restoring the equipment to peak performance.
- 5-3 : FAULT DIAGNOSIS – procedures for localizing faults, first to sub-assembly level (normally a printed circuit board), and then to component level.

2. In case of difficulties which cannot be resolved with the aid of this manual, please contact our Service Division at the address at the rear of the manual or your nearest Marconi Instruments representative. Always quote the type number and serial number found on the instrument data plate.

SAFETY PRECAUTIONS

3. Although this equipment has been designed and constructed in accordance with international safety standards, it is important that the advice given under SERVICING PRECAUTIONS at the front of this manual should be observed in all maintenance procedures to ensure safe working practices.

HANDLING PRECAUTIONS

4. **Integrated circuits** and semiconductor devices are used throughout this instrument and, although these have inherent long term reliability and mechanical ruggedness, they are susceptible to damage by overloading, reverse polarity and excessive heat or radiation and the use of insulation testers.
5. **Static sensitive components.** The CMOS integrated circuits used in this instrument have extremely high input resistance and can be damaged by accumulation of static charges (see page iii – SERVICING PRECAUTIONS). Boards that have such integrated circuits all carry warning notices against damage by static discharge. Care must also be taken when using freezer sprays to aid fault finding. These can create a static charge likely to change the programmed memory of (E)PROMS.
6. **Bulkhead connectors and gaskets.** Special care should be taken to ensure that no RF leakage occurs. To this end all bulkhead connectors and lid sealing gaskets should be secure. It is essential that the unit lids be correctly relocated in their slotted recesses after removal. When disconnecting an RF connection between units ensure that the metal clad connectors do not accidentally cause short circuits on adjacent PCBs. Whenever possible ribbon cable connectors are polarized but care should still be taken to ensure that these are not misplaced. The printed board legends also have a cross hatching printed to indicate the direction by which any given ribbon cable should leave that board.

RECOMMENDED TEST EQUIPMENT

7. The test equipment recommended for use in Chaps. 5-1, 5-2 and 5-3 is shown in Table 5-1. Alternative equipment may be used provided it complies with the stated measurement requirements.

TABLE 5-1 RECOMMENDED TEST EQUIPMENT

Item	Description	Measurement requirements	Recommended model*
a	Modulation meter with distortion measuring facility	Range Φ M: 0.01 to 9.99 radians FM: 10 Hz to 99.9 kHz AM: 0 to 99.5% Accuracy FM & Φ M: $\pm 5\%$ of deviation at 1 kHz AM: $\pm 4\%$ of depth setting +1% Distortion AM, FM & Φ M: <5% total harmonic distortion	2305 & Distortion options kit (or TF 2331A)
b	Frequency counter	Freq. range: 10 kHz to 1 GHz Accuracy: Better than ± 2 in 10^7 over the temperature range 0 to 40°C	2435

* Marconi Instruments type unless otherwise indicated

TABLE 5-1 RECOMMENDED TEST EQUIPMENT (continued)

Item	Description	Measurement requirements	Recommended model
c	Standard frequency source (1,5 or 10 MHz)	Output level: >1 V RMS	Rubidium or Caesium reference unit
d	RF Power Meter with Power Sensor	Output level: -127 dBm to +6 dBm Level accuracy: ± 1 dB from 10 kHz to 1 GHz	6960 & 6912
e	AC Voltmeter	Output level: 1 V $\pm 10\%$ EMF	2610
f	AF Signal Source	Frequency range: 50 Hz - 25 kHz Output level: 0.90-1.10 V	Any suitable model
g	RF Millivoltmeter	VSWR: <1.5:1 Freq. range: 10 kHz-350 MHz	TF 2603
h	T Connector	VSWR: <1.5:1 Freq. range: 10 kHz-350 MHz	TM 7984
i	N type 50 Ω load	VSWR: <1.5:1 Freq. range: 10 kHz-350 MHz	TM 7967
j	Short circuit monitor	VSWR: <1.5:1 Freq. range: 350-1000 MHz	
k	20 cm Air spaced line	VSWR: <1.5:1 Freq. range: 350-1000 MHz	GR 874-L20
l	20 cm Adjustable line	VSWR: <1.5:1 Freq. range: 350-1000 MHz	GR 874-LK20L
m	DC microvoltmeter	Voltage range : >3 μ V FSD	LEVELL Type TM8
n	Spectrum analyzer	Freq. range: 15 MHz-1.5 GHz	
o	Variable DC power supply	Voltage: ± 5 V	TF 2158
p	Distortion factor meter	Distortion AM,FM & Φ M: <5% total Distortion MOD OSC: <1% total	TF 2331A
q	Signal generator (low noise)	Frequency range: 10 kHz-1024 MHz RF level: >0 dBm Residual FM: typically less than 1 Hz up to 512 MHz, 2 Hz up to 1024 MHz	TF 2017
r	RF Mixer	1-1000 MHz	Mini-circuits ZFM-2
s	Low-pass filter	2 MHz LPF	---

TABLE 5-2 DECIBEL CONVERSION TABLE

Ratio down		Decibels	Ratio up	
Voltage	Power		Voltage	Power
1.0	1.0	0	1.0	1.0
.9886	.9772	.1	1.012	1.023
.9772	.9550	.2	1.023	1.047
.9661	.9333	.3	1.035	1.072
.9550	.9120	.4	1.047	1.096
.9441	.8913	.5	1.059	1.122
.9333	.8710	.6	1.072	1.148
.9226	.8511	.7	1.084	1.175
.9120	.8318	.8	1.096	1.202
.9016	.8128	.9	1.109	1.230
.8913	.7943	1.0	1.122	1.259
.8710	.7586	1.2	1.148	1.318
.8511	.7244	1.4	1.175	1.380
.8318	.6918	1.6	1.202	1.445
.8128	.6607	1.8	1.230	1.514
.7943	.6310	2.0	1.259	1.585
.7762	.6026	2.2	1.288	1.660
.7586	.5754	2.4	1.318	1.738
.7413	.5495	2.6	1.349	1.820
.7244	.5248	2.8	1.380	1.905
.7079	.5012	3.0	1.413	1.995
.6683	.4467	3.5	1.496	2.239
.6310	.3981	4.0	1.585	2.512
.5957	.3548	4.5	1.679	2.818
.5623	.3162	5.0	1.778	3.162
.5309	.2818	5.5	1.884	3.548
.5012	.2512	6	1.995	3.981
.4467	.1995	7	2.239	5.012
.3981	.1585	8	2.512	6.310
.3548	.1259	9	2.818	7.943
.3162	.1000	10	3.162	10.000
.2818	.07943	11	3.548	12.59
.2512	.06310	12	3.981	15.85
.2239	.05012	13	4.467	19.95
.1995	.03981	14	5.012	25.12
.1778	.03162	15	5.623	31.62

TABLE 5-2 DECIBEL CONVERSION TABLE (continued)

Ratio down		Decibels	Ratio up	
Voltage	Power		Voltage	Power
.1585	.02512	16	6.310	39.81
.1413	.01995	17	7.079	50.12
.1259	.01585	18	7.943	63.10
.1122	.01259	19	8.913	79.43
.1000	.01000	20	10.000	100.00
.07943	6.310×10^{-3}	22	12.59	158.5
.06310	3.981×10^{-3}	24	15.85	251.2
.05012	2.512×10^{-3}	26	19.95	398.1
.03981	1.585×10^{-3}	28	25.12	631.0
.03162	1.000×10^{-3}	30	31.62	1000
.02512	6.310×10^{-4}	32	39.81	1.585×10^3
.01995	3.981×10^{-4}	34	50.12	2.512×10^3
.01585	2.512×10^{-4}	36	63.10	3.981×10^3
.01259	1.585×10^{-4}	38	79.43	6.310×10^3
.01000	1.000×10^{-4}	40	100.00	1.000×10^4
7.943×10^{-3}	6.310×10^{-5}	42	125.9	1.585×10^4
6.310×10^{-3}	3.981×10^{-5}	44	158.5	2.512×10^4
5.012×10^{-3}	2.512×10^{-5}	46	199.5	3.981×10^4
3.981×10^{-3}	1.585×10^{-5}	48	251.2	6.310×10^4
3.162×10^{-3}	1.000×10^{-5}	50	316.2	1.000×10^5
2.512×10^{-3}	6.310×10^{-6}	52	398.1	1.585×10^5
1.995×10^{-3}	3.981×10^{-6}	54	501.2	2.512×10^5
1.585×10^{-3}	2.512×10^{-6}	56	631.0	3.981×10^5
1.259×10^{-3}	1.585×10^{-6}	58	794.3	6.310×10^5
1.000×10^{-3}	1.000×10^{-6}	60	1000	1.000×10^6
5.623×10^{-4}	3.162×10^{-7}	65	1.778×10^3	3.162×10^4
3.162×10^{-4}	1.000×10^{-7}	70	3.162×10^3	1.000×10^7
1.778×10^{-4}	3.162×10^{-8}	75	5.623×10^3	3.162×10^7
1.000×10^{-4}	1.000×10^{-8}	80	1.000×10^4	1.000×10^8
5.623×10^{-5}	3.162×10^{-9}	85	1.778×10^4	3.162×10^8
3.162×10^{-5}	1.000×10^{-9}	90	3.162×10^4	1.000×10^9
1.000×10^{-5}	1.000×10^{-10}	100	1.000×10^5	1.000×10^{10}
3.162×10^{-6}	1.000×10^{-11}	110	3.162×10^5	1.000×10^{11}
1.000×10^{-6}	1.000×10^{-12}	120	1.000×10^6	1.000×10^{12}
3.162×10^{-7}	1.000×10^{-13}	130	3.162×10^6	1.000×10^{13}
1.000×10^{-7}	1.000×10^{-14}	140	1.000×10^7	1.000×10^{14}

ACCESS AND REMOVAL OF BOARDS

8. Access to the interior of the instrument can be gained by first removing the rear casting which is retained by two centre fixing cross headed screws. Both top and bottom outer covers can then be removed.

Access to AA1 and AA2 boards

9. Remove eight of the screws that secure AA0 cover plate. There are five screws on either side of the unit but the two centrally mounted ones should not be removed because they secure AA0 unit to the side-frames (see Fig. 5-1a for details). AA0 cover plate can now be raised to access board AA2 which is attached to the underside of AA0 cover plate. Board AA1 is situated inside AA0 unit.

10. If it is required to remove AA2 then connectors PLAA, PLAB and PLAC should be detached from the board. Alternatively the cover plate can be rotated through 180° and secured with two screws into the servicing position as shown in Fig. 5-1a.

Access to AB1/1 board and removal of AB0 unit

11. Place the instrument upside down and remove the eight outermost fixing screws (shown in Fig. 5-1a). Remove the cover plate which will give access to board AB1/1.

12. The two remaining centrally mounted fixing screws secure AB0 unit to the side frames. To remove AB0, unscrew the two remaining centrally mounted fixing screws and conhex connectors SKW and SKZ. Raise AB0 unit at the rear of the instrument, pivoting about the front edge until it is possible to remove sockets SKN and SKM from A2/1 board. Finally remove the RF output connector, PLAF, from the attenuator and withdraw AB0 unit. When replacing AB0 unit, ensure that the GPIB module AD0 is correctly located between the two guides on the underside of AB0. If difficulty is experienced, remove AD0 (see para. 14) before attempting to replace AB0.

Access and removal of A2/1, Power supply and Control board

13. Access to this board is achieved by removing AB0 unit as described in the previous paragraph. To remove A2/1 PCB, disconnect the sockets from the following plugs, PLF, PLH, PLAG, PLJ, PLL and PLK, then disconnect SKP from the GPIB module AD0. The board can then be released from the instrument after removing the nine fixing screws.

14. Before access can be gained to the components on the rear panel, GPIB module AD0 (if fitted) must be withdrawn from the instrument. Remove the two cross-headed screws securing the module to the rear panel. Carefully slide out the board assembly from the instrument as shown in Fig. 5-1b. Also withdraw the inter-connecting lead and disconnect SKP socket from the GPIB module.

15. Remove the two upper screws that secure the rear panel to the side frame and loosen only the two lower securing screws as shown in Fig. 5-1d. The rear panel can now be partially hinged to allow access to SKR, STD FREQ IN socket. Detach this and the rear panel is then free to angle down.

Note ...

When replacing GPIB module AD0, attach the interconnecting lead and socket SKP to the rear of the board. Then slide the unit into the instrument ensuring that the component side of board AD1 is facing the side frame of the instrument. Also check that the board locates correctly between the guides shown in Fig. 5-1b.

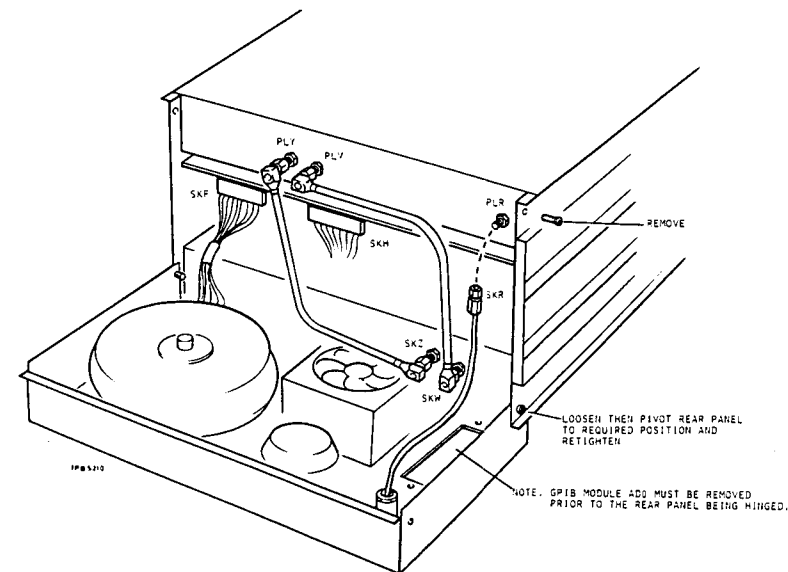
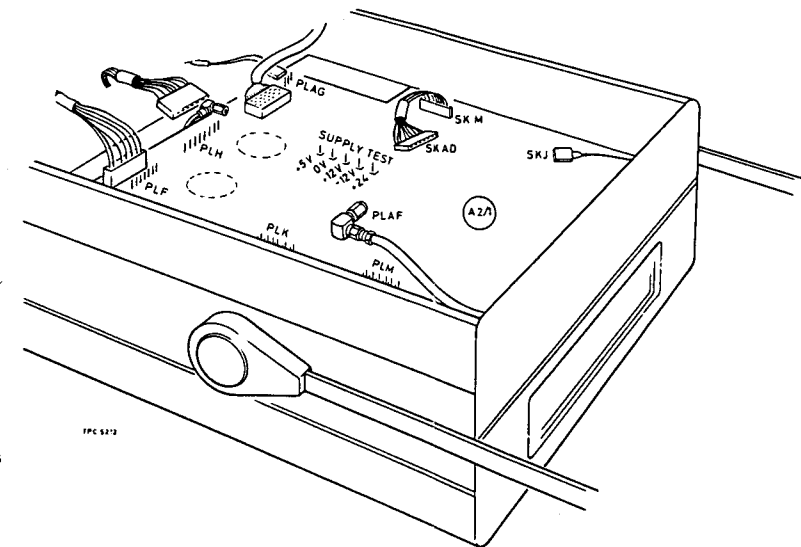
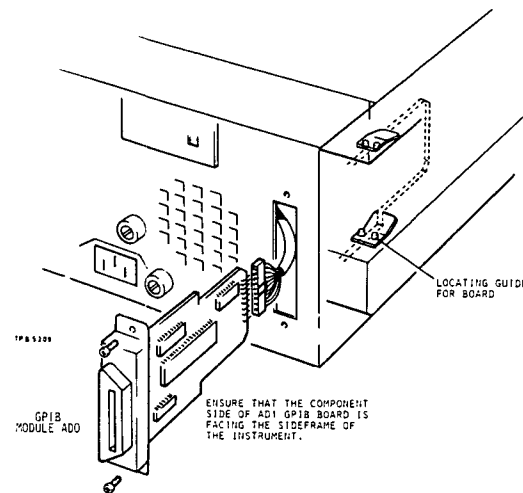
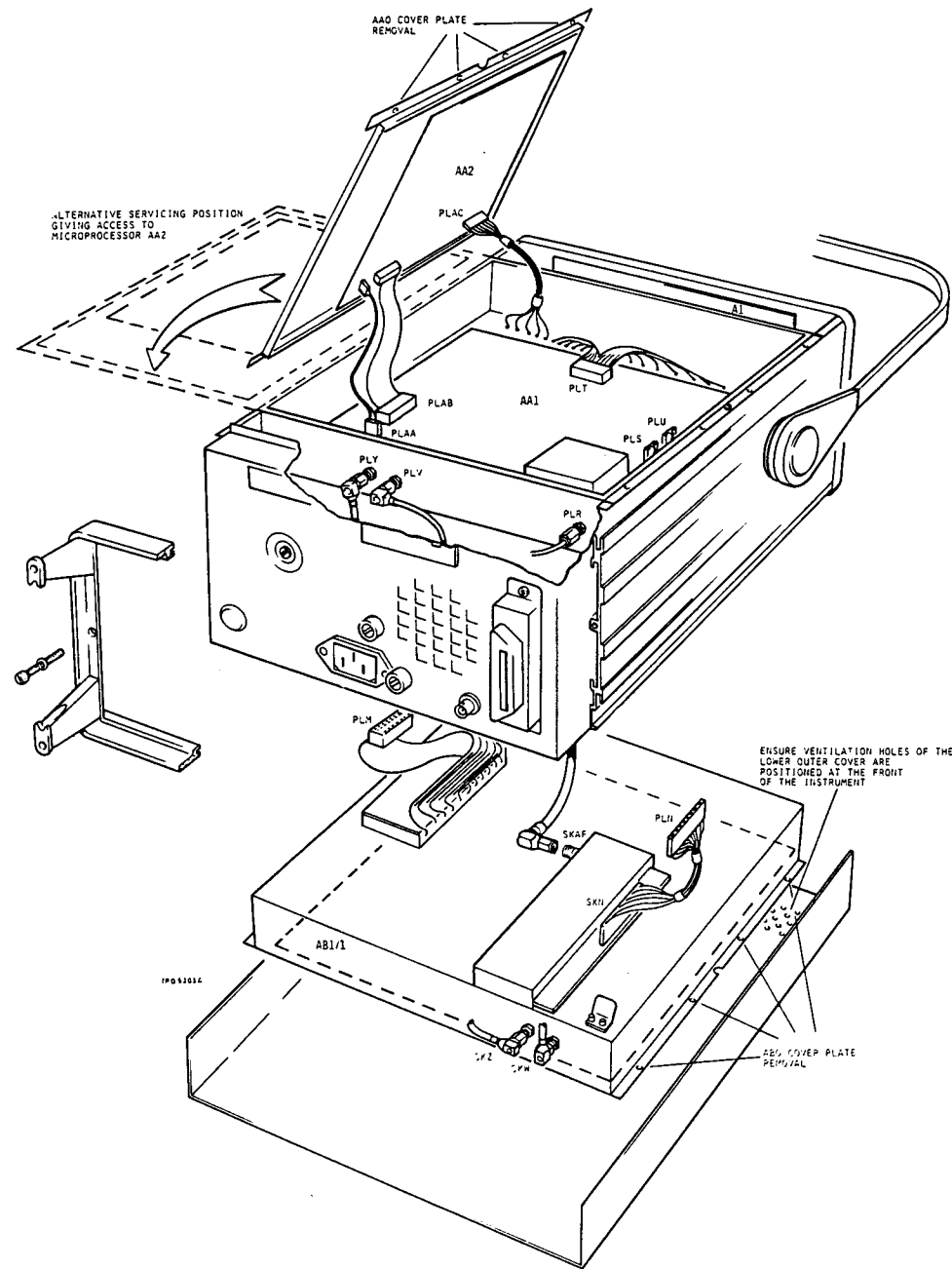


Fig. 5-1 Access and layout

Access and removal of A1 keyboard

16. Limited access to the keyboard can be obtained without removing either AA0 or AB0 units. First ensure that the AC supply is disconnected from the instrument. Now remove the two outer instrument covers and then the four screws (two in each side frame) securing the front panel to the side frame. Turn the instrument upside down and remove the nut securing the SUPPLY ON-OFF switch. Push the switch back through the front panel. Disconnect the MOD IN-OUT socket SKJ from A2/1 board. It is now possible to hinge the front panel about the side of the RF OUTPUT socket. Access can now be gained to the rear of A1 keyboard which can be removed after withdrawing six cross-headed securing screws.

Rear panel mounting of RF OUTPUT socket

17. General instructions for rack mounting are given in Chap. 2 of the Operating Manual. The RF OUTPUT socket can be mounted on the rear panel without recourse to additional wiring. A front panel blanking grommet is supplied to insert in the vacated position if required.

18. First remove RF unit AB0 as described in previous paragraphs. Now remove the four cross-headed screws securing the front panel to the side frames and disconnect socket SKK from A2/1 board. The front panel can now be hinged to allow access. Keyboard A1 can now be removed from the front panel support by removing the six cross-headed screws. Access to the RF OUTPUT socket is now possible. Unfasten the retaining nut holding the socket to the front panel and refit the socket to the rear panel position after removing and discarding the blind grommet. Re-assemble the front panel unit and refit AB0.

Chapter 5-1
PERFORMANCE TESTING
CONTENTS

Para.

- 1 Introduction
- 3 Test precautions
- 4 Performance tests
 - 4 Frequency accuracy
 - 5 RF output
 - 7 Modulation oscillator performance
 - 8 FM deviation and distortion
 - 9 Phase modulation and distortion
 - 10 AM depth and distortion (Internal)
 - 12 External modulation (ALC on)
 - 13 External modulation (ALC off)
 - 14 Auxiliary modulation
 - 15 VSWR (50 kHz - 350 MHz)
 - 16 VSWR (above 350 MHz)
 - 17 Carrier harmonics and sub-harmonics
 - 18 Residual FM
 - 19 Reverse power protection

Table

	Page
5-3 AC0/AC1 attenuator check 	15

Fig.

	Page
Test gear arrangements :	
5-2 Frequency accuracy 	13
5-3 RF output 	14
5-4 Mod. osc. performance 	16
5-5 FM deviation and distortion 	17
5-6 Phase mod. and distortion 	19
5-7 AM depth and distortion 	20
5-8 External modulation 	22
5-9 Auxiliary modulation 	24
5-10 VSWR up to 350 MHz 	25
5-11 VSWR above 350 MHz 	26
5-12 Carrier harmonics and sub-harmonics 	27
5-13 Residual FM 	29

INTRODUCTION

1. The test procedures in this chapter enable you to verify that the electrical performance of the Signal Generator complies with the Performance Data given in Chap. 1 (in the Operating Manual). The test equipment recommended for this purpose is listed in Chap. 5-0. All tests may be performed with the covers in place and are intended to be carried out in the order given. For convenience, the test equipment and specification for each test are summarized before the test procedure.
2. If the test results are outside limits, refer to the related part of the adjustment and calibration procedure (Chap. 5-2).

TEST PRECAUTIONS

3. To ensure minimum errors and uncertainties when making measurements, it is important to observe the following precautions:-
 - (1) Always use recently calibrated test equipment, with any correction figures taken into account, so as to establish a known or traceable limit of performance uncertainty. This uncertainty must be allowed for in determining the accuracy of measurements.
 - (2) A common external frequency standard, with an accuracy within ± 1 part in 10⁶, should be used for the generator and other frequency controlled test equipment.
 - (3) Use the shortest possible connecting leads; ideally the generator should be directly coupled to the test equipment.
 - (4) Allow a warm-up time of half an hour before commencing tests.

- PERFORMANCE TESTS -

Frequency accuracy

4. TEST EQUIPMENT

2022C PERFORMANCE DATA

(a) Frequency Counter 2435

Freq. range: 10 kHz to 1 GHz.
Accuracy: Equal to freq. std.



Fig. 5-2 Test gear arrangement to check frequency accuracy

Procedure

(1) Connect test equipment as shown in Fig. 5-2 and set the 2022C controls as follows :

CARR FREQ : 10 kHz
AM : OFF
FM/ΦM : OFF
RF LEVEL : -10 dB

(2) Carry out spot checks throughout the range of the instrument ensuring that frequencies can be selected correctly and that they are within specification.

(3) If you are using an external frequency standard, connect this to the rear panel STD FREQ IN socket. One of three frequencies can be used (1, 5 or 10 MHz) provided that an internal link selection within the 2022C corresponds to the frequency of the external standard. The link setting can be determined by selecting Second function 1 'Status' mode, which will display 1, 5 or 10 in the Modulation window. Instructions on changing the link setting are given in Chap. 5-2, para. 11.

(4) The level of an external frequency standard should be greater than 1 V RMS.

RF output

5. TEST EQUIPMENT

2022C PERFORMANCE DATA

(d) RF Power Meter 6960
and Power Sensor 6912

Level: -127 dBm to +13 dBm
Level accuracy: Better than >0.5 dB
from 10 kHz-1 GHz
(-10 dBm to +6 dBm)
1 dB from 10 kHz-1 GHz
(above -10 dBm).
>2 dB from 10 kHz-1 GHz
(below -10 dBm).

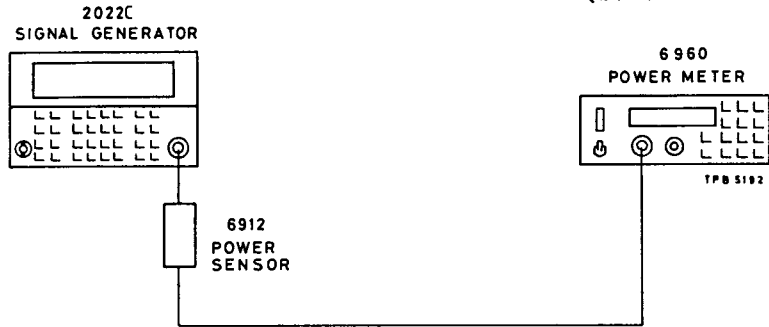


Fig. 5-3 Test gear arrangement to check RF output

Procedure

(1) Connect test equipment as shown in Fig. 5-3 and set the 2022C controls as follows :

CARR FREQ : 500 MHz
AM : OFF
FM/ΦM : OFF
RF LEVEL : -10 dBm (141 mV)

(2) Note the power reading at -10 dBm and check that this is within specification. Maintain this level setting and select other carrier frequencies e.g. 100 kHz, 1 MHz, 100 MHz and 1000 MHz.

(3) Further check other level settings up to a maximum of +13 dBm (1 volt PD).

(4) Set the RF output level to 0 dBm. Check on the power meter that the 2022C output remains flat to within ±0.5 dB from 30 kHz to 1000 MHz.

6. The 10 dB step attenuator AC0 contains three 30 dB pads, one 20 dB pad and one 10 dB pad. Each of these may be selected individually by utilizing the Second function 3 mode. Levels below -10 dBm can best be checked by this method as follows:-

- (1) Set the 2022C RF OUTPUT to +13 dBm and set a reference level of 0 dB on the Power Meter 6960. AC0, step attenuator is controlled from A2/1 board address 05. To select each relay in turn enter by means of the keyboard controls Second function 3, then 05. If unfamiliar with this procedure see 'Manual latch setting' in Chap. 5-3, para. 62.
- (2) The data showing in the Frequency window is that which is currently addressed to the attenuator latch in binary notation. Enter new data by means of '1' or '0' numerals via the instrument keyboard. Numbers are rotated in from the right. When the data is set press the STORE key and the appropriate relay will energize. See Table 5-3 for each attenuator relay selection.

TABLE 5-3 AC0/AC1 ATTENUATOR CHECK

Binary number						Relay energized	Attenuation
D5	D4	D3	D2	D1	D0		
0	1	1	1	1	0	RLA	30 dB
0	1	1	1	0	1	RLB	20 dB
0	1	1	0	1	1	RLC	30 dB
0	1	0	1	1	1	RLD	10 dB
0	0	1	1	1	1	RLE	30 dB

- (3) Check that the output falls to the appropriate level on the power meter as each attenuator pad is selected. Typical accuracy expected is as follows: 10 dB \pm 0.2 dB, 20 dB \pm 0.25 dB and 30 dB \pm 0.3 dB.
- (4) A spectrum analyzer may be used as an alternative to check levels down to -90 dBm with limited accuracy.

6. The 10 dB step attenuator AC0 contains three 30 dB pads, one 20 dB pad and one 10 dB pad. Each of these may be selected individually by utilizing the Second function 3 mode. Levels below -10 dBm can best be checked by this method as follows:-

- (1) Set the 2022C RF OUTPUT to +13 dBm and set a reference level of 0 dB on the Power Meter 6960. AC0, step attenuator is controlled from A2/1 board address 05. To select each relay in turn enter by means of the keyboard controls Second function 3, then 05. If unfamiliar with this procedure see 'Manual latch setting' in Chap. 5-3, para. 62.
- (2) The data showing in the Frequency window is that which is currently addressed to the attenuator latch in binary notation. Enter new data by means of '1' or '0' numerals via the instrument keyboard. Numbers are rotated in from the right. When the data is set press the STORE key and the appropriate relay will energize. See Table 5-3 for each attenuator relay selection.

TABLE 5-3 AC0/AC1 ATTENUATOR CHECK

D5	Binary number					Relay energized	Attenuation
	D4	D3	D2	D1	D0		
0	1	1	1	1	0	RLA	30 dB
0	1	1	1	0	1	RLB	20 dB
0	1	1	0	1	1	RLC	30 dB
0	1	0	1	1	1	RLD	10 dB
0	0	1	1	1	1	RLE	30 dB

- (3) Check that the output falls to the appropriate level on the power meter as each attenuator pad is selected. Typical accuracy expected is as follows: 10 dB \pm 0.2 dB, 20 dB \pm 0.25 dB and 30 dB \pm 0.3 dB.
- (4) A spectrum analyzer may be used as an alternative to check levels down to -90 dBm with limited accuracy.

Modulation oscillator performance

7. TEST EQUIPMENT

2022C PERFORMANCE DATA

(b) Frequency Counter 2435	Freq.:	1 kHz
(e) True RMS Voltmeter 2610	Accuracy:	Equal to freq.std. accuracy
(p) Distortion Factor Meter TF 2331A	Distortion:	<1% total harmonic distortion
	Output level:	1 V \pm 10% EMF from a nomi- nal 600 Ω source impedance.

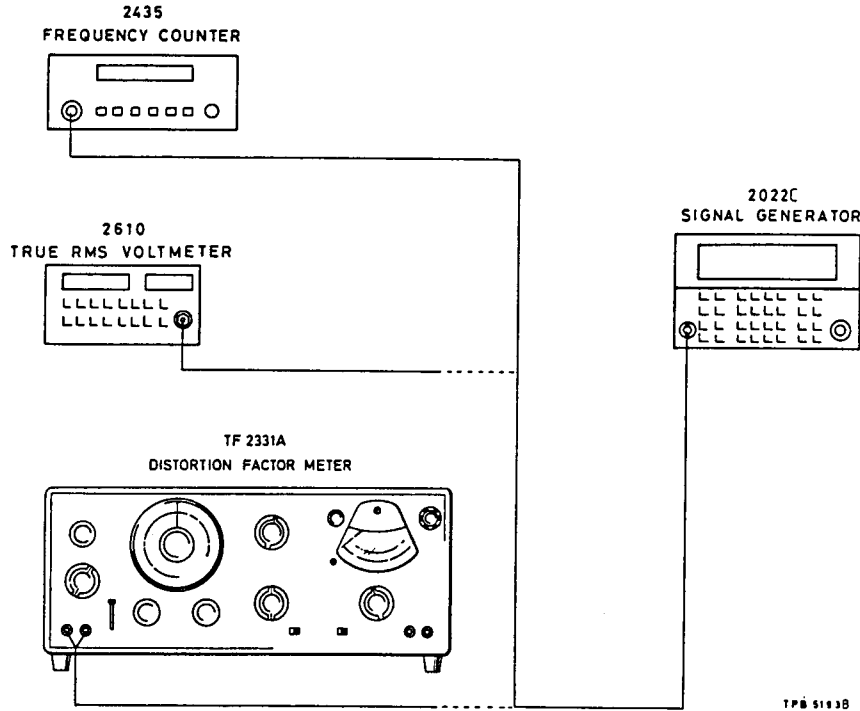


Fig. 5-4 Test gear arrangement to check Mod. osc. performance

Procedure

- (1) Connect test equipment as shown in Fig. 5-4 and set the 2022C controls as follows:-

FM/ Φ M : FM
MOD ON/OFF : ON

- (2) Check that the frequency of the MOD IN/OUT signal is within specification.
- (3) Remove the frequency counter and connect the voltmeter to the 2022C MOD IN/OUT socket and check that the output level is within specification.
- (4) Remove the voltmeter and connect the distortion factor meter and check that distortion is within specification.

FM deviation and distortion

8. TEST EQUIPMENT

2022C PERFORMANCE DATA

(a) Modulation Meter 2305
with Distortion options kit

Range: 10Hz to 99.9kHz peak deviation.

Deviation accuracy: >5% of deviation at 1 kHz mod. freq. excluding residual FM.

Distortion: <0.5% total harmonic distortion at 1 kHz modulation frequency for deviations up to 25 kHz for any carrier frequency above 250 kHz with external modulation and ALC off.

<2% total harmonic distortion at 1 kHz mod. freq. and max. deviation for any carr. freq. above 250 kHz.



Fig. 5-5 Test gear arrangement to check FM deviation and distortion

Procedure

(1) Connect test equipment as shown in Fig. 5-5 and set the 2022C controls as follows:-

CARR FREQ : 250 MHz
FM/ΦM : FM
Deviation : 99.9 kHz
RF LEVEL : 0 dBm

- (2) On the modulation meter select FM, 300 Hz - 3.4 kHz filter, noise averaging.
- (3) Check on the modulation meter that the deviation indicated is within $\pm 5\%$ of that set.
- (4) Repeat for random carrier frequencies from 500 kHz to 1000 MHz.

- (5) Repeat for random deviation settings from 1 kHz to 99.9 kHz.

Note ...

For lower deviation settings the residual FM of the 2022C and 2305 will have to be taken into consideration.

- (6) Set the 2022C controls as follows :

CARR FREQ : 400 MHz
 FM/ΦM : FM
 Deviation : 99.9 kHz
 RF LEVEL : 0 dBm

- (7) On the 2305 select "DISTORTION" and check the distortion indicated is less than 2%.

- (8) Repeat with random carrier frequencies between 500 kHz and 1000 MHz.

- (9) Connect the low distortion AF source to the MOD IN/OUT on the 2022C.

- (10) Set the AF source to give a frequency of 1 kHz at a level of 1 V RMS.

- (11) Set the 2022C controls as follows :

CARR FREQ: 400 MHz
 FM/ΦM : FM.EXT
 ALC OFF
 Deviation : 25 kHz
 RF LEVEL : 0 dBm

- (12) Check that the distortion indicated on the modulation meter is less than 0.5%.

- (13) Repeat with random carrier frequencies between 500 kHz and 1000 MHz.

Phase modulation and distortion

9. TEST EQUIPMENT

2022C PERFORMANCE DATA

(a) Modulation Meter 2305
with Distortion options
kit.

Range: 0.01 to 9.99 radians.
Deviation accuracy: >5% of deviation at
1 kHz mod. freq.
excluding residual
phase mod.
Distortion: <5% total harmonic
distortion at 1 kHz
mod. freq and max.
dev. at any carrier
freq. above 250 kHz.

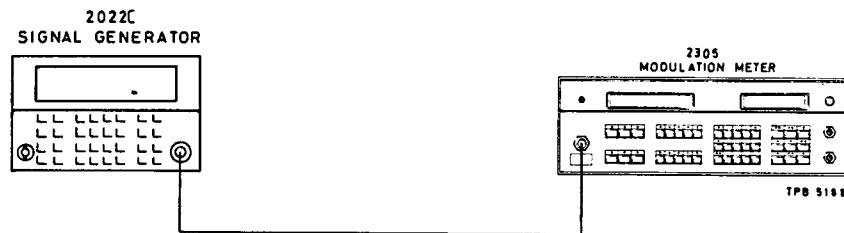


Fig. 5-6 Test gear arrangement for checking phase mod. and distortion

Procedure

(1) Connect test equipment as shown in Fig. 5-6 and set the 2022C controls as follows :

CARR FREQ : 250 MHz
FM/ Φ M : Φ M
Deviation : 9.99 Radians
RF LEVEL : 0 dBm

Because Φ M and FM mostly share common circuitry it is necessary to check only one deviation setting.

(2) On the 2305 Φ M function key and check that the deviation reading is within specification.

(3) Select 2305 DIST function key and check that the distortion is within specification.

AM depth and distortion (Internal)

10. TEST EQUIPMENT

2022C PERFORMANCE DATA

<p>(a) Modulation Meter 2305 with Distortion options kit.</p>	<p>Range: 0 to 99.5%. Accuracy: >4% of depth setting +1% for 1 kHz mod. freq. and depths up to 95% for carrier freqs. up to 62.5 MHz (80% for carrier freqs. up to 400 MHz). Freq. response: >1 dB from 50 Hz - 15 kHz. Distortion: <3% total harmonic distortion at 1 kHz modulation frequency for depths up to 80% for car- rier frequencies up to 400 MHz. <5% total harmonic distortion at 1 kHz modulation frequency for depths up to 95% for car- rier frequencies up to 62.5 MHz.</p>
---	--



Fig. 5-7 Test gear arrangement to check AM depth and distortion

Procedure

(1) Connect test equipment as shown in Fig. 5-7 and set the 2022C controls as follows :

- CARR FREQ: 15 MHz
- AM : ON
- Modulation : 95%
- RF LEVEL : 0 dBm

A fixed frequency modulator is used to provide the modulation at carrier frequencies below 62.5 MHz and envelope feedback is used for carrier frequencies above 62.5 MHz.

(2) On the 2305 select the 50 Hz to 15 kHz filter and AM function key. Check that the displayed reading is within specification.

(3) Select 2305, DIST function key and check that the distortion is within specification.

(4) Reset 2022C controls :

CARR FREQ : 200 MHz
AM : ON
Modulation : 80%
RF LEVEL : 0 dBm

11. Again check the depth and distortion as described in steps (2) and (3) using the 2305. Finally repeat step (4) with the RF LEVEL setting reduced to -10 dBm, readings should remain unchanged.

External modulation (ALC ON)

12. TEST EQUIPMENT

2022C PERFORMANCE DATA

- (a) Modulation Meter 2305
- (e) True RMS Voltmeter 2610
- (f) AF Signal Source (low distortion)

Input level: Deviation is calibrated for input levels between 0.9 V and 1.1 V RMS. HI or LO LEDs indicate if outside this range.

Freq. response: AM ± 0.5 dB from 50 Hz to 15 kHz (relative to 1 kHz mod.)
 FM ± 0.5 dB from 50 Hz to 50 kHz
 FM ± 1 dB from 50 Hz to 10 kHz.
 with ALC ON)

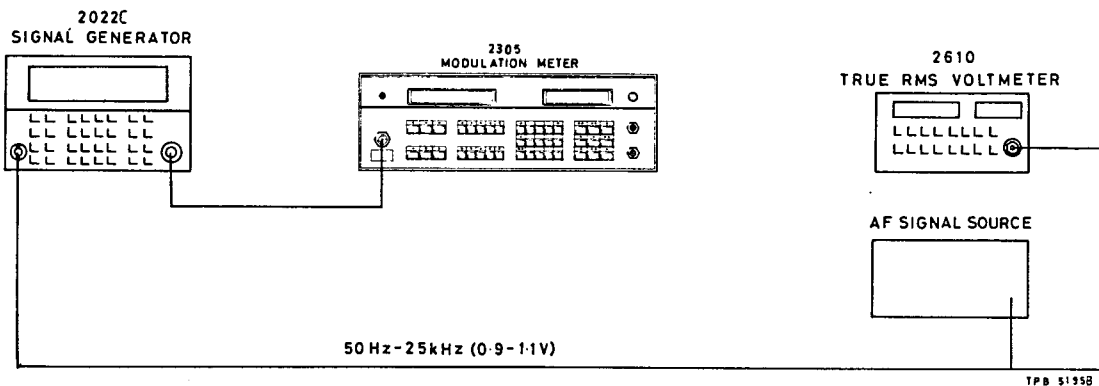


Fig. 5-8 Test gear arrangement to check external modulation

Procedure

(1) Because AM, FM and Φ M external modulation use a common circuit configuration, checking need only be carried out with one type of modulation input. Connect the test equipment as shown in Fig. 5-8 and set the 2022C controls as follows :

CARR FREQ : 250 MHz
 FM/ Φ M : FM
 INT/EXT : EXT
 Deviation : 99.9 kHz
 MOD ALC : ON (LED lit)

(2) Apply a 1 kHz, 1.00 V RMS input from a low distortion AF signal source to the 2022C MOD IN-OUT socket.

(3) On the 2305 select the 30 - 50 kHz filter and FM function key. Check that the displayed FM deviation reading is within specification.

(4) Vary the input voltage between 0.9 V and 1.1 V and check that the modulation display does not indicate either a HI or LO message. Also check that the deviation remains constant over the range.

(5) Select 2305 REL function key and vary the frequency of the external mod. signal between 50 Hz and 25 kHz. Check that the deviation remains within ± 1 dB of the value set at 10 kHz mod. frequency.

- (6) Set the 2022C to 80% AM EXT and ALC ON. Return the AF source frequency to 1 kHz and set the 2305 to monitor AM, absolute, noise average.
- (7) Select 2305 REL function. Vary the frequency of the AF source signal between 50 Hz and 15 kHz and check that the deviation remains within ± 0.5 dB of the value set at 1 kHz modulation frequency.

External modulation (ALC off)

13. (1) Connect test equipment as shown in the Fig. 5-8. Maintain 2022C settings with the exception of the MOD ALC key. Press this to disable the ALC (adjacent LED should be extinguished).
- (2) Select 2305 ABS function key and apply a 1 kHz, 1.00 V RMS signal to the MOD IN-OUT socket of the 2022C. Check that the FM deviation displayed on the 2305 is within specification.

Auxiliary modulation

14. TEST EQUIPMENT

- (a) Modulation Meter 2305
- (f) AF Signal Source

2022C PERFORMANCE DATA

A rear panel BNC socket provides an auxiliary modulation input with a nominal sensitivity of 20% of the set modulation deviation/depth for a 1 V PD input. Input impedance 600 Ω nominal.

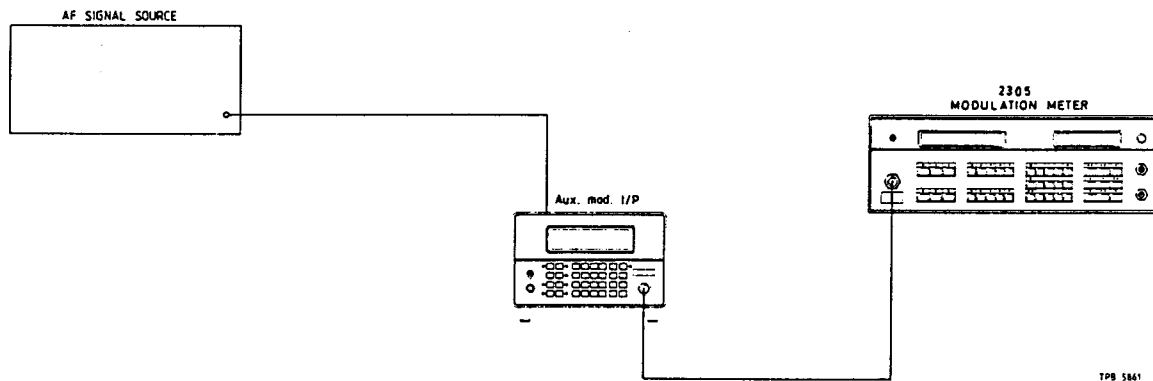


Fig. 5-9 Test gear arrangement to check auxiliary modulation

Procedure

- (1) Connect the test equipment as shown in Fig. 5-9.
- (2) Set the AF signal source to give a frequency of 1 kHz at 1.00 V RMS.
- (3) Set the 2022C controls as follows :

CARR FREQ : 100 MHz
 RF LEVEL : 0 dB
 FM : 50 kHz
 INT/EXT : EXT
 MOD ALC : OFF (LED OFF)

- (4) Set the 2305 controls as follows:-

AUTOTUNE
 300 Hz - 3.4 kHz FILTER
 DE-EMPHASIS : OFF
 FUNCTION : FM, ABS, $\frac{P-P}{2}$

- (5) Check that the 2305 indicates a nominal deviation of 10 kHz.

VSWR (50 kHz – 350 MHz)

15. TEST EQUIPMENT

- (g) RF Millivoltmeter TF 2603
- (h) T connector, TM 7984
- (i) N type 50 Ω load TM 7967

2022C PERFORMANCE DATA

VSWR: <1.5:1 for output levels
below -10 dBm

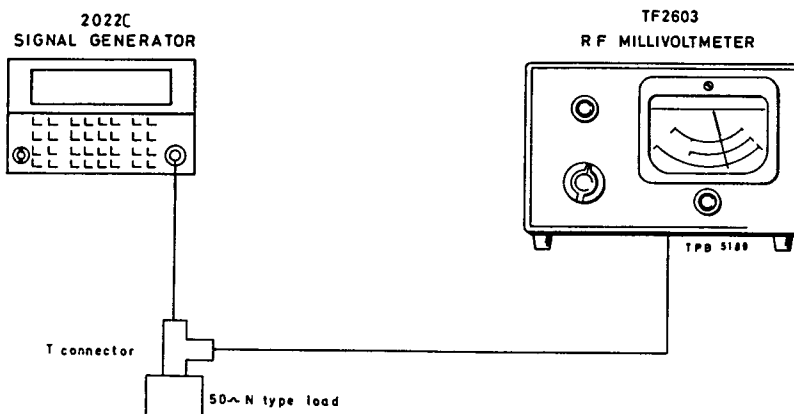


Fig. 5-10 Test gear arrangement to check VSWR up to 350 MHz

Procedure

- (1) Connect test equipment as shown in Fig. 5-10 and set the 2022C controls as follows :

CARR FREQ: 100 MHz
RF LEVEL : -10 dBm (141 mV)

- (2) With the 50 Ω load disconnected note the reading in the TF 2603.
- (3) Now insert the 50 Ω load and note the new reading. The impedance, Z, is calculated using the following formula,

$$Z = \frac{50 E}{V} - 50 \Omega$$

where E = open circuit output level
and V = output across the 50 Ω load.

From the above, VSWR = $\frac{Z}{50}$ or $\frac{50}{Z}$ and should be better than 1.5:1.

VSWR (above 350 MHz)

16.

TEST EQUIPMENT

2022C PERFORMANCE DATA

- (j) Short circuit monitor
- (k) 20 cm Air spaced line GR 874-L20
- (l) 20 cm Adjustable line GR 874-LK20L
- (m) DC microvoltmeter

VSWR: <1.5:1 for output levels
below -10 dBm

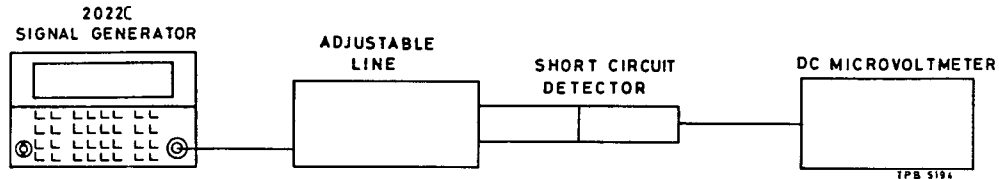


Fig. 5-11 Test gear arrangement to check VSWR above 350 MHz

- (1) Connect the test equipment as shown in Fig. 5-11 and set the 2022C controls as follows :

CARR FREQ: 500 MHz
RF LEVEL : -10 dBm (70 mV)

- (2) Set the adjustable line to $\lambda/2$ of the signal by applying the formula

$$\lambda = \frac{300}{f}$$

where λ is the wavelength in metres
and f is the frequency in MHz.

For example, at 500 MHz, $\lambda = \frac{300}{500} = 0.6$ m

therefore $\lambda/2 = 30$ cm

- (3) Adjust the line length for maximum indication on the meter and note the reading. Adjust the line length for minimum indication on the meter ($\lambda/4$).

Note ...

The short circuit current monitor uses a diode to detect the maximum and minimum values (V_{max} . and V_{min} .) This diode is being used at the lowest part of its characteristic and the square law applies.

The VSWR is therefore equal to $\sqrt{\frac{V_{max}}{V_{min}}}$ and should be better than 1.5:1.

Carrier harmonics and sub-harmonics

17. TEST EQUIPMENT

2022C PERFORMANCE DATA

(n) Spectrum analyzer	<ol style="list-style-type: none"> 1. Harmonically related signals for output levels up to +7 dBm. 2. Sub-harmonics for output levels below +7 dBm. 3. Non-harmonically related signals for output levels below +7 dBm. 	<p>Better than -35 dBc for carrier frequencies up to 62.5MHz. Better than -25 dBc for carrier frequencies above 62.5MHz.</p> <p>None for carrier freqs. below 500 MHz. -20 dBc above 50MHz.</p> <p><-70 dBc for carrier freqs. of 62.5MHz and above. <-55 dBc below 62.5MHz in the band up to 150MHz and <-40 dBc above 150MHz.</p>
-----------------------	--	--



Fig. 5-12 Test gear arrangement to check carrier harmonics and sub-harmonics

Procedure

(1) Connect the test equipment as shown in Fig. 5-12 and set the 2022C controls as follows :

RF LEVEL : 7 dB
 CARR FREQ: 15 MHz
 AM,FM,ΦM : OFF

(2) The spectrum analyzer used should be capable of measuring at least the 3rd harmonic of the carrier frequency. Check that the amplitude of any harmonic does not exceed specification at carrier frequencies of 15, 63, 126, 252, 300 and 500 MHz. Repeat above checks with further RF level settings of 0 dBm and -7 dBm. The carrier frequencies selected will check for harmonics in the following circuits :

15 MHz	BFO band
63 MHz	Incorporates two stages of freq. division
126 MHz	Uses a single divider stage
252 MHz	Fundamental band
300 MHz	Checks the tracking of the tuning notch
350 MHz	" " " " " " "
500 MHz	Doubler band

(3) Sub-harmonics are only produced when carrier frequencies above 500 MHz are selected. Check at the three RF level settings given (+7 dBm, 0 dBm and -7 dBm) that the sub-harmonics do not exceed specifications at each of the following carrier frequencies : 501 MHz, 700 MHz, 900 MHz and 1000 MHz.

Residual FM

18. TEST EQUIPMENT

- (a) Modulation Meter
- (q) Low noise signal generator
- (s) 2 MHz low-pass filter

2022C PERFORMANCE DATA

Residual FM

(FM OFF): <7 Hz RMS (10 Hz equivalent peak) deviation in a 300 Hz to 3 kHz bandwidth at 499 MHz and improving by 6 dB per octave with reducing carrier frequency down to 62.5 MHz.
<3.5 Hz RMS (5 Hz equivalent peak) below 62.5 MHz.

Note ...

Owing to the low residual specification of the 2022C the FM residual measurement system should have a typical residual noise figure of less than 1.5 Hz up to 500 MHz and 2.5 Hz up to 1000 MHz. (The following set-up makes use of the low noise low frequency end of the 2305.)

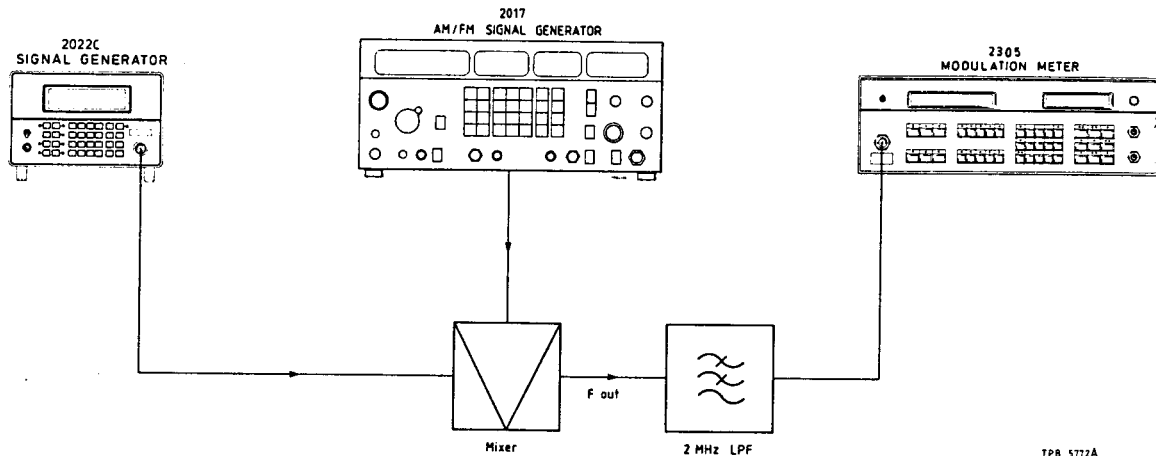


Fig. 5-13 Test gear arrangement to check residual FM

Procedure

- (1) Connect the equipment as shown.
- (2) Set the 2305 controls as follows: FM, absolute, 300 Hz to 3.4 kHz filter, noise average.
- (3) Set the 2022C to give a carrier frequency of 499 MHz, RF LEVEL 0 dBm, FM OFF.
- (4) Set the 2017 to give a carrier frequency of 500 MHz, RF LEVEL 0 dBm, FM OFF.

Note ...

The 2017 should always be set 1 MHz higher than the frequency set on the 2022C.

- (5) Check that the residual FM reading on the modulation meter is 10 Hz or less.
- (6) Set the 2022C frequency to 62 MHz and the 2017 frequency to 63 MHz and check that the residual FM reading on the modulation meter is 5 Hz or less.
- (7) Set the 2022C frequency to 1000 MHz and the 2017 frequency to 1001 MHz and check that the residual FM reading on the modulation meter is 20 Hz or less.

Reverse power protection

19. TEST EQUIPMENT

- (e) True RMS Voltmeter 2610
- (o) Variable DC power supply
TF 2158

2022C PERFORMANCE DATA

Protection: The generator output is protected against reverse power of up to 25 W from a source VSWR 5:1 from DC to 1 GHz.

Procedure

- (1) Switch the 2022C on so as to internally connect the RF OUTPUT socket of the instrument. Set the RF LEVEL to 0 dBm (this will protect the resistors in the attenuator in the event of an RPP malfunction). Then set the DC power supply to +5 V and apply this to the 2022C RF OUTPUT 50 Ω socket causing the RPP circuit to trip (taking care not to damage the connector pin).
- (2) An indication that the reverse power unit has been tripped will now be given by the REV PWR annunciator which will flash on the RF LEVEL display.
- (3) Remove the +5 V source and check that there is no continuity between the 'N' type connector centre pin and earth (again taking care not to damage the connector pin). If the RPP has not tripped, a resistance of approximately 1 k Ω may be measured between the centre pin and earth.
- (4) Reset the RPP by pressing the RF LEVEL key and ensure that the REV PWR indication is now off. Set the DC power supply to -5 V and apply this again to the RF OUTPUT 50 Ω socket checking that the RPP trips once more. Remove the DC source and reset the RPP.
- (5) Operation of the RPP trip circuit can also be checked if required without the application of a voltage to the RF OUTPUT 50 Ω socket using Second function 3 (Manual latch setting). Access to the attenuator latch for AC0 and the means of entering the necessary data to achieve this is described in para. 6. Setting a binary '1' level in D5 (see Table 5-3) will cause the RPP to trip.

Chapter 5-2

ADJUSTMENT AND CALIBRATION

CONTENTS

Para.

- 1 Introduction
- 5 Second function '191' FM tracking calibration
- 6 Second function '192' RF level calibration
- 7 Second function '193' Voltage tuned filters (VTF) calibration
- 8 Second function '194' AM calibration
- 9 Second function '195' Calibration and storage of amended EAROM checksum
- 10 EAROM initialization
- 11 External frequency standard adjustment (1, 5 or 10 MHz)

Table

	Page
5-4 Realignment order	34
5-5 A1 Keyboard and display board alignment	38
5-6 A2/1 Power supply and control board alignment	39
5-7 AA1 Synthesizer board alignment	42
5-8 AA2 Microprocessor board alignment	42
5-9 AB1/1 RF processing board alignment	42
5-10 Attenuator assembly alignment	44

Fig.

5-13 External frequency standard adjustment	44
--	----

INTRODUCTION

1. This chapter describes adjustments which will restore the instrument to its peak operating condition. Test equipment recommended for this purpose is listed in Chap. 5-0 and summarized for board test procedure. Before carrying out any adjustment procedures refer to Chap. 5-0 for safety considerations and access instructions.
2. Information is given for the overall realignment of the instrument with details of preset components, affected circuits and the use of second function controls where these are needed in recalibration procedures.
3. After completing repairs to a circuit or replacement of a board it may be necessary to carry out realignment. If a full overall realignment is required it should be carried out in the order shown in Table 5-4 below.

TABLE 5-4 REALIGNMENT ORDER

Order	Adjustment	Table of reference	2ND FUNCT
1	Set +12 V	5-7	None
2	+5 V	5-7	None
3	-12 V	5-7	None
4	+24 V	5-7	None
5	+21 V	5-9	None
6	LCD off	5-6	None
7	1 kHz level	5-8	None
8	250 MHz	5-10	None
9	353 MHz	5-10	None
10	160 MHz	5-10	None
11	160 MHz 'LF AM Mod'.	5-10	None
12	Correct jitter	5-7	None
13	Cal. band-pass tracking	5-7	193
-	and Notch	5-10	3
14	Cal. RF power >62.5 MHz	5-7	192
15	Cal. RF power <62.5 MHz	5-7	192
16	Cal. AM >62.5 MHz	5-7	194
17	Cal. AM <62.5 MHz	5-7	194
18	External mod.	5-6	None
19	Set LF FM and	5-6	191
-	FM tracking	5-20	191
20	Set Φ M	5-6	None
21	Set Int. Std. Freq.	5-6	None

4. If only one board is affected and a full overall realignment procedure is not needed then the individual board can be realigned with reference to Tables 5-5 to 5-10. Some of the tables make reference to certain alignment procedures using second functions 191-194. A comprehensive description of these is included in paragraphs 5 to 10.

Note ...

Before any adjustments are made all screening covers should, where possible, be firmly fitted.

Second function '191' FM tracking calibration

5. The FM tracking calibration data comprises two tables of calibration points. These are listed in Table 5-20 (Chap. 5-3). To enter data, carry out the following procedure :

- (1) Unlock the instrument to allow second level operation.
- (2) Select CARR FREQ 250 MHz and a carrier frequency increment of 4.12 MHz, FM INT, 99.9 kHz.
- (3) Enter 2ND FUNCT 191.
- (4) Monitor the actual deviation obtained on a modulation meter (2305). If no data has been stored, enter the value shown in Table 5-20, e.g. 194. Now using the up (↑) or down (↓) key adjust the calibration data until the modulation meter reads closest to the value 99.9 kHz and press the STORE key, (see following Notes before calibrating).
- (5) Reselect CARR FREQ followed by the up key to increment the carrier frequency by 4.12 MHz. Re-enter 2ND FUNCT 191 and the approximate data, (e.g. 204) then adjust the value using the up or down key as described in step (4) and STORE. Repeat the above procedure for succeeding 4.12 MHz increments entering data in each until reaching a carrier frequency of 353 MHz. At this point reselect CARR FREQ 352.999 MHz, 2ND FUNCT 191, enter data and STORE.
- (6) Select CARR FREQ, 353 MHz and a carrier frequency increment of 5.88 MHz, re-enter 2ND FUNCT 191 then continue entering data as previously described in steps (4) & (5) until reaching a carrier frequency of 500 MHz. At this point select instead CARR FREQ 499.9999 MHz, re-enter 2ND FUNCT 191, enter data and STORE. This completes the FM tracking.

Notes ...

- (1) The audio frequency response must have previously been adjusted using A2/1 R58, 'SET LF FM'.
- (2) A suitable bandwidth must be selected on the modulation meter to avoid errors due to demodulated noise e.g. (50 Hz - 15 kHz).

Second function '192' RF level calibration

6. The RF level is calibrated at 11 selected reference points, each point is numbered from 00 to 10 with the selected point displayed in the modulation window. Calibration is carried out first at 15 MHz and then in 100 MHz steps from 100 to 1000 MHz.

- (1) Unlock the instrument to allow second level operation.
- (2) Select CARR FREQ, 15 MHz, RF LEVEL, +2.9 dBm and an RF level increment of 9.9 dB.
- (3) Enter 2ND FUNCT 192.
- (4) Monitor the RF OUTPUT using a Power Meter (6960) and Power Sensor (6912).

- (5) Enter a value of data that will give a reading of +2.9 dBm on the power meter using the up or down keys as required (there is no auto incrementing on this function).
- (6) Select RF LEVEL then the down key to obtain a level of -7 dBm; adjust AB1/1 R101, 'LF ALC LOW' for a 9.9 dB difference between this reading and that obtained in step (5), (dB rel. key can be used on 6960). Reselect the up key to obtain 2.9 dBm output and iterate until the values obtained in step (5) and (6) are as close to 2.9 dBm and -7 dBm as possible, then STORE the calibration data.
- (7) Select CARR FREQ, 200 MHz and a carrier frequency increment of 100 MHz, RF LEVEL, 2.9 dBm. Now repeat the procedure described in steps (4) and (5) decrementing the level to -7 dBm and in this case adjusting A2/1 R84, 'HF ALC LOW' to obtain the 9.9 dB difference.
- (8) Select CARR FREQ and using the down key decrement the carrier frequency to 100 MHz, select RF LEVEL, 2.9 dBm. Re-enter 2ND FUNCT 192 followed by a value of data to obtain a reading of 2.9 dBm on the power meter then STORE. Now select CARR FREQ and with the up key increment the carrier to select a frequency of 300 MHz. Re-enter 2ND FUNCT 192 and enter data to give a power meter reading of 2.9 dBm and STORE. Continue to increment the carrier frequency in 100 MHz steps entering data and storing in each case until reaching the last data point, 10 (1000 MHz). This completes the RF level calibration.

Second function '193' voltage tuned filters (VTF) calibration

7. The VTF or Output harmonic control calibration table consists of 6 points calibrated in 100 MHz steps from 500 MHz to 1000 MHz. Each point is numbered from 00 to 05 with the selected data point displayed in the modulation window. Calibration is carried out as follows:-

- (1) Unlock the instrument to allow second level operation.
- (2) Select CARR FREQ, 500 MHz and a carrier frequency increment of 100 MHz.
- (3) Monitor AB1/1 'ALC HF' test point with a digital voltmeter.
- (4) Enter 2ND FUNCT 193.
- (5) Enter or adjust data to obtain the greatest positive reading possible (typically +10 V), then press the STORE key to terminate the entry. Typical values of calibration data expected can be seen in Table 5-21 (Chap. 5-3). Values of voltage shown in that table however cannot be compared because they are taken from a different circuit reference.
- (6) Select CARR FREQ followed by the up key to select a carrier frequency of 600 MHz. Repeat the procedure described from step (4) and continue the calibration for each step until reaching the last data point, 05 (1000 MHz). This completes the VTF calibration.

Second function '194' AM calibration

8. Only two points are calibrated. At point 00 data is entered at a carrier frequency of 15 MHz and point 01 at a carrier frequency of 100 MHz. 00 or 01 is displayed in the modulation window after selecting 2ND FUNCT 194 and the relevant carrier frequency. Calibrate as follows:-

- (1) Unlock the instrument to allow second level operation.
- (2) Select CARR FREQ, 15 MHz, AM, INT, 95%, RF LEVEL, 6 dBm.
- (3) Monitor the RF OUTPUT socket using a modulation meter (2305).
- (4) Enter 2ND FUNCT 194.
- (5) Enter or adjust data to obtain a mod. meter reading of 95% then STORE to terminate the entry.
- (6) Select CARR FREQ, 200 MHz, AM, INT, 90% and an RF level increment of 12.9 dB.
- (7) Again enter 2ND FUNCT 194 and enter or adjust data to obtain a reading on the mod. meter of 90% then STORE the value.
- (8) Select RF LEVEL followed by the down key to give a power level reading of -6.9 dBm. Adjust A2/1 R90 'CORRECT DETECTOR' to give a mod. meter reading of 90% AM. Reselect up and down keys and repeat the adjustment until a reading of 90% is obtained at both 6 dBm and -6.9 dBm. This completes the AM calibration.

Second function '195' calculation and storage of amended EAROM checksum

9. If the instrument has been recalibrated, or if data in the EAROM, AA2 IC10, has been accidentally erased, or if an unserviceable EAROM has been replaced then a new checksum should be stored and initialization should be carried out. When recalibrating the instrument following EAROM replacement it should not be necessary to adjust any of the internal preset components; calibration data can be found by accessing the data from the front panel second function controls and in the following order 191,193,192,194. Enter the calibration information for each of the above second functions and store in each case. When this is completed select 2ND FUNCT 195 and STORE. The instrument will re-calculate the checksum, store this in the non-volatile memory and display 000 to indicate completion.

EAROM Initialization

10. Data stored within the EAROM but not part of the checksum will also have to be re-entered. A replacement EAROM is normally supplied with all '1's stored, therefore flags on most second functions and other settings referred to have been arranged such that the most useful are selected when a replacement EAROM is installed. Each of the following should be checked, re-entered if necessary, depending on individual user requirements, and in the order given below.

- (1) RF level offsets data (second function 15) off '0' on '1'. This facility must not be used until the instrument is calibrated.
- (2) Checksum data for calibration values (second function 195).
- (3) Timer information, both for the resettable (second function 9) and the fixed timer (second function 199) – see Note below.
- (4) Identity strings (second function 190) – Chap. 4 para. 191 refers. These can be recalled using either second functions 5 or 11.
- (5) User defined strings entered by means of second function 12.
- (6) Instrument settings stored by the user. Store protection (second function 196) and Display blanking of recalled stores (second function 197). Each store has a separate checksum which is automatically entered on storing a valid setting. Stores not having a value entered will initiate a EAROM recall error message 15 when recalled.
- (7) Calibration information from second functions 191–194.
- (8) External frequency standard 10,5 or 1 MHz (second function 10).
- (9) If the optional GPIB facility is fitted set the address as required (second function 2).

Note ...

The total instrument operating time indicator, if accessed by secondfunction 198 will probably read 131, 071 hours. After approximately 15 minutes instrument running time this will overflow and reset to 0 hours.

TABLE 5-5 A1 KEYBOARD AND DISPLAY BOARD ALIGNMENT

Adjustment	Test equipment	Method	Adjustment window/Comments
R2 'LCD off'	Visual examination only required.	Adjust R2 whilst observing the segment of the display from an acute angle. Adjust so that 'off' segments are barely turned off.	Some contrast may be lost if incorrectly adjusted.

TABLE 5-6 A2/1 POWER SUPPLY AND CONTROL BOARD ALIGNMENT

Adjustment	Test equipment	Method	Adjustment window/Comments
R5 'Set +12 V'	DVM	Detach all board external loads and adjust to +12.1 V	± 0.1 V
R15 'Set +5 V'	DVM	Detach all board external loads and adjust to +5.05 V	± 0.05 V
R8 'Set -12 V'	DVM	Detach all board external loads and adjust to -12.1 V.	± 0.1 V
R89	DVM	Detach all board external loads and adjust to +24.25 V.	± 0.25 V
R67 'Correct Jitter'	Modulation meter connected to a spectrum analyzer.	Select CARR FREQ, 250.0005 MHz. Look for a tone and null this.	If this is incorrectly set there may be additional coherent signals present with the carrier frequency.
'Cal. band-pass filter'	DVM	Select CARR FREQ, 500 MHz Monitor 'ALC HF' test point on AB1/1. Adjust CAL DATA (using 2ND FUNCT 193) for greatest positive reading. Repeat at 100 MHz intervals up to 1 GHz.	Increments are extremely fine and a setting within ± 5 counts will give adequate results.
'Cal. RF power and R84 HF ALC low'	RF power meter	Select CARR FREQ, 200 MHz, RF LEVEL 2.9 dBm. Adjust for 2.9 dBm output (using 2ND FUNCT 192). Select RF LEVEL -7 dBm and adjust R84 then optimize with 2.9 dBm adjustment. Finally calibrate at 100 MHz and subsequent 100 MHz intervals up to 1 GHz.	Adjust R84 to give a 9.9 dB difference between the 2.9 and -7 dBm readings at 200 MHz.

TABLE 5-6 A2/1 POWER SUPPLY AND CONTROL BOARD ALIGNMENT (contd.)

Adjustment	Test equipment	Method	Adjustment window/Comments
'Cal. AM ≥62.5 MHz' and R90 Correct det'.	Modulation meter	Select CARR FREQ, 200 MHz, RF LEVEL, 6 dBm, AM, AM 80%. Adjust (using 2ND FUNCT 194) until reading is correct. Select RF LEVEL, -6.9 dBm, AM, 90% and adjust R90 for correct AM depth. Re-check cal. data setting at 6 dBm.	
'Cal. RF power' and R101 (AB1/1) 'LF ALC low'	Power meter	Select CARR FREQ, 15 MHz, RF LEVEL, 2.9 dBm. Adjust (using 2ND FUNCT 192) cal. data for 2.9 dBm output. Select RF LEVEL, -7 dBm and adjust R101 (AB1/1) for -9.9 dB w.r.t. 2.9 dBm reading. Recheck the 2.9 dBm setting.	It is unlikely that there will be a significant dif- ference in the calibration data.
'Cal. AM <62.5 MHz'	Modulation meter.	Select CARR FREQ, 15 MHz, RF LEVEL, +6 dBm, AM, 95%. Adjust (using 2ND FUNCT 194) for correct value.	It is unlikely that a significant change in cal. data will be required.
R113 'External Mod'	Modulation meter. Accurate 1 V RMS 1 kHz external source.	Select CARR FREQ, 250 MHz, FM dev., 99.9 kHz. Apply Ext. Mod. source, MOD ALC on. Note the reading. Switch MOD ALC off and adjust R113 for iden- tical dev. reading. Recheck MOD ALC on reading.	

TABLE 5-6 A2/1 POWER SUPPLY AND CONTROL BOARD ALIGNMENT (contd.)

Adjustment	Test equipment	Method	Adjustment window/Comments
'Cal. FM and R58 Set LF FM'	Modulation meter and Audio source 100 Hz, 0 kHz, 1 V RMS.	Select CARR FREQ, 250 MHz, FM dev. 99.9 kHz. Apply 10 kHz Ext. Mod. source, MOD ALC on. Adjust cal. data (using 2ND FUNCT 191) for 99.9 kHz dev. Now set Ext. Mod. source to 100 Hz and adjust R58 for 99.9 kHz dev. Remove Ext. Mod. source and select Int. Mod. and re-calibrate at frequencies shown in Table 5-20.	If calibration number does not change by more than one or two digits, check to see if FM is within specification before proceeding with re-calibration.
R56 'Set ΦM '	Modulation meter	Select CARR FREQ, 250 MHz, ΦM 9.99 rads. dev. Adjust R56 for the same reading.	Can be demodulated as FM and dev. set to 9.99 kHz. 1 kHz internal source frequency is extremely accurate.
(A0/1)R1 'Int. Std. Adjust'.	Frequency counter	Adjust A0/R1 for correct reading.	2022C frequency accuracy is directly dependent on this setting.

TABLE 5-7 AA1 SYNTHESIZER BOARD ALIGNMENT

Adjustment	Test equipment	Method	Adjustment window/Comments
R43 'Set 1 kHz level'	AC voltmeter	Select INT MOD and monitor the voltage on the MOD IN/OUT socket. Adjust R43 for 1.00 V RMS.	
(A0/1)R1 'Int. Std. Adjust'	Adjustment carried out in conjunction with A2/1 board alignment - see Table 5-6.		
(A2/1)R67 'Correct jitter'	Adjustment carried out in conjunction with A2/1 board alignment - see Table 5-6.		Allows for variations in component value.
(A2/1)R58 'Set LF FM'	Adjustment carried out in conjunction with A2/1 board alignment - see Table 5-6.		Allows for variations in component value.

TABLE 5-8 AA2 MICROPROCESSOR BOARD ALIGNMENT

Adjustment	Test equipment	Method	Adjustment window/Comments
R1 'Set +4.5 V'	Digital voltmeter	Monitor TP1 and adjust R1 for +4.5 V.	Between +4.5 and +4.55 V.
EAROM Recalibration	All recalibration data relating to second functions 191,192,193 and 194.		Should not be necessary to re-adjust preset controls if this is the only requirement.

TABLE 5-9 AB1/1 RF PROCESSING BOARD ALIGNMENT

Adjustment	Test equipment	Method	Adjustment window/Comments
C38 '250 MHz'	Digital voltmeter	Select CARR FREQ, 250 MHz. Adjust C38 for 2.0 V on PLAD pin 16.	± 0.1 V
C31 '353 MHz' (carrier frequency)	Digital voltmeter	Select CARR FREQ, 33 MHz. Adjust C31 for 2.0 V on PLAD pin 16.	± 0.1 V

TABLE 5-9 AB1/1 RF PROCESSING BOARD ALIGNMENT (contd.)

Adjustment	Test equipment	Method	Adjustment window/Comments
C7 '160 MHz'	Digital voltmeter	Select CARR FREQ, 10 MHz. Adjust C7 for 12.0 V on PLAD pin 1.	± 1 V
C18 'LF AM MOD'	Digital voltmeter	Select CARR FREQ, 10 MHz RF LEVEL, 0 dBm. Connect DVM to ALC LF test point and adjust C18 for maximum positive voltage.	Nominally +6 V to +7 V.
'Cal FM and (A2/1)R58 Set LF FM'	See A2/1 board alignment (Table 5-6)		
'Cal RF power and (A2/1)R84 HF ALC low'	See A2/1 board alignment (Table 5-6)		
'Cal RF power and R101 LF ALC low'	See A2/1 board alignment (Table 5-6)		
'Cal band-pass filter and L13 notch'	Digital volt- meter and 500 MHz Spectrum Analyzer	Calibrate band-pass filter (see A2/1 board alignment). Note calibration value at 500 MHz. Select CARR FREQ, 499 MHz, RF LEVEL, +6 dBm, (using 2ND FUNCT 3 address[12]) enter value noted above into the filter tracking DAC. Adjust L13 for minimum output at 499 MHz.	There will be some effect due to hand capacitance although the adjustment is not critical. Should obtain typically 20 dB rejection from the notch.
C16 'LF AM mod.'	Digital voltmeter	Select CARR FREQ 15 MHz. Monitor 'ALC LF' test point and adjust for maximum reading.	The voltage measured will depend on the RF LEVEL selected.

TABLE 5-9 AB1/1 RF PROCESSING BOARD ALIGNMENT (contd.)

Adjustment	Test equipment	Method	Adjustment window/Comments
'Cal. AM ≥62.5 MHz and (A2/1)R90 Correct det'	See A2/1 board alignment (Table 5-6)		
'Cal AM ≤62.5 MHz'	See A2/1 board alignment (Table 5-6)		

TABLE 5-10 ATTENUATOR ASSEMBLY ALIGNMENT

Adjustment	Test equipment	Method	Adjustment window/Comments
'CAL RF power'	Power meter	Select CARR FREQ, 15 MHz, 100, 200, 300, 400, 500, 600, 700, 800, 900 and 1000 MHz, RF LEVEL, 0 dBm. Adjust cal. data (using 2ND FUNCT 192) to give 0 dBm output.	No attempt should be made to adjust the frequency compensation screws on The attenuator assembly. Refer to factory.

External frequency standard adjustment (1, 5 or 10 MHz)

11. One of three external standard frequencies may be used providing a link on AA1 board is correctly positioned. Fig. 5-13 shows the position of the three link positions for 1, 5 or 10 MHz. Withdraw the link manually from the board (normally selected to 10 MHz) and reposition as required. On completion apply power and using 2ND FUNCT 10 record the current selection and STORE. Further check by selecting 2ND FUNCT 1 'Status' mode that the correct reading is evident in the modulation window.

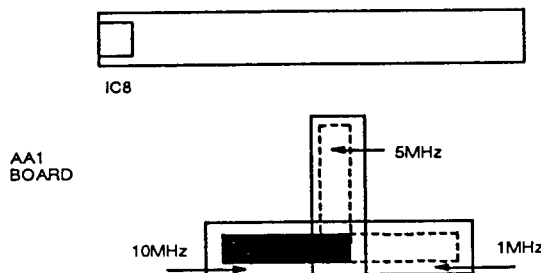


Fig. 5-13 External frequency standard adjustment (1, 5 or 10 MHz)

Chapter 5-3

FAULT LOCATION

CONTENTS

Para								
1	Introduction							
5	Fault finding to board level							
7	Front panel failure							
15	Output frequency error							
23	RF level errors							
35	AM faults							
41	FM and Φ M faults							
51	Excessive carrier harmonics							
59	GPIB faults							
62	Manual latch setting							
63	Data entry							
69	Fault finding to component level							
75	Display and keyboard (A1)							
81	Power supplies, modulation control and data conversion (A2/1)							
94	Power supply/control latch address data							
95	Frequency synthesizer and internal modulation source (AA1)							
112	Microprocessor (AA2)							
118	RF processing board (AB1/1)							
Table								Page
5-11	Front panel failures	47
5-12	Error messages (AA2)	50
5-13	Processor machine cycle status (AA2)	51
5-14	Output frequency error	52
5-15	AB1/1 control data	53
5-16	Frequency latch setting data	54
5-17	RF level errors	55
5-18	AM depth errors	58
5-19	FM deviation errors	60
5-20	Typical FM tracking data	62
5-21	Typical calibration data and drive voltages for AB1/1 band-pass filter							65
5-22	2022C latch addresses...	69
5-23	Display and keyboard latch address data	72
5-24	Power supply/Control latch address data	75
5-25	Frequency synthesizer latch address data	81
5-26	Synthesizer frequency address decoder outputs	82
5-27	Data latch increment sequence	83
5-28	Typical band-pass filter tracking voltages/calibration data	87
5-29	62.5-1000 MHz output amplifier drive conditions	87
5-30	Frequency band switching, logic levels	88
Fig.								Page
5-14	Voltage test points	48
5-15	Data transfer between boards	49
5-16	Backplane drive waveforms and test locations	71
5-17	Effect of square-law correction circuit A2/1	73
5-18	160 MHz phase detector IC6, timing signals	77
5-19	Synthesizer drive and control waveforms	79

INTRODUCTION

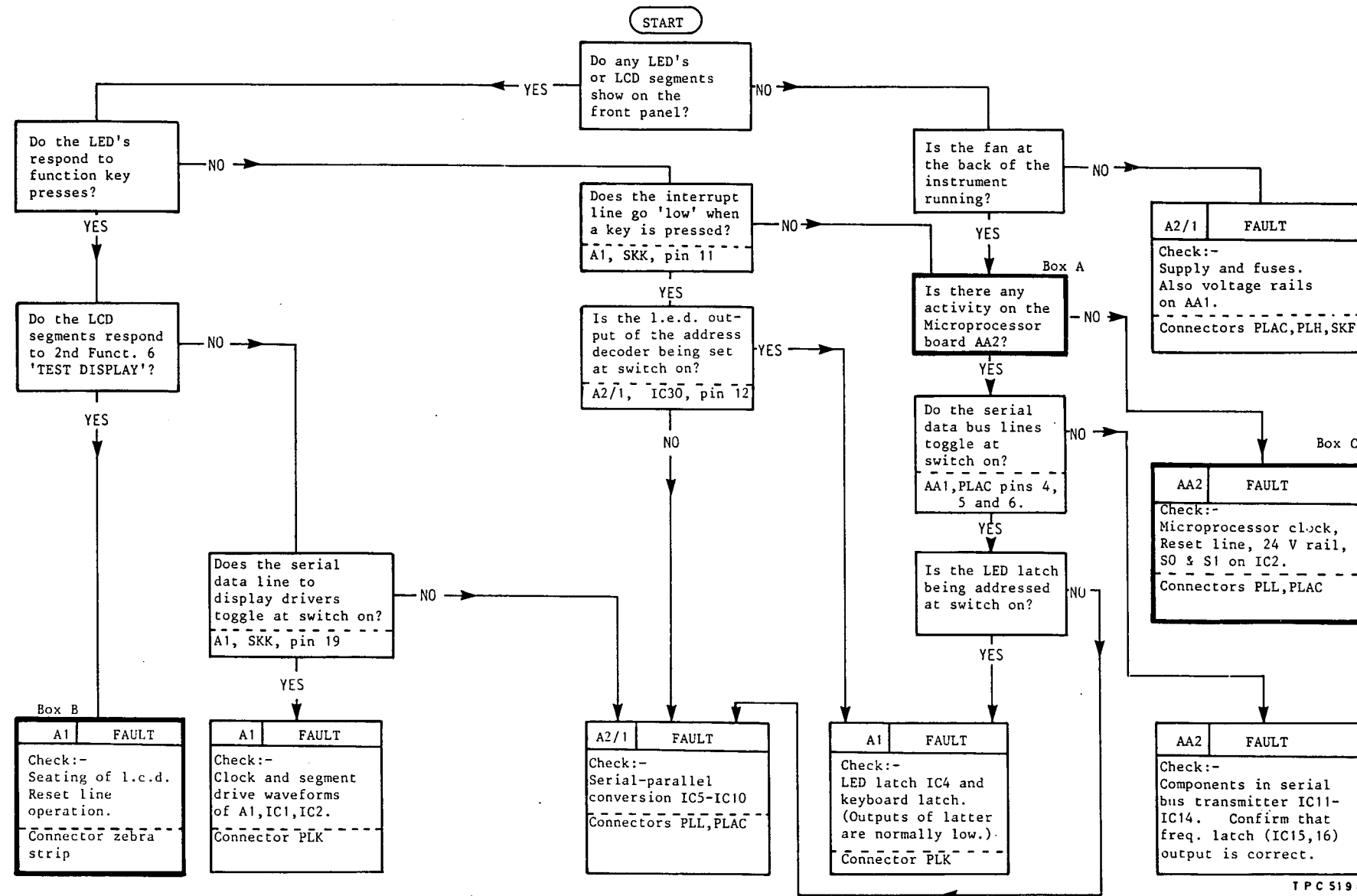
1. This chapter deals with diagnostic procedures and tests to aid fault localization. Information is given in three groups:-
 - (1) **Fault finding to board level** from front panel symptoms and error messages, followed by diagnostic charts for each functional area of the instrument.
 - (2) **Manual latch setting** procedures for entering binary data to specified latches, allowing diagnosis of internal bus or latch faults.
 - (3) **Fault finding to component level**, giving test data and procedures for each board.
2. The functions of each board are generally well defined and independent of each other as far as possible. The recommended method of confirming a board fault is to substitute a known good board (e.g. from a spare serviceable instrument). This can save considerable fault finding time.
3. Easily accessible test points are provided on the boards to allow you to quickly confirm that voltage rails are correct. These are simply solder pads with a central hole surrounded by a white circle. The nominal voltage expected at that point is also indicated as shown in Fig. 5-14.
4. Test equipment recommended for fault finding is listed in Chap. 5-0. Before carrying out any internal operations refer to Chap. 5-0 for safety considerations and access instructions.

FAULT FINDING TO BOARD LEVEL

5. The following section describes fault finding routines using tables which may be used to help diagnose faults down to board level. The fault finding routines start from a generalized fault condition and guide you to the most likely area of the fault. The generalized fault conditions used as a starting point are as follows:

- (a) Front panel failure
- (b) Output frequency error
- (c) Output RF level error
- (d) RPP failure
- (e) AM fault
- (f) FM/ Φ M fault
- (g) Residual noise on carrier frequency
- (h) Excessive carrier harmonics
- (i) GPIB fault

TABLE 5-11 FRONT PANEL FAILURES



TPC 5196

FAULT LOCATION

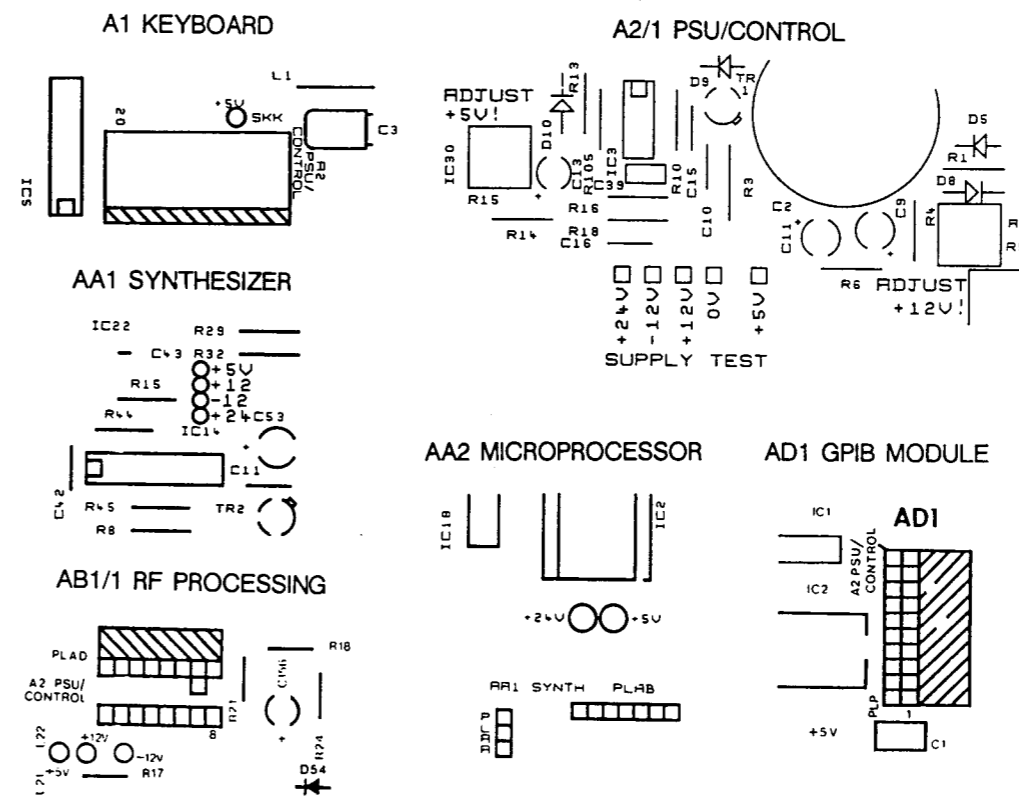


Fig. 5-14 Voltage test points

6. Choose the description that most closely describes the fault condition and use the fault finding guide to establish the area of the fault. Before using the fault finding tables read the accompanying notes. The construction of the instrument is such that it should be possible to locate and correct all faults without resorting to special adapters or extender cables. Where board exchange is practised or where the repair to a board is such that recalibration may afterwards be required - see Chap. 5-2, Adjustment and Calibration.

Front panel failure

7. A chart to aid fault finding in this area is given in Table 5-11. A front panel failure is defined as a fault in which the keyboard or the information given on the LCD and LEDs is abnormal.

8. The fault is likely to be on one of three boards or the interconnections between these.

Suspect boards	Interconnections
AA2 Microprocessor	AA2 (PLAC) - A2/1 (PLL)
A2/1 Power supply & control	A2/1 (PLF) - Transformer T1
	A2/1 (PLH) - A0/1 power devices TR1,IC1
	A2/1 (PLK) - A1 (SKK)
A1 Keyboard & display board	A1 (SKK) - A2/1 (PLK)

Fig. 5-15 shows the format in which data is transferred between boards and Table 5-11 should assist in diagnosing which of the three boards is at fault. Generally information from the microprocessor is transmitted in serial form to A2/1. Here its format is modified to suit the device being controlled. The LCD drivers use a special format serial link whilst the keyboard and LEDs are controlled using a parallel bus.

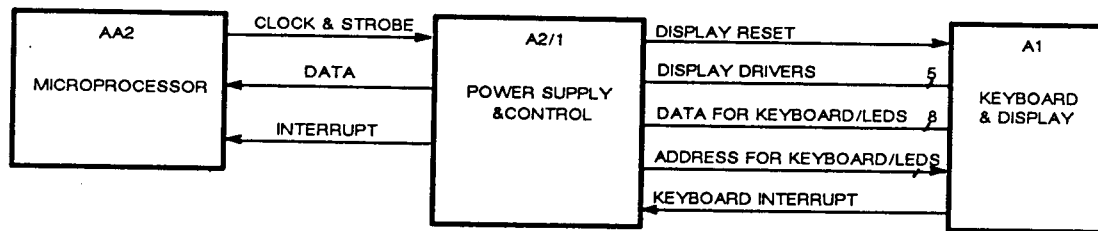


Fig. 5-15 Data transfer between boards

9. The microprocessor is interrupt driven, so that key presses need to cause an interrupt before the processor will take data from A2/1 to check the state of the keyboard. If the microprocessor is serviceable but a fault exists in the memory, then an error number may be displayed depending on the location of the fault. Error numbers are displayed in the carrier frequency window as shown below. Table 5-12 gives details of all available error numbers.



TABLE 5-12 ERROR MESSAGES (AA2)

Error No.	Error condition
01*	Request outside limits
02*	Incorrect key code sequence
03*	Too many digits
04*	Incorrect unit
05*	RPP trip
06	RAM check failure (IC9)
07	EAROM checksum failure (IC10)
08	EPROM checksum failure (IC5-IC8)
09*	External modulation outside ALC range (LOW)
10*	External modulation outside ALC range (HIGH)
11	External standard selected but not applied
12	External standard frequency not locking
13	Latch write error
14	EAROM write error
15	EAROM recall error
16	GPIB bus error
17	Unrecognized GPIB mnemonic/character
18	Attempt to write to protected store

* These error numbers refer to GPIB error conditions and therefore do not indicate on the front panel display.

10. **Error 06 RAM check failure.** This test is carried out by writing a series of '1's and '0's into the RAM - see para. 62 - and then reading them back.

Error 07 EAROM checksum failure. This is carried out by summing the calibration data and a checksum byte. If the result is not FF then error 07 will be displayed.

Error 08 EPROM check failure. This is similar to the EAROM check. Data that is stored in memory is also checked. If error 07 is displayed when a store is recalled it indicates that the stored data has been corrupted.

FAULT LOCATION

11. **Box A (see Table 5-11) Microprocessor activity.** If the display is blank or there is no response from the keyboard, it will be necessary to gain access to AA2 board. At switch on, data to set up all the latches is sent over the serial bus. The processor then goes into a loop WAITING FOR AN INTERRUPT. Examination of the low order address/data lines from the processor with a logic probe should reveal activity in both cases. Data, clock and strobe lines should be checked immediately after switch on.
12. **Box B (Abnormal LCD presentation).** If the reset line to the LCD drivers fails to operate it is likely that the left and the right sides of the display will be different in appearance, with the contrast on the right-hand side poorer than that on the left-hand side.
13. **Box C (No microprocessor activity).** Although an error number may not be displayed this does not preclude the possibility of either a RAM or an EPROM fault. If the microprocessor is unable to run the system and fails to respond at all, first check for obvious faults e.g. ICs running hot, clock input (5 MHz at IC2 pin 1) and clock output (2.5 MHz at pin 37), RESET 'L' on pin 36 (this will be 'low' if +5 V rail falls below +4.5 V) and the Memory protection circuit (+21 V at test point 13).
14. If no address/data lines are active, check the state of IC2 S0 pin 29 and S1, pin 33 advanced timing signals. Because these have no direct application on 2022C they are not shown on the circuit diagram. It is possible that the processor has misinterpreted the address or data lines and as a consequence performs a halt instruction. Confirm this by checking for logic 'low' level on both S0 and S1 lines. Table 5-13 shows the machine cycle status for the states available from which other possible errors can be determined.

TABLE 5-13 PROCESSOR MACHINE CYCLE STATUS (AA2)

S ₀	S ₁	States
0	0	Halt
0	1	Memory read
1	0	Memory write
1	1	Op code fetch

Output frequency error

15. Assistance in finding an output frequency error is given in Table 5-14. An output frequency error is defined as a fault in which the frequency, when measured using a frequency counter operating from the same frequency standard as the instrument, indicates that the output differs from the value set.
16. When the instrument is using an external frequency standard ensure that this is of the correct level (greater than 1 V RMS) and the correct frequency (1, 5 or 10 MHz). Check Second function 1 'Status' to determine which of the three is internally selected. Instructions on changing the internal selection, normally set to receive a 10 MHz standard, are given in Chap. 5-2, para. 11.

TABLE 5-14 OUTPUT FREQUENCY ERROR

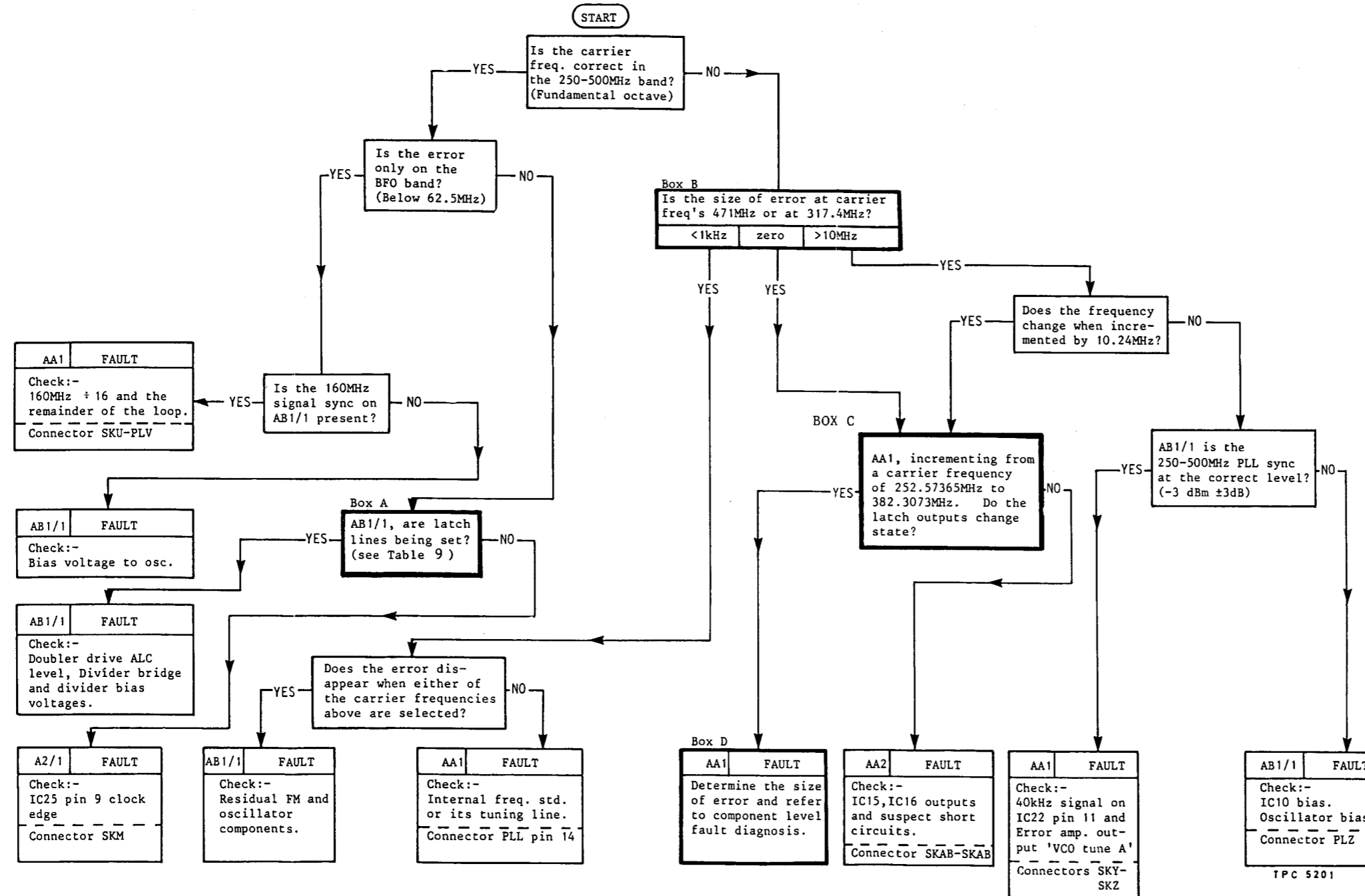
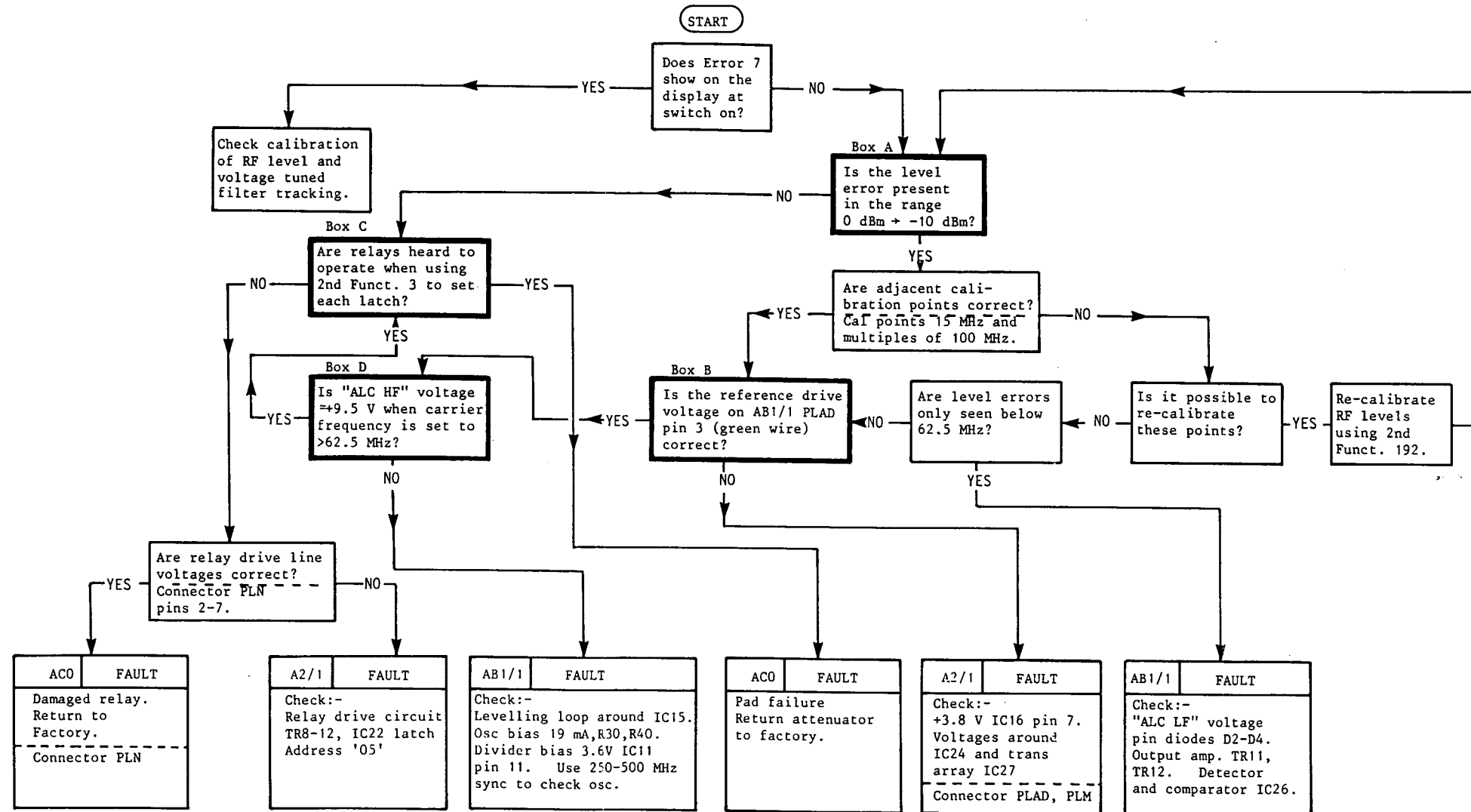


TABLE 5-17 RF LEVEL ERRORS



IPC 5197

RF level errors

23. A chart to aid fault finding in this area is given in Table 5-17. An RF level fault is defined as a failure which results in the RF level being out of specification but the carrier frequency is correct. In assessing that the RF level is out of specification the RF level offset facility (second function 15) should be switched off. It is also assumed that the error is such that the instrument does not simply require recalibration.

24. If error number 07 (EARAM CHECKSUM FAILURE) is displayed at switch-on it is possible that a mistake has occurred during calibration or that data in the non-volatile memory AA2 IC10 has been corrupted, or is not storing data. Usually (but not always) such faults will also be accompanied by FM tracking, AM calibration and tuned filter tracking errors.

25. Because the attenuator unit is a possible source of trouble it simplifies fault finding to initially set this to be out of circuit. This may be done by selecting an RF level setting of 0 dBm. All of the pad relays will then be de-energized. The fault is likely to be one of three boards or the interconnections between these.

Suspect boards	Interconnections
A2/1 Power supply and control	A2/1 (SKM) - AB1/1 (SKAD)
AB1/1 RF processing	A2/1 (SKM) - AB1/1 (SKAD)
AC1 RF attenuator	SKN - Power supply to AC1
	PLAE - RF signal to AC1
	PLAF - RF signal AC1 to front panel SKB

26. **Box A (see Table 5-17) Attenuator/fine level control errors.** If the fault is confined to level selections below -7 dBm it is possible to differentiate between attenuator or fine level control faults by adding multiples of 10 dB to the level. As the level is increased it may become obvious that a gross error is present with a particular pad in circuit. If however the error is present when the attenuator is no longer contributing to the insertion loss the fine level control is suspect.

27. **Box B (AB1/1 Reference drive voltage).** Check that, with a carrier frequency of 200 MHz selected, the following nominal voltages are present on AB1/1 PLAD pin 3.

RF level setting	Drive voltage
+13 dBm	3.7 V
+7 dBm	1.8 V
0 dBm	0.77 V
-7 dBm	0.31 V

28. **Box C (Attenuator relay function).** Each of the relays can be selected individually by utilizing the second function 3 mode of operation. Details of this procedure is given in "Use of second function 3 (Manual latch setting)". Each relay is accessed by the method described in Chap. 5-1, para. 6.

29. Further use of the second function 3 control can be made to select each relay in turn and listen for them to de-energize and re-energize. Data is set to '1' logic high, then returned to '0' logic low. Press the STORE key after each bit of data is set to '1' or reset to '0'. Begin with D0 - D4 all set to '0', all relays should now be energized. Set each data bit in turn to logic '1', STORE, then reset to '0' and STORE again.

FAULT LOCATION

D0 set to '1' de-energizes RLA
D1 set to '1' de-energizes RLB
D2 set to '1' de-energizes RLC
D3 set to '1' de-energizes RLD
D4 set to '1' de-energizes RLE

If the attenuator unit is suspected, remove AB0 unit; the attenuator can then be detached from this without further dismantling by removing the four securing screws and the conhex connector from AB1/1.

Note ...

When refitting AB0 unit take care to prevent damage to GPIB board AD1 if this is fitted.

30. **Reverse power failure.** A TO5 relay in the attenuator unit (RLF) gives protection for the attenuator's resistive elements by presenting an open circuit to the output connector SKAF if excessive voltages are detected on the signal line. Testing of this circuit is described in Chap. 5-1. If a fault is suspected, it is safer to set the RF level to 0 dBm to give protection to the pads.

31. Should the RPP not trip, check for correct operation of the detectors D1 and D2. This can be achieved by raising the rear of unit AB0 slightly to give access to PLN, see Fig. 5-1. Set the RF level to 0 dBm, then apply +5 V between earth and the centre pin of the output connector. Connect a voltmeter between earth and PLN pin 9; this should read approximately +0.25 V. Reverse the polarity of the applied voltage. Now apply the voltmeter positive terminal to earth and the negative terminal to PLN pin 10. The voltage should be approximately -0.25 V.

Note ...

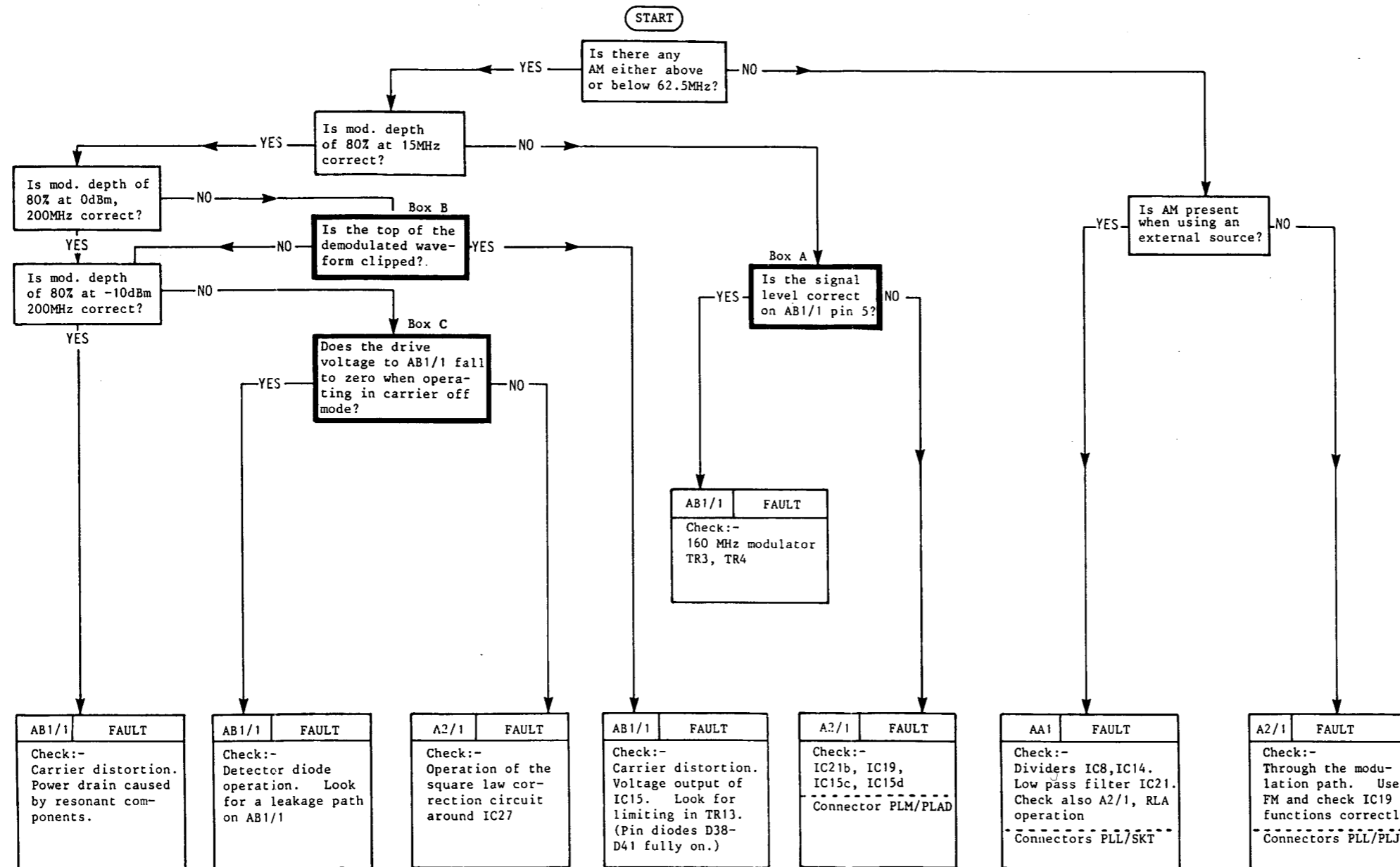
If a very high impedance voltmeter is used it is possible that hum picked up from surrounding connectors will be peak detected. This will give a standing reading of voltage even when a voltage is not applied to the output connector. Either subtract this offset from the reading obtained when carrying out the test or alternately shunt the voltmeter with a 100 k Ω resistor.

32. Most faults are likely to be confined to either AC1 attenuator board or A2/1 Power supply and control board. The most likely suspect interconnection is PLN on AC0 attenuator to A2/1 control.

33. **Attenuator accuracy.** The only electrical adjustment provided on AC1 is a series of flags which may be used to adjust the calibration of each pad. In the 0 dBm attenuation condition the attenuator has an insertion loss which is dependent upon the frequency selected. This insertion loss is compensated for by RF level calibration. The flags are used to adjust the attenuation of each pad so that the difference between the attenuation of each pad being in or out of circuit is equal to the nominal attenuation of the pad at 1 GHz.

34. To carry out comprehensive attenuator accuracy checks and realignment requires each pad to be set up separately using specialized measuring facilities. It is therefore recommended that this be carried out only by the nearest Marconi Instruments agent or Service Division. (A spectrum analyzer may be used to check levels down to -90 dBm with limited accuracy.)

TABLE 5-18 AM DEPTH ERRORS



TPC 5199

FAULT LOCATION

AM faults

35. Two systems are used to achieve the required modulation. The first system employs a fixed frequency modulator when carrier frequencies up to 62.5 MHz are selected. The second system (for carrier frequencies above 62.5 MHz) uses envelope feedback operating around the output amplifier.

36. If the fault is such that the AM fails completely it should be possible to locate this by following the AM path from the modulation source. If some AM is present but with the incorrect depth, check to see which of the two systems described above are defective. It is assumed that it is not possible to carry out the normal recalibration procedure.

37. The following boards and connectors are possibly connected with an AM fault.

Suspect boards	Interconnections
A2/1 Modulation control	A2/1 (PLM) - AB1/1 (SKAD)
A2/1 Modulation control	A2/1 (PLJ) - Front panel (SKA)
AB1/1 RF signal processing	AB1/1 (SKAD) - A2/1 (PLM)
AA1 Internal mod. source	AA1 (PLT) - A2/1 (PLL)

38. **Box A (see Table 5-18) 160 MHz amplitude modulator fault.** Select a carrier frequency of 15 MHz, modulation depth of 80% and an RF level of 0 dBm. Check at AB1/1 PLAD pin 5 (white wire) for a sine wave with a zero mean and peak amplitude of 5.5 V.

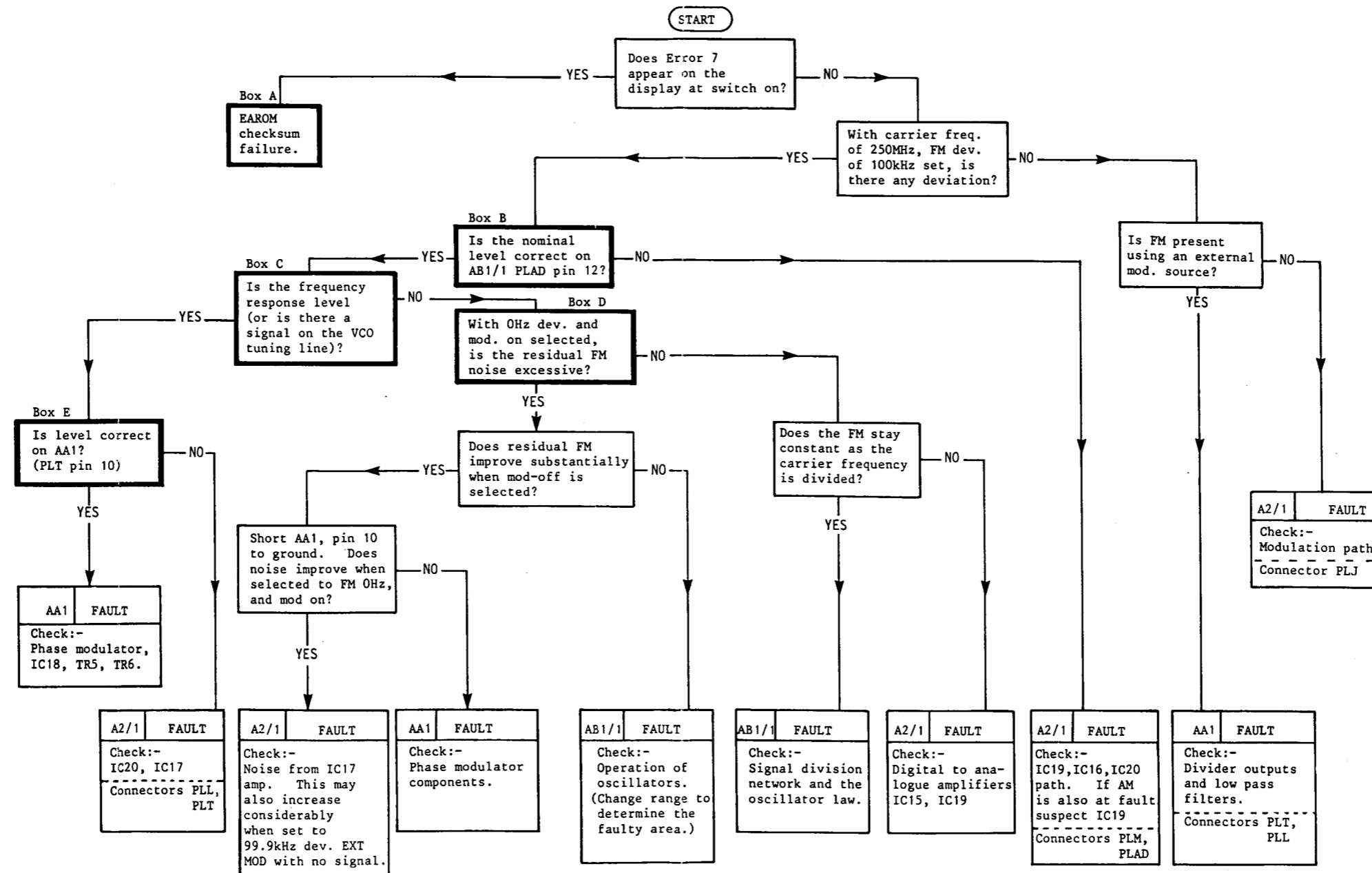
Note ...

When AB1/1 unit is disconnected from A2/1 board there is a slight loading effect on the voltage seen on A2/1, approximately 0.5 V.

39. **Box B (Envelope feedback fault).** Envelope distortion may occur if there is a restriction on the level range. Using the internal modulation output as a sync signal it should be possible to determine whether the peak power is limited. AM is applied in the same sense as the voltage on the MOD IN/OUT socket, where a positive voltage means a greater power level.

40. **Box C (Square law correction error).** If the trough of the modulation envelope is at fault it is possible that the square law correction circuit on A2/1 board is malfunctioning. A further possible cause is a severe leakage to earth on AB1/1 board. Check the voltage on AB1/1 PLAD pin 3 (green wire); this should fall to 0 V, or slightly negative depending on the setting of the detector correction potentiometer A2/1 R90.

TABLE 5-19 FM DEVIATION ERRORS



TPC 5200

17. The following boards are those that are concerned with the generation of the output frequency and could be at fault.

AA1	Synthesizer
AB1/1	RF signal processing
A2/1	Power supply/Control
AA2	Microprocessor

18. Before carrying out extensive tests on a board check the following connectors which could be at fault:

SKV - SKW	160 MHz sync from AB1/1 to AA1
SKY - SKZ	250-500 MHz sync from AB1/1 to AA1
PLAB	Microprocessor to synthesizer
PLM - PLAD	A2/1, Control to AB1/1

19. Signal frequency faults can be divided broadly into three categories:

- (1) RF signal processing - division, multiplication or mixing
- (2) Frequency synthesis
- (3) Variations in the reference frequency

Initially it is advisable to begin by checking the fundamental octave, 250-500 MHz. If this is not where the fault lies, suspect a category (1) fault.

20. **Box A (see Table 5-14) AB1/1 control lines.** Select and switch between the two carrier frequency settings shown in Table 5-15. Switching between the two should cause all four bits of data to change. If the frequency is not correct on the fundamental band suspect either the synthesizer or reference frequency standard, depending on the size of the error.

TABLE 5-15 AB1/1 CONTROL DATA

Selected frequency	A0 pin 6 (2nd brown lead)	A1 pin 11 (2nd red lead)	A2 pin 5 (White lead)	OSC HIGH pin 10 (2nd yellow lead)
10 MHz	0	1	1	0
200 MHz	1	0	0	1

21. **Box B (Size of frequency error).** With reference to box B, shown in Table 5-14, two selected frequencies, 471 MHz and 317.4 MHz, are called for. These are chosen such that only the four modulus divider IC9 on AA1 is in use. A "zero" error implies an error that is within the drift limit of the internal reference frequency measurement accuracy.

22. **Box C (Significant frequencies).** The two frequencies chosen here, 252.57365 and 382.3073 MHz, cause all of the frequency setting latch outputs to change state. First enter 252.5736 MHz and then use a 50 Hz positive increment. STORE this in location 02. Now enter 382.30730 MHz and STORE in location 03. If RECALL is now used the increment keys can be used to change rapidly between one setting and the other. The increment up key will require pressing each time RECALL 02 is used to set the last 3 bits in IC23 correctly.

TABLE 5-16 FREQUENCY LATCH SETTING DATA

Frequency	IC13	IC19	IC3	IC24	IC23
252.57365 MHz	011001	01	010101	010101	010101
382.3073 MHz	100110	10	101010	101010	101010
DATA BIT	D ₅ ----D ₀	D ₁ ----D ₀	D ₅ ----D ₀	D ₅ ----D ₀	D ₅ ----D ₀

FM and Φ M faults

41. An FM fault finding guide is given in Table 5-19. (It is assumed that the fault cannot be rectified by simply recalibrating the instrument.) Frequency modulation at rates greater than 1 kHz is mainly derived by simply applying the signal to the VCO tuning line. A differentiator in the signal path creates phase modulation (6 dB/octave pre-emphasis). The deviation that is applied over the fundamental octave is scaled appropriately for the doubler and divider bands.

42. Angle modulation at low frequencies is achieved by introducing a phase modulator into the reference signal path of the synthesizer. By integrating the signal driving the phase modulator an equivalent of frequency modulation is then obtained.

43. The following boards and connectors are possibly connected with an FM or Φ M fault :

Suspect boards	Interconnections
A2/1 Modulation control	A2/1 (PLM) AB1/1 (SKAD) Signal from mod. control
AA1 Low freq. modulation source	A2/1 (PLL) - AA1 (PLT) Mod. signal from AA1 to A2/1
AB1/1 FM and VCO drive	A2/1 (PLJ) - Modulation in/out

44. **Box A (see Table 5-19) Error 7, EAROM checksum error.** First check that the reason for this display is not operator error (EAROM checksum not reset via 2ND FUNCT 195 after recalibration procedures). Information on the resetting of the EAROM checksum, if required, is given in Chap. 5-2, para. 9. Assuming that a fault is present it is most likely to be caused by corruption of data for some reason. As an aid to diagnosing a fault in the FM tracking store, Table 5-20 gives a list of carrier frequencies used as FM tracking points together with the typical values of FM tracking data. Normally instruments will be within approximately 20% of the values listed. There should be no abrupt changes in value except possibly where the oscillator ranges change over at 353 MHz.

45. In the course of fault finding it may be required to check the input and output levels of the various digital-to-analogue converters. This can best be carried out using a digital AC voltmeter and 2ND FUNCT 3 mode to access each IC as required. The latch address numbers are given both in Chap. 7 and in Table 5-4.

46. **Box B (FM level).** Set the carrier frequency to 250 MHz, FM 99.9 kHz. Use 2ND FUNCT 3 to set address 10 to '200'. Check that the signal on AB1/1 PLAD pin 12 (black wire) is 5.2 V p-p.

TABLE 5-20 TYPICAL FM TRACKING DATA

OSC 1		OSC 2	
Frequency	Data	Frequency	Data
250 MHz	194	353 MHz	125
254.12	204	358.88	132
258.24	212	364.76	137
262.36	218	370.64	141
266.48	221	376.52	143
270.60	223	382.40	144
274.72	223	388.28	144
278.84	222	394.16	143
282.96	219	400.04	141
287.08	215	405.92	139
291.20	211	411.80	136
295.32	207	417.68	133
299.44	202	423.56	130
303.56	197	429.44	128
307.68	193	435.32	125
311.80	189	441.20	123
315.92	186	447.08	121
320.04	184	452.96	120
324.16	182	458.84	119
328.28	181	464.72	118
332.40	180	470.60	118
336.52	180	476.48	119
340.64	182	482.36	120
344.76	183	488.24	122
348.88	185	494.12	124
352.9999	189	499.9999	127

47. **Box C (Frequency response).** Apply an external modulation of 1 V RMS at a frequency first of 1 kHz and then at 100 Hz. If there is a marked difference in the frequency response between the two then suspect the low frequency modulation path. An alternative method of checking the reference phase modulator is to examine the AC signal on the VCO tuning line AB1/1 PLAD pin 16 (red wire). If the FM tracking is set correctly there should be less than 5 mV p-p of the 1 kHz signal.

Note ...

The 1 kHz MOD IN/OUT output from 2022C can be used to synchronize an oscilloscope enabling the above to be seen more easily.

48. **Box D (Excessive residual FM).** If excessive FM is present on the carrier frequency a higher than normal deviation can be expected. To check for residual noise set 0 Hz, FM and monitor the output of a low noise modulation meter (2305) set to measure FM. If noise is excessive follow the additional procedures given in Table 5-19, and para. 50.

49. **Box E (LF FM level fault).** Select a carrier frequency of 250 MHz and a deviation of 99.9 kHz. Check at AA1 PLT pin 10 (black wire) for a 1 kHz, 150 mV p-p signal.

50. **Box D (Residual noise on carrier frequency).** If excessive noise is present on the carrier frequency several possible sources must be considered. Initially check to ascertain which of the following is the problem source then carry out the necessary remedial action.

(1) **AM noise (carrier frequencies above 62.5 MHz).** Due to the action of the levelling loops it is unlikely that changes in amplitude of signals prior to the output amplifier will be transferred to the final signal. If it is found that the correction voltage on AB1/1 testpoint "ALC HF" (junction of IC15 pin 6 and R112) is noisy this is likely to be caused by disturbances on the reference level line. Use an oscilloscope to check the signal on AB1/1 PLAD pin 3 (green wire). With no AM applied it should be a DC level free from fluctuations. If not suspect the modulation control circuit on A2/1board. To access this remove unit AB0 and retrace the modulation path from A2/1 PLM pin 3.

(2) **AM noise (carrier frequencies below 62.5 MHz).** The response of the levelling loop is extremely slow on this frequency range and because of this noise on the reference line AB1/1 PLAD pin 3 (green wire) will have less effect than noise on the AM drive line AB1/1 PLAD pin 5 (white wire). Check this for any fluctuations and retrace these to A2/1 board if necessary.

(3) **FM noise.** Check to establish first that the fault is common to carrier frequency selections of both above and below 62.5 MHz or confined to one range only. Ensure that the measuring instrument is not at fault.

Below 62.5 MHz only. Here the 160 MHz loop is suspect. If the frequency of the disturbance is comparatively high (above several hundred hertz), check AB1/1, 160 MHz VCO circuit particularly around TR1. Scintillation in the capacitors can cause an audio crackling noise. This can be checked by monitoring the 2305 LF output with a loudspeaker.

Above and below 62.5 MHz. With noise in this category it will be necessary to determine whether oscillators or the control signal is at fault. Selecting carrier frequencies of 352 and 354 MHz respectively will change from one oscillator to the other. This will indicate a fault on one or the other oscillator unit if either of these are faulty. Use of the MOD ON-OFF selection will switch AA1 phase modulator on and off. If the FM is set to 0 Hz, this is the next most likely cause. Also check AA1 PLT pin 10 (black wire) LF FM line. To check the performance of the modulator signal path select EXT MOD and a deviation of 99.9 kHz. If the noise increases use Second function 3 to control the gain of A2/1 IC20, (address 09 and 10), A2/1 IC11 (address 04) and A2/1 IC19 (address 07 and 08) until the noise level drops. The cause should then be apparent.

Note ...

Other inadequately screened instruments radiating magnetic fields at the line frequency can also be the cause of excessive hum components. If noise is present on both oscillators with the FM modulation off and there is no apparent noise on the FM line A2/1 PLM pin 12 (black wire) – look for 100 μ V or less (in the 50 Hz – 50 kHz bandwidth), suspect the loop error amplifier if this is excessive. Check the noise on the VCO TUNE A line at A2/1 SKM pin 16 (red wire); this should be approximately 1 mV p-p. Measurement bandwidth is unimportant in this case.

Excessive carrier harmonics

51. If the harmonics are found to be in excess of the specification suspect AB1/1 RF processing board. Check the instrument and establish which carrier frequency range is at fault then carry out the remedial action suggested below.

52. **Carrier frequencies up to 62.5 MHz.** The harmonic level for these frequencies are determined by three factors :

- (1) The performance of fixed filters made up of printed circuit inductors and ceramic plate capacitors.
- (2) The drive levels to the mixer that creates the BFO signal.
- (3) The linearity of the BFO output amplifier. Of the three, (2) or (3) are most likely to be the cause of the problem.

53. Basic operation of the mixer drive may be checked by measuring the voltages on the two following test points :

AB1/1 'ALC DOUBLER' (adjacent to IC12a), should be 4 V \pm 0.25 V.

'ALC LF' (adjacent to R13) with a 50 Ω load connected should be as follows :

6.5 V – 7.5 V at a level of –10 dBm and

6 V – 7 V at a level of 0 dBm.

Notes ...

- (1) When monitoring the 'ALC DOUBLER' voltage, some variation of voltage will be observed across the frequency band.
- (2) Poor alignment of the LF AM MOD tuning capacitor C18 may also be a cause of a voltage abnormality on the 'ALC LF' test point.

54. Fault finding on the two stage output amplifier should be simple with each stage being independently biased. R65 is present to prevent ultra high frequency oscillations which would otherwise give misleading results. Voltages expected are +6 V at TR11 collector, and +4.5 V at TR12 collector. C94 may be disconnected if required allowing for the injection of a test signal to be applied through the amplifier.

55. **Carrier frequencies from 62.5 MHz to 250 MHz.** The factors that influence the harmonic content for this frequency range are the following :

- (1) Signal divider output balance
- (2) Fixed LC filters
- (3) Linearity of output amplifiers

Of the three (1) or (3) are the most likely cause of the problem. The second harmonic performance for the half octaves 62.5 MHz – 88.25 MHz and 125 MHz – 176 MHz are determined by the balancing of the Q and \bar{Q} outputs of AB1/1, IC11. The signal quality may be checked before reaching the output amplifier by connecting a 500 Ω oscilloscope probe across C60.

56. A self biasing arrangement, designed to maintain maximum sensitivity of the divider, should result in a voltage of approximately +3.6 V on AB1/1 IC11 pins 6 and 11. The output amplifier levelling loop should be +9.5 V to +10 V at 0 dBm with a 50 Ω load connected. (Note that D42 and D43 are matched devices). A test signal can be injected by disconnecting one side of C102 at the junction of R92. Apply the signal to C102, via AC coupling and at a level of 0 dBm.

57. **Carrier frequencies from 250 MHz – 500 MHz.** This frequency range is derived from the fundamental oscillators and uses a combination of a tracking notch filter and a fixed low-pass filter. Generally the second harmonic that reaches the output amplifier is low enough so that the amplifier distortion is what is actually seen at the output. The notch provides cover for the half octave 250 – 353 MHz. Use is made of the same data as that obtained for the band pass filter. To ensure correct tracking L13 (wire loop) is mechanically adjusted to cancel the second harmonic at 250 MHz. If the output amplifier is suspected carry out the checks given in the previous paragraph.

58. **Carrier frequencies from 500 – 1000 MHz.** This doubler range uses a voltage tuned band-pass filter to reject unwanted components. No mechanical adjustment exists for this filter; it relies on the approximate tracking of D34 – D37 varactor diodes although this tracking is not critical. The drive voltage is obtained by interpolating between points that are found by looking for the minimum insertion loss of the filter. The table below gives an approximation of the voltage that should be present on AB1/1 PLAD pin 15 (yellow wire).

**TABLE 5-21 TYPICAL CALIBRATION DATA AND DRIVE VOLTAGES
BAND-PASS FILTER**

Carrier frequency (MHz)	Drive voltage (AB1/1, PLAD, pin 15)	Calibration data
500 (250)	5.5 V	60
600 (300)	9.0 V	100
700 (350)	11.5 V	120
800 (400)	14 V	150
900 (450)	18 V	190
1000 (499.9)	23.5 V	250

Note ...

At higher power levels (above 0 dBm) where the harmonic distortion may rise above -30 dBc, the output level may be affected due to the peak detecting used to level the signal. This will not normally be significant but unexpected changes of level will result if additional capacitive loading is applied, especially to the output pin of IC14.

GPIB faults

59. Few checks are necessary on this board apart from the clock waveform on IC1 pin 8. The frequency here (although not critical) should be typically 1.2 MHz. If there is no response from the instrument to a GPIB command first ensure that the address that data is sent to corresponds to that held by the instrument. Second function 2 may be used for this. Also check the 'INT REQ' line on AD1. This should change from 'LO' to 'HI' temporarily when the instrument is addressed.

60. If the instrument acknowledges the presence of the board AD1, and it is possible to change the address, it is likely that IC2 is serviceable.

61. To check that data is transferred from the GPIB cable to IC2 use a logic probe to check that all data lines toggle when different data is sent over the bus. IC2 pin 26 will be 'low' whilst waiting for data.

MANUAL LATCH SETTING (Use of 2nd function 3)

62. This unprotected second function control allows you to enter data to any specified latch directly (with the exception of the LCDs on keyboard A1 which has an alternative second function control of its own). The data will remain valid until the manual latch addressing mode is terminated by pressing one of the main function keys. Then all normal latch data will be reinstated. See also Chap. 4 'Second function operations' for further details of 2ND FUNCT 3. Each latch is identified on the circuit diagram with an address number e.g. [03], [05] etc. See Table 5-11 for details of all available address numbers and latch descriptions. Two formats must be considered: 6-bit data and 8-bit data.

Data entry (6 and 8-bit)

63. **6-bit data.** Having determined from the circuit diagram that the latch of interest to be addressed has 6 bits, data in the form of ones or zeros should be entered until six segments of the frequency display are occupied. To do this select 2ND FUNCT '3' then, using the keyboard controls, select the required address. Data presented on the frequency display will be that which is addressed to the latch at the present time.

64. The required data can now be entered (until six segments of the frequency display are occupied). This is entered from the right and the most significant bit is displayed on the left,

i.e. D₅ D₄ D₃ D₂ D₁ D₀

Pressing the 'STORE' key will cause the data to be set into the appropriate latch; all five decimal points will be displayed briefly to indicate that the data has been accepted.

Note ...

If a read only latch has been selected by mistake Error 13 'Latch write error' will be displayed.

65. **8-bit data.** To enter data in this format each bit is assigned a binary weighting according to its position. The sum of all eight bits is taken and entered. Procedure for entering data is as described in the previous paragraph and pressing the 'STORE' key causes the latch to be set.

66. **Data entry.** 'RF level calibration' and 'RF level' require 12 bits, so a high byte and a low byte must be entered. (Only the 4 lower bits of the high byte are significant).

- 6-bit addresses 00, 02-06, 33-37 inclusive
- 8-bit addresses 07-30, 01 inclusive
- Read addresses 02, 03, 25-32 inclusive
- Write addresses 00, 01, 04-24, 33-37 inclusive

8-bit data is entered in decimal notation, whilst 6-bit is in binary

e.g.	D ₀	1		D ₇	D ₆	D ₅	D ₄	D ₃	D ₂	D ₁	D ₀
	D ₁	2		1	0	0	1	1	0	1	1
	D ₂	4		128 + 0 + 0 + 16 + 8 + 0 + 2 + 1							
	D ₃	8									
	D ₄	16		Enter 155							
	D ₅	32									
	D ₆	64									
	D ₇	128									

67. The LED latch, IC4 on A1 board, may be conveniently used to illustrate the procedure. The latch address is [01], therefore key in the following:-

2ND FUNCT, 3,0,1,1,6,9, STORE	D ₇	D ₆	D ₅	D ₄	D ₃	D ₂	D ₁	D ₀
	1	0	1	0	1	0	0	1
	128 + 0 + 32 + 0 + 8 + 0 + 0 + 1							

The following LEDs will then be lit

D₇ 2ND FUNCT
 D₅ AM
 D₃ CARR FREQ
 D₀ Δ

68. **Second function 3 application.** The facility is an invaluable aid when you wish to assess latch serviceability and/or its data outputs. Connect a storage oscilloscope whose trigger input is connected to the address line and monitor the data lines as they reach first the latch inputs, and then the latch outputs. This will show if the latch is operating correctly.

Notes ...

- (1) A separate second function control (Second function 6) is available to check the LCD when required, therefore A1, IC1, IC2 cannot be written manually.
- (2) Writing arbitrary data to A1, address [00] could lock out the operator. Users with GPIB control however can write to the latch without hindrance.
- (3) Writing arbitrary data to addresses [01] - [05] (GPIB write registers) may affect GPIB operation if in use. It is therefore preferable to carry out this operation from the keyboard.

TABLE 5-22 2022C LATCH ADDRESSES

2ND FUNCT 3 Address No.	Latch description	Location		Circuit diagram reference	
		IC No.	Board		
00	Keyboard row set	3	A1	7-3	
01	Front panel LED driver	4	A1	7-3	
02	READ keyboard column	5	A1	7-3	
03	READ interrupts	13	A2/1	7-4	
04	Select modulation function	11	A2/1	7-4	
05	Attenuator pads	22	A2/1	7-4	
06	RF range	25	A2/1	7-4	
07	Fine modulation	19A	A2/1	7-4	
08	Coarse modulation	19B	A2/1	7-4	
09	LF FM extension	20A	A2/1	7-4	
10	FM tracking	20B	A2/1	7-4	
11	Jitter correction	27A	A2/1	7-4	
12	Voltage tuned filters	27B	A2/1	7-4	
13	RF level calibration low byte	24A	A2/1	7-4	
14	RF level calibration high nibble	24A	A2/1	7-4	
15	RF level low byte	24B	A2/1	7-4	
16	RF level high nibble	24B	A2/1	7-4	
17	GPIB register WRITE	0	2	AD0	7-10
18		1			
19		2			
20		3			
21		4			
22		5			
23		6			
24		7			
25	GPIB register READ	0		AD0	7-10
26		1			
27		2			
28		3			
29		4			
30		5			
31		6			
32		7			
33	10 Hz positive increments	23	AA1	7-6	
34	640 Hz positive increments	24	AA1	7-6	
35	Mod. control and -2.56 MHz increments	19	AA1	7-6	
36	10.24 MHz positive increments	13	AA1	7-6	
37	40 kHz negative increments	3	AA1	7-6	

FAULT FINDING TO COMPONENT LEVEL

69. Assuming that the fault finding tables have been used to localize a fault, it is likely that the general location will be known. This section therefore gives guidance to allow individual component failures to be located. Information on each of the boards is given as follows:-

70. A1 Display and keyboard

Keyboard - Row set latch, column read buffer
 LED displays - Driver latch
 LCD - Voltage references, LCD drivers, Latch addresses.

71. A2/1 Power supply and control

Power supplies - +5 V, +12 V, -12 V, +24 V
 Modulation - ALC, mod. control, RF level/square law correction
 Serial - parallel conversion
 Interrupt control
 Filter tuning drive
 Jitter correction drive
 Attenuation drive and reverse power sensing
 Latch addresses, A2/1.

72. AA1 Synthesizer

160 MHz loop
 Internal/External standard locking
 Internal mod. source - Divider and filter
 Synthesizer frequency errors
 250 - 500 MHz loop - Four modulus divider, presettable divider,
 fractional N and correction
 40 kHz Phase detector and error amplifier
 Phase modulator.

73. AA2 Microprocessor

+21 V EAROM supply
 Parallel-serial conversion
 Synthesizer drive latches
 Clock divider

Microprocessor system.

74. AB1/1 RF processing board

160 MHz oscillator
 160 MHz modulator
 BFO mixer
 BFO output amplifier and levelling loop
 250-500 MHz oscillators
 Signal dividers (two stage)
 Mixer driver/doubler drive and levelling loop
 Signal doubler and band-pass filter
 62.5-1000 MHz output amplifier and levelling loop
 Control logic states.

Display and keyboard (A1)

75. **Row latch IC3.** A positive-going transition on IC3, pin 9 will cause data present on inputs D0–D5 to be transferred to outputs Q0–Q5. Outputs will normally be logic ‘low’. Use second function 3 and a storage oscilloscope to monitor the operation.

76. **Column read buffer IC5.** When a key is pressed the output of that particular column line will go to logic ‘high’ for approximately 1.5 ms every 6 ms. The column input should remain ‘low’ for the duration of the key press after the initial key search is complete.

77. **LCD reference voltages and driver waveforms.** LCD reference voltages are generated by TR1 and should be as follows :

TR1 collector +0.8 V R6,R7 junction +2.9V	}	All LCD segments may appear on if these voltages are low
--	---	---

The LCD driver waveforms, a nominal 130 – 150 kHz square wave, can be checked on the lower end of R8. Once display initializing is complete the reset line should be set at logic ‘high’. Short circuiting this line to earth will blank the display.

112. Backplane drive waveforms can be conveniently checked with reference to Fig. 5–16. The amplitude of the backplane segment waveform is determined by the setting of R2 ‘SET LCD OFF VOLTAGE’. The period of the square waves should be either 12.5 or 25 ms and the combination of their frequency and phase with respect to the backplane determines the state of the display. See Chapter 4, Technical Description, for further details.

Note ...

The sequence of data that has to be sent to IC1, IC2 is quite complex, therefore it is not practicable to drive the board from other than the instrument’s own micro-processor and control circuit.

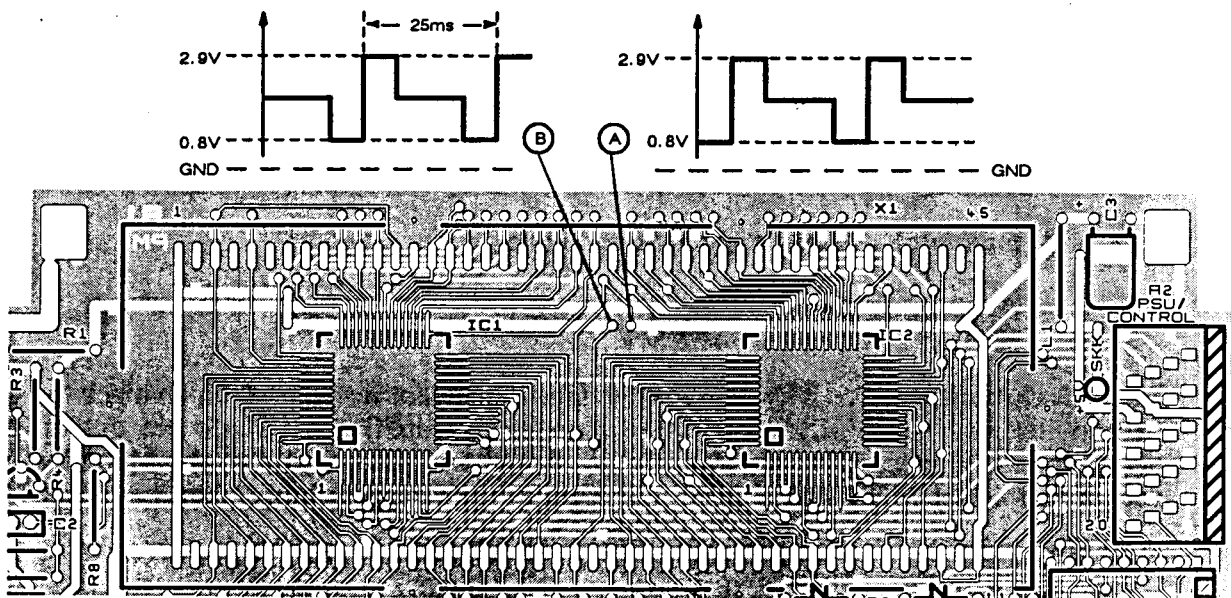


Fig. 5-16 Backplane drive waveforms and test locations

79. Should there be intermittent contacts, segments of the display will sometimes disappear. If this happens remove the bezel and display, then carefully clean the tin oxide fingers on the LCD and also the solder fingers on the PCB. Avoid handling the LCD connections and ensure that no solvents come into contact with the polarizer on the front of the display.

80. Display and keyboard latch address data. The control data for A1 is shown in Table 5-23.

TABLE 5-23 DISPLAY AND KEYBOARD LATCH ADDRESS DATA

Address Number	Description	D ₀	D ₁	D ₂	D ₃	D ₄	D ₅	D ₆	D ₇
00 IC3	Keyboard Row setting	Δ, AM, 8, 3, INT/EXT, RETURN	STORE, RF LEVEL, 5, -, +, MOD ON-OFF	RECALL, 7, 2, MHz, V, TOTAL Δ	MOD ALC, 4, ., kHz, mV, +	CARR FREQ, 1, 9, Hz, μV, 2ND FUNCT	FM, FM, 0, 6, % rad dB, CARR ON-OFF,	X	X
	Outputs	Pin 2	Pin 5	Pin 7	Pin 10	Pin 12	Pin 15		
01 IC4	LED driver	Δ	RECALL	MOD ALC	CARR FREQ	FM/FM	AM	RF LEVEL	2ND FUNCT
	Outputs	Pin 2	Pin 5	Pin 6	Pin 9	Pin 12	Pin 15	Pin 16	Pin 19
02 IC5	Column Read								
	Outputs	Pin 3	Pin 5	Pin 7	Pin 9	Pin 11	Pin 13	X	X

Power supplies, Modulation control and Data conversion (A2/1)

81. Check that the following supplies are present :

+5 V supply - Requires ±12 V supplies to operate

- Collector A0T1 - 10 - 11 V (with no loads)
- IC3 pin 7 - +11.5 V
- IC3 pin 1 - +6.25 V (with no loads)
- R12,R13 junction - +5 V

±12 V supplies - These have an internal reference of approximately 1.25 V which can be measured between the ADJ and V OUT pins.

- C9 +ve - +10.75 V
- C7 -ve - -10.75 V

+24 V supply - Uses a capacitive doubler

- C6 +ve - +50 V
- C8 +ve - +22.8 V

82. **Modulation ALC.** TR7 acts as a voltage dependent resistor which changes the gain of non-inverting stage IC15a. IC15b is an error amplifier. IC18a,b are out of limit comparators. Select 99.9 kHz FM, EXT. Apply 1 V RMS, 1 kHz to the MOD IN/OUT socket and select MOD ALC, OFF. The following voltages should then be checked :

- IC15a pin 5 - 2.8 V p-p
- IC15a pin 7 - 10 V p-p
- D14 cathode - +4.2 V
- IC15 pin 8 - -6 V
- IC18 pin 7 - -2.4 V
- TR7 drain - 0.56 p-p

Select MOD ALC ON and, using a 10 MΩ probe, check at D14 cathode for 20 mV p-p ripple at 1 kHz. IC15 pin 8, typically -3.5 V, will vary depending on the performance of TR7. When voltage goes negative, the stage gain of IC15a reduces.

83. **Modulation control path.** Three dual, digital-to-analogue converters are used here, IC19, IC20 and IC24. Select CARR FREQ, 200 MHz, FM INT, 99.9 kHz. Using 2ND FUNCT 3 enter 200 into latch address 10 and check the following voltages.

IC15 pin 1	-	7.8 V p-p
IC15 pin 14	-	3.7 V p-p
IC16 pin 8	-	6.6 V p-p
IC17 pin 7	-	4.5 V p-p
IC17 pin 1	-	190 mV p-p
IC21 pin 1	-	5.3 V p-p (short circuit pin 3 to ground)

Using 2ND FUNCT 3 again, enter 1000001 into latch address 04. This brings IC16a differentiator into circuit. The voltage at IC16a pin 8 should not change but there may be high frequency noise on the signal. This will confirm the correct operation of the angle modulation path.

84. **RF level/AM signal path.** With no modulation selected, set latch address 13 to 100 and latch 15 to 200, then check the following voltages :

IC16 pin 7	-	+1.6 V
IC21 pin 7	-	0 V
IC16 pin 14	-	-0.87 V
IC16 pin 1	-	+1.91 V
IC27 pin 13	-	+1.24 V
IC27 pin 10	-	+1.13 V

The voltage on PLM pin 3 is that derived on IC27 pin 10, divided down by R91/R92, and assumes that AB1/1 is not connected. If it is, then a further drop in voltage can be expected due to the additional loading. Set latch 14 to 10 and check that IC16 pin 1 is +0.625 V and IC27 pin 10 is +40 mV.

85. If the square law correction circuit around IC27 is operating, set latch 13 to 10. The voltage at IC27 pin 10 will be less than 1/20th of the reading than with the latch set to 200, as shown in Fig. 5-17.

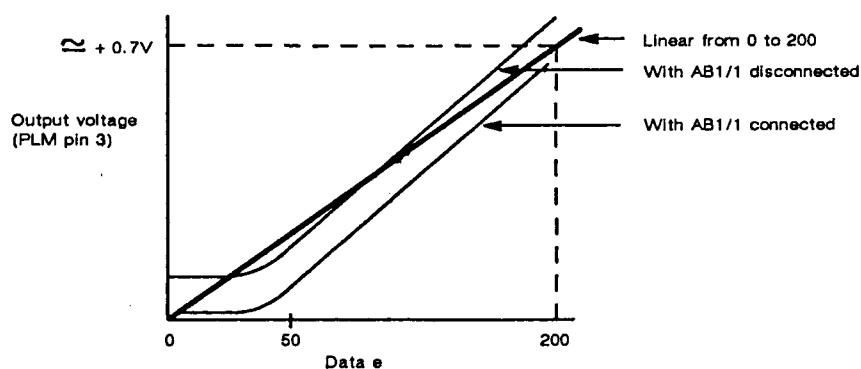


Fig. 5-17 Effect of square-law correction circuit A2/1

86. Select CARR FREQ 10 MHz, INT MOD 80%, RF LEVEL 0 dBm. Enter 200 into latch address 07 and check the following AC voltages.

IC14 pin 4	-	4.8 V p-p
IC16 pin 7	-	2.4 V p-p
IC21 pin 7	-	10.8 V p-p
IC16 pin 14	-	1.3 V p-p
IC27 pin 10	-	1.6 V p-p

If the waveform at PLM pin 3 is seen to be distorted when applying higher percentages of AM at a level of -10 dBm, this effectively confirms the operation of the square law correction circuit and is quite normal.

87. **Serial to parallel conversion.** Description of the data format and how it is transmitted over the serial bus is described in Chapter 4, Technical Description. However it may not be practicable to monitor the data flow directly unless a fast storage system is available.

88. The most convenient way to check individual shift registers is to look for changes of state on the outputs corresponding to data being clocked in and strobed. Since any key press will require the interrogation of the keyboard by AA2 microprocessor, it should be apparent that activity exists. IC5, IC7 and IC9 control the serial to parallel conversion while IC10 decodes 4 address lines to provide chip enables for individual latches. The outputs of this are normally logic 'high' level.

89. When any key is pressed a 10 μ s pulse should be seen on IC4c. When function keys are pressed, pulses should also be seen on IC6 pin 3 and IC8 pin 3.

90. **Interrupt control.** Pressing a key should cause an interrupt on the RST 7.5 INTERRUPT line of AA2 PLAC pin 3 and also the following activity on A2/1.

IC6 pin 12	-	Normally 'high' going 'low' for the duration of the key press.
IC6 pin 11	-	(AND gate) goes 'low'
IC12 pin 11	-	Goes 'high'.

The remainder of IC12 is used to control the routing for other interrupts. Pins 1 and 2 are normally 'high', pin 1 going 'low' if EXT MOD, ALC ON is selected but with no modulation source applied. IC12 pin 3 then goes 'high' and pin 4 'low', pin 6 should also have been set to 'high' via IC11 pin 10. The RPP TRIPPED line should be 'high' allowing IC12 pin 10 to go 'high'. This is inverted and fed to IC12 pin 13.

91. **Filter tuning drive.** IC23B controls the DC level on TR13 collector. Enter data into latch address 12. Output voltage should increase linearly with data magnitude and reach +23 V at least (possibly before the maximum data point 255 is reached).

92. **Jitter correction voltage.** The voltage on IC17 pin 8 should vary inversely with frequency. Set CARR FREQ 250 MHz and check the voltage at IC17 pin 8, which should read approximately -4 V. The voltage should decrease in magnitude as the carrier frequency is decreased until at 499 MHz the voltage is approximately -2 V.

93. **Attenuator drive and Reverse power sensing.** The following checks may be carried out with the attenuator unit out of circuit. IC22 outputs should go 'low' (<1 V) providing the base current for transistors TR8 - TR1 and the collectors should rise to almost the supply rail (+5 V). IC18c and IC18d compare the voltages on pins 10 and 13 with those on pin 9 (+40 mV) and pin 12 (-40 mV). Outputs will normally be low (-10.5 V). Application of a voltage above or below ± 40 mV should turn TR16 off and the voltage on R103 should then fall from virtually +5 V to 0 V.

Power supply/Control latch address data

94. The control data for A2/1 is shown in the table below.

TABLE 5-24 POWER SUPPLY/CONTROL LATCH ADDRESS DATA

Address Number	Description	D ₀	D ₁	D ₂	D ₃	D ₄	D ₅	D ₆	D ₇
03 IC13	<u>Interrupt READ</u>	MOD LEVEL LOW	MOD LEVEL HIGH	RPP	KEYBOARD	GPIB	CHECK IC11 PIN 10	X	X
	Outputs	Pin 3	Pin 5	Pin 7	Pin 9	Pin 1	Pin 13		
04 IC11	<u>Function setting</u>	INT MOD	AM ON	MOD ALC OFF	INTERRUPT ENABLE	FH >10 kHz	ΦM ON	X	X
	Outputs	Pin 2	Pin 5	Pin 7	Pin 10	Pin 12	Pin 15		
Address Number	Description	D ₀	D ₁	D ₂	D ₃	D ₄	D ₅	D ₆	D ₇
05 IC22	<u>Attenuator Drive</u>						RPP RESET		
	0 dB	1	1	1	1	1			
	10 dB	1	1	1	0	1			
	20 dB	1	0	1	1	1			
	30 dB	1	1	1	1	1			
	40 dB	1	1	1	1	0			
	50 dB	1	0	1	1	1			
	60 dB	0	1	1	1	1			
	70 dB	0	1	1	1	0			
	80 dB	0	0	1	1	1			
	90 dB	0	1	0	1	1			
	100 dB	0	1	0	0	0			
110 dB	0	0	0	0	1			X	
120 dB	0	0	0	0	0				
	Outputs	Pin 2	Pin 5	Pin 7	Pin 10	Pin 12	Pin 15		

TABLE 5-24 POWER SUPPLY/CONTROL LATCH ADDRESS DATA (continued)

06 IC25	RF control, and LCD reset					LCD RESET	X	X	X
	10 kHz-16.5 MHz	0	1	1	0				
	16.5-62.5 MHz	0	1	1	1				
	62.5-88.25 MHz	0	0	0	0	A "HIGH"			
	88.25-125 MHz	0	0	0	1	LEVEL			
	125-176.5 MHz	1	0	0	0	WILL			
	176.5-250 MHz	1	0	0	1	BLANK			
	250-353 MHz	1	1	0	0	THE			
	353-500 MHz	1	1	0	1	DISPLAY			
	500-706 MHz	0	1	0	0				
706-1000 MHz	0	1	0	1					
Outputs		Pin 2	Pin 5	Pin 7	Pin 10	Pin 12			
07 IC19(A)	Modulation level control AM	Is loaded with a calibration value of data							
	FM Deviation 0 - 249 250 - 499 500 - 999	A number proportional to the peak deviation requested is entered Deviation Deviation +2 Deviation +5							
08 IC19(B)	Modulation level control AM FM deviation	Is loaded with a number equal to twice the depth requested (to the nearest 0.5%) Deviation (0 - 999) - setting of 07 latch							
		0 - 249			250 - 499		500 - 999		
	10 kHz-62.5 MHz	6			12		30		
	62.5-125 MHz	12			24		60		
	125-250 MHz	24			48		120		
	250-500 MHz	48			96		240		
	500-1000 MHz	24			48		120		
09 IC20(A)	LF FM extension	Loaded with the eight most significant bits of the synthesizer frequency (when expressed as a binary number).							
10 IC20(B)	FM calibration	Loaded with calibration data that is used to track the FM sensitivity curves of the oscillators. See Table 15.							
11 IC27(B)	Jitter correction	Loaded with the eight most significant bits of the synthesizer frequency (when expressed as a binary number).							
12 IC27(B)	Filter tracking	Loaded with data interpolated from calibration points to tune the band- pass filter and notch filter. Data ranges typically from 60 to 250.							
IC28(A)	RF level calibration	Entered with data interpolated from calibration points across the band, for a given frequency the value entered is multiplied by $\sqrt{10}$ when the output level is above +3 dBm.							
13 14									
IC28(B)	RF level	A number proportional to RF level is entered.							
15 16									

Frequency synthesizer and internal modulation source (AA1)

95. **160 MHz loop.** Check that a 160 MHz signal is present at the junction of R2/C1. A signal within the range -20 dBm to 0 dBm should be sufficient to ensure correct divider operation, a greater or lesser signal will be likely to produce a fault condition. Expected voltages of this stage and the timing sequence of signals are given below. Figure 5-18 shows idealized timing waveforms around IC6. In practice delays are only those of TTL gates and the narrower pulses will not be seen to actually reach 0 V or +5 V.

- IC6 pin 3 (10 MHz) - 3 V p-p or greater, an approximate square wave
- IC6 pin 11 (10 MHz) - From internal standard, 3 V p-p or greater
- IC6 pin 5 (10 MHz) - Negative-going pulses from TTL 'high'
- IC6 pin 8 (10 MHz) - Positive-going pulses from TTL 'low'
- TR1,TR2 collectors - nominally +12 V

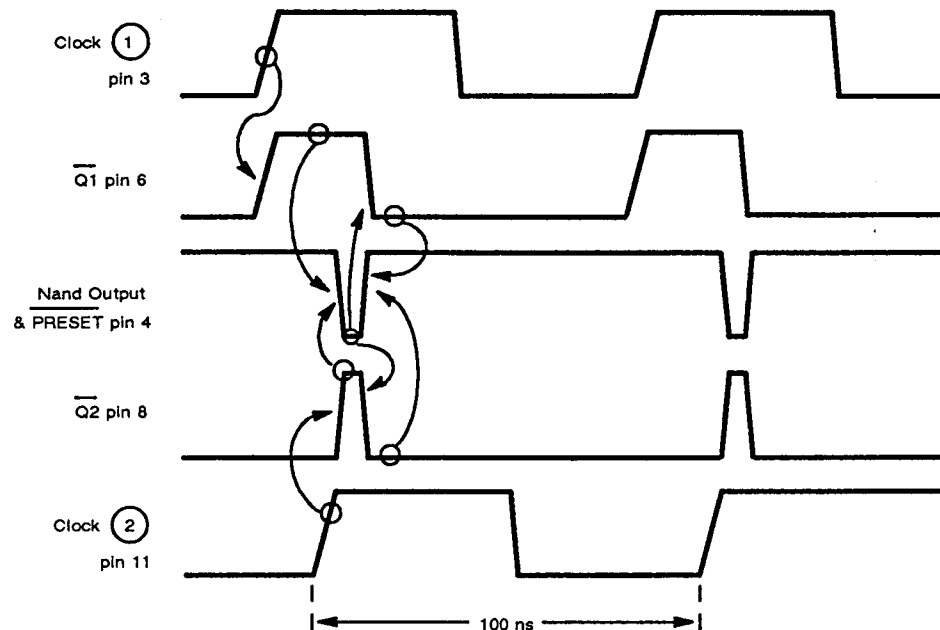


Fig. 5-18 160 MHz phase detector IC6, timing signals

96. **Internal/External frequency standard.** Apply an external frequency standard of 1,5 or 10 MHz. Ensure that the internal link from IC8 to IC7 is set for the frequency standard in use. Select 2022C to CARR FREQ, EXT and check the following:-

- IC34 pin 3 - Squarewave, equal to the frequency standard
- IC12 pin 1 - +10 V; indicates that the amplitude of the external standard is sufficient
Error No. 11 should show on the display if this voltage is low
- IC2 pin 3 - Inverted version of IC34 pin 3 waveform.

97. Waveforms similar to those shown in Fig. 5-19 should be seen in the proximity of IC7. The voltage present on TR3, TR4 collectors will depend on the difference between the internal and external frequency standards.

- IC12 pins 7,8 - -10 V
- IC12 pin 6 - +10 V
- IC12 pin 10 - +0.9 V

If an error is detected by the microprocessor, AA2, it will continually select and deselect the external standard. IC2, pin 2, therefore will be continually taken 'high' and 'low' with a repetition time of approximately 250 ms.

98. **Internal modulation source; divider and filter.** Select AM, INT, MOD ON, from the front panel and check for the following :

- IC14 pin 14 - TTL 'low'
- IC14 pin 12 - 10 kHz square wave
- IC14 pin 13 - 1 kHz square wave
- IC21 pin 1 - 1 kHz square wave with rounded leading and trailing edges
- IC21 pin 7 - 1 kHz sinewave level variable between 0.85 V and 1.6 V p-p varied by R43 setting

99. **Synthesizer frequency errors (AA1).** If a frequency error has been traced to AA1 board then the information following should enable the fault to be identified. Frequencies selected for testing should be restricted to the fundamental octave of the synthesizer (250 - 500 MHz).

100. **Frequency errors less than 40 kHz.** Errors in this range are likely to be caused by a fault in the 'Fractional N' system. Check the following :

- IC23 - 12-bit data latch
- IC24 - " " "
- IC25 - 12-bit adder
- IC26 - " "
- IC27 - " "
- IC29 - 8-bit adder. Sums 8 most significant bits of IC25-27
- IC30 - with 9610 (to cause accumulator to overflow at 400010)
- IC31 - 12-bit latch
- IC32 - " "
- IC33 - Digital-to-analogue converter operating with 8 most significant bits of the accumulator output
- TR9/10 - Voltage controlled delay 2-4 ns.

101. Set the CARR FREQ to 250 MHz and using the Δ facility increment the frequency by 10 Hz. Bit D₀ of IC23 will be set and the accumulator formed by IC23-27, IC29-32, will continually count up to 4000₁₀ and then reset. The repetition rate will be 10 Hz with one 10 Hz increment applied.

- IC33 pin 5 - -4 V DC. Varies inversely with carrier frequencies between 250-500 MHz.
- IC12 pin 14 - Staircase waveform comprising 256 steps with a 100 ms period, 4 V p-p amplitude, giving the appearance of a positive-going ramp.
- IC32 pin 9 - TTL waveform, normally logic 'high', going low to IC31 pin 9 reset counters etc. very briefly.
- TR9 base - Narrow negative-going pulses with a 25 μ s period.
- TR9 collector - Narrow positive-going pulses with a 25 μ s period.
- Positive $\frac{dV}{dt}$ approximately 5 V in 100 ns. The loading of an oscilloscope probe will affect this slightly.
- TR10 collector - Short positive-going pulses with a 25 μ s period.

102. Waveforms at key locations within the synthesizer can be seen using the Q output of IC11b to synchronize the oscilloscope.

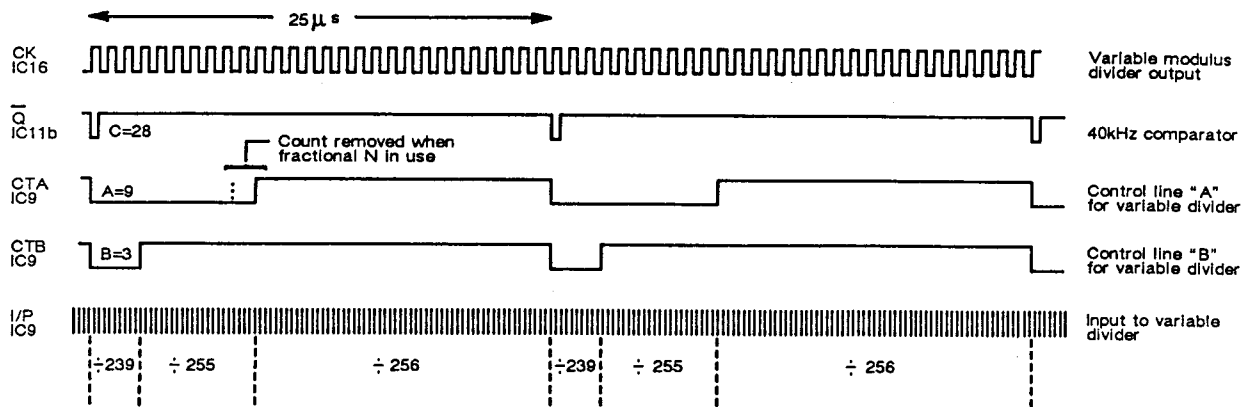


Fig. 5-19 Synthesizer drive and control waveforms

The following example shows how the synthesized frequency (fractional N component, <40 kHz steps, excluded) is derived

$$\begin{aligned}
 F_s &= (239 \times 3 + 255 \times 7 + 256 \times 18) \times 40 \text{ kHz} \\
 &= 284.4 \text{ MHz}
 \end{aligned}$$

Note ...

The frequency of the clock waveform to IC16 will change as the division ratio changes.

103. Frequency errors between 40 kHz and 10.24 MHz. The most likely cause of faults in this area is the four modulus divider. The following devices should be checked

- IC9 - 4 modulus divider and inverter.
- IC10c - " " " "
- IC3 - 8-bit data latch. Only the two least significant bits are used from IC19. Binary multiples of 40 kHz.
- IC19
- IC4 - 4-bit down counters. These control the length of time
- IC5 - IC9 divides by a particular number.
- IC10a,b - Allows modification of division ratio; enables the
- IC11a - introduction of the fractional N component

104. Select CARR FREQ, 327.67999 MHz and using Δ facility, decrement by 10 Hz. IC9 should then be dividing by 256 for most of the time (every 100 ms it will divide by 255). Check also IC10 pin 8 for a square wave with a frequency of 1.28 MHz. Voltage swing should satisfy normal TTL requirements.

105. At frequencies other than multiples of 10.24 MHz (with a negative offset of less than 40 kHz), dividers, IC4 and IC5 will be active. If these malfunction it is possible that the loop will not respond fast enough to give a stable output from IC10. To overcome this introduce each one separately :

Set CARR FREQ to 327.60 MHz
 IC4 pin 12 - 25 μ s repetition rate. Mark space ratio 31:1
 IC10 pin 6 - 25 μ s period. Mark space ratio 30:2

As further 40 kHz decrements are introduced the voltage will remain 'low' for one more $\frac{25}{32}$ μ s period in both cases

Set CARR FREQ to 327 MHz
 IC5 pin 12 - 25 μ s repetition rate. Mark space ratio 31:1

Now as additional frequency decrements of 640 kHz are introduced, the waveform should remain 'low' for additional $\frac{25}{32}$ μ s periods.

Note ...

A ripple with a frequency of 1.28 MHz may be seen on the waveforms. Providing the magnitude of this does not affect the TTL 'high' or 'low' levels this is not significant and can be ignored.

106. **Frequency errors of 10.24 MHz or greater.** Frequency errors caused by AB1/1 board are considered to have been dismissed as a possibility which then limits the fault to dividers IC16, IC17 and their associated components.

IC13		6-bit data latch. Data is in the form of 10.24 MHz multiples.
IC16	}	Connected as a presettable counter. Normal range of division ratios is 25 to 49.
IC17		
IC11b		
IC15b		Combines the fraction N overflow signal with the output of the final divider.

107. **Set CARR FREQ, 327.64 MHz.** IC16 will route the clock signal through unchanged whilst IC17 will divide by two. Monitor IC16 pins 11 and 12 using pin 11 to synchronize the oscilloscope. A positive-going pulse of approximately 0.78 μ s duration should be seen on pin 12. As increments of 10.24 MHz are entered a wider pulse should be seen, this will be delayed by one more clock period each time. Eventually the division ratio of IC17 will increase to three and IC16 pin 12 will go 'high' immediately after the parallel load command on pin 11. There will now be three longer duration pulses on pin 12 in every phase comparator cycle (25 μ s).

108. If a frequency counter with a ratiometric function is available it should be connected to IC16 pin 14 (frequency should be in the range 1-2 MHz) and IC11 pin 8 (40 kHz). Second function 3 should be used to change the division ratio by altering the contents of latch 34. Check that the value from the counter coincides with the decimal equivalent of the data in the latch.

Note ...

The oscillators must be switched over in order to cover the full octave of 250-500 MHz.

i.e.	Latch data	Set carrier frequency
	011001 – 100010	317.4 MHz
	100011 – 110000	471 MHz

109. 40 kHz Phase comparator and loop filter. Check the phase comparator IC22 and its associated circuit,

- IC22 pin 3 - 40 kHz TTL signal. Mark space ratio 2:3
- IC22 pin 11 - 40 kHz TTL signal. Mark space ratio \approx 1:50 dependent on the synthesizer frequency
- TR7,8 bases - +2.5 V
- TR7,8 collectors - +2.5 V
- TR7,8 emitters - Very narrow negative and positive-going pulses respectively

Timing waveforms can be seen in Fig. 5-18.

The voltage on IC28 pin 6 will vary, typically between +2.5 V and +16 V as the carrier frequency is changed from between 250 – 352 MHz and 353 – 499 MHz.

110. Phase comparator. Carry out the following checks :

- IC14a pin 7 - 40 kHz TTL signal. Mark space ratio 1:4
- TR5 emitter - +12.7 V
- TR6 emitter - -9 V
- TR5,6 collectors - Positive-going ramp -9 V to +12.7 V. Repetition rate 25 μ s. Slew rate 1.2 V/ μ s

Connect an oscilloscope probe to the junction of R42/IC18 pin 7 and temporarily connect a wire between PLT, pin 10 to a supply of +12 V and -12 V. Check that when +12 V is applied the rising edge of the displayed 40 kHz square wave moves to the right (retards) and has a TTL 'low' level output. Replace the +12 V supply with -12 V and check that the displayed waveform rising edge moves to the left (advances) and that the signal now has a TTL 'high' level output.

111. Frequency synthesizer latch address data. The control data for AA1 is shown in Table 5-25.

TABLE 5-25 FREQUENCY SYNTHESIZER LATCH ADDRESS DATA

Address number	Description	D ₀	D ₁	D ₂	D ₃	D ₄	D ₅	D ₆	D ₇
33 IC23	10 Hz positive frequency increments	10 Hz	20 Hz	40 Hz	80 Hz	160 Hz	320 Hz	X	X
34 IC24	640 Hz positive frequency increments	640 Hz	1.28 kHz	2.56 kHz	5.12 kHz	10.24 kHz	20.48 kHz	X	X
35 IC19	2 bits of 2.56 MHz negative frequency increment. Control of phase modulator and external std.	-2.56 MHz	-5.12 MHz	EXT. STD. ON	LF FM ON	LF FM OFF	1 kHz ON	X	X
36 IC13	10.24 MHz positive frequency increments	10.24 MHz	20.45 MHz	40.96 MHz	81.92 MHz	163.84 MHz	327.68 MHz	X	X
37 IC3	40 kHz negative frequency increments	-40 kHz	-80 kHz	-160 kHz	-320 kHz	-640 kHz	-1.28 MHz	X	X

Microprocessor (AA2)

112. **+21 V EAROM supply rail.** Check that the following voltages are present.

- D2 cathode - +6.2% ±5%
- TP2 - +4.5 V
- IC1 pin 7 - +1.2 V ±0.5 V
- IC1 pin 1 - +8 V
- IC1 pin 3 - +4.5 V
- TR1 collector - +21 V

113. **Parallel to serial converter.** If the instrument responds to key presses it is likely that the microprocessor is serviceable. If key presses do not give the correct response, monitor the following points in the 'static' condition using an oscilloscope and probe (that is with no keys pressed or GPIB commands occurring).

- IC11 pins 1,9,10,11 - Should be TTL 'high' level for most of the time.
- IC2 pins 3,6,8,11 - Normally 'high'.
- IC13 pins 3,6,11 - Complex data activity
- IC14 pins 2,7,10,11 - Normally 'low'

114. **Synthesizer drive latches.** Check IC15 address latch, first select CARR FREQ 327.6 MHz followed by frequency increments given in the table below; monitor in each case IC15 outputs Q0 to Q4, as indicated using a logic probe.

TABLE 5-26 SYNTHESIZER FREQUENCY ADDRESS DECODER OUTPUTS

IC15 pin No.	10Hz	Size of frequency step			
		640Hz	40kHz	2.56MHz	10.4MHz
2		X	X	X	X
5	X		X	X	X
7	X	X	X		X
10	X	X	X	X	
12	X	X		X	X

Note ...

Logic probe will normally be lit then temporarily turned off.

115. Check IC16 data latch; first select CARR FREQ 327.6 MHz followed by a 10 Hz frequency increment. Keeping the UP key ↑ pressed monitor the output lines of IC16 using a logic probe. Check the sequences shown for each pin no. in Table 5-27.

TABLE 5-27 DATA LATCH INCREMENT SEQUENCE

IC16 pin No.	Transitory sequence
2	One 'flash' on the logic probe per increment
5	Flashes for two increments, then off for two increments
7	Flashes for four increments, then off for four increments
10	Flashes for eight increments, then off for eight increments
12	Flashes for sixteen increments, then off for sixteen increments
15	Flashes for thirty two increments, then off for thirty two increments

116. **Clock divider.** Check that the following waveforms are present.

- IC17 pin 1 - 2.5 MHz square wave
- IC17 pin 6 - 156.25 kHz square wave
- IC17 pin 8 - 9.765 2/3 kHz square wave

Other lines only change at approximately 15 minute intervals although IC18 can be checked for basic operation.

IC18 pin 7 - \approx 600 Hz square wave

117. **Microprocessor system.** Check that a 5 MHz square wave is present at IC2 pin 1. Also check that IC2 pin 36 logic level is normally 'high' and IC2 pin 7 normally 'low'. Complex waveforms on all the address and data lines may be expected, especially at power on. Suspect any lines that do not change state at all. Similarly, the decoded address lines feeding IC5 - IC10 should toggle at power on (and if it is responding to key presses, then during keyboard interrogation also).

RF processing board (AB1/1)

118. **160 MHz oscillator.** If a 500 Ω oscilloscope probe connected across R6 gives no indication of a 160 MHz waveform (carrier frequency must be set to below 62.5 MHz), then the metal box covering the three voltage controlled oscillators must be dismantled. Care should be taken to ensure that the mating surfaces are kept clean and in particular are kept free of solder splashes on the nickel plated mating areas of the PCB.

119. First check that the DC conditions on TR1 and D1 are correct then check IC1 and IC2 voltages also.

TR1 drain/R2 junction	- +8.4 V
TR1 source	- +1.6 V
D1 cathode	- +15.6 V (+12 V with box lid on)

Check C3,C4,C7 serviceability

IC1 pin 1	- +0.85 V \pm 0.1 V
IC1 pin 5	- +6.5 V \pm 0.5 V

Similar voltages should be present on IC2

120. **160 MHz modulator and level control.** Check that with a 500 Ω oscilloscope probe connected across R6 the level is approximately -22 dBm. Also check that, with no modulation applied, the voltage at the junction of R10/R11 is a nominal 0 V and TR3 emitter voltage is +0.6 V. Set RF LEVEL, -11 dBm, CARR FREQ, 10 MHz and check the following voltages :

D3 cathode	- +0.6 V
Junction of D2/D4 cathodes	- -0.63 V
'ALC LF' test point	- typically +7.3 V
Reset RF LEVEL to -7 dBm (do not use increment facility) 'ALC LF' test point	} - typically +7.6 V

121. **BFO mixer.** Set CARR FREQ, 10 MHz, RF LEVEL, -11 dBm. Using a 500 Ω oscilloscope probe check at the points shown below that level, frequency and distortion are in agreement with the figures given.

Across R71: Freq. 170 MHz, Level -17 dBm, Distortion <20 dBc second harmonic
L4 to ground: Freq. 160 MHz, Level -38 dBm, Distortion <35 dBc second harmonic
(Pin 1 of X1)

Across R130: Freq. 10 MHz, Level -49 dBm.

122. **BFO output amplifier and levelling loop.** Set CARR FREQ, 10 MHz, RF LEVEL -11 dBm and check the following :

TR14 base	1 V
TR14 collector	3 V
TR17 base	+2.3 V
TR17 collector	+6.5 V
D33 anode	-0.33 V
D44 cathode	-0.33 V
IC12 pin 7	+7.3 V

123. 250–500 MHz oscillators. Set CARR FREQ, 250 MHz followed by a frequency of 353 MHz. The following voltages should be noted :

	250 MHz	352 MHz
R24	0 V	+5 V
TR5 collector	-12 V	-11.35 V
TR6 collector	-0.55 V	-12 V
TR8 collector	-11.35 V	-12 V
TR9 collector	-12 V	-0.55 V
Voltage drop across R29	-	1.9 V
Voltage drop across R39	1.9 V	-
PLAD, pin 16	+2 V	+2 V

Monitor the signal level across R48 with a 500 Ω probe and check that this is approximately -25 dBm. If one or other of the oscillators fails to operate correctly it will be necessary to remove the metal screen covering the oscillators. As mentioned previously, care must be taken to ensure that all mating surfaces are kept clean to maintain screening efficiency. As before select the two carrier frequencies 250 MHz and 353 MHz and check for the following voltages :

Carrier frequency	250 MHz	353 MHz
TR7 collector	+12 V	+8.25 V
TR10 collector	+8.25 V	+12 V

124. Check for leakage in D5, D6, D7 and the correct operation of each diode junction. Decoupling and phase correction capacitors should also be checked. If functioning correctly each oscillator should oscillate strongly even if capacitive loads (i.e. fingers) are introduced.

Note ...

TR10 is intentionally fitted with markings facing the PCB, replacement items should also be fitted in the same position.

Finally check that the four buffer amplifiers IC7–IC10 have the following voltages present :

IC7–IC10 pin 1	-	+0.85 V ±0.1 V
pin 5	-	+6.5 V ±0.5 V

125. Signal divider (two stage IC11a,b). Set CARR FREQ, 62.5 MHz. Both dividers IC11a and b will now be in operation. Check that the following voltages are present :

IC11 pin 11	-	+3.6 V
IC11 pin 10	-	+3.6 V
IC11 pin 7	-	+3.6 V
Point F	-	+0.2 V (Points A to F are shown in Fig. 7-9)
Point A	-	+0.2 V
D15/18 junction	-	+5.7 V
Point B	-	+7.8 V

A signal of approximately -12 dBm should be seen across R69 using a 500 Ω oscilloscope probe, check also for the following :

D16 anode - +0.95 V
D11 anode - +1.7 V

Note ...

Switching diode bias is drawn through the two low-pass filters LPF "STOP 375 MHz" and LPF "STOP 187.5 MHz". Attempts therefore to measure signal levels should be made with a capacitively coupled probe. Excessive harmonic distortion at the outputs of the divider stage (>-25 dBc of second harmonic across R69, and from the junction C91/R16 and ground) or a raised noise floor indicate a potentially defective divider, particularly if the drive levels have been checked and found to be satisfactory.

126. 250-500 MHz switch. Set CARR FREQ, 250 MHz, which will effectively switch off IC11a,b dividers and cause diode network D8, D9, D10 to re-route the RF signal through to the "STOP 750 MHz" low-pass filter. Check the following :

Point E - +0.1 V
D10 cathode - +2.5 V
D9 anode - +1.6 V

127. Mixer driver/doubler drive and levelling loop. Set CARR FREQ, 500 MHz and check using a 500 Ω oscilloscope probe the signal level across R64. This should be approximately -15 dBm. Also check the following voltages :

R63/C122 junction - +5 V
D21 anode - +3.9 V
ALC doubler voltage - +3.7 V
D22 cathode - +3 V
D24 anode - +3.5 V
IC13 pin 1 - +3.1 V
IC13 pin 8 - +12 V

Note ...

D24 detects the negative peaks of the drive waveform present at IC13 output. Thus the level DC on the anode will decrease as the RF voltage increases. Attach a capacitively coupled 500 Ω probe between the junction of R80/D26 and ground. The power level at this point should be approximately -10 dBm with a second harmonic distortion better than -20 dBc.

128. Signal doubler and band-pass filter. Set CARR FREQ, 500 MHz, and check the following voltages :

D26 cathode - +4.1 V
R90/C103 junction - -0.2 V } Will depend on
D27/D28 or D29/D30 junctions - -0.03 V } RF signal level.
IC3 pin 1 - +0.85 V ±0.1 V
IC3 pin 5 - +6.5 V ±0.5 V

129. The band-pass filter comprising D34, D35 and T6 cannot be adjusted. However a check can be made on the filter tracking. Monitor the voltage and the junction of R27, R107 whilst incrementing the carrier frequency in 100 MHz steps starting from 500 MHz. Compare the results with the values in Table 5-28.

TABLE 5-28 TYPICAL BAND-PASS FILTER TRACKING VOLTAGES/CALIBRATION DATA

Carrier freq.	Filter tuning voltage	EAROM data
500 MHz	5.5 V	60
600 MHz	9.0 V	100
700 MHz	11.5 V	120
800 MHz	14.0 V	150
900 MHz	18.0 V	190
1000 MHz	23.5 V	250

130. Check the voltage drop across R97 and R107, this should be negligible. Also check

- Point D - +0.25 V
- D32 anode - +1 V

131. **62.5-1000 MHz output amplifier and levelling loop.** Set CARR FREQ, 1000 MHz, RF LEVEL, -7 dBm. Check the following voltages :

- D38 cathode - +0.03 V
- D41 cathode - +0.04 V
- TR13 emitter - +11.6 V
- Collector TR19 - +7.8 V
- *Base TR20 - +1.75 V
- Signal level across R93 - -8 dBm
(using capacitively coupled 500 Ω probe)

- D43 cathode - +0.06 V
- Check that D50 is reverse biased

- IC15 pins 2,3 - -0.07 V
- IC15 pin 6 - -0.07 V

132. Couple a 50 Ω external load to the RF OUTPUT socket of the instrument and select the RF levels shown in Table 5-29. Monitor in each case the test points indicated.

TABLE 5-29 62.5-1000 MHz OUTPUT AMPLIFIER DRIVE CONDITIONS

RF level	PLAD pin 3	D43 cathode	ALC HF T./Pt.	TR13 emitter
-7 dBm	0.32 V	+0.07 V	+10.03 V	+11.64 V
0 dBm	0.81 V	+0.57 V	+9.94 V	+11.60 V
+7 dBm	1.91 V	+1.72 V	+9.77 V	+11.52 V
+13 dBm	3.91 V	+3.88 V	+9.22 V	+11.26 V

* **CAUTION:** The output amplifier may be damaged if the base of TR20 is inadvertently shorted to earth. If TR20 is replaced, its heatsink should be tightened to a torque of 0.7 kNm (6.4 lbf in).

133. Control logic states. IC4, IC5 and IC6 are used to control the switching of diodes and dividers as the frequency bands change. Table 5-30 gives the different states used and their associated logic levels.

TABLE 5-30 FREQUENCY BAND SWITCHING, LOGIC LEVELS

Frequency band	PLAD pin 6 A0	PLAD pin 11 A1	PLAD pin 7 A2	'OSC HIGH'	A	B	C	D	E	F	G
10 kHz - 16.5 MHz	0	1	1	0	1	0	1	1	1	0	1
16.5 - 62.5 MHz	0	1	1	1	1	0	1	1	1	0	1
62.5 - 88.25 MHz	0	0	0	0	1	0	1	1	0	0	0
88.25 - 125 MHz	0	0	0	1	0	1	0	1	1	0	0
125 - 176.5 MHz	1	0	0	0	1	0	0	1	1	0	0
176.5 - 250 MHz	1	0	0	1	1	0	0	1	1	0	0
250 - 353 MHz	1	1	0	0	1	1	0	1	0	1	0
353 - 500 MHz	1	1	0	1	1	1	0	1	0	1	0
500 - 706 MHz	0	1	0	0	1	1	1	0	0	1	0
706 - 1000 MHz	0	1	0	1	1	1	1	0	0	1	0

Chapter 6

REPLACEABLE PARTS

CONTENTS

Para.		Unit code
1	Introduction	
3	Abbreviations	
4	Component values	
6	Ordering	
7	Electrical components	
7	Unit A0/1 - Signal generator	52022-930X
8	Unit A1/1 - Keyboard	44829-503U
9	Unit A2/1 - Power supply & control	44829-474G
10	Unit AA0 - RF box assy. 'A'	44990-446L
11	Unit AA1 - Synthesizer	44828-786E
12	Unit AA2 - Microprocessor	44828-787U
13	Unit AB0 - RF box assy. 'B'	44990-447J
14	Unit AB1/1 - RF processing	44829-492K
15	Unit AC0 - Attenuator body	44429-029N
16	Unit AD0 - GPIB module	54433-003N
17	Unit AD1 - GPIB p.c.b.	44828-785H
18	Mechanical components	
Fig.		Page
1	Miscellaneous mechanical components 	33

INTRODUCTION

1. Each sub-assembly or printed circuit board in this equipment has been allocated a reference designator code, e.g. A0, A1, A2 etc.
2. The complete component reference includes its reference designator as a prefix e.g. A2C1 (capacitor C1 on sub-assembly A2) but for convenience in the text and diagrams the prefix is omitted unless it is needed to avoid confusion. However when ordering replacements or in correspondence the complete component reference must be quoted.

ABBREVIATIONS

3. Electrical components are listed in alpha-numerical order of their complete circuit reference and the following standard abbreviations are used in the 'Description' column :

ADC	analogue-digital converter
CAP	capacitor
CARR	carrier
CARB	carbon
CC	carbon composition
CDE CNV	code converter

CERM	cermet
CF	carbon film
COAX	coaxial
CON	connector
CTR	counter
DAC	digital-analogue converter
DEC/DMX	decoder/demultiplexer
DECOD	decoder
DIL	dual in-line
DIV	divider
DRIV	driver
ELEC	electrolytic
ENCOD	encoder
FEM	female
FF	flip-flop (bistable)
FILTERCON	filtering capacitor
GER	germanium
GP	general purpose
ICA	integrated circuit, analogue
ICD	integrated circuit, digital
IND	inductor
INV	inverter
LD/T	lead through
MF	metal film
MG	metal glaze
MISC	miscellaneous
MO	metal oxide
MP	microprocessor
MP SUPP	microprocessor support
MUX	multiplexer
NET	network
PC	polycarbonate
PETP	(polyester)polyethelene terephthalate
PS	polystyrene
PLL	phase-locked loop
Q/ACT	quick acting
RECT	rectifier
RES	resistor
RV	resistor, variable
RX	receiver
SAPPH	sapphire
SEC	secondary

SH REG	shift register
SIL	silicon
SW	switch
T/LAG	time lag
TANT	tantalum
TOG	toggle
TRANS	transistor
TX	transmitter
VAR	variable
VREG	voltage regulator
W	watts at 700C
WW	wirewound
X	miscellaneous item
XL	crystal
!	static sensitive component
% +	asymmetric tolerance

COMPONENT VALUES

4. One or more of the components fitted in the equipment may differ from those listed in this chapter for any of the following reasons:
- Components indicated by a * have their values selected during test to achieve particular performance limits.
 - Owing to supply difficulties, components of different value or type may be substituted provided the overall performance of the equipment is maintained.
 - As part of a policy of continuous development, components may be changed in value or type to obtain detail improvements in performance.
5. When there is a difference between the component fitted and the one listed, always use as a replacement the same type and value as found in the equipment.

ORDERING

6. When ordering replacements, address the order to our Service Division (address on rear cover) or nearest agent and specify the following for each component required:-
- Type# and serial number of equipment.
 - Complete circuit reference.
 - Description.
 - Part number.

As given on the serial number label at the rear of the equipment; if this is superseded by a model number label, quote the model number instead of the type number.

Circuit Ref.	Description	Part Number
ELECTRICAL COMPONENTS		
Unit A0/1 - SIGNAL GENERATOR		
7.	When ordering, prefix circuit reference with A0/1	
	Complete unit	52022-930X
FS1	FUSE T/LAG 0.25A 20X5 SLOW 210V-240V	23411-045F
FS2	FUSE T/LAG 0.25A 20X5 SLOW " "	" "
FS1	FUSE T/LAG 0.5A 20X5 SLOW 105V-120V	23411-046G
FS2	FUSE T/LAG 0.5A 20X5 SLOW " "	" "
	FUSE HOLDER	23416-192R
IC1	ICA VREG+ LM317T PROG 1A5	28461-726A
PLC	CON PWR MALE 3 FXD	23423-159P
PLR	CABLE ASSY (PLR-SKS)	43130-091N
PLV	CABLE ASSY (PLV-SKU)	43130-021Y
PLW	CABLE ASSY	43130-974H
PLY	CABLE ASSY (PLY-SKX)	43130-022N
PLZ	CABLE ASSY	43130-975E
PLAE	CABLE ASSY	43130-032W
PLAF	CABLE ASSY (PLAF-SKB)	43130-011B
R1	RV CERM 10K LIN .5W 10%	25748-518H
SA	SW TOG 2CO LEVER MAINS	23462- 249Z 268D
SB	SW SLIDE 2CO PANEL MTG	23467-161W
SC	SW SLIDE 2CO PANEL MTG	23467-161W
SKA	CON RF BNC FEM 50 BKHD (MOD IN/OUT)	23443-442B
SKAX	CON RF BNC FEM 50 BKHD (AUX MOD)	23443-442B
SKB	CABLE ASSY (SKB-PLAF)	43130-491A
SKD	CABLE ASSY (SKD-SKR)	43130-012K
SKE	CON 57 FEM 24 FXD PCB EDG GPIB	23435-133X
SKH	CABLE ASSY	43130-014Z
SKJ	CABLE ASSY	43130-010R
SKK	CABLE ASSY	43130-026G
SKL	CABLE ASSY	43130-018Y
SKM	CABLE ASSY	43130-028S
SKN	CABLE ASSY	43130-015H
SKP	CABLE ASSY	43130-027V
SKR	CABLE ASSY (SKR-SKD)	43130-012K
SKS	CABLE ASSY (SKS-PLR)	43130-019N
SKT	CABLE ASSY	43130-020U
SKU	CABLE ASSY (SKU-PLV)	43130-021Y
SKV	CABLE ASSY (SKV-SKW)	43137-028W
SKW	CABLE ASSY " "	" "
SKX	CABLE ASSY (SKX-PLY)	43137-024F
SKY	CABLE ASSY (SKY-SKZ)	43130-017U
SKZ	CABLE ASSY " "	" "

Circuit Ref.	Description	Part Number
Unit A0/1 - SIGNAL GENERATOR (Contd.)		
SKAA	CABLE ASSY	43130-023L
SKAB	CABLE ASSY	43130-024J
SKAC	CABLE ASSY	43130-025F
SKAD	CABLE ASSY	43130-029W
SKAE	CON RF SMA FEM 50 BKD LG S/BK	23444-513F
SKAF	CON RF SMA FEM 50 FLG S/BK	23444-509J
SKAG	CON PART MIN HOUSING 1 ROW 3P	23435-171R
TR1	TR NSI BD543 40V LOW VCE	28454-750B
T1	TRANSFORMER MAINS TOROIDAL	43490-086G
X1	FAN AX 5V DC 48MM	23535-127B

Unit A1/1 - KEYBOARD PCB

8. When ordering, prefix circuit reference with A1/1

	Complete unit	44829-503U
C1	CAP CER 1N0 63V 10% PLATE	26383-585M
C2	CAP CER 1N0 63V 10% PLATE	26383-585M
C3	CAP ELEC 100U 6.3V 20% SUBMIN	26421-118L
D1	LAMP LED HLMP1401 2.4V YEL	28624-137D
D2	LAMP LED HLMP1401 2.4V YEL	28624-137D
D3	LAMP LED HLMP1401 2.4V YEL	28624-137D
D4	LAMP LED HLMP1401 2.4V YEL	28624-137D
D5	LAMP LED HLMP1401 2.4V YEL	28624-137D
D6	LAMP LED HLMP1401 2.4V YEL	28624-137D
D7	LAMP LED HLMP1401 2.4V YEL	28624-137D
D8	LAMP LED HLMP1401 2.4V YEL	28624-137D
D9	DI SIL 1N4148 75V JUNC	28336-676J
D10	DI SIL 1N4148 75V JUNC	28336-676J
D11	DI SIL 1N4148 75V JUNC	28336-676J
D12	DI SIL 1N4148 75V JUNC	28336-676J
D13	DI SIL 1N4148 75V JUNC	28336-676J
D14	DI SIL 1N4148 75V JUNC	28336-676J
IC1	ICD DRIV 7225G 32 SEGMENT LCD !	28467-023H
IC2	ICD DRIV 7225G 32 SEGMENT LCD !	28467-023H
IC3	ICD FF D 40174 HEX !	28462-616Y
IC4	ICD LATCH 40373 OCTAL 3ST !	28462-413N
IC5	ICD BUFF 4503 HEX 3ST !	28469-179T
L1	IND CHOKE 100UH 10% LAQ	23642-561W

Circuit Ref.	Description	Part Number
Unit A1/1 - KEYBOARD PCB (Contd.)		
MP3	SW CAP RECT O "INCREMENT"	37591-301V
MP4	SW CAP RECT O "STORE"	37591-329G
MP5	SW CAP RECT O "R'CALL"	37591-382F
MP6	SW CAP RECT BN "MOD ALC"	37591-302S
MP7	SW CAP RECT O "CARR FREQ"	37591-303W
MP8	SW CAP RECT O "FM PM"	37591-304D
MP9	SW CAP RECT O "AM"	37591-305T
MP10	SW CAP RECT O "RF LEVEL"	37591-306P
MP11	SW CAP RECT BN "7"	37591-307X
MP12	SW CAP RECT BN "4"	37591-308M
MP13	SW CAP RECT BN "1"	37591-309C
MP14	SW CAP RECT BN "0"	37591-310X
MP15	SW CAP RECT BN "8"	37591-311M
MP16	SW CAP RECT BN "5"	37591-312C
MP17	SW CAP RECT BN "2"	37591-313R
MP18	SW CAP RECT BN "."	37591-314B
MP19	SW CAP RECT BN "6" OR "9"	37591-315K
MP20	SW CAP RECT BN "6" OR "9"	37591-315K
MP21	SW CAP RECT BN "3"	37591-316A
MP22	SW CAP RECT BN "-"	37591-317Z
MP23	SW CAP RECT GY "MHZ V"	37591-318H
MP24	SW CAP RECT GY "KHZ MV"	37591-319E
MP25	SW CAP RECT GY "HZ UV"	37591-320Z
MP26	SW CAP RECT GY "% RAD DB"	37591-321H
MP27	SW CAP RECT BN "INT EXT"	37591-322E
MP28	SW CAP RECT BN "MOD ON OFF"	37591-323U
MP29	SW CAP RECT BN "TOTAL INCR"	37591-324Y
MP30	SW CAP RECT BN "ARROW"	37591-330J
MP31	SW CAP RECT BU "SECOND FUNCT"	37591-325N
MP32	SW CAP RECT BN "CARR ON OFF"	37591-326L
MP33	SW CAP RECT BN "RETURN"	37591-327J
MP34	SW CAP RECT BN "ARROW"	37591-330J
MP35	SPACER (LED)	37590-737R
R1	RES MF 470R 1/4W 2% 100PPM	24773-265M
R2	RV CERM 2K LIN .3W 10% FLAT	25748-505T
R3	RES MF 3K9 1/4W 2% 100PPM	24773-287V
R4	RES MF 100R 1/4W 2% 100PPM	24773-249J
R5	RES MF 470R 1/4W 2% 100PPM	24773-265M
R6	RES MF 10K 1/4W 0.5% 50PPM	24753-628N
R7	RES MF 10K 1/4W 0.5% 50PPM	24753-628N
R8	RES MF 62K 1/4W 2% 100PPM	24773-316Y
R9	RES NET 100K - 5% - 8SIP L/P	24681-635F
R10	RES MF 150R 1/4W 2% 100PPM	24773-253F
R11	RES MF 150R 1/4W 2% 100PPM	24773-253F
R12	RES MF 150R 1/4W 2% 100PPM	24773-253F
R13	RES MF 150R 1/4W 2% 100PPM	24773-253F

Circuit Ref.	Description	Part Number
Unit A1/1 - KEYBOARD PCB (Contd.)		
SA	SW PUSH 1NO MOM ELASTO INSERT	23465-210Z
SB	SW PUSH 1NO MOM ELASTO INSERT	23465-210Z
SC	SW PUSH 1NO MOM ELASTO INSERT	23465-210Z
SD	SW PUSH 1NO MOM ELASTO INSERT	23465-210Z
SE	SW PUSH 1NO MOM ELASTO INSERT	23465-210Z
SF	SW PUSH 1NO MOM ELASTO INSERT	23465-210Z
SG	SW PUSH 1NO MOM ELASTO INSERT	23465-210Z
SH	SW PUSH 1NO MOM ELASTO INSERT	23465-210Z
SJ	SW PUSH 1NO MOM ELASTO INSERT	23465-210Z
SK	SW PUSH 1NO MOM ELASTO INSERT	23465-210Z
SL	SW PUSH 1NO MOM ELASTO INSERT	23465-210Z
SM	SW PUSH 1NO MOM ELASTO INSERT	23465-210Z
SN	SW PUSH 1NO MOM ELASTO INSERT	23465-210Z
SP	SW PUSH 1NO MOM ELASTO INSERT	23465-210Z
SR	SW PUSH 1NO MOM ELASTO INSERT	23465-210Z
SS	SW PUSH 1NO MOM ELASTO INSERT	23465-210Z
ST	SW PUSH 1NO MOM ELASTO INSERT	23465-210Z
SU	SW PUSH 1NO MOM ELASTO INSERT	23465-210Z
SV	SW PUSH 1NO MOM ELASTO INSERT	23465-210Z
SW	SW PUSH 1NO MOM ELASTO INSERT	23465-210Z
SX	SW PUSH 1NO MOM ELASTO INSERT	23465-210Z
SY	SW PUSH 1NO MOM ELASTO INSERT	23465-210Z
SZ	SW PUSH 1NO MOM ELASTO INSERT	23465-210Z
SAA	SW PUSH 1NO MOM ELASTO INSERT	23465-210Z
SAB	SW PUSH 1NO MOM ELASTO INSERT	23465-210Z
SAC	SW PUSH 1NO MOM ELASTO INSERT	23465-210Z
SAD	SW PUSH 1NO MOM ELASTO INSERT	23465-210Z
SAE	SW PUSH 1NO MOM ELASTO INSERT	23465-210Z
SAF	SW PUSH 1NO MOM ELASTO INSERT	23465-210Z
SAG	SW PUSH 1NO MOM ELASTO INSERT	23465-210Z
SAH	SW PUSH 1NO MOM ELASTO INSERT	23465-210Z
SAJ	SW PUSH 1NO MOM ELASTO INSERT	23465-210Z
TR1	TR PSI BC308B 20V 130M - GEN	28433-455R
X1	LIQUID CRYSTAL DISPLAY	44990-490W
X2	CON ELAS - - - 6.35X3.56X119.4	23436-030E

Circuit Ref.	Description	Part Number
Unit A2/1 - POWER SUPPLY & CONTROL PCB		
9.	When ordering, prefix circuit reference with A2/1	
	Complete unit	44829-474G
C1	CAP ELEC 15000U 16V -10+30%	26422-307Y
C2	CAP ELEC 6800U 25V -10+30%	26422-308N
C3	CAP ELEC 220U 25V 20%+	26421-125V
C4	CAP ELEC 220U 25V 20%+	26421-125V
C5	CAP ELEC 470U 25V 20%+	26421-129T
C6	CAP ELEC 100U 50V 20%+	26421-123F
C7	CAP ELEC 10U 35V 20%	26421-112Z
C8	CAP ELEC 10U 35V 20%	26421-112Z
C9	CAP ELEC 10U 35V 20%	26421-112Z
C10	CAP CER 10N 50V 20%	26346-120Y
C11	CAP ELEC 33U 25V 20%	26421-115U
C12	CAP ELEC 33U 25V 20%	26421-115U
C13	CAP ELEC 4U7 35V 20%	26421-108A
C14	CAP ELEC 100U 6.3V 20%	26421-118L
C15	CAP CER 10N 50V 20%	26346-120Y
C16	CAP CER 10N 50V 20%	26346-120Y
C17	CAP CER 220P 63V 2%	26343-435U
C18	CAP PETP 470N 63V 10%	26582-427L
C19	CAP CER 10N 50V 20%	26346-120Y
C20	CAP CER 220P 63V 2%	26343-435U
C21	CAP PETP 470N 63V 10%	26582-427L
C22	CAP CER 10N 50V 20%	26346-120Y
C23	CAP CER 10N 50V 20%	26346-120Y
C24	CAP PETP 47N 63V 10%	26582-428J
C25	CAP PETP 1U0 50V 10%	26582-432F
C26	CAP PETP 220N 63V 10%	26582-430L
C27	CAP CER 4P7 63V .25P	26343-485P
C28	CAP CER 4P7 63V .25P	26343-485P
C29	CAP PS 1N5 63V 1%	26538-906D
C30	CAP CER 18P 63V 2%	26343-498E
C31	CAP CER 4P7 63V .25P	26343-485P
C32	CAP PETP 2U2 63V 10%	26582-418Z
C33	CAP PS 4N7 63V 1%	26538-918A
C34	CAP CER 15P 63V 2%	26343-493B
C35	CAP CER 47P 63V 2%	26343-433H
C36	CAP CER 15P 63V 2%	26343-493B
C37	CAP CER 15P 63V 2%	26343-493B
C38	CAP CER 10N 50V 20%	26346-120Y
C39	CAP CER 180P 63V 2%	26343-446S
C40	CAP PETP 220N 63V 10%	26582-430L
C41	CAP CER 10N 50V 20%	26346-120Y
C42	CAP CER 10N 50V 20%	26346-120Y
C43	CAP CER 10N 50V 20%	26346-120Y
C44	CAP CER 10N 50V 20%	26346-120Y
C45	CAP CER 10N 50V 20%	26346-120Y

Circuit Ref.	Description	Part Number
Unit A2/1 - POWER SUPPLY & CONTROL PCB (Contd.)		
C46	CAP CER 10N 50V 20%	26346-120Y
C47	CAP CER 10N 50V 20%	26346-120Y
C48	CAP CER 10N 50V 20%	26346-120Y
C49	CAP CER 1N0 63V 10%	26383-585M
C50	CAP CER 10N 50V 20%	26346-120Y
C51	CAP ELEC 100U 6.3V 20%	26421-118L
C52	CAP PETP 1U0 50V 10%	26582-432F
C53	CAP ELEC 10U 35V 20%	26421-112Z
C54	CAP PETP 220N 63V 10%	26582-430L
C55	CAP CER 10N 50V 20%	26346-120Y
C56	CAP CER 10N 50V 20%	26346-120Y
D1	DI RECT 1N5401 100V	28355-723N
D2	DI RECT 1N5401 100V	28355-723N
D3	DI BRIDGE 2KBB20R 200V 1.9A	28359-189D
D4	DI BRIDGE 2KBB20R 200V 1.9A	28359-189D
D5	DI RECT 1N4004 400V	28357-028K
D6	DI RECT 1N4004 400V	28357-028K
D7	DI RECT 1N4004 400V	28357-028K
D8	DI ZEN 1N825/A 6.2V 5%	28371-494Z
D9	DI SIL 1N4148 75V JUNC	28336-676J
D10	DI ZEN 1N825/A 6.2V 5%	28371-494Z
D11	DI SIL 1N4148 75V JUNC	28336-676J
D12	DI SIL 1N4148 75V JUNC	28336-676J
D13	DI SIL 1N4148 75V JUNC	28336-676J
D14	DI SIL 1N4148 75V JUNC	28336-676J
D15	DI SIL 1N4148 75V JUNC	28336-676J
D16	DI SIL 1N4148 75V JUNC	28336-676J
D17	DI SIL 1N4148 75V JUNC	28336-676J
D18	DI SIL 1N4148 75V JUNC	28336-676J
D19	DI SIL 1N4148 75V JUNC	28336-676J
D20	DI SIL 1N4148 75V JUNC	28336-676J
D21	DI SIL 1N4148 75V JUNC	28336-676J
D22	DI SIL 1N4148 75V JUNC	28336-676J
D23	DI SIL 1N4148 75V JUNC	28336-676J
D24	DI SIL 1N4148 75V JUNC	28336-676J
D25	DI SIL 1N4148 75V JUNC	28336-676J
D26	DI SIL 1N4148 75V JUNC	28336-676J
D27	DI SIL 1N4148 75V JUNC	28336-676J
D28	DI SIL 1N4148 75V JUNC	28336-676J
D29	DI SIL 1N4148 75V JUNC	28336-676J
D30	DI H/CARR HP5082-2811 1.0V	28349-008U

Circuit Ref.	Description	Part Number
Unit A2/1 - POWER SUPPLY & CONTROL PCB (Contd.)		
IC1	ICA VREG- LM337T ADJ 1.5A	28461-727Z
IC2	ICA VREG+ LM317T ADJ 1.5A	28461-726A
IC3	ICA AMP TL072CP DUAL FET I/P	28461-348Z
IC4	ICD BUFF 4049B HEX INV BI	! 28469-162Z
IC5	ICD SH-REG 4094 8BIT STR/LA	! 28467-521W
IC6	ICD AND 4081 QUAD 2INP	! 28466-009L
IC7	ICD SH-REG 4094 8BIT STR/LA	! 28467-521W
IC8	ICD SH-REG 4021 8BIT PISO	! 28467-527C
IC9	ICD SH-REG 4094 8BIT STR/LA	! 28467-521W
IC11	ICD FF-D 40174 HEX	! 28462-616Y
IC12	ICD NAND 4011 QUAD 2INP	! 28466-340R
IC13	ICD BUFF 4503 HEX 3ST	! 28469-179T
IC14	ICA MUX 4053 TRIP 2INP	! 28469-714H
IC15	ICA AMP TL074CN QUAD FET I/P	28461-349H
IC16	ICA AMP TL074BCN FET I/P DIL14	28461-378K
IC17	ICA AMP TL074CN QUAD FET I/P	28461-349H
IC18	ICA AMP TL074CN QUAD FET I/P	28461-349H
IC19	ICA DAC AD7528JN DUAL 8BIT	! 28469-428C
IC20	ICA DAC AD7528JN DUAL 8BIT	! 28469-428C
IC21	ICA AMP NE5532 DUAL LN DIL8	28461-363G
IC22	ICD FF-D 40174 HEX	! 28462-616Y
IC23	ICA DAC AD7528JN DUAL 8BIT	! 28469-428C
IC25	ICD FF-D 40174 HEX	! 28462-616Y
IC26	ICD NAND 4093 QUAD 2INP SCH BI	! 28469-203U
IC27	ICA ARRAY CA3046 5 NPN TRAN	28461-901A
IC28	ICA DAC AD7549JN DUAL 12-BIT	! 28469-460P
IC29	ICD DEC/DMX 74HC138 3-8	! 28465-040P
IC30	ICD DEC/DMX 74HC138 3-8	! 28465-040P
IC31	ICD DEC/DMX 74HC138 3-8	! 28465-040P
IC32	ICA AMP TL071CP FET I/P DIL8	28461-347A
L1	IND CHOKE 100UH 10% LAQ	23642-561W
PLF	TERM C/PIN 0.64SQX6 S/E REEL	23435-188V
PLG	TERM C/PIN 0.64SQX6 S/E REEL	23435-188V
PLH	TERM C/PIN 0.64SQX6 S/E REEL	23435-188V
PLJ	TERM C/PIN 0.64SQX6 S/E REEL	23435-188V
PLK	TERM C/PIN 0.64SQX6 S/E REEL	23435-188V
PLL	TERM C/PIN 0.64SQX6 S/E REEL	23435-188V
PLM	TERM C/PIN 0.64SQX6 S/E REEL	23435-188V
PLN	TERM C/PIN 0.64SQX6 S/E REEL	23435-188V
PLX	TERM C/PIN 0.64SQX6 S/E REEL	23435-188V
PLAG	TERM C/PIN 0.64SQX6 S/E REEL	23435-188V

Circuit Ref.	Description	Part Number
Unit A2/1 - POWER SUPPLY & CONTROL PCB (Contd.)		
R1	RES MF 750R .25W 2% 100PPM	24773-270R
R2	RES MF 220R .125W 2% 100PPM	24772-057L
R3	RES MO 51R .5W 2% 250PPM	24573-042D
R4	RES MF 220R .125W 2% 100PPM	24772-057L
R5	RV CERM 50R LI .5W 10%	25711-634N
R6	RES MF 2K0 .25W 2% 100PPM	24773-280U
R7	RES MF 2K0 .25W 2% 100PPM	24773-280U
R8	RV CERM 50R LI .5W 10%	25711-634N
R9	RES MF 220R .125W 2% 100PPM	24772-057L
R10	RES MF 680R .25W 2% 100PPM	24773-269K
R11	RES MF 680R .25W 2% 100PPM	24773-269K
R12	RES MF 1K0 .125W 2% 100PPM	24772-073X
R13	RES MF 620R .125W 2% 100PPM	24772-068T
R14	RES MF 2K0 .125W 2% 100PPM	24772-080B
R15	RV CERM 2K0 LI .5W 10%	25711-639V
R16	RES MF 16K .125W 2% 100PPM	24772-102V
R17	RES MF 560R .125W 2% 100PPM	24772-067D
R18	RES MF 100K .125W 2% 100PPM	24772-121Z
R19	RES WW OR1 1.5W 10%	25133-032C
R20	RES MF 1K0 .25W 2% 100PPM	24773-273A
R21	RES MF 10K .125W 2% 100PPM	24772-097S
R22	RES MF 10K .125W 2% 100PPM	24772-097S
R23	RES MF 100R .125W 2% 100PPM	24772-049H
R24	RES MF 100K .125W 2% 100PPM	24772-121Z
R25	RES MF 100K .125W 2% 100PPM	24772-121Z
R26	RES MF 10K .25W 2% 100PPM	24773-297M
R27	RES MF 10K .125W 2% 100PPM	24772-097S
R28	RES MF 1K0 .125W 2% 100PPM	24772-073X
R29	RES MF 560R .125W 2% 100PPM	24772-067D
R30	RES MF 2K2 .25W 2% 100PPM	24773-281Y
R31	RES MF 10K .125W 2% 100PPM	24772-097S
R32	RES MF 4K7 .125W 2% 100PPM	24772-089L
R33	RES MF 2K2 .25W 2% 100PPM	24773-281Y
R34	RES MF 100K .125W 2% 100PPM	24772-121Z
R35	RES MF 1K5 .25W 2% 100PPM	24773-277U
R36	RES MF 360R .25W 2% 100PPM	24773-262T
R37	RES MF 360R .25W 2% 100PPM	24773-262T
R38	RES MF 6K2 .125W 2% 100PPM	24772-092L
R39	RES MF 1M0 .125W 2% 100PPM	24772-141T
R40	RES MF 1M0 .125W 2% 100PPM	24772-141T
R41	RES MF 10K .125W 2% 100PPM	24772-097S
R42	RES MF 1K0 .25W 2% 100PPM	24773-273A
R43	RES MF 300K .125W 2% 100PPM	24772-132F
R44	RES MF 240K .125W 2% 100PPM	24772-130L
R45	RES MF 560K .125W 2% 100PPM	24772-138T

Circuit Ref.	Description	Part Number
Unit A2/1 - POWER SUPPLY & CONTROL PCB (Contd.)		
R46	RES MF 100K .125W 2% 100PPM	24772-121Z
R47	RES MF 100K .125W 2% 100PPM	24772-121Z
R48	RES MF 100K .125W 2% 100PPM	24772-121Z
R49	RES MF 100K .125W 2% 100PPM	24772-121Z
R50	RES MF 10K0 .25W 0.1% 15PPM	24723-373P
R51	RES MF 1K8 .25W .1% 25PPM	24723-395F
R52	RES MF 10K0 .25W 0.1% 15PPM	24723-373P
R53	RES MF 18K0 .25W 0.1% 25PPM	24723-413M
R54	RES MF 1K0 .125W 2% 100PPM	24772-073X
R55	RES MF 18K .125W 2% 100PPM	24772-103S
R56	RV CERM 2K0 LI .5W 10%	25711-639V
R57	RES MF 2K2 .125W 2% 100PPM	24772-081K
R58	RV CERM 1K0 LI .5W 10%	25711-638G
R59	RES MF 2K2 .125W 2% 100PPM	24772-081K
R60	RES MF 10K .125W 2% 100PPM	24772-097S
R61	RES MF 100R .25W 2% 100PPM	24773-249J
R62	RES MF 1M0 .125W 2% 100PPM	24772-141T
R63	RES MF 820K .125W 2% 100PPM	24772-140D
R64	RES MF 1M0 .125W 2% 100PPM	24772-141T
R65	RES MF 150R .25W 2% 100PPM	24773-253F
R66	RES MF 2K7 .125W 2% 100PPM	24772-083Z
R67	RV CERM 1K0 LI .25W 10% 12T	25748-586E
R68	RES MF 1K6 .125W 2% 100PPM	24772-078K
R69	RES MF 10K .125W 2% 100PPM	24772-097S
R70	RES MF 91K .125W 2% 100PPM	24772-120A
R71	RES MF 390K .125W 2% 100PPM	24772-135S
R72	RES MF 10K .125W 2% 100PPM	24772-097S
R73	RES MF 12K .125W 2% 100PPM	24772-099D
R74	RES MF 12K .125W 2% 100PPM	24772-099D
R75	RES MF 2K2 .125W 2% 100PPM	24772-081K
R76	RES MF 2K2 .125W 2% 100PPM	24772-081K
R77	RES MF 2K2 .125W 2% 100PPM	24772-081K
R78	RES MF 2K2 .125W 2% 100PPM	24772-081K
R79	RES MF 2K2 .125W 2% 100PPM	24772-081K
R80	RES MF 39K .125W 2% 100PPM	24772-111X
R81	RES MF 1K0 .25W 2% 100PPM	24773-273A
R82	RES MF 15K .125W 2% 100PPM	24772-101G
R83	RES MF 47K .125W 2% 100PPM	24772-113C
R84	RV CERM 50K LI .5W 10%	25711-643S
R85	RES MF 100R .25W 2% 100PPM	24773-249J
R86	RES MF 620R .125W 2% 100PPM	24772-068T
R87	RES MF 12K .125W 2% 100PPM	24772-099D
R88	RES MF 100K .125W 2% 100PPM	24772-121Z
R89	RV CERM 100R LI .5W 10%	25711-635L
R90	RV CERM 100K LI .5W 10%	25711-644W

Circuit Ref.	Description	Part Number
Unit A2/1 - POWER SUPPLY & CONTROL PCB (Contd.)		
R91	RES MF 560R .125W 2% 100PPM	24772-067D
R92	RES MF 1K0 .125W 2% 100PPM	24772-073X
R93	RES MF 220K .125W 2% 100PPM	24772-129F
R94	RES MF 100K .125W 2% 100PPM	24772-121Z
R95	RES MF 2K2 .125W 2% 100PPM	24772-081K
R96	RES MF 2K2 .125W 2% 100PPM	24772-081K
R97	RES MF 100K .125W 2% 100PPM	24772-121Z
R98	RES MF 100K .125W 2% 100PPM	24772-121Z
R99	RES MF 100K .125W 2% 100PPM	24772-121Z
R100	RES MF 22K .125W 2% 100PPM	24772-105D
R101	RES MF 1K0 .125W 2% 100PPM	24772-073X
R102	RES MF 4K7 .125W 2% 100PPM	24772-089L
R103	RES MF 470R .125W 2% 100PPM	24772-065S
R104	RES MF 100K .125W 2% 100PPM	24772-121Z
R105	RES MF 6K8 .125W 2% 100PPM	24772-093J
R107	RES MF 4K7 .125W 2% 100PPM	24772-089L
R108	RES WW 10R 1.5W 5%	25123-020F
R111	RES MF 150R .25W 2% 100PPM	24773-253F
R112	RES MF 1K0 .25W 2% 100PPM	24773-273A
R113	RV CERM 1K0 LI .5W 10%	25711-638G
R114	RES MF 1K0 .25W 2% 100PPM	24773-273A
R115	RES MF 4K7 .25W 2% 100PPM	24773-289W
R116	RES MF 11K .125W 2% 100PPM	24772-098W
R117	RES MF 3K9 .125W 2% 100PPM	24772-087Y
R118	RES MF 620R .125W 2% 100PPM	24772-068T
R119	RES MF 470R .125W 2% 100PPM	24772-065S
R120	RES MF 5K6 .125W 2% 100PPM	24772-091N
R121	RES MF 4K3 .125W 2% 100PPM	24772-088N
RLA	RELAY REED 1NO 5V 500R	23486-442F
TR1	TR NSI BC108A&B 20V 150M - GEN	28452-787N
TR3	TR NSI BC208B 20V 150M - GEN	28452-781A
TR4	TR NSI BC208B 20V 150M - GEN	28452-781A
TR5	TR NSI BC208B 20V 150M - GEN	28452-781A
TR6	TR NSI BC208B 20V 150M - GEN	28452-781A
TR7	TR NJF J310 25V - 24MA	28459-028E
TR8	TR PSI BC308B 20V 130M - GEN	28433-455R
TR9	TR PSI BC308B 20V 130M - GEN	28433-455R
TR10	TR PSI BC308B 20V 130M - GEN	28433-455R
TR11	TR PSI BC308B 20V 130M - GEN	28433-455R
TR12	TR PSI BC308B 20V 130M - GEN	28433-455R
TR13	TR PSI BC308B 20V 130M - GEN	28433-455R
TR16	TR PSI BC308B 20V 130M - GEN	28433-455R

Circuit Ref.	Description	Part Number
Unit AA0 - RF BOX ASSY A		
10.	When ordering, prefix circuit reference with AA0	
	Complete unit	44990-446L
C1	CAP CER 1N0 300V 20%+ L/T SOL	26373-733K
C2	CAP CER 1N0 300V 20%+ L/T SOL	26373-733K
C3	CAP CER 1N0 300V 20%+ L/T SOL	26373-733K
C4	CAP CER 1N0 300V 20%+ L/T SOL	26373-733K
C5	CAP CER 1N0 300V 20%+ L/T SOL	26373-733K
C6	CAP CER 1N0 300V 20%+ L/T SOL	26373-733K
C7	CAP CER 1N0 300V 20%+ L/T SOL	26373-733K
C8	CAP CER 1N0 300V 20%+ L/T SOL	26373-733K
C9	CAP CER 1N0 300V 20%+ L/T SOL	26373-733K
C10	CAP CER 1N0 300V 20%+ L/T SOL	26373-733K
C11	CAP CER 1N0 300V 20%+ L/T SOL	26373-733K
C12	CAP CER 1N0 300V 20%+ L/T SOL	26373-733K
C13	CAP CER 1N0 300V 20%+ L/T SOL	26373-733K
C14	CAP CER 1N0 300V 20%+ L/T SOL	26373-733K
C15	CAP CER 1N0 300V 20%+ L/T SOL	26373-733K
C16	CAP CER 1N0 300V 20%+ L/T SOL	26373-733K
C17	CAP CER 1N0 300V 20%+ L/T SOL	26373-733K
C18	CAP CER 1N0 300V 20%+ L/T SOL	26373-733K
C19	CAP CER 1N0 300V 20%+ L/T SOL	26373-733K
C20	CAP CER 1N0 300V 20%+ L/T SOL	26373-733K
C21	CAP CER 1N0 300V 20%+ L/T SOL	26373-733K
C22	CAP CER 1N0 300V 20%+ L/T SOL	26373-733K
C23	CAP CER 1N0 300V 20%+ L/T SOL	26373-733K
C24	CAP CER 1N0 300V 20%+ L/T SOL	26373-733K
C25	CAP CER 1N0 300V 20%+ L/T SOL	26373-733K
C26	CAP CER 1N0 300V 20%+ L/T SOL	26373-733K
C27	CAP CER 1N0 300V 20%+ L/T SOL	26373-733K
C28	CAP CER 1N0 300V 20%+ L/T SOL	26373-733K
C29	CAP CER 1N0 300V 20%+ L/T SOL	26373-733K
C30	CAP CER 1N0 300V 20%+ L/T SOL	26373-733K
C31	CAP CER 1N0 300V 20%+ L/T SOL	26373-733K
C32	CAP CER 1N0 300V 20%+ L/T SOL	26373-733K
C33	CAP CER 1N0 300V 20%+ L/T SOL	26373-733K
C34	CAP CER 1N0 300V 20%+ L/T SOL	26373-733K
L1	IND CHOKE 5 TURNS	44190-036B
L2	IND CHOKE 5 TURNS	44190-036B
L3	IND CHOKE 5 TURNS	44190-036B
L4	IND CHOKE 5 TURNS	44190-036B
L6	IND CHOKE 5 TURNS	44190-036B
L7	IND CHOKE 5 TURNS	44190-036B
L8	IND CHOKE 5 TURNS	44190-036B
L9	IND CHOKE 5 TURNS	44190-036B
L10	IND CHOKE 5 TURNS	44190-036B

Circuit Ref.	Description	Part Number
Unit AA0 - RF BOX ASSY A (Contd.)		
L11	IND CHOKE 5 TURNS	44190-036B
L12	IND CHOKE 2.5 TURNS	44190-909X
L13	IND CHOKE 2.5 TURNS	44190-909X
L14	IND CHOKE 2.5 TURNS	44190-909X
L15	IND CHOKE 2.5 TURNS	44190-909X
L16	IND CHOKE 2.5 TURNS	23642-909X
L17	IND CHOKE 2.5 TURNS	23642-909X
L18	IND CHOKE 2.5 TURNS	23642-909X
X7	FERRITE BEAD	41372-006T
X8	FERRITE BEAD	41372-006T
X9	FERRITE BEAD	41372-006T
X10	FERRITE BEAD	41372-006T
X11	FERRITE BEAD	41372-006T
X12	FERRITE BEAD	41372-006T
X13	FERRITE BEAD	41372-006T
X14	FERRITE BEAD	41372-006T
X15	FERRITE BEAD	41372-006T
X16	FERRITE BEAD	41372-006T
X17	FERRITE BEAD	41372-006T
X18	FERRITE BEAD	41372-006T
X19	FERRITE BEAD	41372-006T
X20	FERRITE BEAD	41372-006T
X21	FERRITE BEAD	41372-006T
X22	FERRITE BEAD	41372-006T
X23	FERRITE BEAD	41372-006T
X24	FERRITE BEAD	41372-006T
X25	FERRITE BEAD	41372-006T
X26	FERRITE BEAD	41372-006T

Unit AA1 - SYNTHESIZER PCB

11. When ordering, prefix circuit reference with AA1

	Complete unit	44828-786E
C1	CAP CER 1N0 63V 10% PLATE	26383-585M
C2	CAP CER 1N0 63V 10% PLATE	26383-585M
C3	CAP CER 10N 50V 20% X7R MON AX	26346-120Y
C4	CAP CER 1N0 63V 10% PLATE	26383-585M
C5	CAP CER 1N0 63V 10% PLATE	26383-585M
C6	CAP CER 10N 50V 20% X7R MON AX	26346-120Y
C7	CAP CER 10N 50V 20% X7R MON AX	26346-120Y
C8	CAP CER 10N 50V 20% X7R MON AX	26346-120Y
C9	CAP CER 10N 50V 20% X7R MON AX	26346-120Y
C10	CAP CER 10N 50V 20% X7R MON AX	26346-120Y
C11	CAP CER 10N 50V 20% X7R MON AX	26346-120Y
C12	CAP CER 10N 50V 20% X7R MON AX	26346-120Y
C13	CAP CER 1N0 63V 10% PLATE	26383-585M
C14	CAP CER 1N0 63V 10% PLATE	26383-585M
C15	CAP CER 10N 50V 20% X7R MON AX	26346-120Y

Circuit Ref.	Description	Part Number
Unit AA1 - SYNTHESIZER PCB (Contd.)		
C16	CAP CER 100P 63V 2% PLATE	26343-477V
C17	CAP PS 1N0 63V 1% RAD	26538-902G
C18	CAP ELEC 10U 35V 20% SUBMIN	26421-112Z
C19	CAP PETP 10N 63V 2.5% RAD MIN	26582-494L
C20	CAP PETP 4N7 63V 2.5% RAD MIN	26582-493N
C21	CAP PETP 10N 63V 2.5% RAD MIN	26582-494L
C22	CAP CER 270P 63V 2% PLATE	26343-483D
C23	CAP CER 1N0 63V 10% PLATE	26383-585M
C24	CAP CER 10N 50V 20% X7R MON AX	26346-120Y
C25	CAP CER 10N 50V 20% X7R MON AX	26346-120Y
C26	CAP CER 10N 50V 20% X7R MON AX	26346-120Y
C27	CAP PETP 1U0 50V 10% RAD MIN	26582-432F
C28	CAP CER 1N0 63V 10% PLATE	26383-585M
C29	CAP CER 1N0 63V 10% PLATE	26383-585M
C30	CAP CER 10N 50V 20% X7R MON AX	26346-120Y
C31	CAP CER 10N 50V 20% X7R MON AX	26346-120Y
C32	CAP CER 10N 50V 20% X7R MON AX	26346-120Y
C33	CAP CER 10N 50V 20% X7R MON AX	26346-120Y
C34	CAP CER 10N 50V 20% X7R MON AX	26346-120Y
C35	CAP CER 10N 50V 20% X7R MON AX	26346-120Y
C36	CAP CER 10N 50V 20% X7R MON AX	26346-120Y
C37	CAP CER 10N 50V 20% X7R MON AX	26346-120Y
C38	CAP CER 10N 50V 20% X7R MON AX	26346-120Y
C39	CAP CER 10N 50V 20% X7R MON AX	26346-120Y
C40	CAP CER 10N 50V 20% X7R MON AX	26346-120Y
C41	CAP CER 10N 50V 20% X7R MON AX	26346-120Y
C42	CAP CER 10N 50V 20% X7R MON AX	26346-120Y
C43	CAP PETP 1U0 50V 10% RAD MIN	26582-432F
C44	CAP CER 10N 50V 20% X7R MON AX	26346-120Y
C45	CAP CER 10N 50V 20% X7R MON AX	26346-120Y
C46	CAP CER 10N 50V 20% X7R MON AX	26346-120Y
C47	CAP CER 10N 50V 20% X7R MON AX	26346-120Y
C48	CAP CER 10P 63V .5PF PLATE	26343-465H
C49	CAP CER 220P 63V 2% PLATE	26343-481S
C50	CAP PS 150P 63V 2% RAD	26538-571R
C51	CAP ELEC 33U 25V 20% SUBMIN	26421-115U
C52	CAP ELEC 33U 25V 20% SUBMIN	26421-115U
C53	CAP ELEC 33U 25V 20% SUBMIN	26421-115U
C54	CAP PETP 1U0 50V 10% RAD MIN	26582-432F
C55	CAP ELEC 1000U 6V 20%+ PCB	26421-128D
C56	CAP CER 4P7 63V .5PF PLATE	26343-461B
C57	CAP PETP 100N 63V 10% RAD MIN	26582-429F
C58	CAP ELEC 10U 35V 20% SUBMIN	26421-112Z
C59	CAP ELEC 10U 35V 20% SUBMIN	26421-112Z
C60	CAP ELEC 10U 35V 20% SUBMIN	26421-112Z
C61	CAP ELEC 10U 35V 20% SUBMIN	26421-112Z

Circuit Ref.	Description	Part Number
Unit AA1 - SYNTHESIZER PCB (Contd.)		
D1	DI SIL 1N4148 75V JUNC	28336-676J
D2	DI SIL 1N4148 75V JUNC	28336-676J
D3	DI SIL 1N4148 75V JUNC	28336-676J
D4	DI SIL 1N4148 75V JUNC	28336-676J
D5	DI SIL 1N4148 75V JUNC	28336-676J
D6	DI SIL 1N4148 75V JUNC	28336-676J
D7	DI SIL 1N4148 75V JUNC	28336-676J
D8	DI SIL 1N4148 75V JUNC	28336-676J
D9	DI SIL 1N4148 75V JUNC	28336-676J
D10	DI ZEN BZX79C5V1 5.1V 5%	28371-401U
D11	DI SIL 1N4148 75V JUNC	28336-676J
D12	DI SIL 1N4148 75V JUNC	28336-676J
IC1	ICD DIV SP8659B /16 200MHZ	28469-429R
IC2	ICD NAND 74SOON QUAD 2INP	28466-331D
IC3	ICD FF D 40174 HEX	28462-616Y
IC4	ICD CTR 74LS191 4BIT BIN U/D	28464-022X
IC5	ICD CTR 74LS191 4BIT BIN U/D	28464-022X
IC6	ICD FF D 74S74 DUAL +EDG TR	28462-607K
IC7	ICD FF D 74S74 DUAL +EDG TR	28462-607K
IC8	ICD CTR 74HCT390 DUAL 4BIT DEC	28464-127R
IC9	ICD DIV SP8906 4MOD PRESCALER	28469-430M
IC10	ICD NAND 74LS00 QUAD 2INP	28466-345H
IC11	ICD FF D 74LS74 DUAL +EDG TR	28462-611A
IC12	ICA AMP TL074CN QUAD FET I/P	28461-349H
IC13	ICD FF D 40174 HEX	28462-616Y
IC14	ICD CTR 74LS390 DUAL 4BIT DEC	28464-127R
IC15	ICD NAND 74LS00 QUAD 2INP	28466-345H
IC16	ICD CTR 74LS191 4BIT BIN U/D	28464-022X
IC17	ICD CTR 74LS191 4BIT BIN U/D	28464-022X
IC18	ICA COMP LM311N DIL8	28461-695U
IC19	ICD FF D 40174 HEX	28462-616Y
IC20	ICD NAND 74LS00 QUAD 2INP	28466-345H
IC21	ICA AMP TL072CP DUAL FET I/P	28461-348Z
IC22	ICD FF D 74LS74 DUAL +EDG TR	28462-611A
IC23	ICD FF D 40174 HEX	28462-616Y
IC24	ICD FF D 40174 HEX	28462-616Y
IC25	ICD ADDER 4008 4BIT FULL	28469-363B
IC26	ICD ADDER 4008 4BIT FULL	28469-363B
IC27	ICD ADDER 4008 4BIT FULL	28469-363B
IC28	ICA AMP TL071CP FET I/P DIL8	28461-347A
IC29	ICD ADDER 4008 4BIT FULL	28469-363B
IC30	ICD ADDER 4008 4BIT FULL	28469-363B
IC31	ICD FF D 40174 HEX	28462-616Y
IC32	ICD FF D 40174 HEX	28462-616Y
IC33	ICA DAC AD7524JN 8BIT	28469-400R
IC34	ICD NAND 74LS132 QUAD 2INP SCH	28469-205N

Circuit Ref.	Description	Part Number
Unit AA1 - SYNTHESIZER PCB (Contd.)		
L1	IND CHOKE 100UH 10% LAQ	23642-561W
L2	IND CHOKE 1000UH 10% LAQ	23642-567C
L3	IND CHOKE 1.0UH 10% LAQ	23642-549L
L4	IND CHOKE 1000UH 10% LAQ	23642-567C
R1	RES MF 33K 1/4W 2% 100PPM	24773-309Z
R2	RES MF 51R 1/4W 2% 100PPM	24773-242Z
R3	RES MF 470R 1/4W 2% 100PPM	24773-265M
R4	RES MF 470R 1/4W 2% 100PPM	24773-265M
R5	RES MF 150R 1/4W 2% 100PPM	24773-253F
R6	RES MF 51R 1/4W 2% 100PPM	24773-242Z
R7	RES MF 470R 1/4W 2% 100PPM	24773-265M
R8	RES MF 470R 1/4W 2% 100PPM	24773-265M
R9	RES MF 470R 1/4W 2% 100PPM	24773-265M
R10	RES MF 470R 1/4W 2% 100PPM	24773-265M
R11	RES MF 39K 1/4W 2% 100PPM	24773-311A
R12	RES MF 22K 1/4W 2% 100PPM	24773-305R
R13	RES MF 100K 1/4W 2% 100PPM	24773-321L
R14	RES MF 10K 1/4W 2% 100PPM	24773-297M
R15	RES MF 100K 1/4W 2% 100PPM	24773-321L
R16	RES MF 2K2 1/4W 2% 100PPM	24773-281Y
R17	RES MF 1K0 1/4W 2% 100PPM	24773-273A
R18	RES MF 2K2 1/4W 2% 100PPM	24773-281Y
R19	RES MF 1K0 1/4W 2% 100PPM	24773-273A
R20	RES MF 4K7 1/4W 2% 100PPM	24773-289W
R21	RES MF 4K7 1/4W 2% 100PPM	24773-289W
R22	RES MF 4K7 1/4W 2% 100PPM	24773-289W
R23	RES MF 36K 1/4W 2% 100PPM	24773-310K
R24	RES MF 36K 1/4W 2% 100PPM	24773-310K
R25	RES MF 100K 1/4W 2% 100PPM	24773-321L
R26	RES MF 62K 1/4W 2% 100PPM	24773-316Y
R27	RES MF 100R 1/4W 2% 100PPM	24773-249J
R28	RES MF 470R 1/4W 2% 100PPM	24773-265M
R29	RES MF 1K8 1/4W 2% 100PPM	24773-279N
R30	RES MF 470R 1/4W 2% 100PPM	24773-265M
R31	RES MF 1K8 1/4W 2% 100PPM	24773-279N
R32	RES MF 4K7 1/4W 2% 100PPM	24773-289W
R33	RES MF 4K7 1/4W 2% 100PPM	24773-289W
R34	RES MF 2K2 1/4W 2% 100PPM	24773-281Y
R35	RES MF 100K 1/4W 2% 100PPM	24773-321L
R36	RES MF 10K 1/4W 2% 100PPM	24773-297M
R37	RES MF 18K 1/4W 2% 100PPM	24773-303M
R38	RES MF 1K0 1/4W 2% 100PPM	24773-273A
R39	RES MF 470R 1/4W 2% 100PPM	24773-265M
R40	RES MF 470R 1/4W 2% 100PPM	24773-265M
R41	RES MF 2K2 1/4W 2% 100PPM	24773-281Y
R42	RES MF 1K0 1/4W 2% 100PPM	24773-273A
R43	RV CERM 2K0 LIN .5W 10% HORZ	25711-639V
R44	RES MF 100R 1/4W 2% 100PPM	24773-249J
R45	RES MF 1K0 1/4W 2% 100PPM	24773-273A

Circuit Ref.	Description	Part Number
Unit AA1 - SYNTHESIZER PCB (Contd.)		
R46	RES MF 16K 1/4W 2% 100PPM	24773-302X
R47	RES MF 4K7 1/4W 2% 100PPM	24773-289W
R48	RES MF 1K0 1/4W 2% 100PPM	24773-273A
R49	RES MF 1K0 1/4W 2% 100PPM	24773-273A
R50	RES MF 100R 1/4W 2% 100PPM	24773-249J
R51	RES MF 100R 1/4W 2% 100PPM	24773-249J
R52	RES MF 120K 1/4W 2% 100PPM	24773-323F
TR1	TR NSI BC208B 20V 150M - GEN	28452-781A
TR2	TR PSI BC308B 20V 130M - GEN	28433-455R
TR3	TR NSI BC208B 20V 150M - GEN	28452-781A
TR4	TR PSI BC308B 20V 130M - GEN	28433-455R
TR5	TR PSI BC308B 20V 130M - GEN	28433-455R
TR6	TR NSI 2N2369 15V 500M - SW	28452-197H
TR7	TR NSI BC208B 20V 150M - GEN	28452-781A
TR8	TR PSI BC308B 20V 130M - GEN	28433-455R
TR9	TR NSI 2N2369 15V 500M - SW	28452-197H
TR10	TR PSI MPSL08 20V 130M - GEN	28431-767E
X1	OSC 10MHZ (HS OVEN)	44990-418V

Unit AA2/1 - MICROPROCESSOR PCB

12. When ordering, prefix circuit reference with AA2/1.

	Complete unit	44829-556C
C3	CAP ELEC 4U7 35V 20%	26421-108A
C4	CAP CER 10N 50V 20%	26346-120Y
C5	CAP CER 10N 50V 20%	26346-120Y
C6	CAP CER 10N 50V 20%	26346-120Y
C7	CAP CER 10N 50V 20%	26346-120Y
C8	CAP PETP 100N 63V 10%	26582-429F
C9	CAP CER 10N 50V 20%	26346-120Y
C10	CAP CER 10N 50V 20%	26346-120Y
C11	CAP CER 10N 50V 20%	26346-120Y
C12	CAP CER 10N 50V 20%	26346-120Y
C15	CAP CER 10N 50V 20%	26346-120Y
C16	CAP CER 10N 50V 20%	26346-120Y
C19	CAP ELEC 47U 63V 20%+	26421-121L
D2	DI ZEN 1N825/A 6.2V 5%	28371-494Z
D6	DI SIL 1N4148 75V JUNC	28336-676J
IC1	ICA AMP TL071CP FET I/P DIL8	28461-347A
IC2	ICM MP P8085A 8BIT NMOS	! 28469-396K
IC3	ICD CTR 74HC393 DUAL 4BIT BIN	! 28464-143L
IC4	ICD DIV 4020 14STAGE	! 28464-107N
IC5	ICD LATCH 74HC373 OCT 3ST	! 28462-419S
IC6	ICD AND 74HC08 QUAD 2INP	! 28466-020S
IC7	ICM PROM 27C512-20 64KX8 20ONS	! 28471-029M

REPLACEABLE PARTS

Circuit Ref.	Description	Part Number
IC8	ICD DEC/DMX 74HC138 3-8 !	28465-040P
IC9	ICD OR 74HC32 QUAD 2INP !	28466-112Y
IC10	ICD BUFF 74HCT125 QUAD 3ST !	28469-010S
IC11	ICD FF-D 74HC175 QUAD +EDGE TR !	28462-623F
IC12	ICM RAM HM6116P-4 2KX8 200NS !	28469-307N
IC13	ICM PROM 2817A-25 2KX8 200NSEA !	28471-025D
IC14	ICD FF-D 40174 HEX !	28462-616Y
IC15	ICD FF-D 40174 HEX !	28462-616Y
PLAA	TERM C/PIN 0.64SQX6 S/E REEL	23435-188V
PLAB	TERM C/PIN 0.64SQX6 S/E REEL	23435-188V
PLAC	TERM C/PIN 0.64SQX6 S/E REEL	23435-188V
R1	RV CERM 1K LI .5W 10% HORZ	25711-638G
R2	RES MF 3K9 .25W 2% 100PPM	24773-287V
R3	RES MF 3K0 .25W 2% 100PPM	24773-284J
R8	RES MF 4K7 .25W 2% 100PPM	24773-289W
R9	RES MF 4K7 .25W 2% 100PPM	24773-289W
R10	RES MF 1K0 .25W 2% 100PPM	24773-273A
R11	RES MF 150K .25W 2% 100PPM	24773-325V
R12	RES MF 1K0 .25W 2% 100PPM	24773-273A
R13	RES MF 10K .25W 2% 100PPM	24773-297M
R14	RES MF 10K .25W 2% 100PPM	24773-297M
R16	RES MF 10K .25W 2% 100PPM	24773-297M
R17	RES MF 1K0 .25W 2% 100PPM	24773-273A
R18	RES MF 3K0 .25W 2% 100PPM	24773-284J
R19	RES MF 3K0 .25W 2% 100PPM	24773-284J
TR2	TR NSI BC208B 20V 150M - GEN	28452-781A
X12	TERM C/PIN 0.64SQX6 S/E REEL	23435-188V
X13	CON JUMP FEM 2 9.6MM	23435-990X
X15	S/C-ACC SKT DIL28 LOW PROFILE	28488-045L

Unit AB0 - RF BOX ASSY B

13. When ordering, prefix circuit reference with AB0

	Complete unit	44990-447J
C1	CAP CER 1N0 300V 20%+ L/T SOL	26373-733K
C2	CAP CER 1N0 300V 20%+ L/T SOL	26373-733K
C3	CAP CER 1N0 300V 20%+ L/T SOL	26373-733K
C4	CAP CER 1N0 300V 20%+ L/T SOL	26373-733K
C5	CAP CER 1N0 300V 20%+ L/T SOL	26373-733K
C6	CAP CER 1N0 300V 20%+ L/T SOL	26373-733K
C7	CAP CER 1N0 300V 20%+ L/T SOL	26373-733K
C8	CAP CER 1N0 300V 20%+ L/T SOL	26373-733K
C9	CAP CER 1N0 300V 20%+ L/T SOL	26373-733K
C10	CAP CER 1N0 300V 20%+ L/T SOL	26373-733K
C11	CAP CER 1N0 300V 20%+ L/T SOL	26373-733K
C12	CAP CER 1N0 300V 20%+ L/T SOL	26373-733K
C13	CAP CER 1N0 300V 20%+ L/T SOL	26373-733K
C14	CAP CER 1N0 300V 20%+ L/T SOL	26373-733K
C15	CAP CER 1N0 300V 20%+ L/T SOL	26373-733K

Circuit Ref.	Description	Part Number
Unit AB0 - RF BOX ASSY B (Contd.)		
C16	CAP CER 1N0 300V 20%+ L/T SOL	26373-733K
C17	CAP CER 1N0 300V 20%+ L/T SOL	26373-733K
C18	CAP CER 1N0 300V 20%+ L/T SOL	26373-733K
C19	CAP CER 1N0 300V 20%+ L/T SOL	26373-733K
C20	CAP CER 1N0 300V 20%+ L/T SOL	26373-733K
C21	CAP CER 1N0 300V 20%+ L/T SOL	26373-733K
C22	CAP CER 1N0 300V 20%+ L/T SOL	26373-733K
C23	CAP CER 1N0 300V 20%+ L/T SOL	26373-733K
C24	CAP CER 1N0 300V 20%+ L/T SOL	26373-733K
C25	CAP CER 1N0 300V 20%+ L/T SOL	26373-733K
C26	CAP CER 1N0 300V 20%+ L/T SOL	26373-733K
C27	CAP CER 1N0 300V 20%+ L/T SOL	26373-733K
C28	CAP CER 1N0 300V 20%+ L/T SOL	26373-733K
C29	CAP CER 1N0 300V 20%+ L/T SOL	26373-733K
C30	CAP CER 1N0 300V 20%+ L/T SOL	26373-733K
L1	IND CHOKE 5 TURNS	44190-036B
L2	IND CHOKE 5 TURNS	44190-036B
L3	IND CHOKE 5 TURNS	44190-036B
L4	IND CHOKE 5 TURNS	44190-036B
L5	IND CHOKE 5 TURNS	44190-036B
L6	IND CHOKE 5 TURNS	44190-036B
L7	IND CHOKE 5 TURNS	44190-036B
L8	IND CHOKE 5 TURNS	44190-036B
L9	IND CHOKE 5 TURNS	44190-036B
L10	IND CHOKE 5 TURNS	44190-036B
L11	IND CHOKE 5 TURNS	44190-036B
L12	IND CHOKE 5 TURNS	44190-036B
L13	IND CHOKE 2.5 TURNS	23642-909X
L14	IND CHOKE 2.5 TURNS	23642-990X
L15	IND CHOKE 2.5 TURNS	23642-990X
X4	FERRITE BEAD	41372-006T
X5	FERRITE BEAD	41372-006T
X6	FERRITE BEAD	41372-006T
X7	FERRITE BEAD	41372-006T
X8	FERRITE BEAD	41372-006T
X9	FERRITE BEAD	41372-006T
X10	FERRITE BEAD	41372-006T
X11	FERRITE BEAD	41372-006T
X12	FERRITE BEAD	41372-006T
X13	FERRITE BEAD	41372-006T
X14	FERRITE BEAD	41372-006T
X15	FERRITE BEAD	41372-006T
X16	FERRITE BEAD	41372-006T
X17	FERRITE BEAD	41372-006T
X18	FERRITE BEAD	41372-006T
X19	FERRITE BEAD	41372-006T

Circuit Ref.	Description	Part Number
Unit AB1/1 - RF PROCESSING		
14.	When ordering, prefix circuit reference with AB1/1	
	Complete unit	44829-492K
C1	CAP ELEC 220U 10V 20%+	26415-817J
C2	CAP CER 220P 63V 10%	26383-595H
C3	CAP CER 10P 50V 10%	26343-570H
C4	CAP CER 22P 50V 10%	26343-572U
C5	CAP CER 220P 63V 10%	26383-595H
C6	CAP TANT 10U 35V 20%	26486-225C
C7	CAP-VAR PLAS 22P 2P TRIM	26878-407U
C8	CAP CER 220P 63V 10%	26383-595H
C9	CAP CER 220P 63V 10%	26383-595H
C10	CAP CER 220P 63V 10%	26383-595H
C11	CAP CER 220P 63V 10%	26383-595H
C12	CAP TANT 1U0 35V 20%	26486-209F
C13	CAP CER 220P 63V 10%	26383-595H
C14	CAP CER 220P 63V 10%	26383-595H
C15	CAP CER 33P 63V 2%	26343-494K
C16	CAP CER 220P 63V 10%	26383-595H
C17	CAP CER 220P 63V 10%	26383-595H
C18	CAP-VAR PLAS 65P 5P5 TRIM	26878-408Y
C19	CAP CER 220P 63V 10%	26383-595H
C20	CAP CER 18P 63V 2%	26343-498E
C21	CAP CER 220P 63V 10%	26383-595H
C22	CAP CER 220P 63V 10%	26383-595H
C23	CAP CER 220P 63V 10%	26383-595H
C24	CAP CER 33P 63V 2%	26343-494K
C25	CAP CER 47P 63V 2%	26343-433H
C26	CAP CER 33P 63V 2%	26343-494K
C27	CAP PC 1N0 100V 5%	26531-107L
C28	CAP PC 1N0 100V 5%	26531-107L
C29	CAP PC 1N0 100V 5%	26531-107L
C30	CAP CER 220P 63V 10%	26383-595H
C31	CAP-VAR PLAS 22P 2P TRIM	26878-407U
C32	CAP ELEC 220U 10V 20%+	26415-817J
C33	CAP CER 15P 50V 10%	26343-571E
C34	CAP CER 15P 50V 10%	26343-571E
C35	CAP ELEC 220U 16V 20%+	26421-124G
C36	CAP CER 220P 63V 10%	26383-595H
C37	CAP CER 220P 63V 10%	26383-595H
C38	CAP-VAR PLAS 65P 5P5 TRIM	26878-408Y
C39	CAP ELEC 220U 10V 20%+	26415-817J
C40	CAP CER 33P 50V 10%	26343-573Y

Circuit Ref.	Description	Part Number
Unit AB1/1 - RF PROCESSING (Contd.)		
C41	CAP CER 33P 50V 10%	26343-573Y
C42	CAP ELEC 220U 16V 20%+	26421-124G
C43	CAP CER 220P 63V 10%	26383-595H
C44	CAP CER 220P 63V 10%	26383-595H
C45	CAP CER 220P 63V 10%	26383-595H
C46	CAP CER 220P 63V 10%	26383-595H
C47	CAP CER 220P 63V 10%	26383-595H
C48	CAP CER 1N0 63V 10%	26383-585M
C49	CAP CER 220P 63V 10%	26383-595H
C50	CAP CER 220P 63V 10%	26383-595H
C51	CAP CER 220P 63V 10%	26383-595H
C52	CAP CER 220P 63V 10%	26383-595H
C53	CAP CER 220P 63V 10%	26383-595H
C54	CAP CER 220P 63V 10%	26383-595H
C55	CAP CER 220P 63V 10%	26383-595H
C56	CAP CER 220P 63V 10%	26383-595H
C57	CAP CER 220P 63V 10%	26383-595H
C58	CAP CER 15P 63V 2%	26343-493B
C59	CAP CER 1N0 63V 10%	26383-585M
C60	CAP CER 5P6 63V .25P	26343-486X
C61	CAP CER 8P2 63V .25P	26343-488C
C62	CAP CER 6P8 63V .25P	26343-487M
C63	CAP CER 15P 63V 2%	26343-493B
C64	CAP CER 10P 63V 2%	26343-492R
C65	CAP CER 18P 63V 2%	26343-498E
C66	CAP CER 2P7 63V .25P	26343-484T
C67	CAP CER 10P 63V 2%	26343-492R
C68	CAP CER 1N0 63V 10%	26383-585M
C69	CAP CER 1N0 63V 10%	26383-585M
C70	CAP CER 1N0 63V 10%	26383-585M
C71	CAP CER 1N0 63V 10%	26383-585M
C72	CAP CER 3P9 63V .25P	26343-496Z
C73	CAP CER 12P 63V 2%	26343-497H
C74	CAP CER 220P 63V 10%	26383-595H
C75	CAP CER 1N0 63V 10%	26383-585M
C76	CAP CER 1N0 63V 10%	26383-585M
C77	CAP CER 1N0 63V 10%	26383-585M
C78	CAP CER 2P7 63V .25P	26343-484T
C79	CAP CER 22P 63V 2%	26343-489R
C80	CAP CER 220P 63V 10%	26383-595H
C81	CAP CER 1N0 63V 10%	26383-585M
C82	CAP CER 220P 63V 10%	26383-595H
C83	CAP CER 15P 63V 2%	26343-493B
C84	CAP CER 10N 25V 20%	26383-006C
C85	CAP CER 220P 63V 10%	26383-595H

REPLACEABLE PARTS

Circuit Ref.	Description	Part Number
Unit AB1/1 - RF PROCESSING (Contd.)		
C86	CAP CER 33P 63V 2%	26343-494K
C87	CAP CER 22P 63V 2%	26343-489R
C88	CAP CER 22P 63V 2%	26343-489R
C89	CAP CER 33P 63V 2%	26343-494K
C90	CAP CER 5P6 63V .25P	26343-486X
C91	CAP CER 68P 63V 2%	26343-434E
C92	CAP CER 68P 63V 2%	26343-434E
C93	CAP CER 68P 63V 2%	26343-434E
C95	CAP CER 1N0 63V 10%	26383-585M
C96	CAP CER 4P7 63V .25P	26343-485P
C97	CAP CER 220P 63V 10%	26383-595H
C98	CAP CER 220P 63V 10%	26383-595H
C101	CAP CER 1N0 63V 10%	26383-585M
C102	CAP CER 1N0 63V 10%	26383-585M
C103	CAP CER 220P 63V 10%	26383-595H
C104	CAP PETP 47N 63V 10%	26582-428J
C106	CAP PETP 47N 63V 10%	26582-428J
C107	CAP CER 220P 63V 10%	26383-595H
C108	CAP CER 1N0 63V 10%	26383-585M
C109	CAP CER 1N0 63V 10%	26383-585M
C110	CAP PETP 47N 63V 10%	26582-428J
C111	CAP CER 100P 63V 2%	26343-437N
C112	CAP CER 1N0 63V 10%	26383-585M
C113	CAP CER 82P 63V 2%	26343-431A
C114	CAP CER 100P 63V 2%	26343-437N
C115	CAP CER 33P 50V 2%	26343-573Y
C116	CAP PETP 47N 63V 10%	26582-428J
C117	CAP CER 220P 63V 10%	26383-595H
C118	CAP CER 220P 63V 10%	26383-595H
C119	CAP CER 220P 63V 10%	26383-595H
C120	CAP CER 220P 63V 10%	26383-595H
C121	CAP CER 220P 63V 10%	26383-595H
C122	CAP CER 220P 63V 10%	26383-595H
C123	CAP CER 220P 63V 10%	26383-595H
C124	CAP CER 220P 63V 10%	26383-595H
C125	CAP CER 220P 63V 10%	26383-595H
C126	CAP CER 220P 63V 10%	26383-595H
C127	CAP CER 220P 63V 10%	26383-595H
C128	CAP CER 68P 63V 2%	26343-434E
C129	CAP CER 220P 63V 10%	26383-595H
C130	CAP CER 220P 63V 10%	26383-595H
C131	CAP CER 220P 63V 10%	26383-595H
C132	CAP CER 220P 63V 10%	26383-595H
C134	CAP CER 39P 63V 2%	26343-430K
C135	CAP ELEC 33U 25V 20%	26421-115U

Circuit Ref.	Description	Part Number
Unit AB1/1 - RF PROCESSING (Contd.)		
C136	CAP CER 220P 63V 10%	26383-595H
C137	CAP CER 1N0 63V 10%	26383-585M
C138	CAP CER 220P 63V 10%	26383-595H
C139	CAP CER 220P 63V 10%	26383-595H
C140	CAP CER 220P 63V 10%	26383-595H
C141	CAP CER 220P 63V 10%	26383-595H
C142	CAP CER 1N0 63V 10%	26383-585M
C143	CAP PC 1N0 100V 5%	26531-107L
C144	CAP PETP 100N 63V 10%	26582-429F
C145	CAP CER 220P 63V 10%	26383-595H
C146	CAP PETP 100N 63V 10%	26582-429F
C147	CAP CER 220P 63V 10%	26383-595H
C148	CAP CER 4P7 63V .25P	26343-485P
C149	CAP CER 22P 63V 2%	26343-489R
C150	CAP CER 220P 63V 10%	26383-595H
C151	CAP CER 220P 63V 10%	26383-595H
C152	CAP CER 220P 63V 10%	26383-595H
C153	CAP CER 220P 63V 10%	26383-595H
C154	CAP CER 220P 63V 10%	26383-595H
C155	CAP CER 220P 63V 10%	26383-595H
C156	CAP ELEC 33U 25V 20%	26421-115U
C157	CAP CER 1N0 63V 10%	26383-585M
C158	CAP CER 1N0 63V 10%	26383-585M
C160	CAP TANT 1U0 35V 20%	26486-209F
C161	CAP CER 120P 63V 2%	26343-438L
C162	CAP TANT 1U0 35V 20%	26486-209F
C163	CAP TANT 1U0 35V 20%	26486-209F
C164	CAP TANT 1U0 35V 20%	26486-209F
C165	CAP CER 1P8 63V .25P	26343-490M
C166	CAP CER 1N0 63V 10%	26383-585M
C167	CAP CER 1N0 63V 10%	26383-585M
C168	CAP CER 1N0 63V 10%	26383-585M
C169	CAP CER 1N0 63V 10%	26383-585M
C170	CAP TANT 1U0 35V 20%	26486-209F
C171	CAP CER 1N0 63V 10%	26383-585M
C172	CAP CER 4P7 63V .25P	26343-485P
C173	CAP CER 4P7 63V .25P	26343-485P
C174	CAP TANT 1U0 35V 20%	26486-209F
C175	CAP CER 4N7 63V 10%	26383-591B
C176	CAP TANT 1U0 35V 20%	26486-209F
C177	CAP CER 1N0 63V 10%	26383-585M
C178	CAP TANT 1U0 35V 20%	26486-209F
C179	CAP PETP 22N 63V 10%	26582-431J
C180	CAP PETP 22N 63V 10%	26582-431J
C181	CAP CER 1P8 63V .25P	26343-490M

Circuit Ref.	Description	Part Number
Unit AB1/1 - RF PROCESSING (Contd.)		
D1	DI V/CAP BB405B 3V 11.5PF	28381-101V
D2	DI PIN 5082-3379 50V !	28383-997T
D3	DI PIN 5082-3379 50V !	28383-997T
D4	DI PIN 5082-3379 50V !	28383-997T
D5	DI V/CAP BB809 3V 29PF	28381-132G
D6	DI V/CAP BB809 3V 29PF	28381-132G
D7	DI V/CAP BB809 3V 29PF	28381-132G
D8	DI SIL BA482 35V JUNC	28335-675R
D9	DI SIL BA482 35V JUNC	28335-675R
D10	DI SIL BA482 35V JUNC	28335-675R
D11	DI SIL BA482 35V JUNC	28335-675R
D12	DI V/CAP BB405B 3V 11.5PF	28381-101V
D13	DI V/CAP BB405B 3V 11.5PF	28381-101V
D14	DI SIL BA482 35V JUNC	28335-675R
D15	DI SIL BA482 35V JUNC	28335-675R
D16	DI SIL BA482 35V JUNC	28335-675R
D17	DI SIL BA482 35V JUNC	28335-675R
D18	DI SIL BA482 35V JUNC	28335-675R
D20	DI SIL BA482 35V JUNC	28335-675R
D21	DI PIN 5082-3379 50V !	28383-997T
D22	DI PIN 5082-3379 50V !	28383-997T
D23	DI SIL BA482 35V JUNC	28335-675R
D24	DI H/CARR HP5082-2811 1.0V !	28349-008U
D25	DI SIL BA482 35V JUNC	28335-675R
D26	DI SIL BA482 35V JUNC	28335-675R
D27	DI H/CARR 5082-2080 MATCHED QUAD !	44529-106X
D28	DI H/CARR 5082-2080 " " !	44529-106X
D29	DI H/CARR 5082-2080 " " !	44529-106X
D30	DI H/CARR 5082-2080 " " !	44529-106X
D31	DI SIL BA482 35V JUNC	28335-675R
D32	DI SIL BA482 35V JUNC	28335-675R
D33	DI H/CARR 5082-2826 MATCHED PAIR !	44529-057F
D44	DI H/CARR 5082-2826 " " !	44529-057F
D35	DI V/CAP BB809 3V 29PF	28381-132G
D36	DI V/CAP BB809 3V 29PF	28381-132G
D37	DI V/CAP BB809 3V 29PF	28381-132G
D38	DI PIN 5082-3379 50V !	28383-997T
D39	DI PIN 5082-3379 50V !	28383-997T
D40	DI PIN 5082-3379 50V !	28383-997T
D41	DI PIN 5082-3379 50V !	28383-997T
D42	DI H/CARR 5082-2826 MATCHED PAIR !	44529-057F
D43	DI H/CARR 5082-2826 " " !	44529-057F
D45	DI SIL 1N4148 75V JUNC	28336-676J
D46	DI SIL 1N4148 75V JUNC	28336-676J
D47	DI SIL 1N4148 75V JUNC	28336-676J

Circuit Ref.	Description	Part Number
Unit AB1/1 - RF PROCESSING (Contd.)		
D48	DI SIL 1N4148 75V JUNC	28336-676J
D49	DI SIL 1N4148 75V JUNC	28336-676J
D50	DI SIL 1N4148 75V JUNC	28336-676J
D51	DI ZEN BZX79C6V8 6.8V 5%	28371-550W
D52	DI RECT BAV99 70V DOUBLE SOT23	28383-903X
D53	DI ZEN BZX79C6V8 6.8V 5%	28371-550W
D54	DI SIL 1N4148 75V JUNC	28336-676J
D55	DI SIL 1N4148 75V JUNC	28336-676J
D56	DI SIL 1N4148 75V JUNC	28336-676J
D57	DI SIL 1N4148 75V JUNC	28336-676J
IC1	MOD HYB OM345 VHF/UHF AMP SIL	28461-351Z
IC2	MOD HYB OM345 VHF/UHF AMP SIL	28461-351Z
IC3	MOD HYB OM345 VHF/UHF AMP SIL	28461-351Z
IC4	ICD INV 74LS04 HEX	28469-171L
IC5	ICD NAND 7438 QUAD 2INP O/C BF	28466-334X
IC6	ICD NAND 74LS26 QUAD 2INP HV	28466-350U
IC7	MOD HYB OM345 VHF/UHF AMP SIL	28461-351Z
IC8	MOD HYB OM345 VHF/UHF AMP SIL	28461-351Z
IC9	MOD HYB OM345 VHF/UHF AMP SIL	28461-351Z
IC10	MOD HYB OM345 VHF/UHF AMP SIL	28461-351Z
IC11	ICD FF-D SP9131 DUAL M/SLAVE	28462-112V
IC12	ICA AMP TL072CP DUAL FET I/P	28461-348Z
IC13	MOD HYB OM360 40-860MHZ AMP	28461-366W
IC14	MOD HYB OM345 VHF/UHF AMP SIL	28461-351Z
IC15	ICA AMP TL072CP DUAL FET I/P	28461-348Z
L1	- PRINTED COMPONENT -	02022-530/
L2	- PRINTED COMPONENT -	02022-530/
L3	- PRINTED COMPONENT -	02022-530/
L4	- PRINTED COMPONENT -	02022-530/
L5	IND CHOKE 2U2 10% MINIATURE	23642-420F
L6	- PRINTED COMPONENT -	02022-530/
L7	IND CHOKE 2U2 10% MINIATURE	23642-420F
L8	- PRINTED COMPONENT -	02022-530/
L9	IND CHOKE .47UH 10% LAQ	23642-547Y
L10	- PRINTED COMPONENT -	02022-530/
L11	- PRINTED COMPONENT -	02022-530/
L12	- PRINTED COMPONENT -	02022-530/
L14	- PRINTED COMPONENT -	02022-530/
L15	- PRINTED COMPONENT -	02022-530/
L16	IND CHOKE .47UH 10% LAQ	23642-547Y
L17	IND CHOKE 2.2UH 10% LAQ	23642-551N
L18	IND CHOKE .68UH 10% LAQ	23642-548N
L19	IND CHOKE .47UH 10% LAQ	23642-547Y
L20	- PRINTED COMPONENT -	02022-530/
L21	- PRINTED COMPONENT -	02022-530/

Circuit Ref.	Description	Part Number
Unit AB1/1 - RF PROCESSING (Contd.)		
L22	- PRINTED COMPONENT -	02022-530/
L23	- PRINTED COMPONENT -	02022-530/
L24	IND CHOKE 2.2UH 10% LAQ	23642-551N
L25	IND CHOKE .47UH 10% LAQ	23642-547Y
L26	IND CHOKE 2U2 10% MINIATURE	23642-420F
L27	IND CHOKE 2.2UH 10% LAQ	23642-551N
L28	IND CHOKE 2.2UH 10% LAQ	23642-551N
L30	IND CHOKE .22UH 10% LAQ	23642-545E
L31	IND RF-7T	44290-952R
L33	IND CHOKE 2U2 10% MINIATURE	23642-420F
L34	IND CHOKE 2.2UH 10% LAQ	23642-551N
L35	IND CHOKE 2.2UH 10% LAQ	23642-551N
L36	IND CHOKE 2U2 10% MINIATURE	23642-420F
L37	IND CHOKE .047UH MINATURE	23624-044S
L38	- PRINTED COMPONENT -	02022-530/
L39	- PRINTED COMPONENT -	02022-530/
L40	IND RF-7T	44290-952R
L41	- PRINTED COMPONENT -	02022-530/
PLAD	TERM C/PIN 0.64SQX6 S/E REEL	23435-188V
R1	RES MF 1K0 .25W 2% 100PPM	24773-273A
R2	RES MF 1K0 .25W 2% 100PPM	24773-273A
R3	RES MF 100R .25W 2% 100PPM	24773-249J
R4	RES MF 68K .25W 2% 100PPM	24773-317N
R5	RES MF 100R .25W 2% 100PPM	24773-249J
R6	RES MF 47R .25W 2% 100PPM	24773-241A
R7	RES MF 47R .25W 2% 100PPM	24773-241A
R8	RES MF 10K .25W 2% 100PPM	24773-297M
R9	RES MF 4K7 .25W 2% 100PPM	24773-289W
R10	RES MF 3K0 .25W 2% 100PPM	24773-284J
R11	RES MF 3K0 .25W 2% 100PPM	24773-284J
R12	RES MF 4K7 .25W 2% 100PPM	24773-289W
R13	RES MF 1K0 .25W 2% 100PPM	24773-273A
R14	RES MF 2K2 .25W 2% 100PPM	24773-281Y
R15	RES MF 22R .25W 2% 100PPM	24773-233M
R16	RES MF 10R .125W 2% 100PPM	24772-025L
R17	RES MF 10K .25W 2% 100PPM	24773-297M
R18	RES MG 4M7 .25W 5%	24321-881F
R19	RES MF 1K0 .25W 2% 100PPM	24773-273A
R20	RES MF 220R .25W 2% 100PPM	24773-257W
R21	RES MF 47K .25W 2% 100PPM	24773-313H
R22	RES MF 1M0 .25W 2% 100PPM	24773-346E
R23	RES MF 1M0 .25W 2% 100PPM	24773-346E
R24	RES MF 100R .25W 2% 100PPM	24773-249J
R25	RES MF 2K2 .25W 2% 100PPM	24773-281Y
R26	RES MF 10K .25W 2% 100PPM	24773-297M
R27	RES CC 43R .125W 5%	24331-995C
R28	RES MF 470R .25W 2% 100PPM	24773-265M
R29	RES MF 100R .25W 2% 100PPM	24773-249J
R30	RES MF 100R .25W 2% 100PPM	24773-249J

Circuit Ref.	Description	Part Number
Unit AB1/1 - RF PROCESSING (Contd.)		
R31	RES MF 100R .25W 2% 100PPM	24773-249J
R32	RES CC 22R .125W 5%	24331-988T
R33	RES CC 22R .125W 5%	24331-988T
R34	RES CC 10R .125W 5%	24331-974U
R35	RES MF 100R .25W 2% 100PPM	24773-249J
R36	RES MF 10K .25W 2% 100PPM	24773-297M
R37	RES CC 56R .125W 5%	24331-944N
R38	RES MF 470R .25W 2% 100PPM	24773-265M
R39	RES MF 100R .25W 2% 100PPM	24773-249J
R40	RES MF 100R .25W 2% 100PPM	24773-249J
R41	RES MF 100R .25W 2% 100PPM	24773-249J
R42	RES CC 22R .125W 5%	24331-988T
R43	RES CC 22R .125W 5%	24331-988T
R44	RES CC 10R .125W 5%	24331-974U
R45	RES MF 100R .25W 2% 100PPM	24773-249J
R46	RES MF 100R .25W 2% 100PPM	24773-249J
R47	RES MF 100R .25W 2% 100PPM	24773-249J
R48	RES MF 100R .25W 2% 100PPM	24773-249J
R49	RES MF 100R .25W 2% 100PPM	24773-249J
R50	RES MF 10R .25W 2% 100PPM	24773-225W
R51	RES MF 10K .25W 2% 100PPM	24773-297M
R52	RES MF 2K2 .25W 2% 100PPM	24773-281Y
R53	RES MF 2K2 .25W 2% 100PPM	24773-281Y
R54	RES MF 2K2 .25W 2% 100PPM	24773-281Y
R55	RES MF 2K2 .25W 2% 100PPM	24773-281Y
R56	RES MF 100R .25W 2% 100PPM	24773-321L
R57	RES MF 4K7 .25W 2% 100PPM	24773-289W
R58	RES MF 330R .25W 2% 100PPM	24773-261D
R59	RES MF 270R .25W 2% 100PPM	24773-259T
R60	RES MF 330R .25W 2% 100PPM	24773-261D
R61	RES MF 270R .25W 2% 100PPM	24773-259T
R62	RES MF 4K7 .25W 2% 100PPM	24773-289W
R63	RES MF 100K .25W 2% 100PPM	24773-321L
R64	RES MF 100K .25W 2% 100PPM	24773-321L
R66	RES MF 2K2 .25W 2% 100PPM	24773-281Y
R67	RES MF 4K7 .25W 2% 100PPM	24773-289W
R68	RES MF 2K2 .25W 2% 100PPM	24773-281Y
R69	RES MF 62R .25W 2% 100PPM	24773-244E
R70	RES CC 51R .125W 5%	24331-989P
R72	RES CC 1R .125W 5%	24772-001S
R74	RES MF 2K2 .25W 2% 100PPM	24773-281Y
R75	RES MF 1K0 .25W 2% 100PPM	24773-273A
R76	RES MF 4K7 .25W 2% 100PPM	24773-289W

Circuit Ref.	Description	Part Number
Unit AB1/1 - RF PROCESSING (Contd.)		
R77	RES MF 2K2 .25W 2% 100PPM	24773-281Y
R78	RES MF 270R .25W 2% 100PPM	24773-259T
R79	RES MF 270R .25W 2% 100PPM	24773-259T
R80	RES CC 47R .125W 5%	24331-975Y
R81	RES MF 47K .25W 2% 100PPM	24773-313H
R82	RES MF 220K .25W 2% 100PPM	24773-329T
R89	RES MF 1K0 .25W 2% 100PPM	24773-273A
R90	RES MF 2K0 .25W 2% 100PPM	24773-280U
R91	RES MF 2K2 .25W 2% 100PPM	24773-281Y
R92	RES MF 2K2 .25W 2% 100PPM	24773-281Y
R93	RES MF 220R .25W 2% 100PPM	24773-257W
R97	RES MF 47K .125W 2% 100PPM	24772-113C
R98	RES MF 100R .125W 2% 100PPM	24772-049H
R99	RES MF 470R .25W 2% 100PPM	24773-265M
R100	RES MF 100K .25W 2% 100PPM	24773-321L
R101	RV CERM 100K LI .5W 10%	25711-644W
R102	RES MF 4K7 .25W 2% 100PPM	24773-289W
R103	RES MG 10M .25W 5%	24321-885W
R104	RES MF 470K .25W 2% 100PPM	24773-337R
R105	RES MF 470K .25W 2% 100PPM	24773-337R
R106	RES MG 10M .25W 5%	24321-885W
R107	RES MF 47K .125W 2% 100PPM	24772-113C
R108	RES MF 100K .25W 2% 100PPM	24773-321L
R109	RES MF 220R .25W 2% 100PPM	24773-257W
R110	RES MF 10K .25W 2% 100PPM	24773-297M
R111	RES MF 2K2 .25W 2% 100PPM	24773-281Y
R112	RES MF 2K2 .25W 2% 100PPM	24773-281Y
R113	RES MF 220R .25W 2% 100PPM	24773-257W
R114	RES MF 6K2 .25W 2% 100PPM	24773-292W
R116	RES MF 470K .25W 2% 100PPM	24773-337R
R118	RES MF 470K .25W 2% 100PPM	24773-337R
R119	RES MF 100R .25W 2% 100PPM	24773-249J
R120	RES MF 4K7 .25W 2% 100PPM	24773-289W
R121	RES MF 1K5 .25W 2% 100PPM	24773-277U
R122	RES MF 50R0 .25W 1% 100PPM	24762-558R
R123	RES MF 50R0 .25W 1% 100PPM	24762-558R
R124	RES MF 5K1 .1W 1% 100PPM	24421-598W
R125	RES CC 100R .125W 5%	24331-997B
R126	RES MF 3K0 .25W 2% 100PPM	24773-284J
R127	RES MF 12K .25W 2% 100PPM	24773-299R
R128	RES MF 4K7 .25W 2% 100PPM	24773-289W
R129	RES MF 4K7 .25W 2% 100PPM	24773-289W
R130	RES MF 51R .25W 2% 100PPM	24773-242Z
R131	RES MF 1K0 .25W 2% 100PPM	24773-273A
R132	RES MF 33R .25W 2% 100PPM	24773-237K

Circuit Ref.	Description	Part Number
Unit AB1/1 - RF PROCESSING (Contd.)		
R133	RES MF 22R .25W 2% 100PPM	24773-233M
R134	RES MF 470R .25W 2% 100PPM	24773-265M
R135	RES MF 330R .25W 2% 100PPM	24773-261D
R136	RES MF 51R .25W 2% 100PPM	24773-242Z
R137	RES MF 130R .25W 2% 100PPM	24773-252J
R138	RES MF 22R .25W 2% 100PPM	24773-233M
R139	RES MF 22R .25W 2% 100PPM	24773-233M
R140	RES MF 10R .25W 2% 100PPM	24773-225W
R141	RES MF 27R .125W 2% 100PPM	24772-035D
R142	RES MF 10R .25W 2% 100PPM	24773-225W
R143	RES MF 3K9 .25W 2% 100PPM	24773-287V
R144	RES MF 1K1 .125W 2% 100PPM	24772-074M
R145	RES MF 2K0 .125W 2% 100PPM	24772-080B
R146	RES MF 68R .25W 2% 100PPM	24773-245U
R147	RES MF 510R .125W 2% 100PPM	24772-066W
R148	RES CC 150R .125W 5%	24331-990D
R149	RES MG 16R .125W 5%	24681-043E
R150	RES MG 16R .125W 5%	24681-043E
R151	RES CC 270R .125W 5%	24331-992P
R152	RES MF 510R .125W 2% 100PPM	24772-066W
R153	RES MF 160R .125W 2% 100PPM	24772-054U
R154	RES MF 2K0 .125W 2% 100PPM	24772-080B
R155	RES MF 8R2 .25W 2% 100PPM	24773-223V
R156	RES MG 16R .125W 2% 200PPM	24321-730B
R157	RES MG 16R .125W 2% 200PPM	24321-730B
R158	RES MF 4R7 .125W 2% 100PPM	24772-017H
R159	RES MF 100R .125W 2% 100PPM	24772-049H
R160	RES CC 4R7 .125W 5%	24331-985S
R161	RES MF 220R .125W 2% 100PPM	24772-057L
RLA	RELAY MAG 2CO 5V 100R	23486-146C
TR1	TR NJF J310 25V - 24MA	28459-028E
TR2	DI CUR-REG J510 50V 3.6MA TO92	28383-984Y
TR3	TR PSI 2N4959 30V 1G - LN AMP	28433-836K
TR4	TR PSI 2N4959 30V 1G - LN AMP	28433-836K
TR5	TR PSI BC308B 20V 130M - GEN	28433-455R
TR6	TR NSI BC208B 20V 150M - GEN	28452-781A
TR7	TR NSI BFR91A 12V 6G - AMP	28451-694H
TR8	TR PSI BC308B 20V 130M - GEN	28433-455R
TR9	TR NSI BC208B 20V 150M - GEN	28452-781A
TR10	TR NSI BFR91A 12V 6G - AMP	28451-694H
TR13	TR PSI BC308B 20V 130M - GEN	28433-455R
TR14	TR NSI BFR96S 15V 5G - AMP	28452-172N
TR15	TR NSI BFR96S 15V 5G - AMP	28452-172N
TR16	TR NSI BFR96S 15V 5G - AMP	28452-172N
TR17	TR NSI BFR96S 15V 5G - AMP	28452-172N

Circuit Ref.	Description	Part Number
Unit AB1/1 - RF PROCESSING (Contd.)		
TR18	TR PSI BC308B 20V 130M - GEN	28433-455R
TR19	TR NSI BFG96 15 5GHZ 150MA S	28452-156C
TR20	TR NSI MRF587 17V 5.5GHZ 200M	28452-231B
TR21	TR PSI BC308B 20V 130M - GEN	28433-455R
T1	TRANSFORMER ASSY (3.5 TURNS)	43590-140U
T4	TRANSFORMER ASSY (3.5 TURNS)	43590-140U
T5	TRANSFORMER ASSY (1.5 TURNS)	43590-143L
T6	-PRINTED COMPONENT -	02022-530/
X1	MOD RF TFM2 DOUBLE BAL MIXER	28531-003Z
Unit AC0 - ATTENUATOR		
15.	When ordering, prefix circuit reference with AC0	
	Complete unit	44429-029N
Unit AD0 - GPIB MODULE		
16.	When ordering, prefix circuit reference with AD0	
	Complete unit	54433-003N
MP1	SHROUD MOUNTING	35904-293P
MP2	SPACER SPECIAL ST/CD STUDMOUNT	33900-539L
Unit AD1 - GPIB PCB		
17.	When ordering, prefix circuit reference with AD1	
	Complete unit	44828-785H
C1	CAP PETP 470N 63V 10% RAD MIN	26582-427L
C2	CAP PETP 470N 63V 10% RAD MIN	26582-427L
C3	CAP CER 10N 50V 20% X7R MON AX	26346-120Y
C4	CAP CER 10N 50V 20% X7R MON AX	26346-120Y
C5	CAP CER 10N 50V 20% X7R MON AX	26346-120Y
C6	CAP CER 10N 50V 20% X7R MON AX	26346-120Y
C7	CAP CER 10N 50V 20% X7R MON AX	26346-120Y
C8	CAP CER 2N2 63V 10% PLATE	26383-587R
IC1	ICD INV 74LS14 HEX SCHM	28469-176S
IC2	ICD MP SUP 8291A GPIB TALK/LIS !	28467-014C
IC3	ICD BUFF 3448 QUAD GPIBTXRX 3S	28469-190R
IC4	ICD BUFF 3448 QUAD GPIBTXRX 3S	28469-190R
IC5	ICD BUFF 3448 QUAD GPIBTXRX 3S	28469-190R
IC6	ICD BUFF 3448 QUAD GPIBTXRX 3S	28469-190R
L1	IND CHOKE 100UH 10% LAQ	23642-561W
R1	RES MF 330R 1/4W 2% 100PPM	24773-261D

MECHANICAL COMPONENTS

2022C

18. Order without prefix.

Fig. 6-1
Item

Description

Part
Number

1	Button outer cover	35903-668Y
2	Front panel switch caps (see keyboard, Unit A1 for individual part numbers)	
3	Front panel, screen printed	35905-828P
4	Frame casting; front, painted	35890-084K
5	Plug	37590-293K
6	Foot	37590-224R
7	Top cover - stone grey	35904-009F
8	Rear frame casting	35890-101L
9	Rear foot	37590-840M
10	Side rail	34900-812Z
11	Selector plate	35902-441Z
12	GPIB blanking plate	35904-290W
13	Cap	37590-219M
14	Boss	37590-220P
15	Handle assembly	41700-239W
16	ARM	37590-222M
17	Flange	37590-221X
18	Spring washer	31119-045W

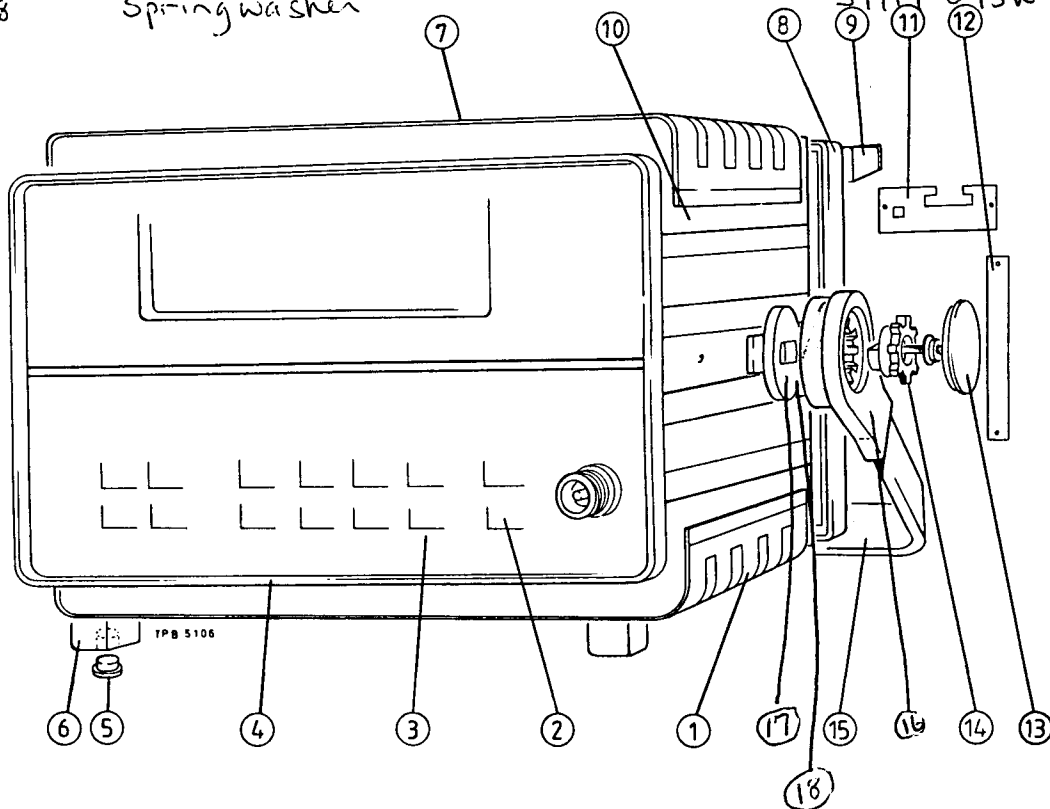


Fig. 6-1 Miscellaneous mechanical parts

37590 202M

Chapter 7

SERVICING DIAGRAMS

CONTENTS

Para.

- 1 Circuit notes
- 1 Component values
- 3 Symbols

Fig.	Unit	Title	Dwg. No.	Page
7-1	2022C	Frequency synthesis and signal processing simplified block diagram	Y52022-930X	3/4
7-2	A0/1	Basic module interconnections	Z52022-930X	5
7-3a	A1	Keyboard, component layout		6
7-3	A1	Display and keyboard	Z44828-781B	7
7-4a	A2/1	Power supply & control, component layout		8
7-4	A2/1	Power supply & control (sheet 1)	Z44829-474G	9/10
7-5	A2/1	Power supply & control (sheet 2)	Z44829-474G	11
7-6a	AA1	Synthesizer, component layout		12
7-6	AA1	Synthesizer	Z44828-786E	13
7-7a	AA2	Microprocessor, component layout		14
7-7	AA2	Microprocessor	Z44828-787U	15
7-8a	AB1/1	RF processing, component layout		16
7-8	AB1/1	RF processing	Z44829-492K	17
7-9a	AC1	Attenuator, component layout		18
7-9	AC0	Attenuator	Z44429-029N	19
7-10a	AD1	GPIB module, component layout		20
7-10	AD0	GPIB module	Z54433-003N	21/22

CIRCUIT NOTES**Component values**

1. Resistors : Code letter R = ohms, k = kilohms (10³), M = megohms (10⁶).

Capacitors : Code letter m = millifarads (10⁻³) μ = microfarads (10⁻⁶),
n = nanofarads (10⁻⁹), p = picofarads (10⁻¹²).

Inductors : Code letter H = henrys, m = millihenrys (10⁻³),
 μ = microhenrys (10⁻⁶), n = nanohenrys (10⁻⁹)

SIC : Value selected during test, nominal value shown.

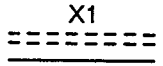
2. Components are marked normally with two, three or four figures according to the accuracy limit $\pm 10\%$, $\pm 1\%$ or $\pm 0.1\%$. The code letter used indicates the multiplier and replaces the decimal point.

Symbols

3. Symbols are based on the provisions of BS 3939 with the following additions:-



edge connector



ferrite bead



caution, see page (iv), servicing precautions



unit identification number

P

printed component

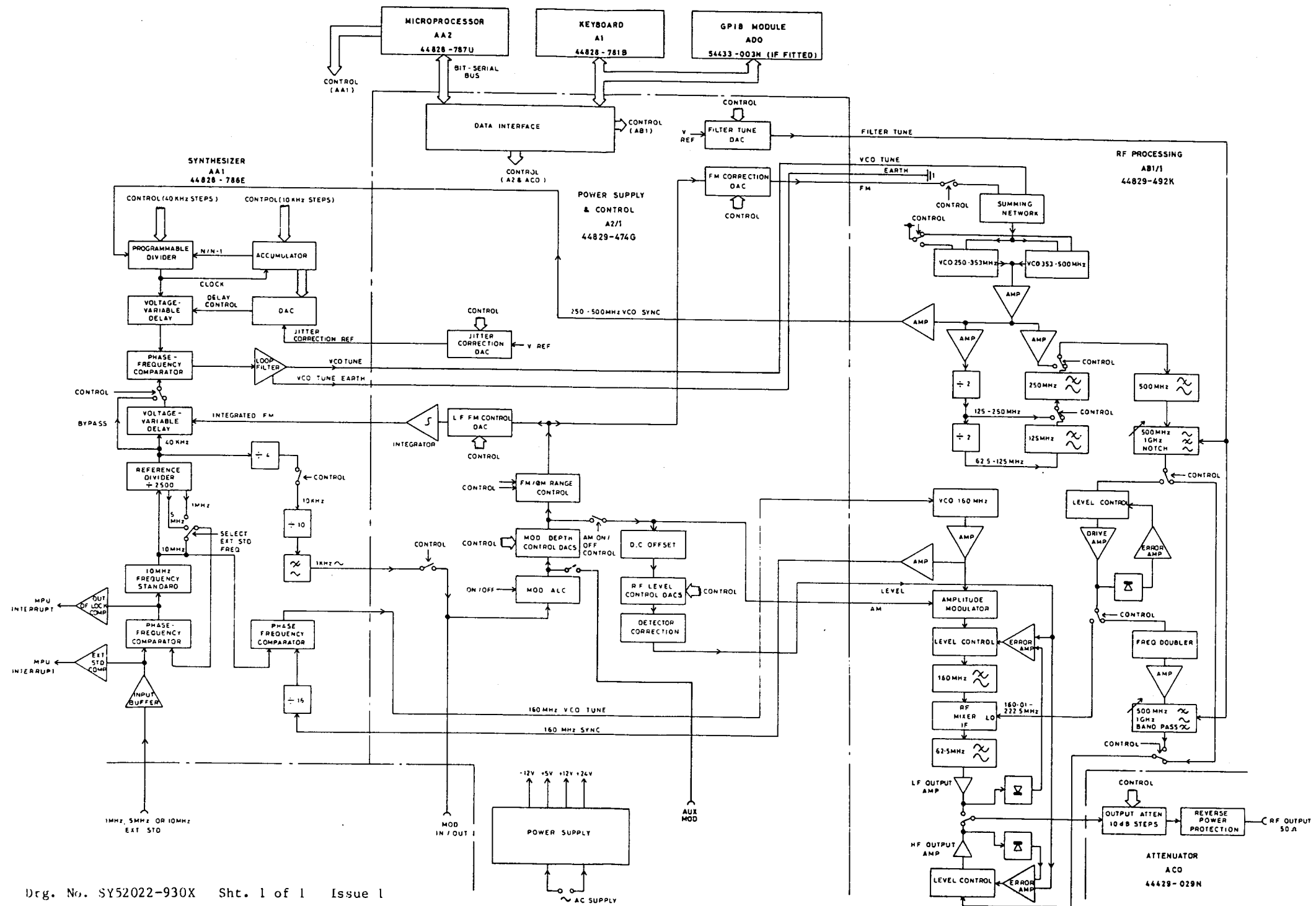
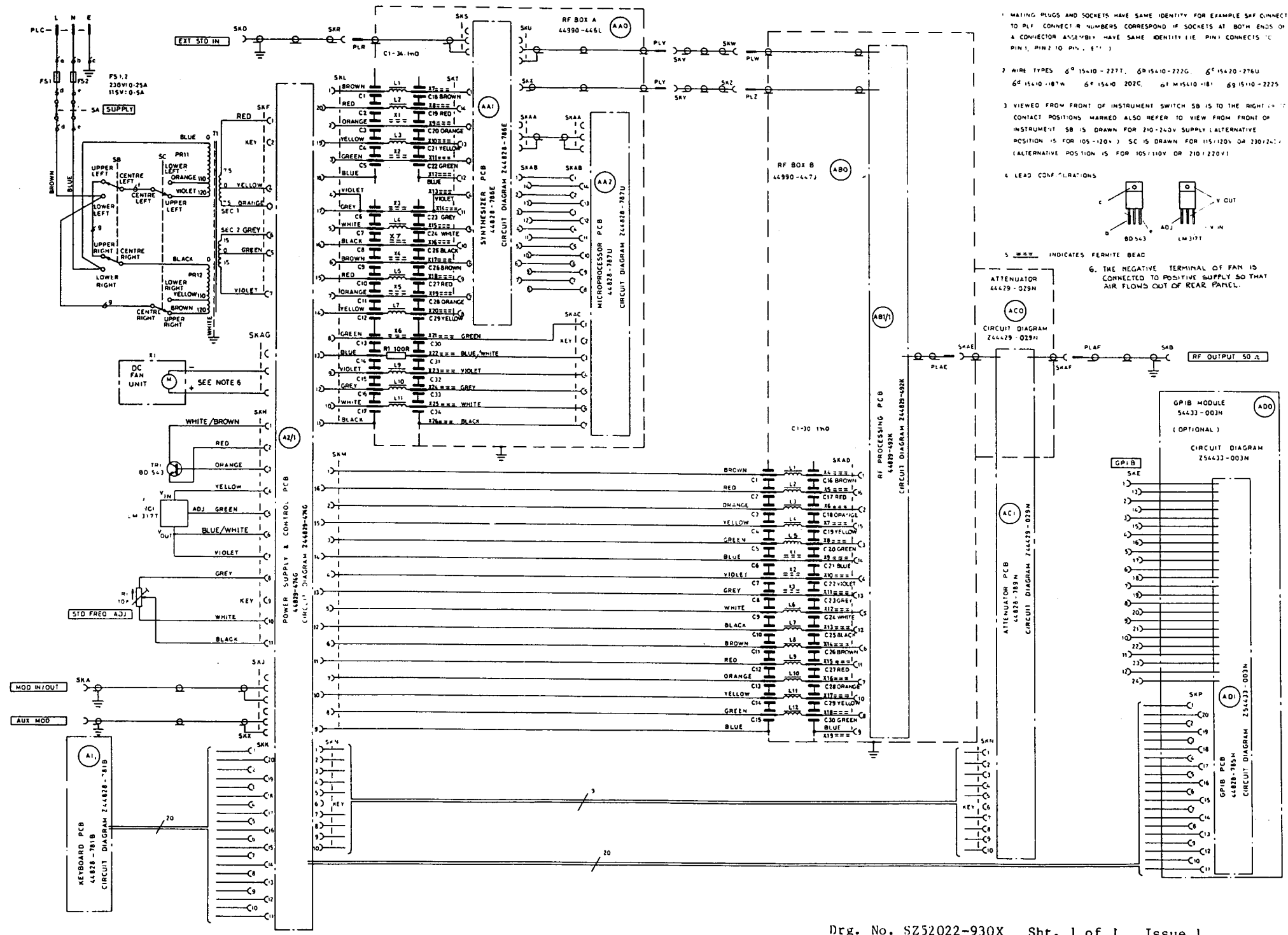


Fig. 7-1 2022C Frequency synthesis and signal processing simplified block diagram

SERVICING DIAGRAMS



Drg. No. SZ52022-930X Sht. 1 of 1 Issue 1

Fig. 7-2 Basic module interconnections, A011

SERVICING DIAGRAMS

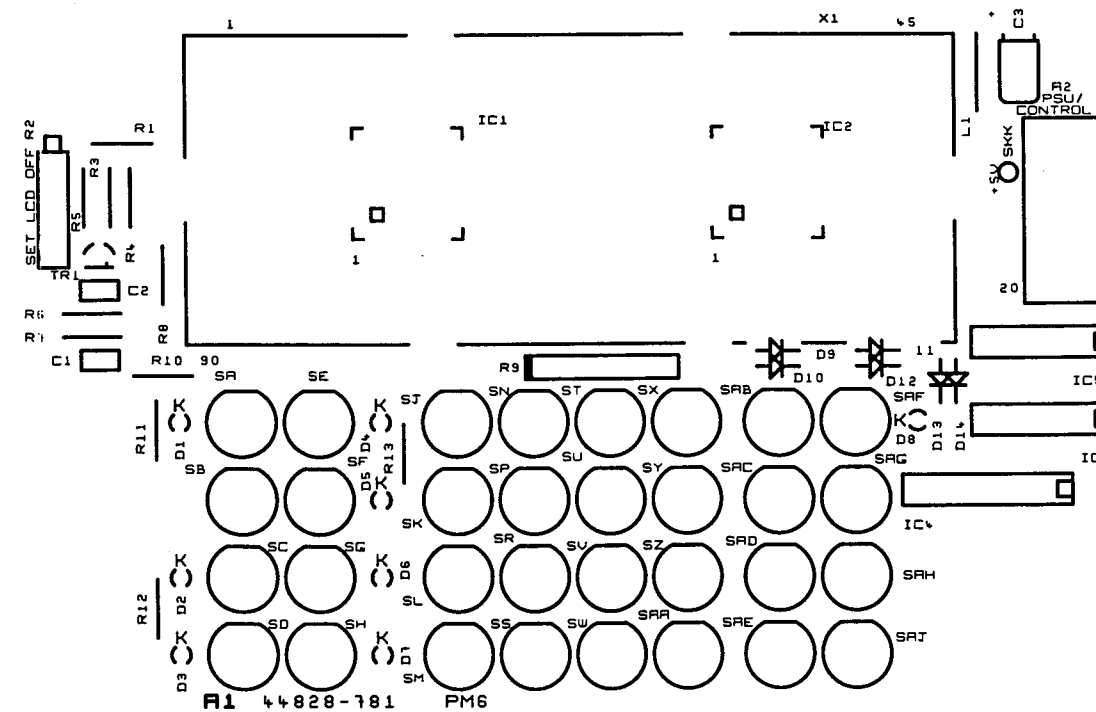
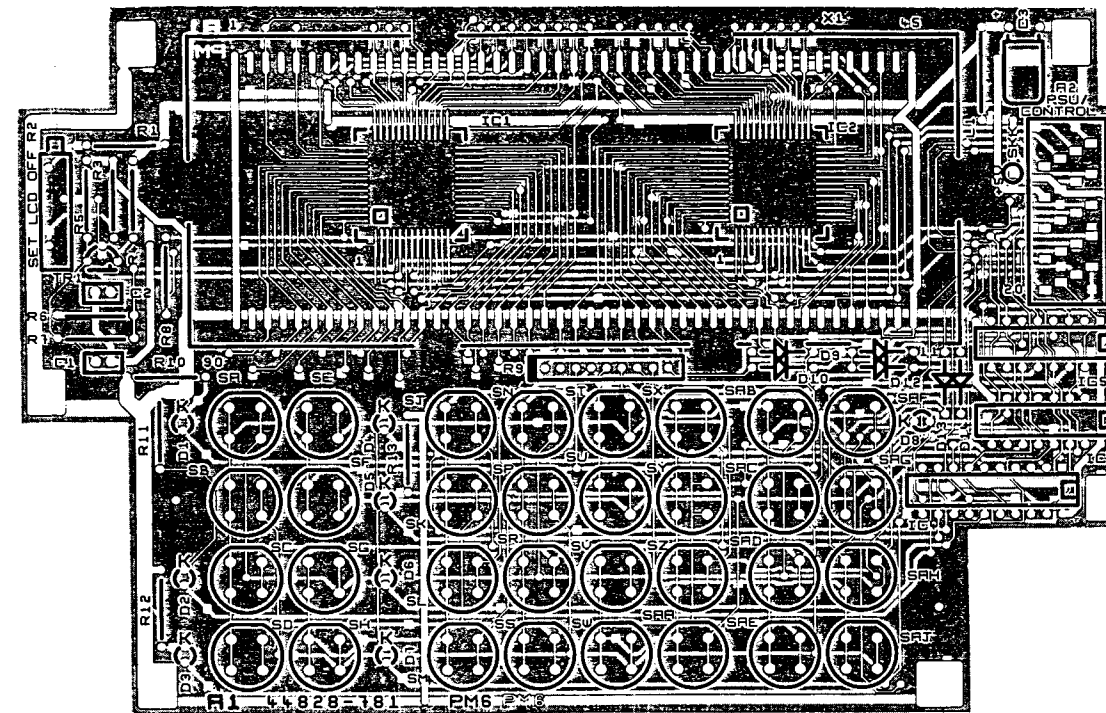
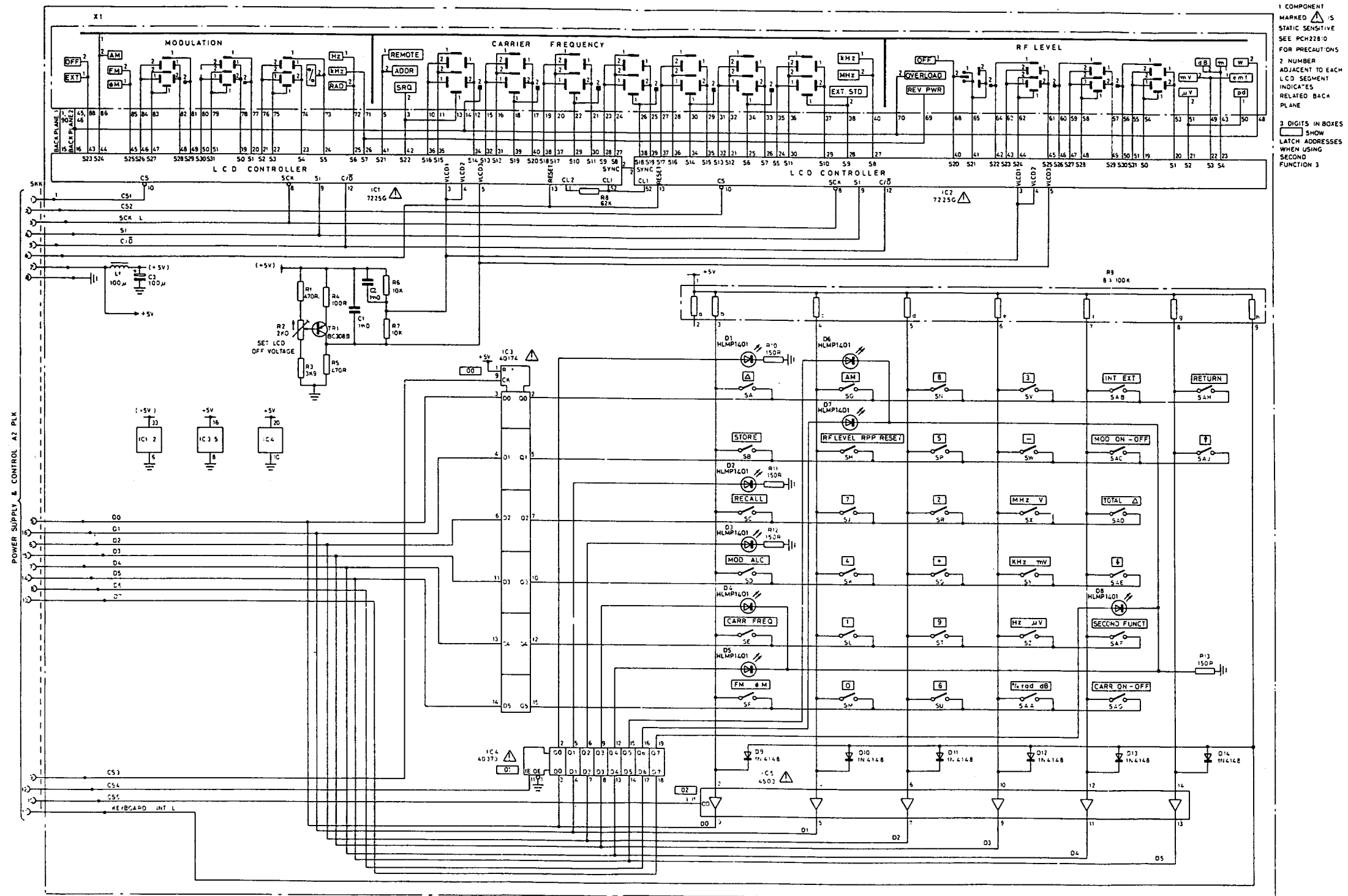


Fig. 7-3a
Page 6

Fig. 7-3a Keyboard component layout, A1

Fig. 7-3a
46881-847B
Sep. 87



1 COMPONENT MARKED Δ IS STATIC SENSITIVE SEE PCH228-0 FOR PRECAUTIONS
 2 NUMBER ADJACENT TO EACH LCD SEGMENT INDICATES RELATED BACK PLANE
 3 DIGITS IN BOXES SHOW LATCH ADDRESSES WHEN USING SECOND FUNCTION 3

Drg. No. SZ44829-503U Sht. 1 of 1 Issue 1

Fig. 7-3 Display and keyboard, A111

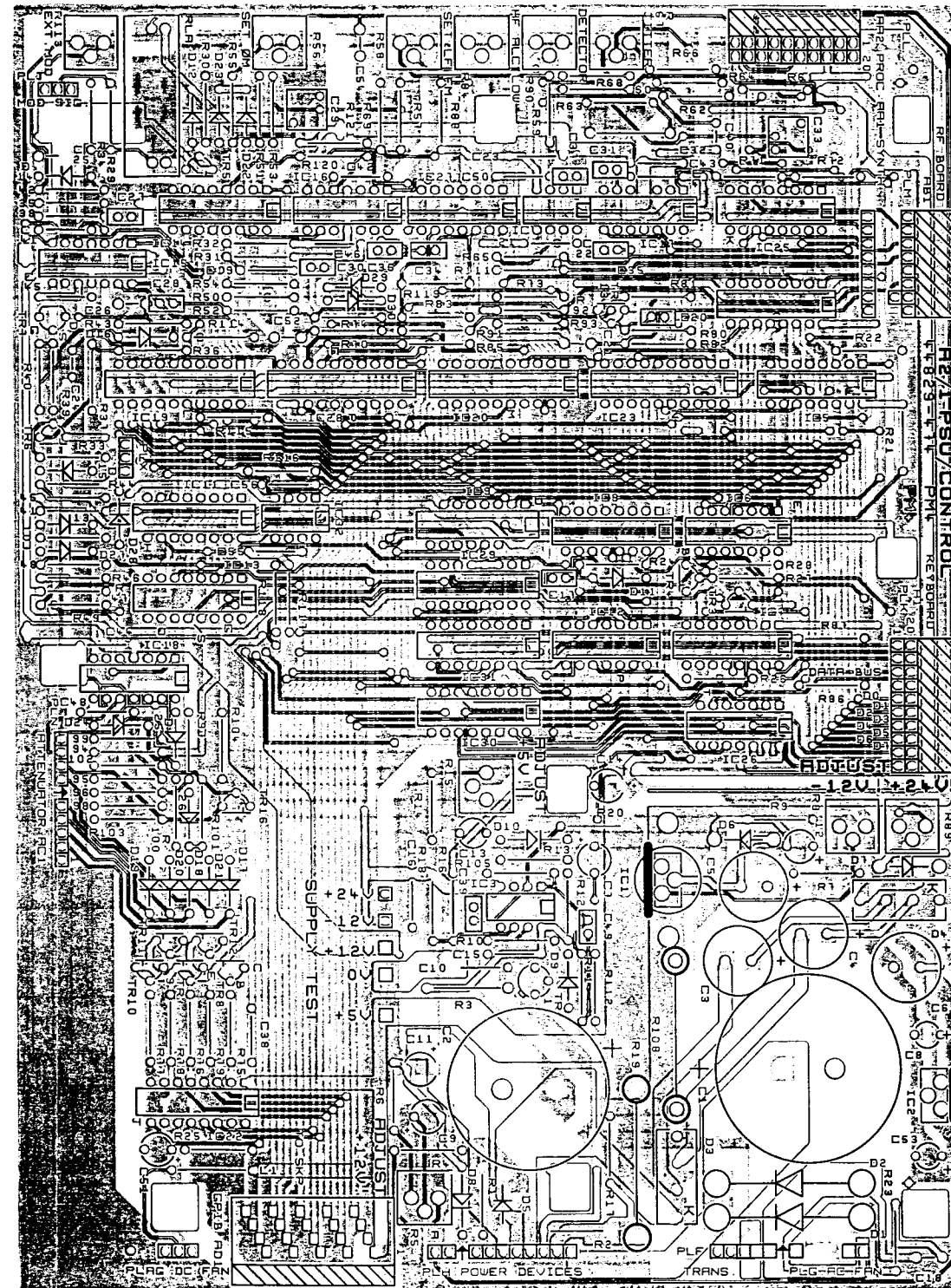
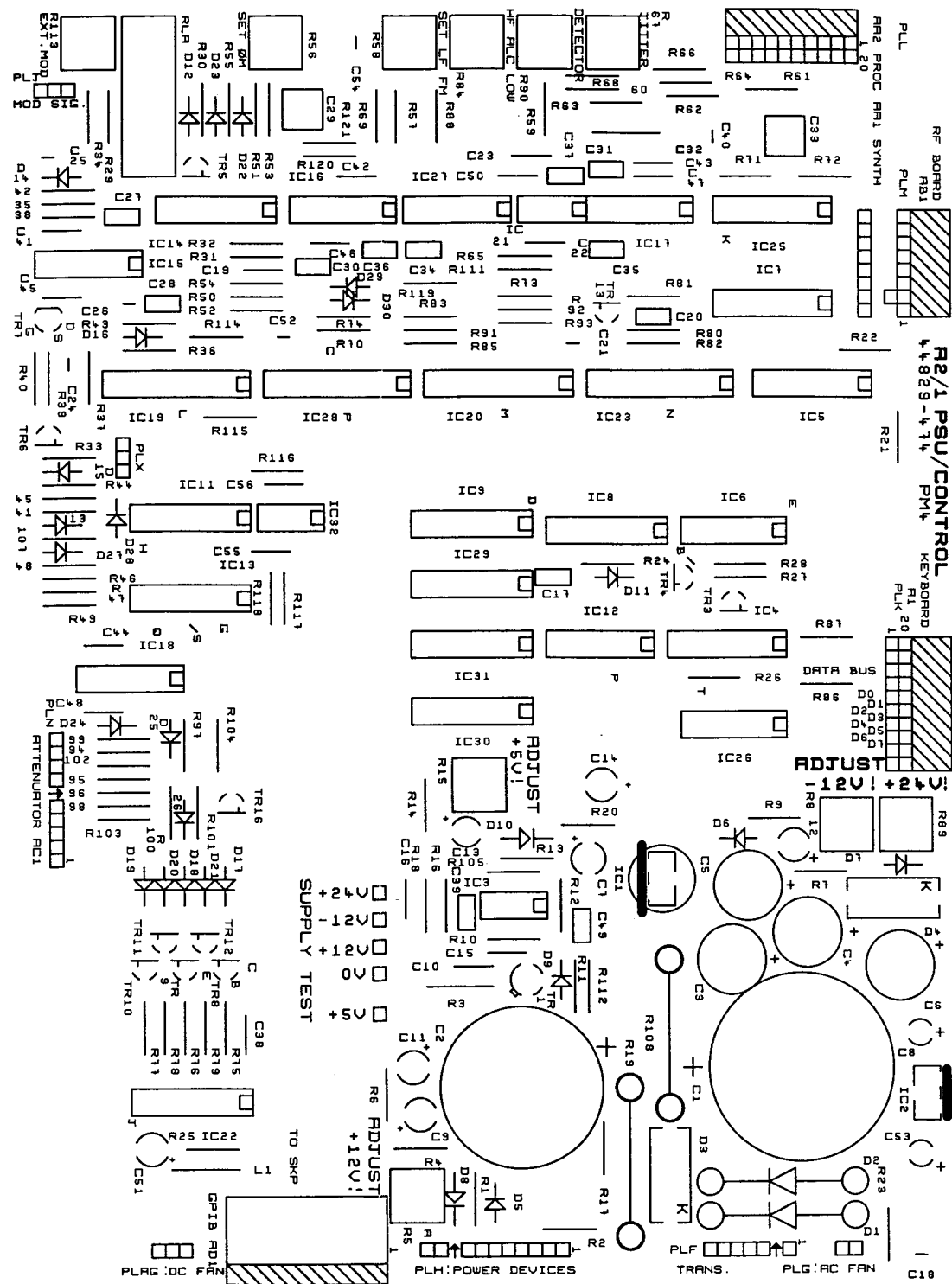
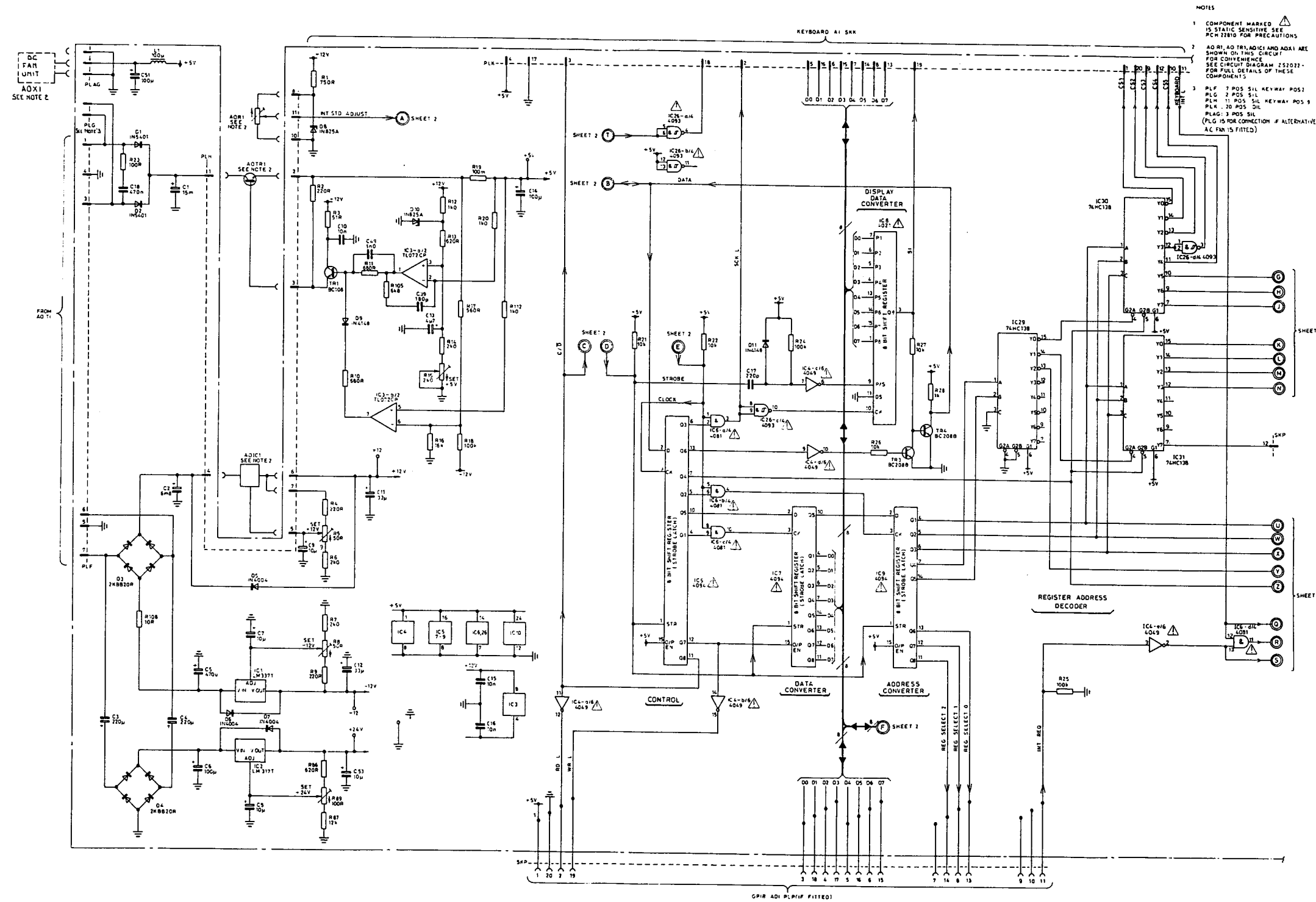


Fig. 7-4a
Page 8

Fig. 7-4a Power supply & control. component layout, A211

Fig. 7-4a
46881-847B
Sep. 87

SERVICING DIAGRAMS




NOTES
 1 COMPONENT MARKED Δ IS STATIC SENSITIVE SEE PCH 22810 FOR PRECAUTIONS
 2 AO R1, AO TR1, AO IC1 AND AO X1 ARE SHOWN ON THIS CIRCUIT FOR CONVENIENCE SEE CIRCUIT DIAGRAM 252022 FOR FULL DETAILS OF THESE COMPONENTS
 3 PLF 7 POS S1L KEYWAY POS 1
 PLG 2 POS S1L
 PLK 11 POS S1L KEYWAY POS 9
 PLK 20 POS D1L
 PLNG 3 POS S1L
 (PLG 15 FOR CONNECTION IF ALTERNATIVE A.C. FAN IS FITTED)

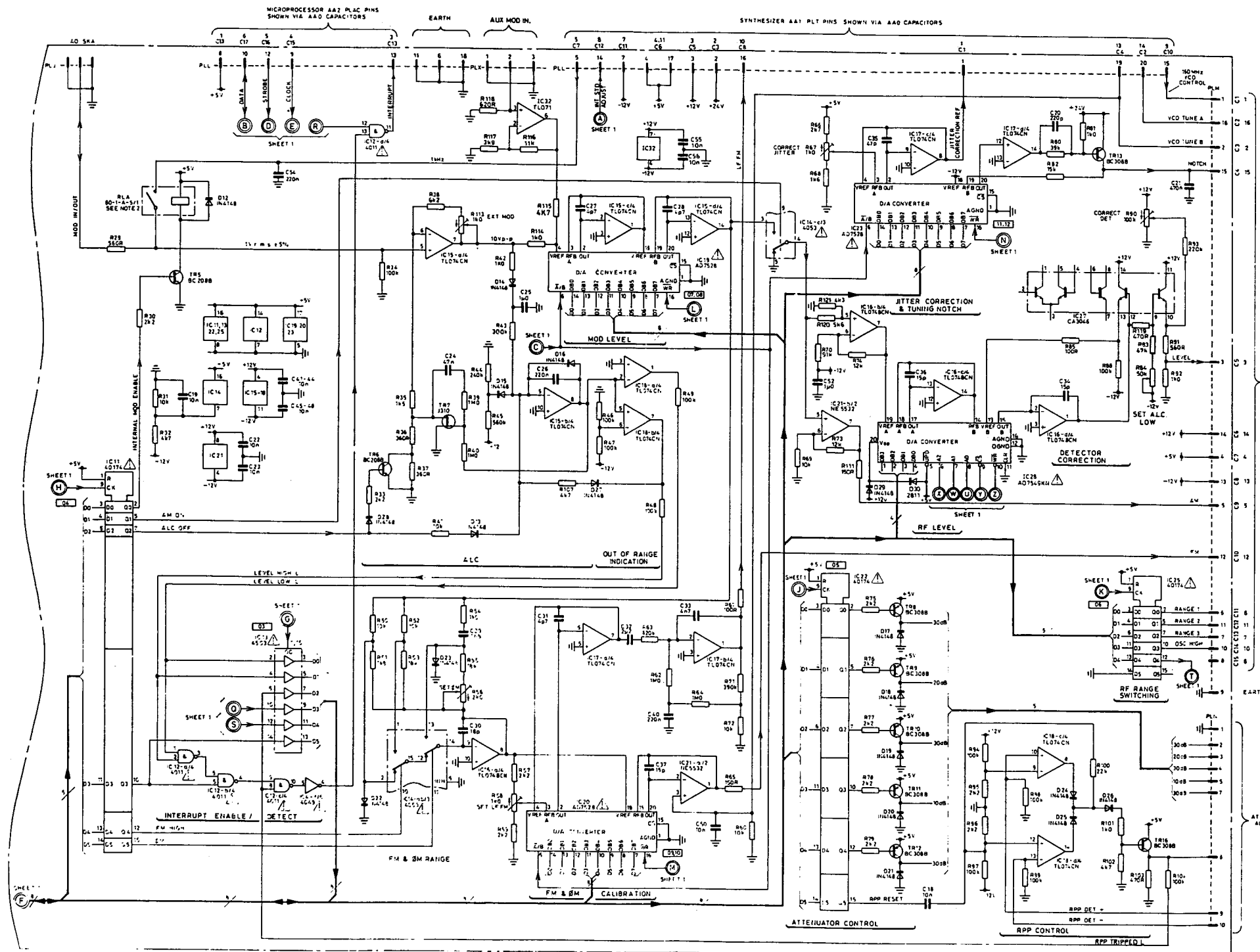
Drg. No. SZ44829-474G Sht. 1 of 2 Issue 2

Fig. 7-4 Power supply & control (Sheet 1), A2/1

SERVICING DIAGRAMS

NOTES

1. COMPONENT MARKED Δ IS STATIC SENSITIVE SEE PCH32810 FOR PRECAUTIONS
2.  RELAY 80-1-A-5/1 CONNECTIONS VIEWED FROM PIN SIDE. RELAY IS SHOWN IN NON-ENERGISED CONDITION
3. INTEGRATED CIRCUIT SWITCHES ARE SHOWN FOR CONTROLS IN LOGIC LOW CONDITION
4. PLJ 3 POS SIL
PLL 20 POS DIL
PLM 16 POS DIL
PLN 10 POS SIL
KEYWAY POS 5
5. DIGITS IN BOXES SHOW LATCH ADDRESSES WHEN USING SECOND FUNCTION 3



Drg. No. SZ44829-474G Sht. 2 of 2 Issue 4

Fig. 7-5 Power supply & control (Sheet 2), A2/1

Fig. 7-5
46881-847B
July 89 (Am. 3)

Fig. 7-5
Page 11

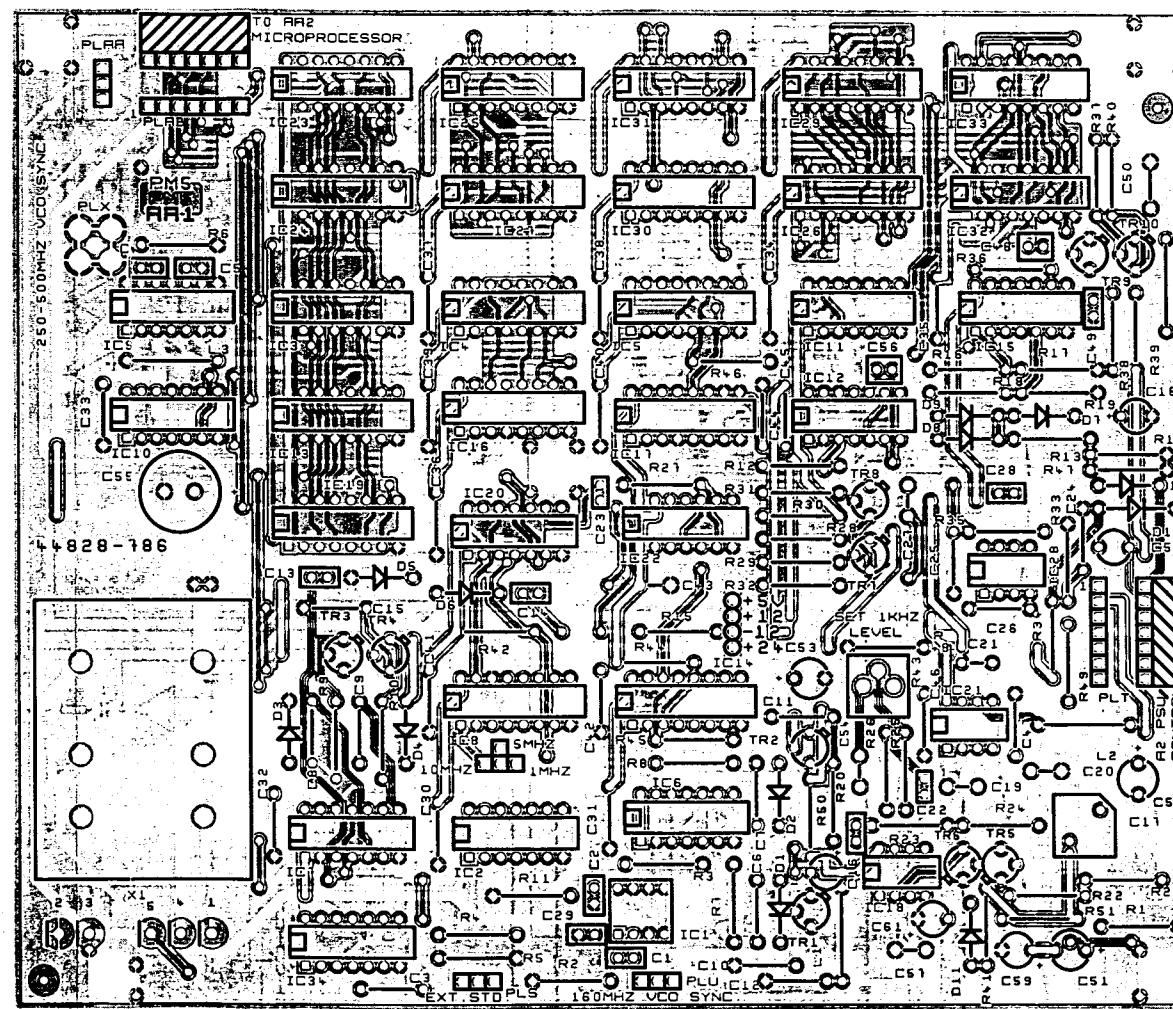
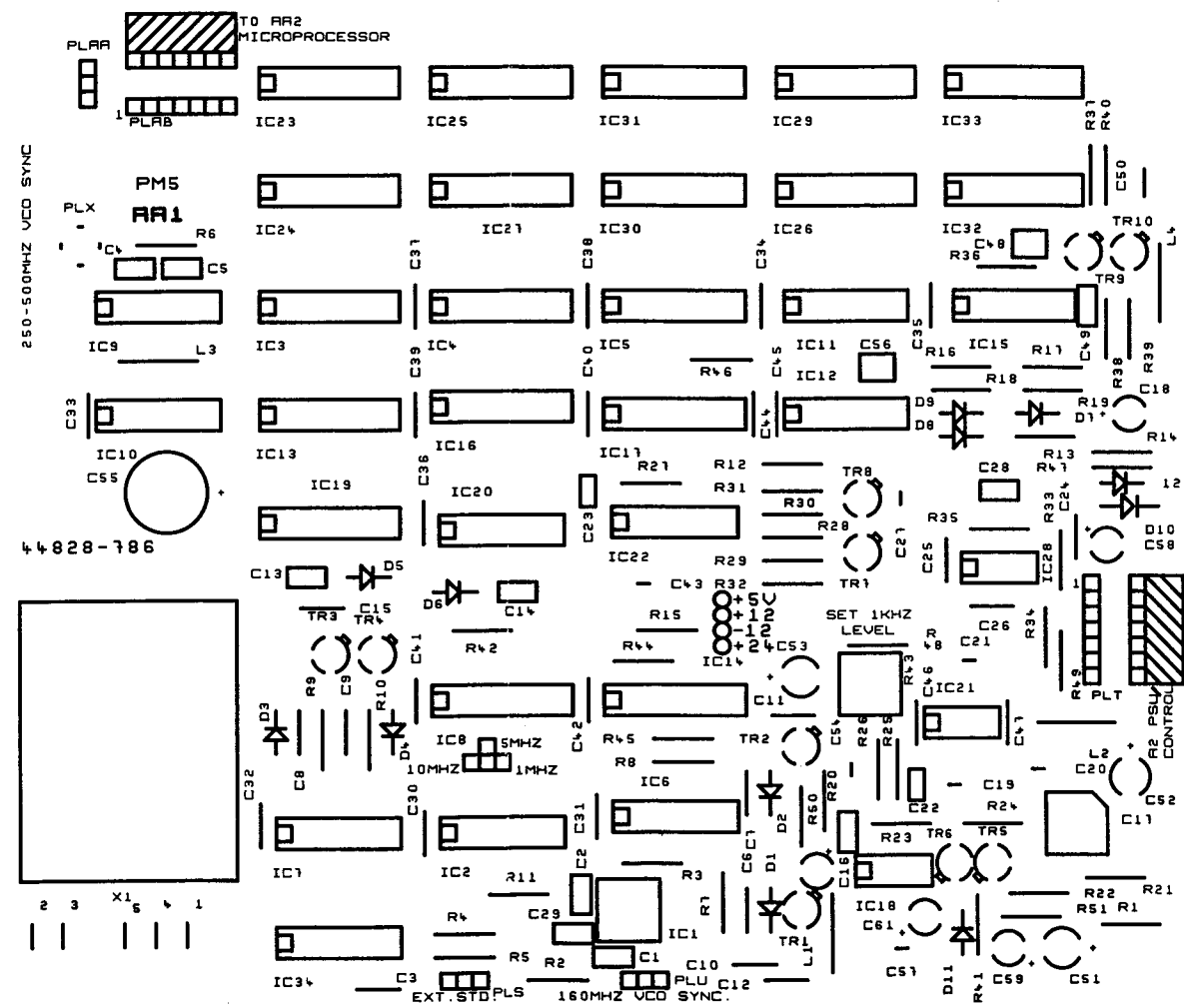
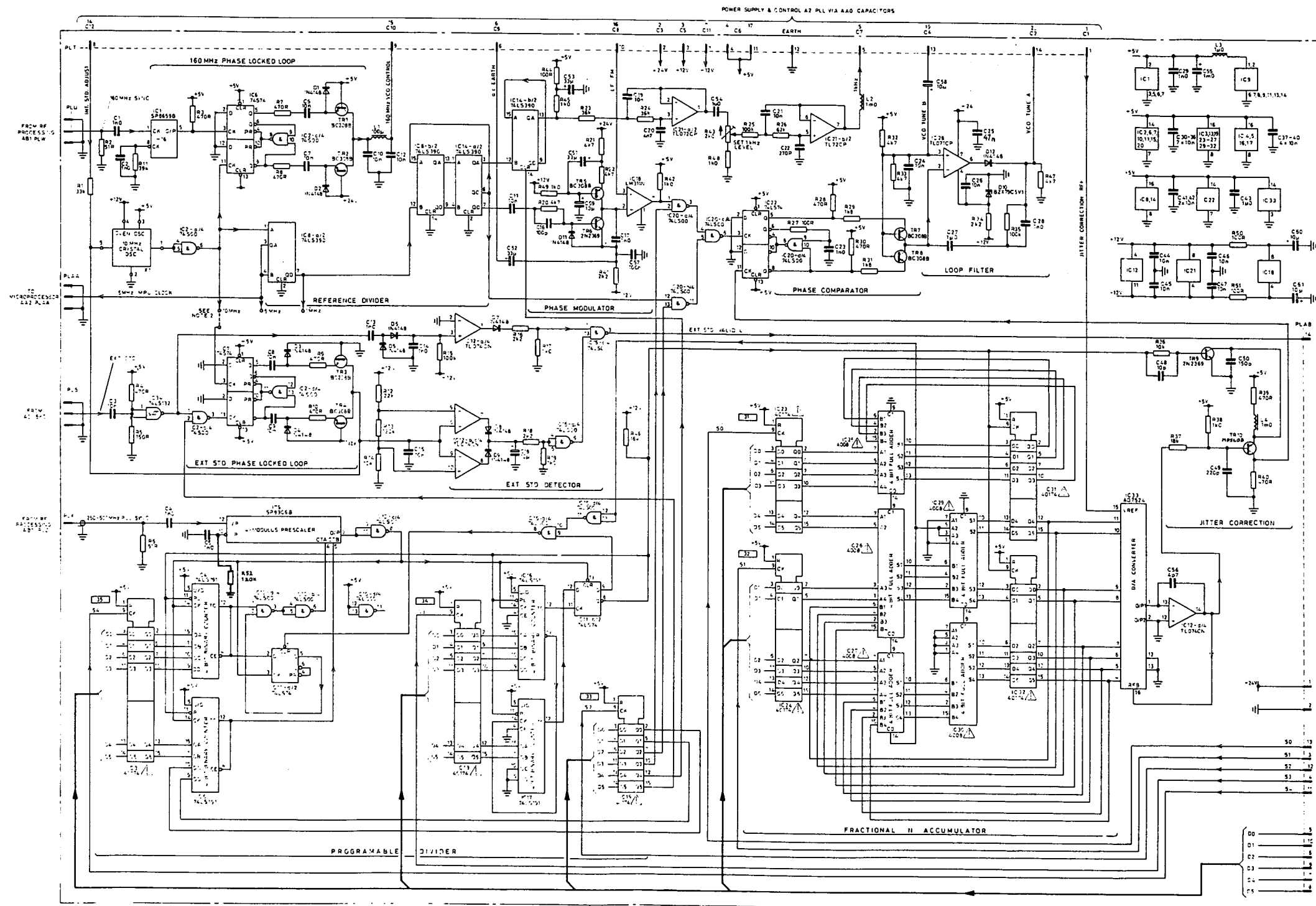


Fig. 7-6a
Page 12

Fig. 7-6a Synthesizer, component layout, AA1

Fig. 7-6a
46881-847B
Sep. 87



Drq. No. SZ 44828-786E Sht. 1 of 1, Iss. 16

Fig. 7-6 Synthesizer, AA1

Fig. 7-6
46881-847B
July 89 (Am. 3)

NOTES:
1. COMPONENT MARKINGS SHALL BE IDENTIFIED BY THE PART NUMBER.
2. ALL DIMENSIONS ARE IN MILLIMETERS UNLESS OTHERWISE SPECIFIED.
3. STANDARD TOLERANCES APPLY.
4. DIMENSIONS IN PARENTHESES ARE FOR REFERENCE ONLY.
5. DIGITS IN BOXES SHOW LATCH ADDRESSES WHEN USING SECOND FUNCTION.

Fig. 7-6

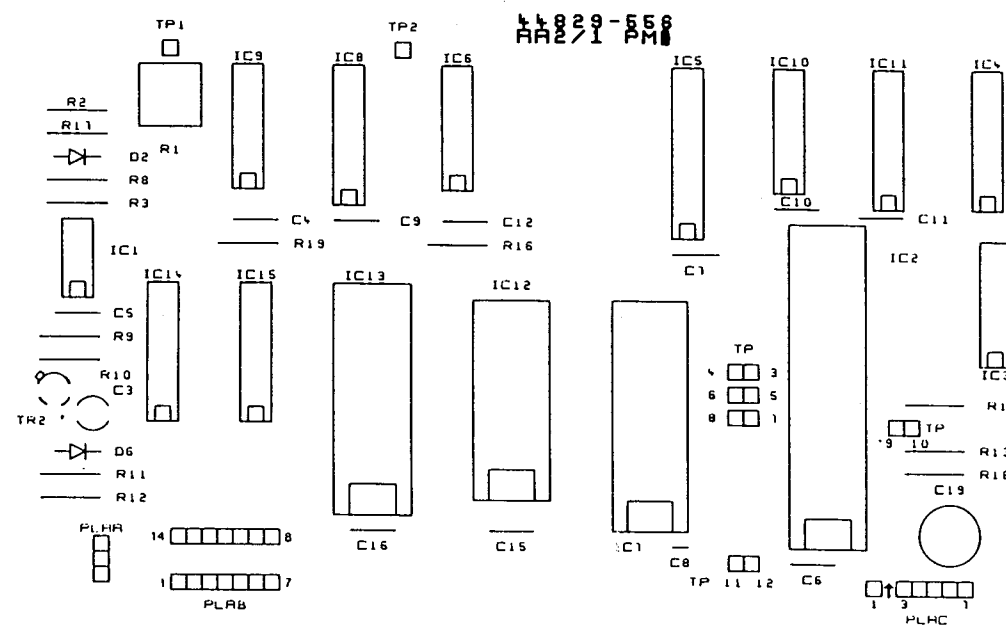
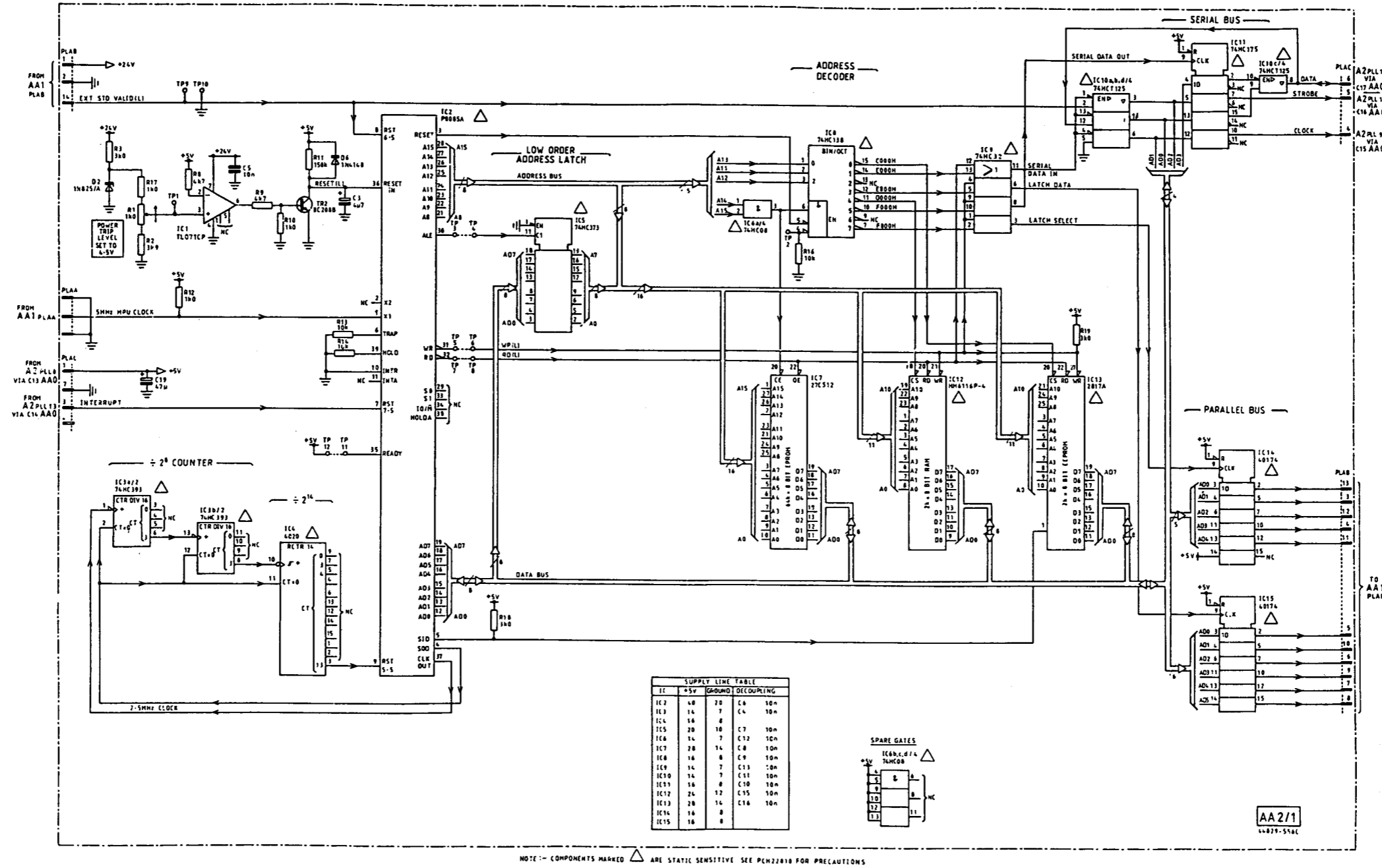


Fig. 7-7a
Page 14

Fig. 7-7a Microprocessor, component layout, (AA2/1)

Fig. 7-7a
46881-847B
July 89 (Am. 3)



Drg. No. Z44829-556C Sht. 1 of 1, Issue 1

Fig. 7-7 Microprocessor, AA2/1

Fig. 7-7
46881-847B
July 89 (Am. 3)

Fig. 7-7
Page 15

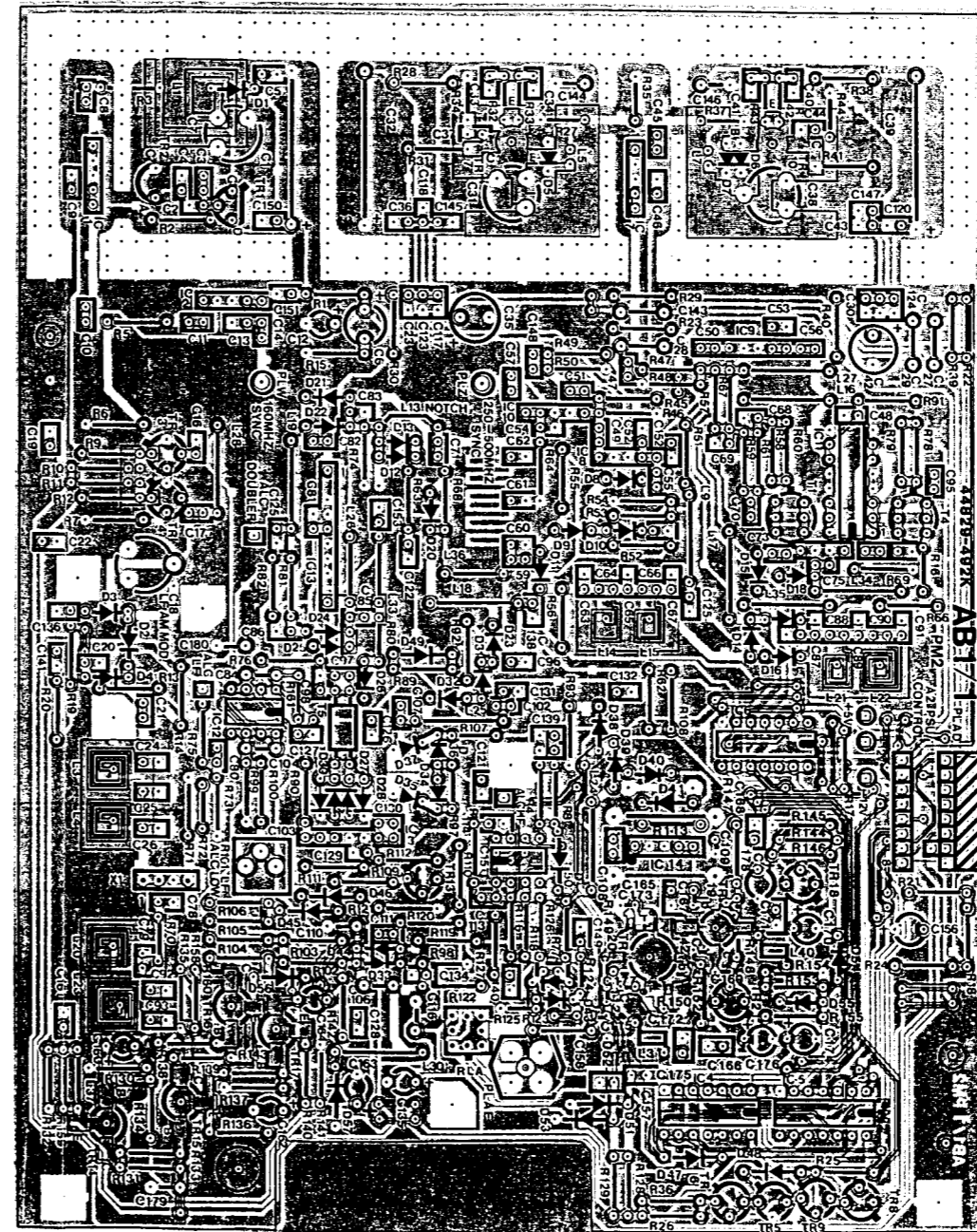
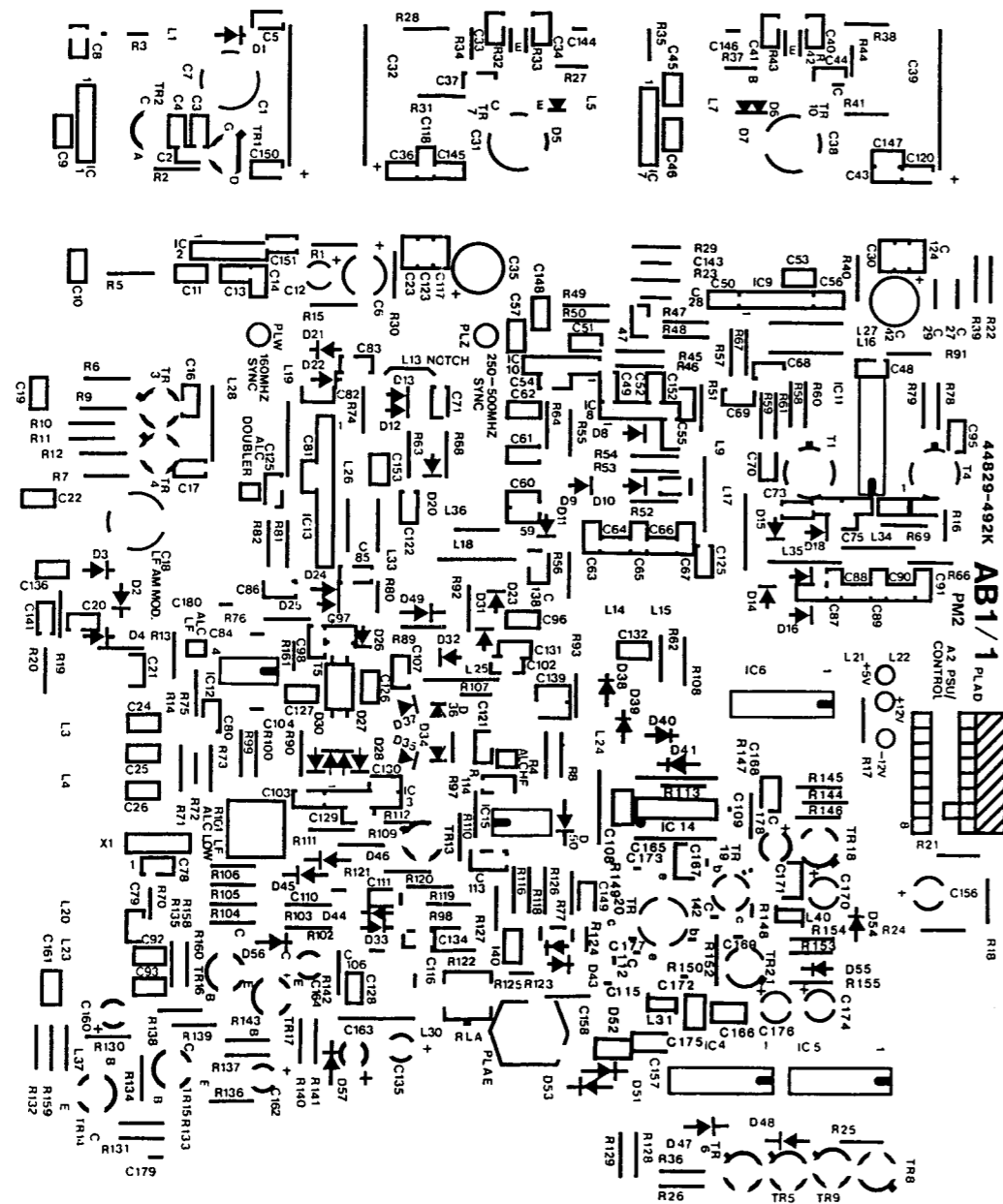


Fig. 7-8a RF processing, component layout, AB1/1

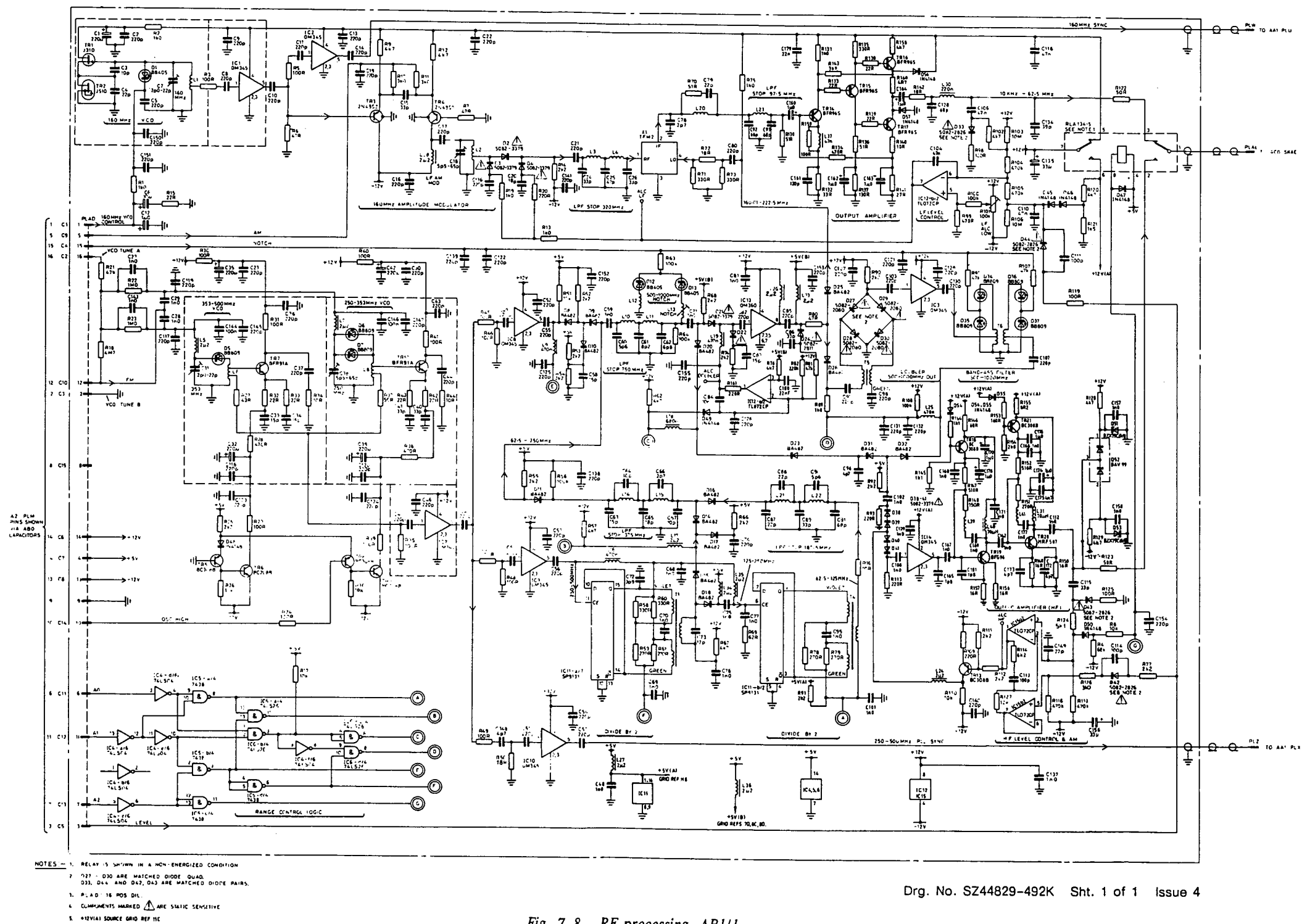


Fig. 7-8
46881-847B
Sep. 87

Fig. 7-8 RF processing, AB111

Drg. No. SZ44829-492K Sht. 1 of 1 Issue 4

Fig. 7-8

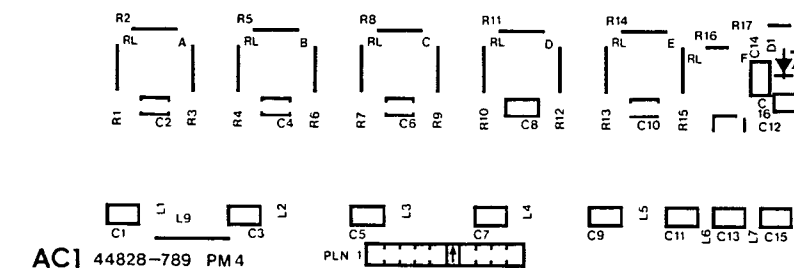
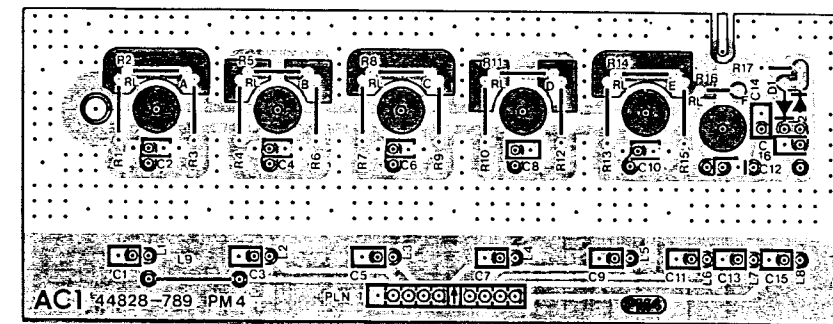
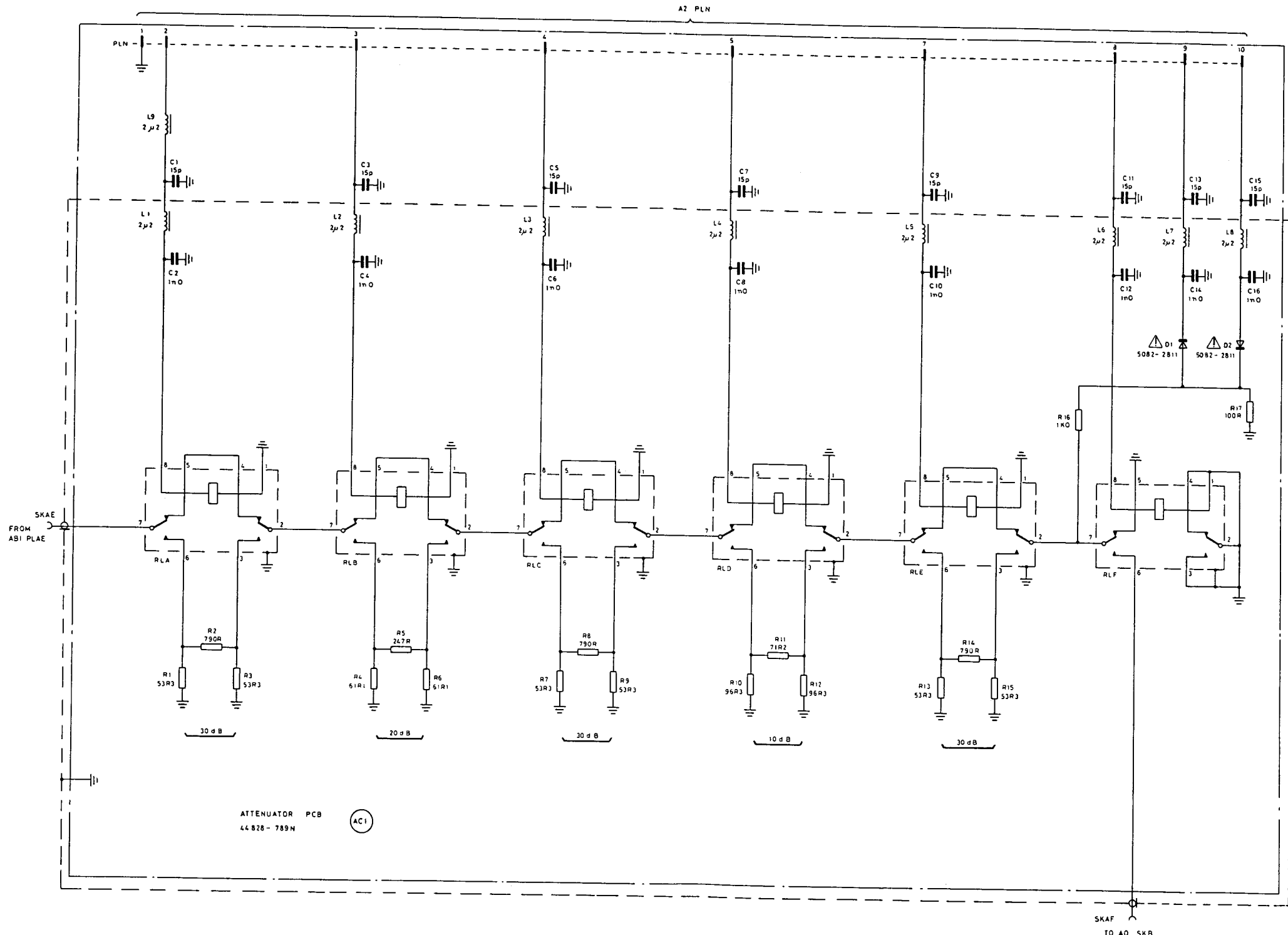


Fig. 7-9a Attenuator, component layout, ACI

SERVICING DIAGRAMS



Drg. No. S244829-029N Sht. 1 of 1 Issue 7

Fig. 7-9 Attenuator, AC0

Fig. 7-9
46881-847B
Sep. 87

Fig. 7-9
Page 19

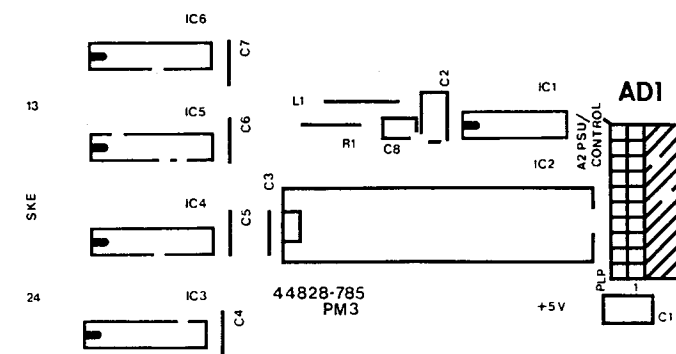
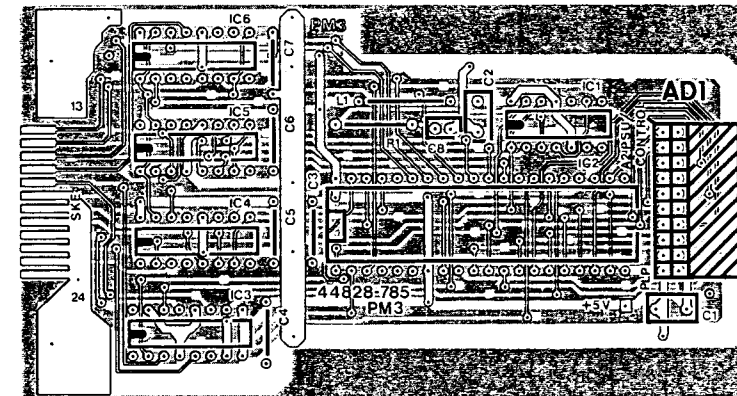
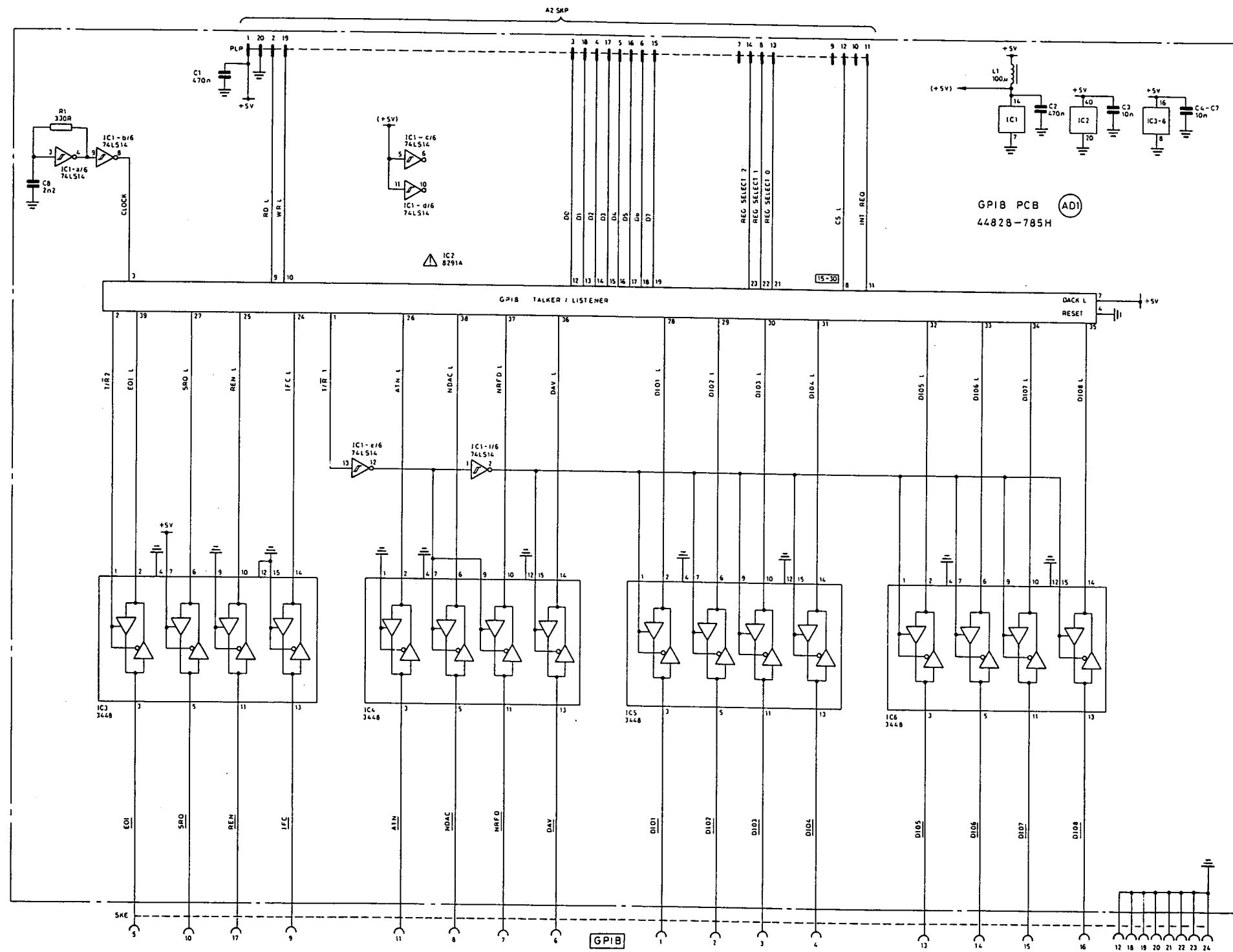


Fig. 7-10a
Page 20

Fig. 7-10a GPIB module, component layout, AD1

Fig. 7-10a
46881-847B
Sep. 87

SERVICING DIAGRAMS



1. COMPONENT MARKED IS STATIC SENSITIVE, SEE PCH 22810 FOR PRECAUTIONS.
2. UNDERLINED LABELS REFER TO GPIB TERMS WHICH ARE NEGATIVE TRUE. ALL OTHER LABELS ARE POSITIVE TRUE.
3. PLP: 20 POS. DIL.
4. DIGITS IN BOX SHOW LATCH ADDRESSES WHEN USING SECOND FUNCTION 3

Drq. No. S254433-003N Sht. 1 of 1 Issue 5

Fig. 7-10 GPIB module, AD0

MARCONI INSTRUMENTS LIMITED

SERVICE DIVISION	The Airport LUTON Bedfordshire LU2 9NS Telephone (0582) 33866 Telex : 825248
HEAD OFFICE	Longacres ST ALBANS Hertfordshire AL4 0JN Telephone : (0727) 59292 Telex : 23350 Fax : (0727) 57481 (Gp. 3)
FRANCE	MARCONI INSTRUMENTS 18 Rue du Plessis-Briard, Le Canal Courcouronnes 91023 EVRY Telephone : (1) 6077 9066 Telex : 604482 Fax : (1) 6077 6922
GERMAN FEDERAL REPUBLIC	MARCONI MESSTECHNIK GmbH Landsberger Strasse 65 Postfach 1929 8034 GERMERING Telephone : (89) 84 9360 Telex : 5212642 Fax : (89) 84 19142 (Gp. 3)
SPAIN	MARCONI INSTRUMENTOS S.A. Calle de Gobelias 13 Urbanizacion la Florida 28023 MADRID Telephone : (1) 207 6938 Telex : 47199 Fax : (1) 207 6939 (Gp. 3)
USA	MARCONI INSTRUMENTS 3 Pearl Court Allendale Park ALLENDALE New Jersey 07401 Telephone : (201) 934 9050 Telex : 6853077 Twx : (710) 991 9752 Fax : (201) 934 9229

