



Advanced Test Equipment Rentals
www.atecorp.com 800-404-ATEK (2832)

 **California Instruments**

Revision R
October 2009
Copyright ©1999-2009
By AMETEK Programmable Power.
All rights reserved.
P/N 4005-985

**Model 2001RP
AC Power Source
User and Programming Manual**

 **AMETEK**[®]
PROGRAMMABLE POWER

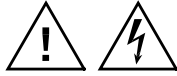
TEL: +1 (858) 677-9040
FAX: +1 (858) 677-0940
Email: sales@calinst.com
Web Site: <http://www.calinst.com>

User and Programming Manual
AC Power Source
California Instruments
By AMETEK Programmable Power

Models:

- 2001RP
- 2001RP-AV
- 2001RP-LZ

© Copyright 1999-2009 AMETEK Programmable Power, Rev Q, October 2009



SAFETY SUMMARY

This power source contains high voltage and current circuits that are potentially lethal. Because of its size and weight, electrical and mechanical stability must be ensured. The following safety guidelines must be followed when operating or servicing this equipment. These guidelines are not a substitute for vigilance and common sense. If this power source is not used as specified in this manual, the protection provided by this equipment may be impaired. AMETEK Programmable Power assumes no liability for the customer's failure to comply with these requirements.

APPLYING POWER AND GROUNDING

Verify the correct voltage is applied to the unit (120 or 230 VAC Nominal). Verify that the input power wiring is connected to a properly grounded utility outlet.

FUSES

Use only fuses of the specified current, voltage, and protection speed.

Do not short out the fuse holder or use a repaired fuse.

The main supply in the 2001RP uses a North American ferrule type fuse (F2) rated at 20A and 250Volts. (Fast Acting)

The low power supplies in the 2001RP uses a North American ferrule type fuse (F1) rated at ½ A and 250Volts.

DO NOT OPERATE IN A VOLATILE ATMOSPHERE

Do not operate the power source in the presence of flammable gases or fumes. This product is designed to operate in a controlled environment. Do not expose to rain or snow.

DO NOT TOUCH ENERGIZED CIRCUITS

Disconnect the power cable before servicing this equipment. Even with the power cable disconnected, high voltage can still exist on some circuits. Discharge these voltages before servicing. Only qualified service personnel may remove covers, replace components or make adjustments.

DO NOT SERVICE ALONE

Do not remove covers, replace components, or make adjustments unless another person, who can administer first aid, is present.

DO NOT EXCEED INPUT RATINGS

Do not exceed the rated input voltage or frequency. Additional hazards may be introduced because of component failure or improper operation.

DO NOT MODIFY INSTRUMENT OR SUBSTITUTE PARTS

Do not modify this instrument or substitute parts. Additional hazards may be introduced because of component failure or improper operation.

MOVING THE POWER SOURCE

When moving the power source, observe the following:

1. Remove all AC power to unit.
2. Use two people to prevent injury.

SURFACE STABILITY

Operate the power source only on a level surface.

SAFETY SYMBOLS:



THIS SYMBOL INDICATES DIRECT CURRENT



THIS SYMBOL INDICATES ALTERNATING CURRENT



THIS SYMBOL INDICATES BOTH DIRECT AND ALTERNATING CURRENT



THIS SYMBOL INDICATES THREE-PHASE ALTERNATING CURRENT



THIS SYMBOL INDICATES EARTH (GROUND) TERMINAL



THIS SYMBOL INDICATES PROTECTIVE CONDUCTOR TERMINAL



THIS SYMBOL INDICATES FRAME OR CHASSIS TERMINAL



THIS SYMBOL INDICATES ON (SUPPLY)



THIS SYMBOL INDICATES OFF (SUPPLY)



THIS SYMBOL INDICATES CAUTION, RISK OF ELECTRIC SHOCK



THIS SYMBOL INDICATES CAUTION (REFER TO ACCOMPANYING DOCUMENTS)

Electrical Safety Symbols Used in This Manual

WARRANTY INFORMATION

AMETEK Programmable Power warrants each instrument manufactured by them to be free from defects in material and workmanship for a period of one year from the date of shipment to the original purchaser. Excepted from this warranty are fuses and batteries that carry the warranty of their original manufacturer where applicable. AMETEK Programmable Power will service, replace, or adjust any defective part or parts, free of charge, when the instrument is returned freight prepaid, and when examination reveals that the fault has not occurred because of misuse, abnormal conditions of operation, user modification, or attempted user repair. Equipment repaired beyond the effective date of warranty or when abnormal usage has occurred will be charged at applicable rates. AMETEK Programmable Power will submit an estimate for such charges before commencing repair, if so requested.

SERVICE PROCEDURE

If a fault develops, notify AMETEK Programmable Power at support@programmablepower.com or its local representative, giving full details of the difficulty, including the model number and serial number. On receipt of this information, service information or a Return Material Authorization (RMA) number will be given. Add the RMA number furnished to the shipping label. Pack the instrument carefully to prevent transportation damage, affix label to shipping container, and ship freight prepaid to the factory. AMETEK Programmable Power shall not be responsible for repair of damage due to improper handling or packing. Instruments returned without RMA No. or freight collect may be refused at AMETEK Programmable Power discretion. Instruments repaired under Warranty will be returned either via prepaid surface freight or low cost airfreight at AMETEK Programmable Power discretion. Instruments repaired outside the Warranty period will be returned freight collect, Ex Works AMETEK Programmable Power, 9250 Brown Deer Road, San Diego, CA 92121. If requested, an estimate of repair charges will be made before work begins on repairs not covered by the Warranty.

DAMAGE IN TRANSIT

The instrument should be tested when it is received. If it fails to operate properly, or is damaged in any way, a claim should be filed immediately with the carrier. The claim agent should obtain a full report of the damage, and a copy of this report should be forwarded to us by fax or email (Fax: 858 458 0267, Email: support@programmablepower.com). AMETEK Programmable Power will prepare an estimate of repair cost and repair the instrument when authorized by the claim agent. Please include model number and serial number when referring to the instrument.

SPARE PARTS

To order spare parts, user manuals, or determine the correct replacement part for your California Instruments products, please contact the Customer Service department by phone at + 1 858 450 0085 or by email support@calinst.com.

Table of Contents

| | | |
|-----|--|----|
| 1 | Introduction..... | 1 |
| 1.1 | General Description..... | 1 |
| 1.2 | Accessory Equipment/Rack Slides..... | 1 |
| 2 | Specifications | 2 |
| 2.1 | Electrical..... | 2 |
| 2.2 | Measurements [Option] | 5 |
| 2.3 | System Specification | 6 |
| 2.4 | Unit Protection | 7 |
| 2.5 | Mechanical | 7 |
| 2.6 | Environmental..... | 8 |
| 2.7 | Regulatory | 8 |
| 2.8 | Front Panel Controls..... | 9 |
| 2.9 | Available Options..... | 10 |
| 3 | Installation and Functional Test | 12 |
| 3.1 | Unpacking..... | 12 |
| 3.2 | Power Requirements | 12 |
| 3.3 | Input Voltage Range Selection | 14 |
| 3.4 | Mechanical Installation | 19 |
| 3.5 | Input Wiring | 19 |
| 3.6 | Output Connections..... | 20 |
| 3.7 | Output Voltage Ranges | 22 |
| 3.8 | Functional Test..... | 23 |
| 3.9 | Current Limit - Modes of Operation | 25 |
| 4 | Front Panel Operation | 26 |
| 4.1 | Functional Controls..... | 26 |
| 4.2 | How to examples..... | 31 |
| 4.3 | Setting the Power on Initialization Values | 34 |
| 4.4 | Current Limit Modes | 35 |
| 4.5 | Function Strobe [Option]..... | 36 |
| 4.6 | Remote Inhibit [Option]..... | 36 |
| 5 | Principle of Operation..... | 37 |
| 5.1 | General..... | 37 |
| 5.2 | Overall Description | 37 |
| 5.3 | Input Power Supply | 37 |
| 5.4 | Range Relay Board | 40 |
| 5.5 | Amplifier Module..... | 40 |
| 5.6 | Oscillator Module..... | 41 |
| 5.7 | IEEE 488/ RS232 Interface [Option]..... | 41 |
| 6 | Calibration | 43 |
| 6.1 | Calibration Equipment | 43 |
| 6.2 | Selecting Calibration Mode..... | 44 |
| 6.3 | Routine Calibration | 45 |
| 6.4 | Non-Routine Calibration | 49 |
| 7 | Service | 53 |
| 7.1 | General..... | 53 |
| 7.2 | Basic Operation | 53 |
| 7.3 | Module Removal..... | 55 |
| 7.4 | Replaceable Parts | 58 |

| | | |
|------|--|-----|
| 8 | Remote Control..... | 60 |
| 8.1 | Introduction | 60 |
| 8.2 | PGUI32 Program Requirements | 60 |
| 8.3 | IEEE Interface | 62 |
| 8.4 | RS232C Interface..... | 63 |
| 8.5 | PGUI32 Setup and Installation..... | 65 |
| 8.6 | Trouble Shooting - RS232C | 67 |
| 8.7 | Trouble Shooting - IEEE-488 / GPIB..... | 70 |
| 8.8 | PGUI32 Distribution Files..... | 72 |
| 8.9 | Software Registration..... | 73 |
| 9 | Introduction to SCPI | 74 |
| 9.1 | Conventions Used in This Manual | 74 |
| 9.2 | The SCPI Commands and Messages..... | 74 |
| 9.3 | Using Queries | 77 |
| 9.4 | Structure of a SCPI Message..... | 77 |
| 9.5 | SCPI Data Formats | 80 |
| 9.6 | Bus Throughput and Timing Considerations | 80 |
| 10 | SCPI Command Reference..... | 82 |
| 10.1 | Subsystem Commands..... | 82 |
| 10.2 | Calibration Subsystem | 83 |
| 10.3 | Measurement Subsystem | 87 |
| 10.4 | Source Subsystem | 90 |
| 10.5 | Output Subsystem..... | 94 |
| 10.6 | Limit Subsystem..... | 97 |
| 10.7 | Display Subsystem..... | 99 |
| 10.8 | System Commands..... | 100 |
| 10.9 | Common Commands | 102 |
| 11 | Programming Examples..... | 109 |
| 11.1 | Introduction | 109 |
| 11.2 | Bus Throughput and Timing Considerations..... | 109 |
| 11.3 | Programming the Output..... | 110 |
| 11.4 | Making Measurements..... | 112 |
| 12 | Status Registers | 113 |
| 12.1 | Power-On Conditions | 113 |
| 12.2 | Standard Event Status Group | 114 |
| 12.3 | Status Byte Register | 114 |
| 12.4 | Examples | 115 |
| | Appendix A : SCPI Command tree..... | 116 |
| | Appendix B : SCPI Conformance Information..... | 117 |
| | Appendix C : Error Messages | 118 |
| | Index..... | 119 |

List of Figures

| | |
|--|-----|
| Figure 2-1: Available RMS Current as function of Output Voltage and Frequency..... | 4 |
| Figure 2-2: Rack Mount Slides (-RMS option) position | 11 |
| Figure 3-1: Model 2001RP AC Power Source..... | 12 |
| Figure 3-2: Rear Panel View | 13 |
| Figure 3-3: Internal Adjustments and Jumper Locations, Input Line Voltage 103 to 127..... | 16 |
| Figure 3-4: Internal Adjustments and Jumper Locations, Line Voltage 187 to 253 Volts..... | 18 |
| Figure 3-5: Rack Mount Slides (-RMS option) position | 19 |
| Figure 3-5: Input and Output Wiring..... | 21 |
| Figure 3-6: Test Setup 2001RP..... | 24 |
| Figure 4-1: Front Panel View..... | 26 |
| Figure 4-2: Voltage Auto Range Switch Over Points..... | 28 |
| Figure 4-3: Shuttle Knob..... | 29 |
| Figure 5-1: AC Power System Block Diagram | 39 |
| Figure 6-1: Test Equipment Hookup for Routine Output and Voltage Measurement Calibration | 45 |
| Figure 6-2: Test Equipment Hook-up for Current and Power Measurement Calibration | 46 |
| Figure 6-3: Internal Adjustments | 51 |
| Figure 7-1: Assembly Location..... | 56 |
| Figure 7-2: Replaceable Fuse Locations..... | 59 |
| Figure 8-1: Rear Panel View | 61 |
| Figure 8-2: GPIB Address Selection Switch..... | 62 |
| Figure 8-3: RS232C Interface Cable Wiring Diagram | 65 |
| Figure 8-4: System Properties Dialog Box | 68 |
| Figure 8-5: Advanced Port Settings Dialog Box | 68 |
| Figure 8-6: COM Port Properties Dialog Box | 68 |
| Figure 8-7: NI AT-GPIB/TNT Settings..... | 70 |
| Figure 8-8: NI AT-GPIB/TNT Advanced Settings Dialog..... | 70 |
| Figure 9-1: Partial Command Tree..... | 75 |
| Figure 9-2: Command Message Structure | 77 |
| Figure 12-1: AC Source Status System Model..... | 113 |

List of Tables

| | |
|--|-----|
| Table 1-1: Available models | 1 |
| Table 3-1: Maximum Output Wiring Lengths | 20 |
| Table 4-1: Factory Default Power on Settings..... | 34 |
| Table 6-1: Load Resistors and Current | 43 |
| Table 6-2: CAL Mode Status LED Indicators | 44 |
| Table 7-1: Basic Symptoms | 53 |
| Table 7-2: Poor Output Voltage Accuracy..... | 53 |
| Table 7-3: Poor Output Voltage Regulation | 53 |
| Table 7-4: Distorted Output..... | 54 |
| Table 7-5: Unit Shuts Down After 3-5 Seconds | 54 |
| Table 7-6: No Output and No Lights on Front Panel..... | 54 |
| Table 7-7: No Output But "Display" Is On | 54 |
| Table 7-8: Replaceable Parts..... | 58 |
| Table 10-1: Mode Command Encoding | 99 |
| Table 10-2: Bit Configuration of Standard Event Status Enable Register | 103 |
| Table 10-3: Bit Configuration of Standard Event Status Register | 104 |
| Table 10-4: *RST Default Parameter Values | 106 |
| Table 10-5: Status Registers - Power on Conditions | 106 |
| Table 10-6: Bit Configuration of Status Byte Register..... | 108 |
| Table 12-1: Bus Error Messages | 118 |

1 Introduction

This instruction manual contains information on the installation, operation, calibration and maintenance of the 2001RP AC power source.

1.1 General Description

The 2001RP AC source is a high efficiency, lightweight, 2000 VA programmable AC power source. In addition to the standard 2001RP model, several options are available that may change the voltage and frequency ranges of the power source. This user manual covers the following models:

| Model | Voltage ranges | Max. Current | Frequency range |
|--|--|---|------------------|
| 2001RP | 150 V _{RMS} 300 V _{RMS} | 13.4 A _{RMS} 6.7 A _{RMS} | 16 Hz – 5000 Hz |
| 2001RP-AV ¹ Avionics version | 115 V _{RMS} 230 V _{RMS} | 17.4 A _{RMS} 8.7 A _{RMS} | 360 Hz – 5000 Hz |
| 2001RP-LZ Low impedance version | 135 V _{RMS} 270 V _{RMS} | 14.8 A _{RMS} 7.4 A _{RMS} | 16 Hz – 500 Hz |

Table 1-1: Available models

The output voltage High and Low terminals are isolated from the chassis, earth ground. The nominal input can be either 103 V_{RMS} to 127 V_{RMS} AC or 187 V_{RMS} to 253 V_{RMS} AC at 47 Hz to 400 Hz line frequency.

Simple front panel controls enable the voltage, current limit and frequency to be changed. An optional RS232C and IEEE 488 interface is available for applications that require remote control and measurements.

1.2 Accessory Equipment/Rack Slides

General Devices Company Model C300-120-B308 rack slides may be attached to the sides of the power source using 10-32 X 3/8 flat head screws.

¹ 2001RP-AV models may be factory configured with a single voltage range and fixed frequency output.

2 Specifications

All specifications at $23 \pm 5^\circ\text{C}$ unless noted otherwise.

2.1 Electrical

Input

| | |
|---------------------|---|
| Line Voltage: | 115 V_{RMS} nominal, 103 V_{RMS} - 127 V_{RMS} AC 230 V_{RMS} nominal, 187 V_{RMS} - 253 V_{RMS} AC Unit must be configured for correct Line input voltage. |
| Line Current: | 36 A_{RMS} maximum, line voltage = 103 VAC, full-load PF = 0.7, Efficiency = 75%, (typical) |
| Inrush Current: | 185 A_{PEAK} at 253 V_{AC} input line. |
| Input power factor: | 0.7 at full-load and 103 V_{AC} input |
| Line Frequency: | 47 Hz - 400 Hz. |
| Efficiency: | 75% typical (depending on line and load) |
| Isolation Voltage: | Input to output = 2300 VAC, input to chassis = 1350 VAC. |

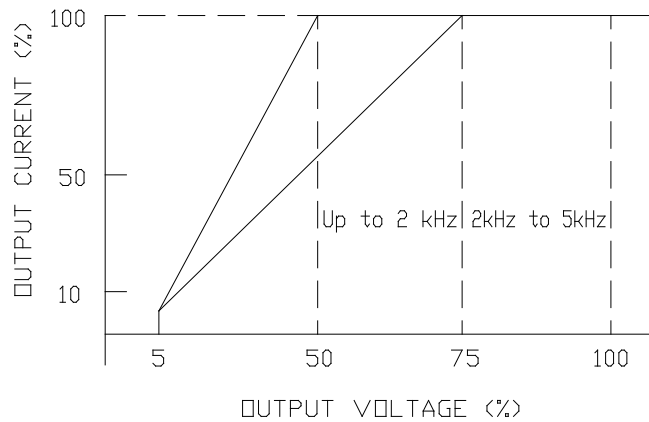
Output



| Parameter | | Specification |
|-----------------|--------------------------------------|--|
| Voltage | | |
| | Range | 0 to 150 V_{RMS} or 300 V_{RMS} (standard ranges) (see Section 3.7) |
| | 2001RP | |
| | 2001RP-AV | 115 V and 230 V or 115 V only (factory set) |
| | 2001RP-LZ | 135 V and 270 V |
| | Resolution | 0.1 volt |
| | Accuracy | $\pm 0.1\%$ of calibrated range, 45 Hz - 100 Hz $\pm 0.2\%$ of calibrated range, 100 Hz - 5000 Hz Applies from 10 to 100% voltage range. |
| | | Below 45 Hz, add 2 % |
| Load Regulation | 0.1 % of FS. Add 0.05% above 2000 Hz | |

| Parameter | Specification | | | |
|---|--|------------------------|-------------------------|------|
| External Sense | Will compensate for up to 7% of voltage drop up to 2kHz | | | |
| | Line Regulation | | | |
| | 0.02 % of FS | | | |
| Settling time | From start of voltage change from 5.0 V _{RMS} or higher voltage to within 2% of final value: | | | |
| | No load: 16 msec | | | |
| | Full load: 300 msec (16 msec to within 15 % of final value) | | | |
| Distortion (THD) (into linear load, full power, full scale voltage) | 45-1000Hz | 1.0 % | | |
| | 1000-2000Hz | 1.5 % | | |
| | 2000-3000Hz | 2.0 % | | |
| | 3000-4000Hz | 2.5 % | | |
| | 4000-5000Hz | 3.0 % | | |
| Distortion (THD) for AV option (into linear load, full power, full scale voltage) | 45-1000Hz | 2.0 % | | |
| | 1000-2000Hz | 3.0 % | | |
| | 2000-3000Hz | 4.0 % | | |
| | 3000-4000Hz | 5.0 % | | |
| | 4000-5000Hz | 6.0 % | | |
| DC Offset voltage | AC Coupled transformer output | | | |
| Output noise | < 0.1 V _{RMS} typical (20 kHz to 1 MHz at full load) | | | |
| Temperature coefficient: | ± 0.02 % of full scale per degree C | | | |
| Stability (24 hours) | ± 0.015 % of full scale under constant load, line and temperature | | | |
| Total Power | 2000 VA maximum at full scale voltage, either range | | | |
| Current | | | | |
| Range | <u>Volt Range</u> | <u>A_{RMS}</u> | <u>A_{PEAK}</u> | |
| | 2001RP | 150 | 13.4 | 44.5 |
| | | 300 | 6.7 | 22.2 |
| | 2001RP-AV | 115 | 17.4 | 58 |
| | | 230 | 8.7 | 29 |
| | 2001RP-LZ | 135 | 14.8 | 49.4 |
| | | 270 | 7.4 | 24.7 |
| Adjustable Limit | 0.0 to Maximum available RMS current for selected voltage range from 50% to 100% of programmed voltage. For voltage < 50% of range, see V-I derating chart on next page for available maximum RMS current. | | | |
| Accuracy | Programmed value + 5, -0 % of maximum RMS current | | | |

| Parameter | | Specification |
|------------------|-----------------------------|---|
| Frequency | | |
| | Range 2001RP | 16.0 - 5000 Hz (see Figure 2-1) Maximum output voltage available from 45 Hz and up. Maximum voltage derates from 100% at 45 Hz to 35% at 16 Hz. |
| | 2001RP-AV | 360.0 - 5000 Hz (see Figure 2-1) |
| | 2001RP-LZ | 16.0 – 500 Hz (see Figure 2-1) Maximum output voltage available from 45 Hz and up. Maximum voltage derates from 100% at 45 Hz to 35% at 16 Hz. |
| | Resolution | 0.01 Hz from 16.00 to 80.00 Hz 0.1 Hz from 80.1 Hz to 800.0 Hz 1 Hz from 801 Hz to 5000 Hz |
| | Accuracy | ± 0.02% of programmed value |
| | Temperature coefficient | ± 5 ppm per degree Celsius |
| | Stability | ± 15 ppm per year |
| Impedance | | |
| | Steady State | (voltage range * 0.0005) / load current. |
| | Transient 2001RP-LZ only | R = 400 mOhm (approximate) L = 240 µHenry (approximate) |



Steady state output impedance:

$$= (\text{voltage range} * 0.0005) / \text{load current.}$$

Figure 2-1: Available RMS Current as function of Output Voltage and Frequency.

2.2 Measurements [Option]

| Parameter | | Specification | Unit |
|-------------------------|-------------------|--|--------------------------|
| True RMS Current | | Available on standard unit. | |
| | Ranges | 0.000 - 4.000 0.00 - 18.00 | A_{RMS} A_{RMS} |
| | Accuracy | 0.2 % FS + 0.3 % reading | |
| | Resolution | 0.001 0.01 | A_{RMS} A_{RMS} |
| | Temp Coefficients | 0.016 | % FS / °C |
| Peak Current | | | |
| | Ranges | (Remote only) 0.00 - 12.00 0.0 - 70.0 | A_{PEAK} A_{PEAK} |
| | Accuracy | 0.5 % FS + 0.5 % reading | |
| | Resolution | 0.01 0.1 | A_{PEAK} A_{PEAK} |
| Crest Factor | | Available over bus only. Requires interface option | |
| | Range | 0.00 - 4.00 | |
| | Accuracy | 0.05 | |
| | Resolution | 0.01 | |
| True RMS Voltage | | | |
| | Range | 0.0 - 300.0 | V_{RMS} |
| | Accuracy | 0.1 % FS + 0.05 % reading | |
| | Resolution | 0.1 | V_{RMS} |
| | Temp Coefficients | 0.05 | % FS / °C |
| Real Power | | | |
| | Ranges | 0 - 800.0 0 - 2000 | W W |
| | Accuracy | 0.2 % FS + 0.5 % reading | |
| | Resolution | 0.2 1 | W W |
| | Temp Coefficients | 0.06 | % FS / °C |
| Apparent Power | | Available over bus only. Requires interface option | |
| | Ranges | 0 - 800.0 0 - 2000 | VA VA |
| | Accuracy | 0.3 % FS + 0.8 % reading | |
| | Resolution | 1 | VA |

2.3 System Specification

| Parameter | Specification | |
|-----------------|---|--|
| Setup storage | Eight non volatile front panel setup registers available through interface. Power on setting register available from front panel. | |
| Interface | (Option package -OP1 required) | |
| RS-232C | Bi-directional serial interface | |
| | Rear panel connector: | 9 pin D shell |
| | Handshake: | CTS, RTS |
| | Data bits: | 8 |
| | Stop bits: | 1 |
| | Parity: | None |
| | Baud rate: | 19200 |
| | Command syntax: | IEEE 488.2 commands and SCPI |
| IEEE-488 | GPIB Interface | |
| | Rear panel connector: | 24 pin D-shell |
| | IEEE address: | set using DIP switch on rear panel from 0 to 31 |
| | IEEE functions: | SH1, AH1, T8, L4, RL2, SRQ 0, PP 0, DC 0, DT 0, C0 |
| | Terminators: | LF, CRLF, EOI |
| | Command syntax: | IEEE 488.2 commands and SCPI |
| Remote Inhibit | (Option package -OP1 required) | |
| | Rear panel connector: | BNC |
| | Input | Contact closure to ground or logic low TTL signal required to turn off output. Automatic recovery when RI signal is removed. |
| Function Strobe | (Option package -OP1 required) | |
| | Rear panel connector: | BNC |
| | Output | Active low TTL signal. Signal driven low for approximately 400 μ sec any time output voltage or frequency programmed value changes. Signal level may be changed by removing jumpers to open collector. |

2.4 Unit Protection

| Parameter | Specification |
|-----------------------|--|
| Input Overcurrent: | Electronic current limit with fuse. |
| Transients: | Surge protection to withstand EN50082-1 (IEC 801-4, 5) levels. |
| Output Overcurrent: | Constant current operation. (Standard) 0.1 Second shutdown (constant voltage mode Option) |
| Output Short Circuit: | Peak current limit. Shutdown (constant voltage mode Option). |
| Overtemperature: | Automatic shutdown. |

2.5 Mechanical

| Parameter | Specification | | | |
|--------------------------------|---|------------------------------------|-----------------------------|--------|
| Dimensions: | Height | Width | Depth | Unit |
| | 13.26 | 48.26 | 56.62 | cm |
| | 5.22 | 19 | 22.29 | inches |
| Unit Weight: | 2001RP 39 Kg / 85 lbs | 2001RP-AV 34 Kg / 76 lbs | 2001RP-LZ 39 Kg / 85 lbs | |
| Material: | Steel chassis and panels. Aluminum cover. | | | |
| Finish: | Yellow iridite, painted semi-gloss polyurethane | | | |
| Cooling: | Fan cooled with air intake on the sides and exhaust to the rear. | | | |
| Internal Construction: | Modular sub assemblies. | | | |
| Chassis Slides: | P/N 210960 / Option -RMS General Devices Model CTS-1-20-B307-2 | | | |
| Rear Panel Mounted Connectors: | | | | |
| | RS232C I/F | DB 9 | | |
| | IEEE-488 I/F | D-shell 24 pin | | |
| | Remote Inhibit | BNC (requires -OP1 option package) | | |
| | Function Strobe | BNC (requires -OP1 option package) | | |
| | AC Output | Amp 1-480705-1 | | |
| | External Sense | Amp 1-480705-1 | | |
| | Line Input | Kulka 9-85-3 Terminal block | | |

2.6 Environmental

| Parameter | Specification |
|-------------------------|--|
| Operating Temp: | 0 degrees to + 40 degrees Celsius. |
| Storage Temp: | - 40 degrees to + 85 degrees Celsius. |
| Humidity: | Operating: ≤ 90% RH up to 40° C., non condensing Storage: ≤ 90% RH up to 40° C, ≤75% RH up to 70° C. |
| Altitude | Operating: 15000 feet / 6000 meters maximum. VA Power: Full VA power output :0 - 6000 feet / 0 - 2000 meters. Derate VA power 5 % per 1000 feet from 6000 to 15000 feet / 2000 to 6000 meters. |
| Creepage and Clearance: | Rated for Pollution Degree 2. |
| Insulation: | Rated to Installation Category (Overvoltage Category) II |
| Vibration: | Designed to meet NSTA 1A transportation levels. |
| Shock: | Designed to meet NSTA 1A transportation levels. |

2.7 Regulatory

| Parameter | Specification |
|---|---|
| Electromagnetic Emissions and Immunity: | Tested to EN50081-1 and EN50082-1 European Emissions and Immunity standards as required for the "CE" marking. |
| Acoustic Noise: | 65 dBA maximum at 0% to 50% load, 75 dBA maximum greater than 50% load to 100% load. Measured at one meter. |
| Safety: | Tested to EN61010-1 European safety standards as required for the "CE" marking. |

2.8 Front Panel Controls

| Parameter | Specification |
|--------------------|---|
| Controls: | Shuttle knobs: Allows continuous change of Voltage, Frequency and Current limit. Voltage change is inactive on single voltage range configuration units. |
| | Function keys: Controls Output state, Voltage range and Display mode. |
| Displays: | Two, 4 digits, 0.5" LCD display. For viewing programmed voltage, frequency, current limit and for displaying measured current. |
| Status Indicators: | 10 LEDs to indicate: REMOTE, FAULT, OUTPUT (ON/OFF), VOLTAGE RANGE HIGH, VOLTAGE RANGE AUTO FREQUENCY, CURRENT, PEAK CURRENT, POWER, POWER FACTOR DISPLAY MODES (Refer to paragraph 4.1.2). |

2.9 Available Options²

| Option | Description |
|--------|---|
| -AV | <p>Avionics version: 2001RP-AV</p> <ul style="list-style-type: none"> • 115 V_{RMS} / 230 V_{RMS} volt ranges • 17.4 / 8.7 Amp RMS maximum current • Frequency range limited to 360 Hz minimum. <p><i>This unit may have been factory set to fixed frequency and single voltage range. The frequency range and voltage range setting can be queried over the bus if the –OP1 option is installed.</i></p> <p><i>This option cannot be combined with option –LZ and must be specified on the original order.</i></p> |
| -L22 | Locking knobs. Prevents front panel change of voltage and frequency. |
| -LZ | <p>Low Impedance version: 2001RP-LZ</p> <ul style="list-style-type: none"> • 135 V_{RMS} / 270 V_{RMS} volt ranges • 14.8 / 7.4 Amp RMS maximum current • Frequency range limited to 500 Hz maximum. <p><i>This unit is suitable for EN 61000-3-2 Harmonics test applications and may also be used with optional PACS-1RP2 with calibrated EN 61000-3-3 Flicker reference impedance for Flicker testing.</i></p> <p><i>This option cannot be combined with option –AV and must be specified on the original order.</i></p> |
| -OP1 | <p>Option package 1 includes:</p> <ul style="list-style-type: none"> • Measurement Functions • Combined IEEE-488 / RS232C interface. • Remote Inhibit Input • Function Strobe Output |
| -RMS | <p>Rack mount slides P/N 211045 / Option -RMS General Devices Model C300S-120-B308</p> <p>See next page for rack mount slide position.</p> |

² Additional options may have been made available since this manual revision. Installed options are listed on the power source's type sticker. A manual addendum may be issued for new options not covered by this manual.

The rack mount slide mounting holes centerlines on the side of the power source are 2.30 inches / 58.4 mm above the bottom edge of the front panel.

Note: **The 2001RP series models cannot be mounted in a cabinet by just using the front panel rack ears. They require additional support.**

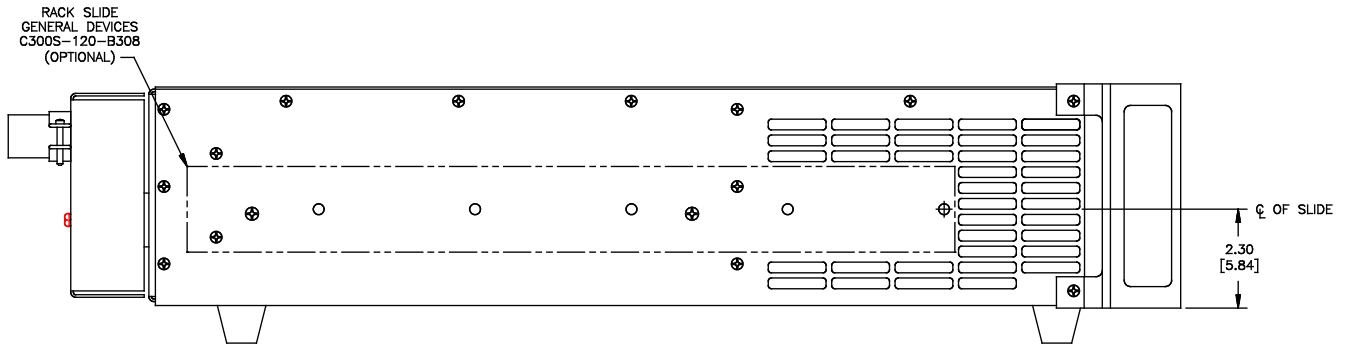


Figure 2-2: Rack Mount Slides (-RMS option) position

3 Installation and Functional Test

3.1 Unpacking

Inspect the unit for any possible shipping damage immediately upon receipt. If damage is evident, notify the carrier. **DO NOT** return an instrument to the factory without prior approval. Do not destroy the packing container until the unit has been inspected for damage in shipment.

3.2 Power Requirements

The AC Power System has been designed to operate from a single phase AC line voltage. The nominal operating voltage is either 120V or 230V line input. The 2001RP line input setting is shown on the type sticker located on the rear panel.



Figure 3-1: Model 2001RP AC Power Source

WARNING: Do not connect the unit to a 400-480 service, as the result will be a severely damaged unit.



Do not connect the unit to AC line input unless the nominal line input settings match those of the available AC line voltage.

3.2.1 AC Line Voltage

The AC Power Source has been designed to operate from either of the following AC line voltage ranges:

- 1) 103 to 127 volts
- 2) 187 to 253 volts

CAUTION: *The AC Power Source will be damaged if it is operated at an input voltage that is outside its configured input range.*

The input voltage range is set at the factory. Section 3.3 gives the procedure to change the input voltage range. The location for connection of the INPUT line is shown in Figure 3-2.

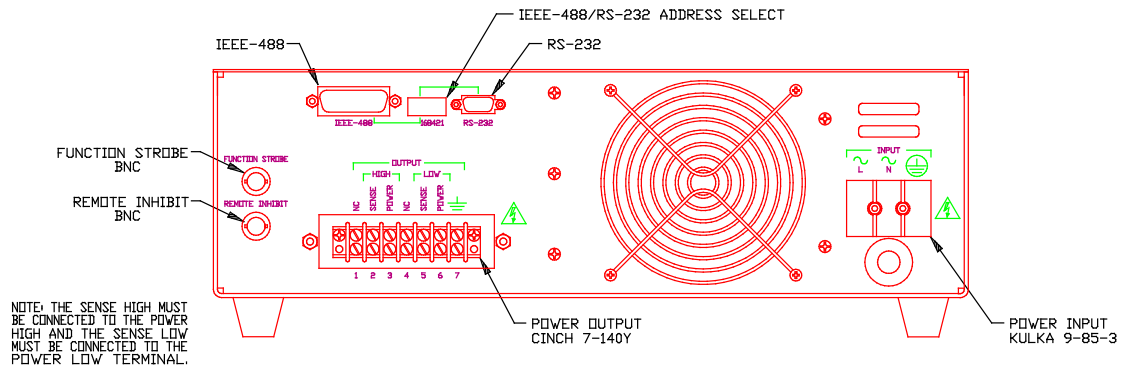
3.2.2 Line Frequency Operating Range

The AC Power Source has been designed to operate with a line frequency from 47Hz to 440 Hz.

3.2.3 Input Power

The input power to the AC Power Source depends upon line and load conditions and may be as high as 2650 watts.

Figure 3-2: Rear Panel View



3.3 Input Voltage Range Selection

WARNING: *Voltages up to 350 VDC and 300 VAC are present in certain sections of this power source. This equipment generates potentially lethal voltages.*

DEATH: *On contact may result if personnel fail to observe safety precautions. Do not touch electric circuits when power is applied. Servicing should only be performed by trained personnel.*

The input voltage range is configured by moving one wire and relocating jumpers at W1-W4. See Figure 3-3 or Figure 3-4 for the location of the A6 board (DC Supply) where the jumpers and input wires are located.

3.3.1 Low Input Voltage Range Configuration (103 – 127 V)

In order to change the voltage range configuration:

1. Turn off the input circuit breaker.
2. Disconnect AC input power to the source by unplugging the power cord.
3. Remove the AC Power Source top cover by removing (14) #6-32 x 5/16" FLH screws. There are 7 screws on the sides and 7 screws on the top that hold the cover.



Remove the (2) #6-32 x 1" PHN screws and lock washers that hold the amplifier near the outside panel.



Remove the (2) #6-32 x 3/8" PHN screws and lock washers located near the connector, attaching the red insulator to the center bracket.

6. Remove the amplifier by pulling it away from the connectors and then lifting it up and out of the amplifier cage.



Locate and remove the (2) #8-32 x 1/2" FLH screws on the outside of the chassis which attaches the perforated support bracket to the chassis, and lift perforated support bracket up and out of unit.

The low input voltage range is set by making the following connections inside the power source:

Remove wire #5 (white, 10AWG) going to CR1-AC and re-connect to A6-E2 on the DC supply board.

| | |
|--------------|---|
| Jumper A6-W3 | Remove |
| Jumper A6-W2 | Install |
| Jumper A6-W1 | Install, use jumper in spare holder W4. |

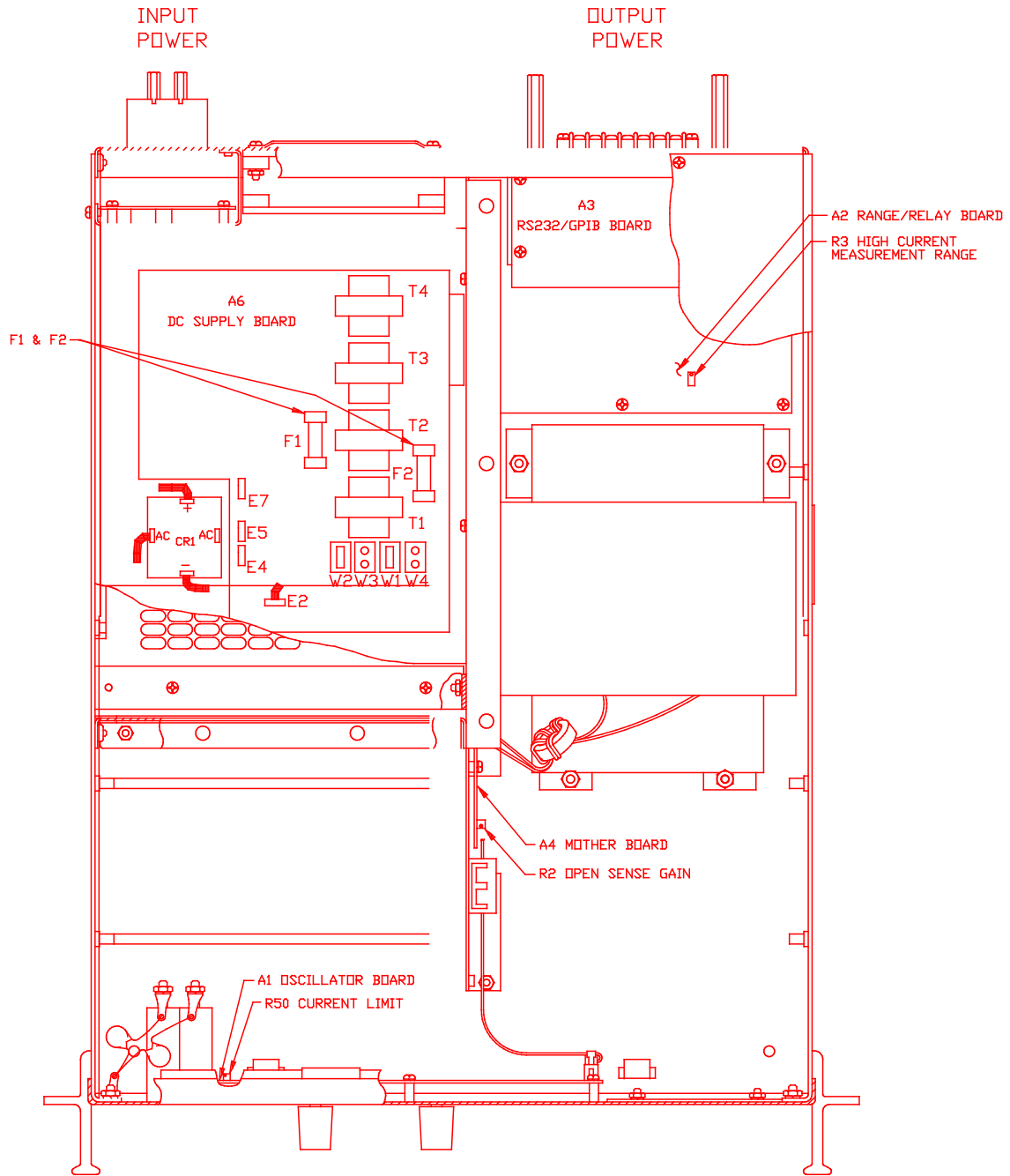
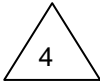


Figure 3-3: Internal Adjustments and Jumper Locations, Input Line Voltage 103 to 127

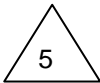
3.3.2 High Input Voltage Range Configuration (187 – 253 V)

In order to change the voltage range configuration:

1. Turn off the input circuit breaker.
2. Disconnect AC input power at TB1.
3. Remove the AC Power Source top cover by removing (14) #6-32 x 5/16" FLH screws. There are a total of 7 screws on the sides and another 7 screws on the top that secure the top cover.

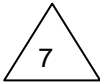


4. Remove the (2) #6-32 x 1" PHN screws and lock washers that hold the amplifier module from the far end opposite the connector.



5. Remove the (2) #6-32 x 3/8" PHN screws and lock washers located near the connector, attaching the red insulator to the center bracket.

6. Remove the amplifier by pulling it away from the connectors and then lifting it up and out of the amplifier cage.



7. Locate and remove the (2) #8-32 x 1/2" FLH screws on the outside of the chassis which attaches the perforated support bracket to the chassis, and lift perforated support bracket up and out of unit.

The high input voltage range is set by making the following connections inside the power source:

Remove wire #5 (white, 10AWG) going to A6-E2 on the DC supply board. and re-connect to CR1-AC

| | |
|--------------|------------------------------------|
| Jumper A6-W1 | Remove, place unused jumper in W4. |
| Jumper A6-W2 | Remove |
| Jumper A6-W3 | Install |

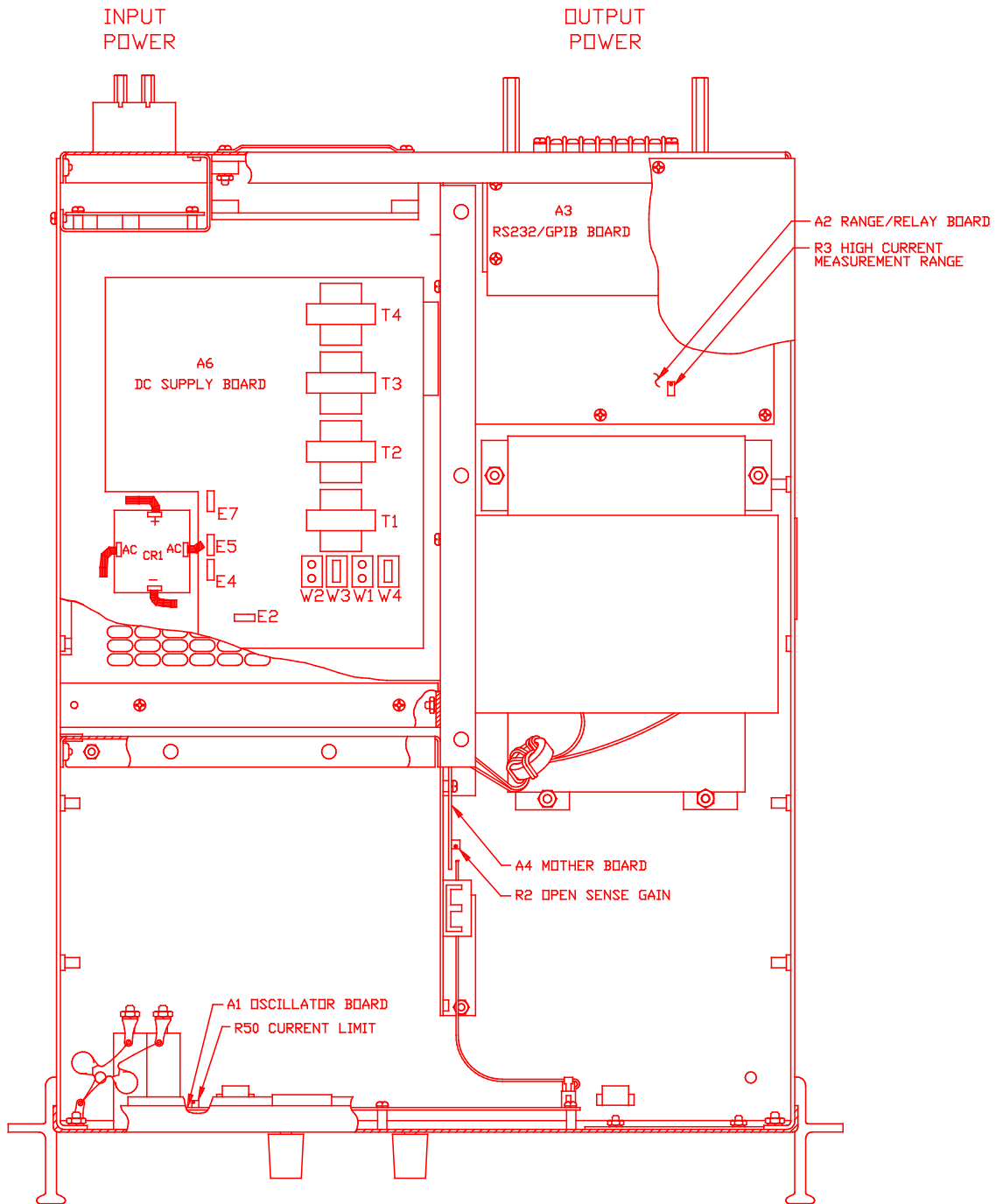


Figure 3-4: Internal Adjustments and Jumper Locations, Line Voltage 187 to 253 Volts

3.4 Mechanical Installation

The power source has been designed for rack mounting in a standard 19 inch rack. The unit must be supported from the sides with optional rack slides. See Accessory Equipment/Rack Slides in Section 1.2. The cooling fan at the rear of the unit must be free of any obstructions which would interfere with the flow of air. A 2.5 inch (6.35cm) clearance should be maintained between the rear of the unit and the rear panel of the mounting cabinet. Keep in mind that adequate ventilation of the mounting cabinet must be maintained for sufficient cooling of the power source. Use louvered side panels, and/or perforated rear panels to assure adequate airflow. Also, the air intake holes on the sides of the power source must not be obstructed when mounted inside cabinet. See Figure 3-1.

The rack mount slide mounting holes centerlines on the side of the power source are 2.30 inches / 58.4 mm above the bottom edge of the front panel.

Note: The 2001RP series models cannot be mounted in a cabinet by just using the front panel rack ears. They require additional support.

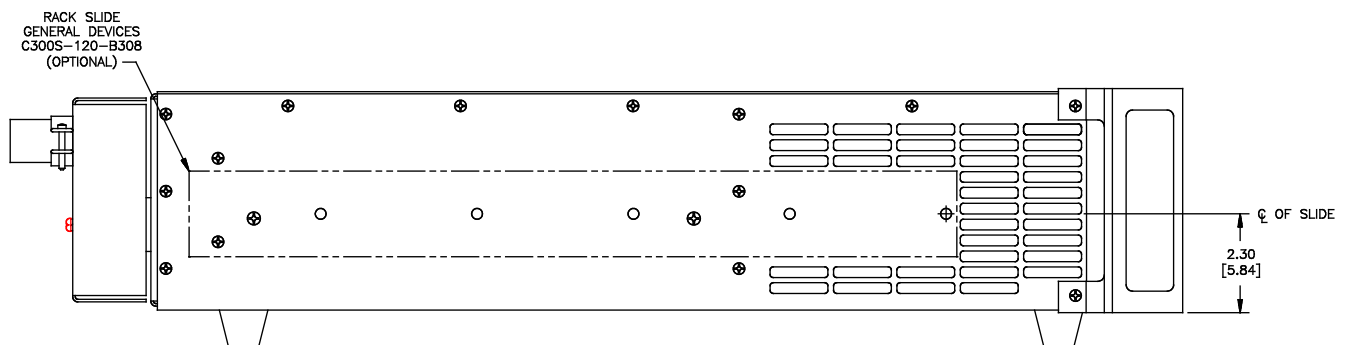


Figure 3-5: Rack Mount Slides (-RMS option) position

3.5 Input Wiring

The AC Power Source must be operated from a three-wire single-phase service. The mains source must have a current rating greater than or equal to 35 A for the low input range. Use the supplied safety cover/strain relief when connecting the input wires to the power source. Refer to Figure 3-2 and Figure 3-6 for the input power connections.

Also loop the input ground wire through the supplied ferrite filter (Ci P/N 250508) core 5 times (5 turns) for 230V input models (AWG#12) or 3 turns for 115V input models (AWG#10). Enclose ferrite core with the safety cover or leave it outside the safety cover if insufficient space is available.

When connecting the input wires to input terminal block, make sure the safety grounding wire from the strain relief grommet including the 5 turns around the ferrite core is longer than the Line and Neutral wire so that the ground wire will be the last one to take any strain. For low-range input operation (115V) we recommend #10 AWG input wires as a minimum. For high-range input operation (230V) #12AWG is recommended. For European applications (230V), the following input cord set may also be used:

Panel Components # 86518030 Rated 16A, 250V, 70° C, 3x 1.5mm² conductor size. VDE approved. Install as described above for discreet wiring.

3.6 Output Connections

The output terminal block is located at the rear of the power source. All load connections must be made on the rear panel terminal block. The remote sense inputs are normally jumpered directly to the adjacent power output pins on the output connector. If the sense terminals are not connected to the power output pins, the output voltage may rise significantly above the programmed value. When connecting the output wires, use the supplied safety cover/strain relief and mount over the output connector. Also mount the supplied snap-on ferrite filter around the output wiring between the output terminals and the strain relief grommet. Enclose ferrite filter with the safety cover. See Figure 3-6.

If the load is a significant distance from the output terminal strip it may be desirable to sense the output voltage directly at the load. If remote sensing is to be used, then the size of the output power wiring must be heavy enough to prevent a voltage difference greater than 7% of the programmed value from the power output pins to the sense input pins. Table 3-1 shows the maximum length of the output wires. The table assumes the Remote Sense input is connected at the load. For 2001RP models with lower voltage ranges than 150 V_{RMS}, the wire gauge may have to be reduced. Numbers shown in Table 3-1 are for standard 2001RP model with 150 V_{RMS} range.

| Maximum output current | Wire gauge (AWG) | Conductor nom. diameter | | Maximum wire length between output terminals and load meter | |
|------------------------|------------------|-------------------------|---------|---|-------|
| | | Inches | mm | feet | meter |
| 13.4 A _{RMS} | 14 | .072 inch | 1.93 mm | 46 ft. | 14 m. |
| 13.4 A _{RMS} | 12 | .090 inch | 2.27 mm | 73 ft. | 22 m. |
| 13.4 A _{RMS} | 10 | .112 inch | 2.84 mm | 117ft. | 35 m. |

Table 3-1: Maximum Output Wiring Lengths

The Remote Sense inputs must be connected or an output voltage 7% higher than the programmed output will be generated. If the 2001RP is configured for constant voltage, a fault will be generated.

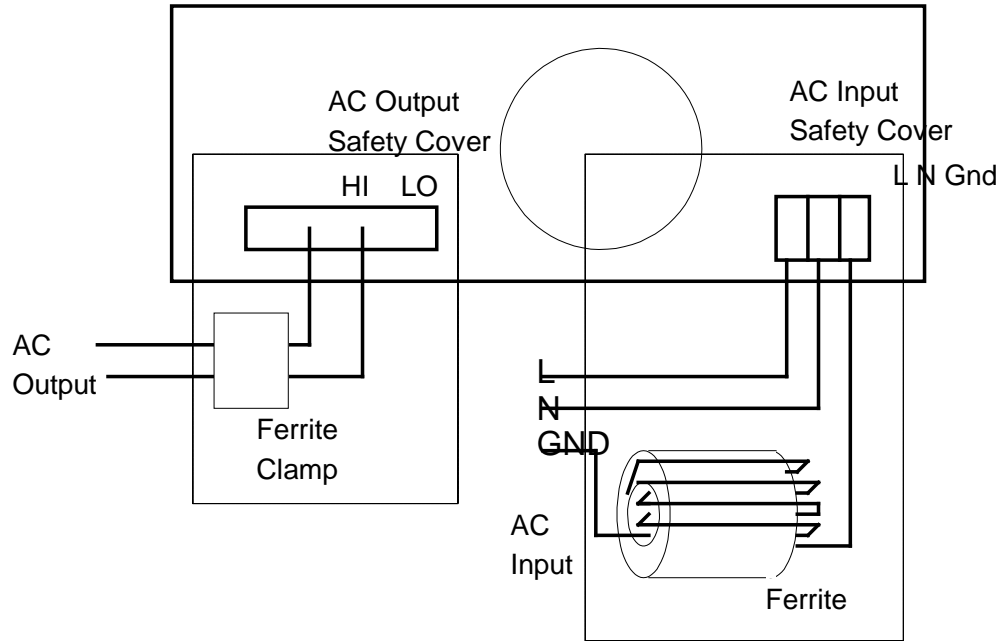


Figure 3-6: Input and Output Wiring

3.7 Output Voltage Ranges

The standard 2001RP AC power source has two output voltage ranges 0-150 V_{AC} and 0-300 V_{AC}. The operator may switch from one range to the other at will with no special precautions except to remember that the output voltage will go to zero voltage whenever a range change takes place.

Certain options available on the 2001RP series may result in different voltage range values or a single voltage range only. Certain models like the 2001RP-AV may be ordered with a single voltage range only. On single voltage range units, the Range change button has no function and the LED indicator is not used. The following 2001RP versions are available:

| Model | No of Voltage Ranges | High range | Low Range |
|------------------------|----------------------|-----------------------------|--|
| 2001RP | 2 | 300 V _{RMS} | 150 V _{RMS} |
| 2001RP-LZ | 2 | 270 V _{RMS} | 135 V _{RMS} |
| 2001RP-AV ³ | 2 1 (Factory set) | 230 V _{RMS} n/a | 115 V _{RMS} 115 V _{RMS} |

2001RP AC power source models with dual voltage ranges offer an auto voltage range change mode. In this mode, the voltage range is automatically changed when the user sets a voltage above 150 or below 146 V_{RMS}. (For standard 2001RP, changeover points differ for different voltage range pairs.)

The AUTO mode can be selected by pressing the range change button until the AUTO mode LED illuminates. To take the AC power source out of the AUTO voltage range mode, press the Voltage range button briefly. This will put the unit in the present range but takes it out of auto mode.

Note: Even in AUTO mode, the output temporarily goes to zero volts when a voltage range change occurs. If this is not acceptable, the AC source should be operated in the high voltage range only and not in AUTO mode.

³ 2001RP-AV units can be factory configured for single voltage range. In this case, the high voltage range is not present.

3.8 Functional Test



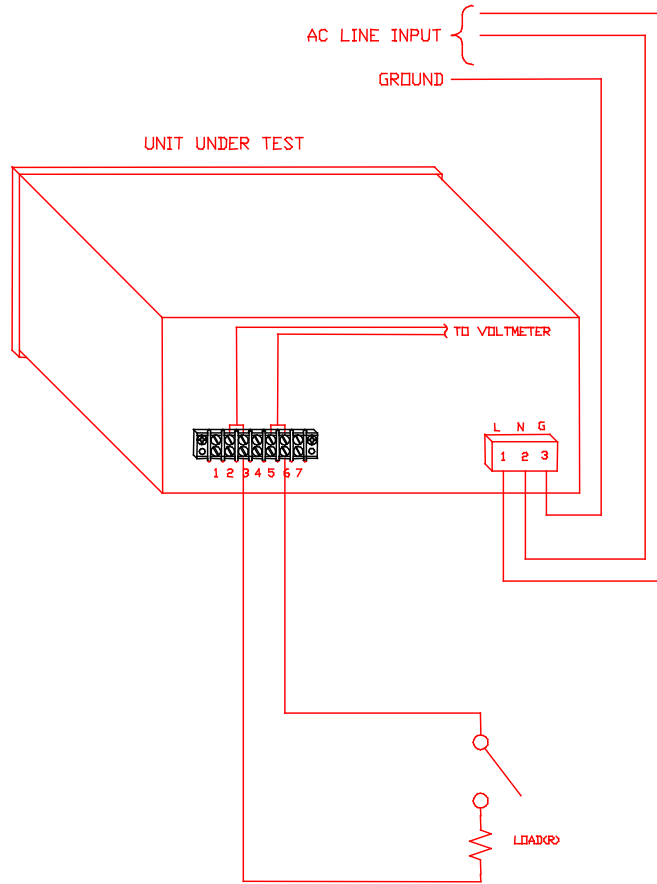
CAUTION: *Work carefully when performing these tests - hazardous voltages are present on the input and output during this test.*

Refer to Figure 3-7 for the test set up. For –LZ and –AV option units, the resistor values need to be adjusted as follows:

| Model | Voltage Range | Resistor | Current (A _{RMS}) |
|-----------|--------------------|----------|-----------------------------|
| 2001RP | 150 | 11.2 Ω | 13.4 |
| | 300 | 45.0 Ω | 6.7 |
| 2001RP-AV | 115 | 6.6 Ω | 17.4 |
| | 230 (if available) | 26.4 Ω | 8.7 |
| 2001RP-LZ | 135 | 9.1 Ω | 14.8 |
| | 270 | 36.5 Ω | 7.4 |

1. Connect an oscilloscope, voltmeter and/or distortion analyzer to the AC source output at the rear panel output terminal.
2. Connect the AC power input voltage connections to the AC source input terminals. Connect the sense input to the adjacent power pin on the rear panel connector. Turn on the power switch located at the rear panel.
3. Verify that the front panel LCD display reads out the initial start up voltage and frequency.
4. Select the low voltage range. Set the frequency to 60 Hz with the right shuttle (400 Hz for the –AV option). Select the current function with the Frequency/Current selector. Set the current limit to the maximum value using the right shuttle. Set the output voltage to 150V (135V for the -LZ option, 115 V for the –AV option.) with the left shuttle.
5. Enable the output by pressing the output “on/off” button in the top right of the front panel. The green LED above the button will illuminate when the output is on. The output should be a clean 150V (135V for the -LZ option, 115 V for the –AV option) AC sinewave having less than 0.5 % distortion. (1 % for -AV option)
6. Apply full load (refer to table on Figure 3-7) to the output of the source and verify the output remains within 0.05 % of the initial 150V (135V for the -LZ option, 115 V for the –AV option) value or 75 mV. The output should still be clean and the distortion should still be less than 0.5 % at 60 Hz. (less than 1.0 % at 400 Hz for the –AV option).
7. Using the right shuttle set the output current limit value to 6 amps. If the unit is configured for Constant Current mode (factory default), the system should go into current limit and reduce the output voltage. This may create additional distortion on the output voltage. If the unit is configured for Constant Voltage mode, an error message will appear on the display (err. -300) that indicates an output fault condition and the output will go off. Return the current value to the maximum current and disconnect the load.
8. Repeat steps 4 through 7 but set the output for the following: Hi voltage range and the current limit to maximum value. The load value is different for the 300 V setting. (270 V for the LZ option, 230 V for the –AV option.) Refer to the table above for the relevant resistor values. For units that are factory configured with a single voltage range, these steps do not have to be repeated.

In the event the power source does not pass the functional test, refer to the calibration procedure in Section 6 or call California Instrument’s customer satisfaction department for further assistance.



| MODEL | RANGE | LOAD(R) | CURRENT |
|--------|-------|---------|---------|
| 2001RP | 150 | 11.2 Ω | 13.4A |
| 2001RP | 300 | 45 Ω | 6.7A |

Figure 3-7: Test Setup 2001RP

3.9 Current Limit - Modes of Operation

When the 2001RP is shipped from the factory, it is configured for the Constant Current Mode of operation. This mode means if the load current exceeds the programmed Current Limit value, the output current will continue at the programmed value.

The 2001RP can be configured to operate in the Constant Voltage mode. In this mode of operation, if the load current exceeds the Current Limit value, the output voltage will default with the output relay open. The Constant Voltage mode is only usable if the default voltage is set for 5.0 volts. If the default is any other voltage, the power source may display a fault at power up.

To configure the 2001RP, remove the input line voltage connection from the rear panel. Remove the top cover. Install jumpers W1 and W2 on the front panel controller. Reinstall the top cover.

4 Front Panel Operation

4.1 Functional Controls

The front panel can be divided in a small number of functional areas:

- Status Indicator lights
- Shuttle knobs
- LCD display
- Button controls



Figure 4-1: Front Panel View

4.1.1 Status Indicator Lights

Ten LED status indicators are located directly above the LCD display. These LED's correspond to the following conditions:

| | |
|--------------|--|
| REMOTE | The REMOTE LED indicates that the unit is in remote control mode. If the RS232C interface is used, the REMOTE state can be enabled by the controller using the SYST:REM command. Any time the REMOTE LED is lit, the front panel of the RP Series unit is disabled. There is no LOCAL button that allows the user to regain control of the front panel. The SYST:LOC command will enable the front panel controls. When using IEEE, the remote /local state is controlled by the REN (Remote Enable) interface line. |
| FAULT | The FAULT LED indicates an overtemperature condition. Overtemperature is usually caused by poor air flow. Check the air flow exhaust at the rear of the unit to make sure it is not obstructed. If the power source is configured for constant voltage, the indicator will illuminate for loss of sense lines or an overload condition. |
| OUTPUT | The Output LED indicates the status of the OUTPUT relay. The output relay is controlled by the OUTPUT ON/OFF button located directly below the LED. When the Output LED is not lit, the output voltage is not present at the output terminal regardless of the voltage setting. |
| RANGE - HIGH | The Range High LED indicates the selected output voltage range. When it is illuminated it indicates the high voltage range has been programmed. Any time the user switches voltage ranges, the output is programmed to zero volt. The output relay state is not changed however. |
| RANGE - AUTO | The Range AUTO LED indicates the 2001RP is in auto ranging mode and will switch voltage range automatically if the selected output voltage increments or decrements through the low range voltage limit. (150 V _{RMS} on standard units). During a range change, the output voltage will be programmed to zero momentarily. Some hysteresis is provided. See Figure 4-2. |
| FREQ | Illuminates when the LCD display shows the programmed frequency. In the calibration mode this indicator is not illuminated for calibrating the output voltage. When it is illuminated in the calibration mode the voltage measurement can be calibrated. |
| I RMS | Illuminates when the LCD displays shows the programmed current limit, measured current values, or current measurement calibration. |
| I PK | Illuminates when the LCD displays shows the measured peak current or peak current calibration. See Note. |
| PWR | Illuminates when the LCD displays shows the measured power or power calibration. See Note. |

PF

Illuminates when the LCD displays shows the measured power factor. It also illuminates in the calibration mode of operation. In calibration mode, the PF LED is always lit in combination with the measurement or output junction being calibrated. In normal mode of operation, only one LED in this group is on at a time. See Note.

Note: For peak current, power and power factor measurements, Option -OP1 is required. If this option is not installed, these functions are not available and the SELECT button will only toggle between FREQ and CURR modes.

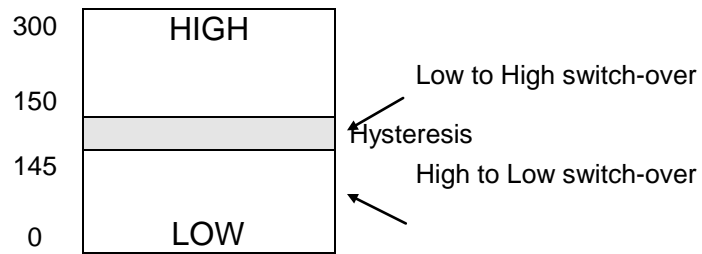


Figure 4-2: Voltage Auto Range Switch Over Points

4.1.2 Shuttle knobs

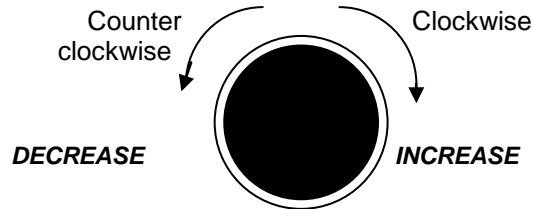


Figure 4-3: Shuttle Knob

There are two shuttle knobs located below the LCD display which are used to change setup parameters for voltage, frequency and current limit. The SELECT button selects the function of the right shuttle. The right shuttle will control either the frequency or the current limit as indicated by the indicator above the right LCD. The left shuttle always controls the voltage.

4.1.3 Buttons

There are three function buttons for the Output Voltage Range, Output State and Shuttle Mode. The following is a description of these buttons:

| KEY | DESCRIPTION |
|--------|---|
| RANGE | <p>The RANGE button is used to change the voltage range between the low range (0 to 150, 135 or 115 volts) and high range (0 to 300, 270 or 230 volts). The LED above the switch will light to indicate the high voltage range selection. The output voltage will be reset to zero voltage after a range change. If the 2001RP-AV is configured for a single voltage range, this button is disabled.</p> <p>The same button may be used to put the 2001RP in the AUTO voltage range change mode. This button toggles from Lo, Auto, Hi and back to Lo. The AUTO LED will illuminate when the AUTO range mode is enabled. While in AUTO mode, the 2001RP will switch to the high range whenever a value larger than the low range limit is programmed. Whenever a value below the low range limit is programmed, the unit will switch to the low voltage range. The output is momentarily interrupted when a range change occurs.</p> <p>To take the unit out of AUTO mode, press the RANGE button again.</p> |
| OUTPUT | <p>The OUTPUT button will toggle the output relay to connect or disconnect the output. The LED above the button will light when the output relay is closed. No output voltage will be present when the OUTPUT button is off despite the level of voltage programmed.</p> |

SELECT

The SELECT button selects the function of the right Shuttle knob and the LCD display. The Shuttle will control the output frequency and the display will show the program frequency value when the mode selection is frequency. The Shuttle knob will program the current limit and the display will show its value in the current mode. The display will revert back to showing the measured current after 3 seconds from the last movement of the shuttle.

The SELECT button also allows selection of the desired measurement function readout. Available selections are:

- Current (Also puts the shuttle in Current Limit set mode)
- Peak Current
- Power
- Power Factor

Measurements are updated 4 times per second. The display mode is indicated by the LED's above the LCD display. Note that voltage measurements are available through the Voltage LCD.

(CAL)

There is a switch behind this hole in the front panel. When the switch is depressed with the proper tool, the PF indicator will illuminate to indicate the calibration mode has been selected. The table below shows the calibration mode LED indications after the (CAL) button is depressed.

| CALIBRATE | INDICATORS ILLUMINATED |
|--------------------------|------------------------|
| Output voltage | PF only |
| Voltage measurement | PF and FREQ |
| Current measurement | PF and IRMS |
| Peak current measurement | PF and IPK |
| Power measurement | PF and PWR |

4.1.4 LCD Displays

Settings and measurements are shown on two 4 digit, 7 segment displays. The voltage display shows the programmed voltage as the user turns the left knob. After releasing the knob for about 3 seconds, this display reverts back to displaying the measured output voltage. The right hand LCD display is a multi purpose display. For setup purposes, it displays either Frequency or Current limit settings. After about 3 seconds on inactivity, this display switches to the selected measurement parameter. The SELECT button will define the operating mode or the selected measurement parameter for the right hand display.

4.2 How to examples...

This section covers some common tasks that are often performed with an AC power source. These examples are written in a How to... format and provide step by step instructions on how to set up the AC Source for a specific task.

4.2.1 Set the Output

Output parameters are Voltage, Frequency and Current Limit.

1. Disable the output by pressing the OUTPUT button. The LED above the button will turn off.
2. Use the left shuttle to set the output voltage. Clockwise will increase the output, counter clockwise will reduce the output. The display above the shuttle will show the voltage setting.
3. Use the right shuttle to set the frequency and current limit. The SELECT button will define the function of the shuttle and the display above it. The Frequency or Current LED will turn on to indicate the function controlled by the right shuttle.
4. Enable the output by pressing the OUTPUT button.

4.2.2 Slew Output Values

The output parameters can be slewed using the shuttles.

1. Enable the output by pressing the OUTPUT button. The LED above it will turn on.
2. Use the left shuttle to set the output voltage. Clockwise will increase the output, counter clockwise will reduce the output. The display above the shuttle will show the voltage setting.
3. Use the right shuttle to set the frequency and current limit. The SELECT button will define the function of the shuttle as indicated by the display above it. The LED's located above the display will indicate the selected function.

4.2.3 Display Measurement Data

Measurements can be called up as follows:

1. For voltage, the left display always displays the measured output voltage unless the knob is turned. As the knob is turned, the programmed voltage will be displayed instead. After releasing the knob for about 3 seconds, the display reverts back to the measured voltage.
2. All other measurements can be displayed by using the SELECT button to toggle through the available measurements. The LED's above the LCD indicate the current selection. The knob only affects programmed frequency and current limit.
3. Moving the right shuttle knob will interrupt the select measurement and put the display back in Current Limit adjust mode.

Note: For peak current, power and power factor measurements, Option -OP1 is required.

4.2.4 Change the Voltage

The voltage range can be changed as follows (If the 2001RP-AV is configured for a single voltage range, this does not apply):

1. Press the RANGE button located in the upper left corner. The output voltage will reset to 0 volts.
2. Use the left shuttle knob to set the output voltage.

The AUTO voltage range can be selected as follows:

3. Press the RANGE button located in the upper left corner. The AUTO LED will illuminate. The AC source is now in Auto range mode. Turn the left shuttle knob to a value above 150 V. The unit will switch to high range and the HIGH LED will illuminate.
4. Turn the left shuttle knob to reduce the voltage to a value below 150 V. The AC source will switch to the low voltage range and the HIGH LED will turn off.

To turn off the AUTO voltage range, proceed as follows:

5. Press the RANGE button. This puts the AC source back in normal mode. The voltage range that was in effect does not change. The AUTO LED will turn off.
6. Press the RANGE button again to toggle voltage ranges.

4.2.5 Control the Output

The Output can be disabled or enabled using the ON/OFF button as follows:

1. Pressing the OUTPUT button when the output LED is on will open the AC source output relay. The programmed voltage setting will remain at the last program value.
2. Pressing the OUTPUT button again will close the output relay and the output will revert to the last programmed value.

4.2.6 Measure Peak Inrush Current (Requires -OP1 Option)

The peak current measurement function of the 2001RP uses a sample and hold circuit to track the highest peak current found until reset. The peak current sample and hold circuit is reset any time the user toggles away from the peak current display mode to a different measurement.

The peak inrush current for a unit under test can be measured using this function as follows:

1. Program the output to zero volts and open the output relay using the ON/OFF button.
2. Use the SELECT button to display the present peak current value.
3. Use the SELECT button again to toggle to any other measurement readout. This will effectively reset the peak current sample and hold circuit to zero amps.
4. Use the left shuttle knob to set the voltage to the nominal supply voltage of the unit under test.
5. Use the ON/OFF button to apply the programmed voltage to the unit under test.
6. Use the SELECT button to display the measured peak current value.

Note: **The 2001RP output is turned on at random phase angle. It may be necessary to repeat this test to find the highest possible peak inrush current demanded by the unit under test.**
 Phase angle control is available over the bus if the -OP1 option package with IEEE-488/RS232C interface is installed.

4.3 Setting the Power on Initialization Values

The 2001RP is supplied with default factory settings when the unit is powered up. The factory settings are:

| Parameter | Factory default setting |
|----------------------|---|
| Voltage range | Low |
| Auto Voltage Range | OFF |
| Voltage | 5.0 Volt |
| Frequency | 60 Hz (400 Hz on 2001RP-AV models) |
| Current limit | 13.4 amps (17.4 amps on 2001RP-AV models, 14.8 amps on 2001RP-LZ models). |
| Display mode | Frequency |
| Output Relay state | OFF |
| Output start state | OFF |
| Output start phase | 0 degrees |
| Local / Remote State | Local. Front panel unlocked. |

Table 4-1: Factory Default Power on Settings

It is possible to change the power on initialization values in one of two ways:

1. Using the optional RS232 or IEEE-488 interface and the supplied PGUI32 program.
2. Using the front panel.

To change the power on initialization values from the front panel, proceed as follows:

1. Set the unit up in the desired way from the front. (Range, voltage, frequency, current limit, output relay state, display mode).
2. Press and hold the SELECT key (normally toggles LCD display mode). Make sure the correct indicator LED is illuminated, e.g., FREQ to display voltage and frequency.
3. While holding the SELECT key, press the OUTPUT ON/OFF key. This will save the present front panel settings in non volatile memory register (NVM) no 7 and assign this register as the power on register.
4. Release both keys. Note that as step 2 is executed, the display mode will toggle . This means the display mode after power up is different from how the unit was set up. To avoid this, just toggle the display till one position before the desired power on mode first and then execute steps 2-4.
5. This procedure can be repeated as often as needed by the user.

4.4 Current Limit Modes

The 2001RP supports two modes of current limiting. In either mode, the end user can set the RMS current level at which the current limit function will kick in. The available current limit modes are:

| | |
|----------------------------|---|
| Constant Current (CC) mode | This is the default mode as supplied from the factory. In this mode of operation, the output voltage is automatically reduced by the AC power source to maintain the set current. Once the current drawn drops below the set limit value, the voltage is increased again. No error message is generated in this mode of operation. This mode is suitable for starting up loads that require high inrush currents but don't need full nominal voltage to run. (example AC motors). |
| Constant Voltage (CV) mode | In this mode of operation, the output of the AC source is turned off and the programmed voltage is set to 0 volt as soon as the load current exceeds the set current limit value. (Trip current). |

The selected current limit mode may be changed by moving a jumper on the AC power source controller board. This requires that the AC source is disconnected from the AC line and the top cover is removed. The current mode jumper is located at the top of the controller board which is directly behind the front panel.

| MODE | JUMPERS |
|------|---------------------|
| CC | W1 and W2 Removed |
| CV | W1 and W2 Installed |

4.5 Function Strobe [Option]

The Function Strobe (FS) is a TTL logic level signal provided at the rear panel of the 2001RP. This signal is synchronized to any voltage and frequency output changes of the AC source and may be used to trigger external test equipment such as oscilloscopes.

Default mode of operation

The function strobe is an active low TTL output signal. Each sync pulse lasts approximately 400 μ sec . The output changes on the falling edge of the function strobe output.

Alternative mode of operation

The function strobe output logic uses the GPIB interface DC supply to provide the required logic levels. If the GPIB interface is connected to the user's PC, excessive ground noise may prevent the function strobe from operating correctly. If this is the case, the output mode of the function strobe may be changed to provide an open collector output instead. In this case, the end user has to provide an external DC power supply and pull-up. A 9 Volt DC battery may be used for this purpose. Contact AMETEK Programmable Power ' service department for details on changing the operation of the FS output.

4.6 Remote Inhibit [Option]

A Remote Inhibit BNC input is located on the rear panel of the 2001RP if the -OP1 option was specified at the time of purchase. This input may be used to kill the AC source output using an external control signal.

Default mode of operation

If the Remote Inhibit input is left unconnected, the output of the AC source can be turned on using the ON/OFF button on the front panel or the appropriate bus command. To disable the output relay, a logic low level or a contact closure needs to be present across the terminals of the BNC (RI) connector.

Typical use of the RI input is in rack and stack systems where the RI input is wired to a switch that detects removal of the rear panel. This input may also be used to simultaneously shut down multiple AC power sources.

Note that the RI input has an internal pull up resistor to TTL logic high. When the RI input cable is disconnected, the output will recover and the output relay will be closed automatically.

5 Principle of Operation

5.1 General

An explanation of the circuits in the AC Source is given in this section. Refer to block diagram in figure 5-1.

5.2 Overall Description

Input power at the rear panel is routed through the EMI filter and circuit breaker to the high current rectifier and the Power Supply Assembly, A6. The various DC supply outputs then go to the Mother Board, A4, then are directed to other modules.

The Programmable Oscillator Assembly, A8, generates the oscillator waveforms, power source controls and measurement signals. The oscillator assembly is connected to the rest of the power source through the Oscillator Interface Board, A3.

The Amplifier Module, A7, takes its DC supply voltages and input signal from the Mother Board, A4. It produces the high power output for the primary of the output transformer, T1. The output is routed through the Mother Board to the output transformer.

The Range Relay Board is identified as A2. This board assembly configures the secondaries of the output transformers for the correct output voltage range. The output from the AC Power Source is taken from the Range Relay Board.

The Current Limit Board is identified by A5. This board controls the amplifier gain and the Programmable current limit.

5.3 Input Power Supply

This assembly is identified as A6. It generates the high power +300 VDC supply used for the power amplifier. This supply uses a 20A fuse (F2) to protect the amplifier.

The input power supply also has circuits that generate auxiliary DC voltages identified as $\pm 18V$, $\pm 15VSW$ and +8 ISO.

The $\pm 18V$ supplies are used for the oscillator. The +8 ISO is used for the RS232/GPIB board. The $\pm 15VSW$ supplies are used for the Amplifier Module.

The input power supply also generates 50 VDC and 15VSW1 from the 300 volt DC supply. The 50 VDC is used for fan and relay operation, +15VSW1 is used for the gate drive signal in the Amplifier Module. The switching circuit that generates these voltages is protected with a 1/2A fuse (F1).

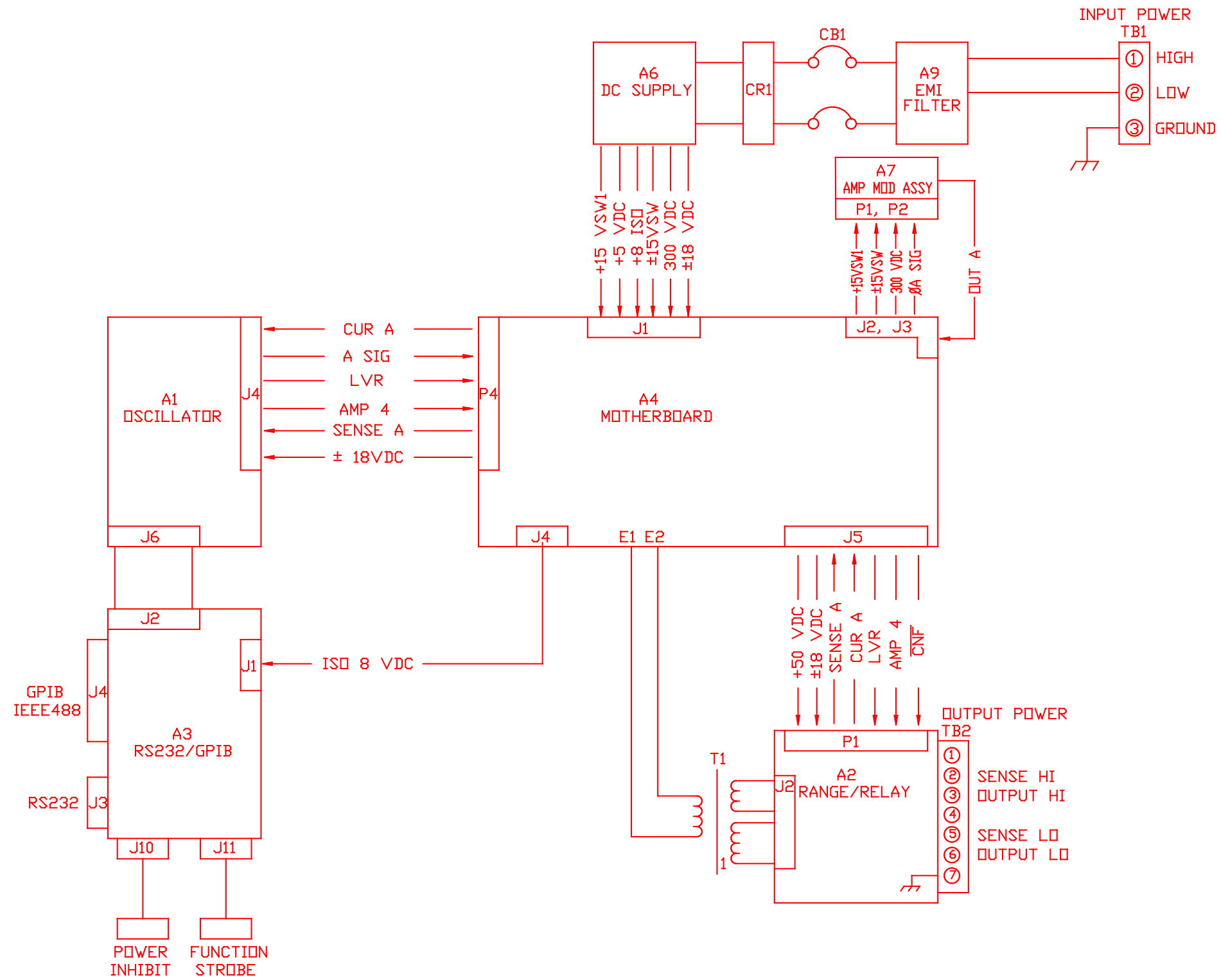


Figure 5-1: AC Power System Block Diagram

5.4 Range Relay Board

The Range Relay Board, Module Assembly A2, has all of the AC Power Source relays. These relays are operated from +50 VDC. The output relay is controlled by the CNF Logic Line. The range relay is controlled by the LVR line.

There is a current transformer on the Range Relay Board. This transformer generates an AC voltage that is proportional to the output current. The current transformer burden resistor has two different values for the two current measurement ranges. The relay for the measurement ranges is controlled by the AMP 4 line.

The Range Relay Board also has an instrumentation amplifier. This amplifier is used to remotely sense the output voltage. The signal from the instrumentation amplifier is SENSE A.

5.5 Amplifier Module

The AC Power Source uses a switch-mode full bridge amplifier module to obtain high efficiency. The switched mode amplifier operates at 200 kHz. The amplifier module is designated A7.

The Amplifier Module obtains its input signal from the Current Limit Board. A 5.0V RMS input signal will generate a full-scale output voltage at the output of the AC Power Source and 100.0V RMS on the primary of the output transformer.

The Amplifier Module requires 300 VDC, ± 15 VSW and +15VSW1 supplies. The +300 VDC supply comes from the DC input power supply.

The Amplifier Module has a thermo-switch mounted on its heat sink. If the heat sink temperature exceeds 100 degrees C, the amplifier shuts down and sends an OVT signal to the oscillator module. Logic low on the OVT control line will cause the front panel FAULT indicator to be illuminated.

5.6 Oscillator Module

The Oscillator Module is designated A1. The module consists of one printed circuit assembly. This assembly is interconnected to the Mother Board.

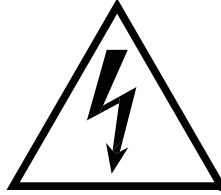
The Oscillator Module has the circuits to perform the following operations:

1. Generates the output voltage sinewave.
2. Interprets the Voltage, Frequency and Current limit commands from the front panel and RS232/GRIB Board.
3. Attenuates the oscillator drive signal to operate in a constant current mode.
4. Measures the output voltage, current, peak current and power.
5. Performs voltage dropouts at a designated phase angle.

5.7 IEEE 488/ RS232 Interface [Option]

The 2001RP can optionally be outfitted with a combined RS232C and IEEE 488 interface board. This board assembly has opto-couplers for interface isolation.

The GPIB address for the AC source is selected by a DIP switch on the rear panel. Only one interface can be active at any given time and must be selected using DIP switch position 6. (Refer to Figure 8-2).



CAUTION

VOLTAGES UP TO 300 V_{AC} AND 350 V_{DC} ARE PRESENT IN CERTAIN SECTIONS OF THIS POWER SOURCE. THIS EQUIPMENT GENERATES POTENTIALLY LETHAL VOLTAGES.



DEATH

ON CONTACT MAY RESULT IF PERSONNEL FAIL TO OBSERVE SAFETY PRECAUTIONS. DO NOT TOUCH ELECTRONIC CIRCUITS WHEN POWER IS APPLIED.

6 Calibration

Routine calibration should be performed every 12 months. Non-routine calibration is only required if a related assembly is replaced or if the periodic calibration is unsuccessful.

Calibration can be performed through the front panel by putting the 2001RP in Calibration mode (CAL mode) or over the RS232C or IEEE-488 bus if the interface option is installed. For bus calibration, the PGUI32 program may be used. Refer to the PGUI32 help file supplied with the program for instructions on calibration over the remote control bus.

All routine calibrations can be performed without removing the top cover (Closed case calibration). For the LZ option, program 135V or 270V for 150V or 300V respectively.

6.1 Calibration Equipment

| | |
|-----------------------------|---|
| Digital Multimeter (DMM): | Two (2) HP 34401A |
| 100 milliohm Current Shunt: | Isotek Model RUG-Z-R100-0.1 or equivalent |
| Load Bank: | Various power load resistors will be needed |

| Model | Range | Current max. | Load |
|-----------|--------------------|--------------|---------------|
| 2001RP | 150 V | 13.4 A | 11.2 Ω |
| | 300 V | 6.7 A | 45.0 Ω |
| 2001RP-AV | 115 V | 17.4 A | 6.6 Ω |
| | 230 V ⁴ | 8.7 A | 26.4 Ω |
| 2001RP-LZ | 135 V | 14.8 A | 9.1 Ω |
| | 270 V | 7.4 A | 36.5 Ω |

Table 6-1: Load Resistors and Current

⁴ Some 2001RP-AV may be factory configured for single voltage range only. In this case, the 230 V range is not available.

6.2 Selecting Calibration Mode

The 2001RP can be placed in calibration mode (CAL mode) by depressing the recessed CAL button located on the front panel using a pen or similar pointed object. Depressing this button for a brief moment will place the 2001RP in CAL mode, indicated by the illumination of the PF LED. While in CAL mode, the front panel controls are used to adjust the various calibration parameters. Both controls and status indicators take on different functions while the unit is in CAL mode. The SELECT button is used to select the various measurement parameters that can be calibrated in this mode. The following status indications are in effect while in CAL mode:

| Status LED | CAL mode * (PF LED illuminated) | Normal operating mode * |
|------------|--|---|
| FREQ | Indicates voltage measurement calibration is selected. If this LED is not lit while in CAL mode, the Output Voltage calibration mode is selected. | Indicates frequency setting or measurement is displayed on right LCD. |
| I RMS | Indicates current measurement calibration is selected. | Indicates current limit setting or current measurement is displayed on right LCD. |
| I PK | Indicates peak current measurement calibration is selected. | Indicates peak current measurement is displayed on right LCD. |
| PWR | Indicates power measurement calibration is selected. | Indicates power measurement is displayed on right LCD. |
| PF | Indicates 2001RP unit is in calibration mode. | Indicates power factor measurement is displayed on right LCD. |

Table 6-2: CAL Mode Status LED Indicators

* Some measurement functions are optional and may not be available. The calibration mode will only select measurement calibration for measurement functions that are installed.

Note that in normal mode of operation, at no time more than one of the measurement mode selection LED's are lit at the same time. In CAL mode however, the PF LED is always on, in addition to one of the other four measurement selection LED's or no other LED for output voltage calibration.

6.3 Routine Calibration

Setup:

Connect the test equipment to the power source as shown in Figure 6-1. The DMM can be connected to the common output terminal at the rear of the unit.

Never connect the load wire to the SENSE terminal at the Rear Panel terminal strip. The load must be connected to the POWER output terminal and a jumper between the POWER and SENSE terminal. Always connect the external DVM to the SENSE terminal.

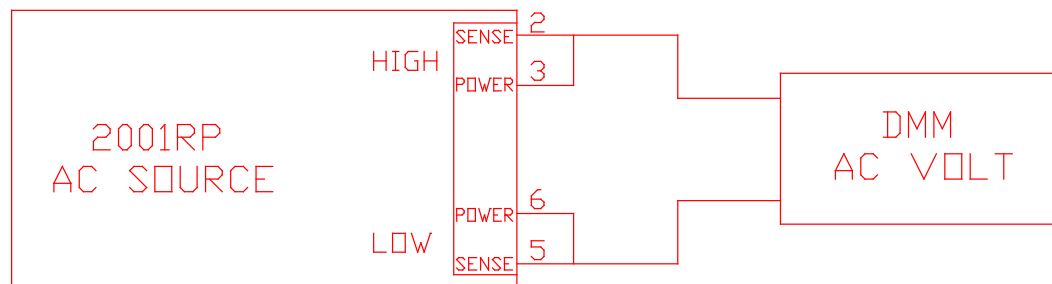


Figure 6-1: Test Equipment Hookup for Routine Output and Voltage Measurement Calibration

6.3.1 Output Voltage Calibration

1. Select the high voltage range. Set the output frequency to 60 Hz (400 Hz on 2001RP-AV). Set the output voltage to 240 volts. (230 Volts on model 2001RP-AV) (115 Volts for 2001RP-AV with one range).
2. Remove the load and enable the output voltage with the Output ON/OFF button.
3. Put the 2001RP in CAL mode by pressing the recessed CAL button.
4. Use the SELECT key to toggle to the output voltage calibration mode. In this mode, all LED's excepts the PF LED are off.
5. Use the Left control knob to adjust the output voltage displayed on the external reference DMM until it reads as close as possible to 240 V_{AC}. (230 Volts for model 2001RP-AV) (115 volts for 2001RP-AV with one range).
6. Press the CAL button to leave the calibration mode.

6.3.2 Measurement Calibration - Low Scale

Note: Measurement calibration can be done at any output frequency setting as only one set of calibration coefficients is used for measurement calibration. However, for best results, calibrate the measurements at the frequency which is used in most applications, e.g. 50 Hz, 60 Hz (except model 2001RP-AV) or 400 Hz. Refer to Table 6-1 for correct load resistors based on model number.

Low Scale Voltage Measurement Calibration

1. Connect the test equipment to the power source as shown in Figure 6-2. **Do not** connect any load during this step. Voltage calibration must be done under no load conditions.
2. Select the Low Voltage Range and program the output voltage to 10 volt AC.
3. Put the 2001RP in CAL mode by pressing the recessed CAL button.
4. Use the SELECT key to select the Voltage Measurement calibration mode. This mode is indicated by the FREQ LED.
5. Use the left control knob to adjust the voltage reading shown on the right hand LCD until it reads as close as possible to the reference reading as displayed on the external DMM.

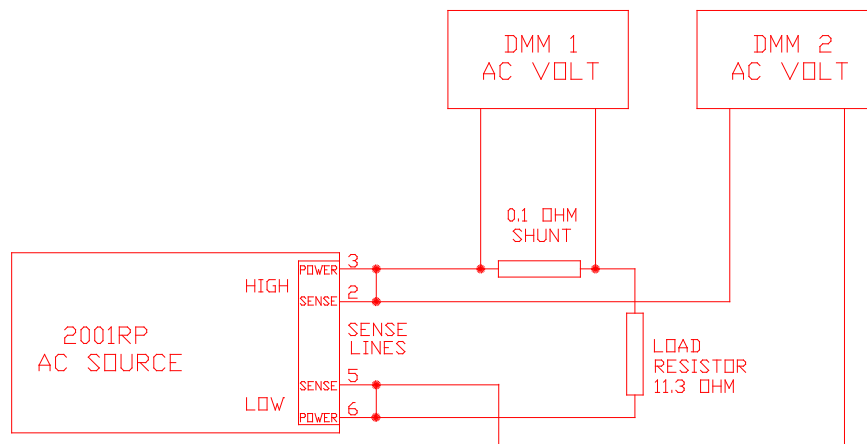


Figure 6-2: Test Equipment Hook-up for Current and Power Measurement Calibration

Low Scale Current Measurement Calibration

1. Connect the test equipment to the power source as shown in Figure 6-1.
2. **Do not** apply a load to the output terminals. Make sure the external DMM used for voltage measurement is across the same terminals.

3. The output voltage must be programmed to 10.0 volts.
4. Use the SELECT key to select the Current Measurement calibration mode. This mode is indicated by the I RMS LED.
5. Use the left control knob to adjust the current reading shown on the right hand LCD until it reads as close as possible to 0.0. Do not go past a reading of zero.

Low Scale Peak Current Measurement Calibration

1. Connect the test equipment to the power source as shown in Figure 6-1. Do not connect the load.
2. Program the output voltage to 10.0 volts.
3. Use the SELECT key to select the Peak Current Measurement calibration mode. This mode is indicated by the I PK LED.
4. Use the left control knob to adjust the peak current reading shown on the right hand LCD until it reads as close as possible to 0.0. Do not go past a reading of zero.

Low Scale Power Measurement Calibration

1. Connect the test equipment to the power source as shown in Figure 6-1. Do not connect the load.
2. Program the output voltage to 10.0 volts.
3. Use the SELECT key to select the Power Measurement calibration mode. This mode is indicated by the PWR LED.
4. Use the left control knob to adjust the power measurement reading shown on the right hand LCD until it reads as close as possible to 0.0. Do not go past a reading of zero.

Note: **The method of adjusting the low scale values for voltage, current and power insure that the measured value is correct for small values. Under a no-load condition, however, the measured value may not be 0**

6.3.3 Measurement Calibration - Full Scale

Note: Measurement calibration can be done at any output frequency setting as only one set of calibration coefficients is used for measurement calibration. However, for best results, calibrate the measurements at the frequency which is used in most applications, e.g. 50 Hz, 60 Hz (except model 2001RP-AV) or 400 Hz.
Refer to Table 6-1 for correct load resistors based on model number.

Full Scale Voltage Measurement Calibration

1. Connect the test equipment to the power source as shown in Figure 6-1. **Do not** connect any load during this step. Voltage calibration must be done under no load conditions.
2. Select the High Voltage Range and program the output voltage to 240.0 volts AC or the maximum voltage available if less than 240 Volts.
3. Put the 2001RP in CAL mode by pressing the recessed CAL button.
4. Use the SELECT key to select the Voltage Measurement calibration mode. This mode is indicated by the FREQ LED.
5. Use the left control knob to adjust the voltage reading shown on the right hand LCD until it reads as close as possible to the reference reading as displayed on the external DMM.

Full Scale Current Measurement Calibration

1. Connect the test equipment to the power source as shown in Figure 6-2.
2. Apply the 11.3 Ω resistive load to the output terminals. Make sure the external DMM used for voltage measurement is across the sense terminals.
3. Program the output voltage to a value that produces between 3 and 3.9 amps. Do not load the output for more than 3.9 amps.
4. Use the SELECT key to select the Current Measurement calibration mode. This mode is indicated by the I RMS LED.
5. Use the left control knob to adjust the current reading shown on the right hand LCD until it reads as close as possible to the reference reading indicated by the DMM measuring the current shunt voltage (DMM 1). Note that .39 V reading represents 3.9 Amps if the recommended 100 m Ω shunt is used.

Full Scale Peak Current Measurement Calibration

1. Connect the test equipment to the power source as shown in Figure 6-2.
2. Select the low voltage range and program the output voltage to a value that produces about 13 Amps rms.
3. Use the SELECT key to select the Peak Current Measurement calibration mode. This mode is indicated by the I PK LED.

4. Use the left control knob to adjust the peak current reading shown on the right hand LCD until it reads as close as possible to the reference reading derived from the external DMM (DMM 1). Remember the peak current value is equal to 1.414 times the value shown on the external DMM.

Full Scale Power Measurement Calibration

1. Connect the test equipment to the power source as shown in Figure 6-2.
2. Program the output voltage to a value that produces about 13 A rms.
3. Use the SELECT key to select the Power Measurement calibration mode. This mode is indicated by the PWR LED.
4. Calculate the power by multiplying the external reference current reading (DMM 1) with the external reference voltage reading (DMM 2).
5. Use the left control knob to adjust the power measurement reading shown on the right hand LCD until it reads as close as possible to the calculated power reading.

6.4 Non-Routine Calibration

The following calibrations are not required on a routine basis:

High Current Measurement Range (Section 6.4.1). After the low current measurement range, 0 to 4 A, is calibrated, the high range should be within it's specification range. If it is not, this adjustment must be performed.

Current Limit Adjustment (Section 6.4.2). This calibration is only required if the output current, while operating in the constant current mode, is not equal to or more than the programmed value.

Open Sense Adjustment (Section 6.4.3). This adjustment must be made if the output voltage can't be calibrated while operating in the constant current mode. If the output faults, with no-load, while operating in the Constant Voltage mode, this adjustment must also be made.

All of the non-routine calibration adjustments must be made with the top cover removed. Refer to Figure 6-3 for the location of the internal adjustments.

6.4.1 High Current Measurement Range Adjustment

| | |
|--------------|--|
| Note: | If the Current Limit and High Current Measurement Range Adjustments are both adjusted, the High Current Measurement Range must be adjusted first. |
|--------------|--|

1. Connect the test equipment as shown in Figure 6-2. Use the 11.3 ohm load.
2. Program the output voltage to 150V (135V for -LZ option, 115 V for -AV option) on the low voltage range and 60 Hz (400 Hz for -AV option).
3. Use the **SELECT** key to select the Current Measurement display. Note that this is not the Current Measurement calibration mode. Only the I RMS LED should be illuminated.

4. Observe the actual output current as shown on the external DMM and current shunt. Adjust R3 on the Range/Relay Board for a measurement display equal to the actual output current.

CAUTION: The amplifier wind tunnel must be covered for proper cooling if the adjustment takes more than 1 minute.

6.4.2 Current Limit Adjustment

Note: If the Current Limit and High Current Measurement Range Adjustments are both adjusted, the High Current Measurement Range must be adjusted first.

1. Connect the test equipment as shown in Figure 6-2. Use the 11.3 ohm load.
2. Program the current to 10.0 A. Program the output to 150V (135V for the -LZ option, 115 V for the -AV option) on the low voltage range and 60 Hz. (400 Hz for the -AV option).

CAUTION: The amplifier wind tunnel must be covered for proper cooling if the adjustment takes more than 1 minute.

1. Adjust R50 on the Oscillator Board for an output current of 10.5 A.

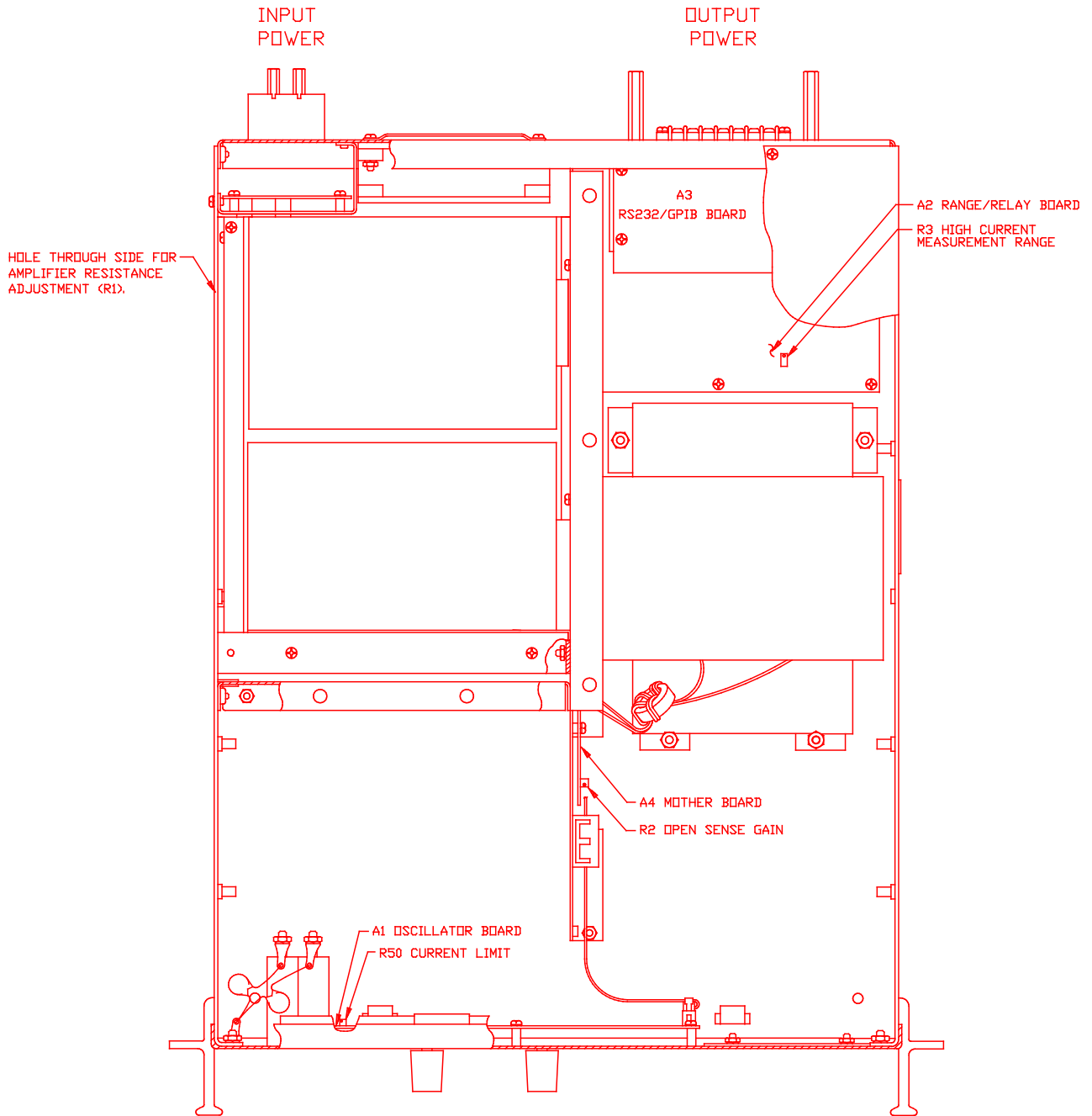


Figure 6-3: Internal Adjustments

6.4.3 Open Sense Adjustment

Connect the test equipment as shown in Figure 6-1.

NOTE: **The 2001RP must be configured for the Constant Current Mode of operation for this procedure. For this mode jumpers W1 and W2 on the controller must be removed.**

Disconnect the SENSE HIGH terminal on the rear panel terminal strip. Connect the external AC DMM between the two output POWER terminals on the rear panel.

Program the output to 100.0 volts and adjust R2 on the Mother Board for an output voltage of 115 volts.

Turn off the front panel circuit breaker and reinstall the top cover. Also reconnect the external SENSE terminals at the rear panel.

7 Service

7.1 General

This section describes suggested maintenance and troubleshooting procedures. The troubleshooting procedure is divided into two sections. The first section deals with basic operation and connection of the equipment. The second section requires opening the unit and using the LED indicators and a simple multimeter to troubleshoot the unit down to the module level. Only a qualified electronic technician should attempt this level of troubleshooting.

7.2 Basic Operation

Table 7-1: Basic Symptoms

| PARAGRAPH | PROBLEM |
|-----------|--|
| 7.2.1 | Poor Output Voltage Accuracy |
| 7.2.2 | Poor Output Voltage Regulation |
| 7.2.3 | Distorted Output |
| 7.2.4 | Unit Shuts Down After 3-5 Seconds |
| 7.2.5 | No Output and no lights on front panel |
| 7.2.6 | No output but "Display" on front panel is on |
| 7.2.7 | Fault Lamp on |
| 7.2.8 | Can't program AC Power System on GPIB/RS232 |

7.2.1 Poor Output Voltage Accuracy

If the power source exhibits poor programmed voltage accuracy, the following item may be at fault:

Table 7-2: Poor Output Voltage Accuracy

| CAUSE | SOLUTION |
|-------------------------------|-----------------------|
| The calibration is incorrect. | Calibrate the output. |

7.2.2 Poor Output Voltage Regulation

If the AC Power Source exhibits poor voltage regulation the following item may be at fault:

Table 7-3: Poor Output Voltage Regulation

| CAUSE | SOLUTION |
|--|---|
| The Remote Sense lines are not connected at the same point monitored by the external voltmeter used for load regulation check. | Connect AC voltmeter to Remote Sense lines on the Rear Panel Power Output terminal strip. |

7.2.3 Distorted Output

Table 7-4: Distorted Output

| CAUSE | SOLUTION |
|---|---|
| Power source is grossly overloaded. | Reduce load. |
| The crest factor of the load exceeds 3:1. | Reduce load current peaks by reducing load. |

7.2.4 Unit Shuts Down After 3-5 Seconds

Table 7-5: Unit Shuts Down After 3-5 Seconds

| CAUSE | SOLUTION |
|---|---|
| Output shorted. | Remove output short. |
| Output grossly overloaded. | Remove overload. |
| Operating load with too high inrush or start up currents. | Consult factory for application advice. |

7.2.5 No Output and No Lights on Front Panel

Table 7-6: No Output and No Lights on Front Panel

| CAUSE | SOLUTION |
|--|--|
| Front panel power switched off. | Switch the breaker on. |
| No input power to the input connector. | Ensure correct input power. |
| Blown fuse. | Check fuse F1 and F2 on the DC power supply and replace with same type and rating. See Figure 7-2. |

7.2.6 No Output but “Display” on Front Panel is On

Table 7-7: No Output But “Display” Is On

| CAUSE | SOLUTION |
|---|---|
| “OUTPUT ON” switch is turned off. | Turn OUTPUT ON switch to “ON”. |
| Current limit programmed down or to zero. | Program current limit higher. |
| Voltage programmed down or to zero. | Turn amplitude control up. |
| Fault LED is lit. | Cycle Rear Panel power switch off and on. |

7.2.7 Fault Lamp On

If the power source Fault lamp is on, the following may be at fault:

| CAUSE | SOLUTION |
|---------------------------------------|--|
| Ambient temperature is too high. | Operate power source between 0 and 50°C. |
| Fan or ventilation holes are blocked. | Remove obstructions. |
| Fan not working. | Replace fan. Consult factory. |

If the 2001RP is configured to operate in the Constant Voltage mode, the Fault lamp comes on when the output load current has exceeded the programmed current limit value. If the AC Power Source Fault lamp is on, the following items may be at fault:

| CAUSE | SOLUTION |
|--|---|
| The output is overloaded. | Remove the overload. |
| The programmable current limit level is set too low for the load being driven. | Compute and reprogram the correct programmable current limit level. |
| The programmable current limit is incorrectly calibrated. | Perform the calibration in Section 6.4.2 |
| The Remote Sense lines are not connected. | On the Rear Panel Power Output terminal block, connect terminal 2 to 3. Also connect terminal 5 to 6. |

7.2.8 Can't Program AC Power System on GPIB or RS232

If the power source does not respond to IEEE-488 GPIB programming, the following items may be at fault:

| CAUSE | SOLUTION |
|--|---------------------------------------|
| The power source unit address is incorrect. | Update address. See section 8.3. |
| GPIB or RS232 cable is loose at power source rear panel. | Check connection, tighten jackscrews. |
| RS232/GPIB Assembly has failed. | Replace the RS232/GPIB Assembly. |

7.3 Module Removal

Figure 7-1 shows the location of the internal modules and assemblies. The figure shows the Amplifier Module, A7, with the insulator removed.

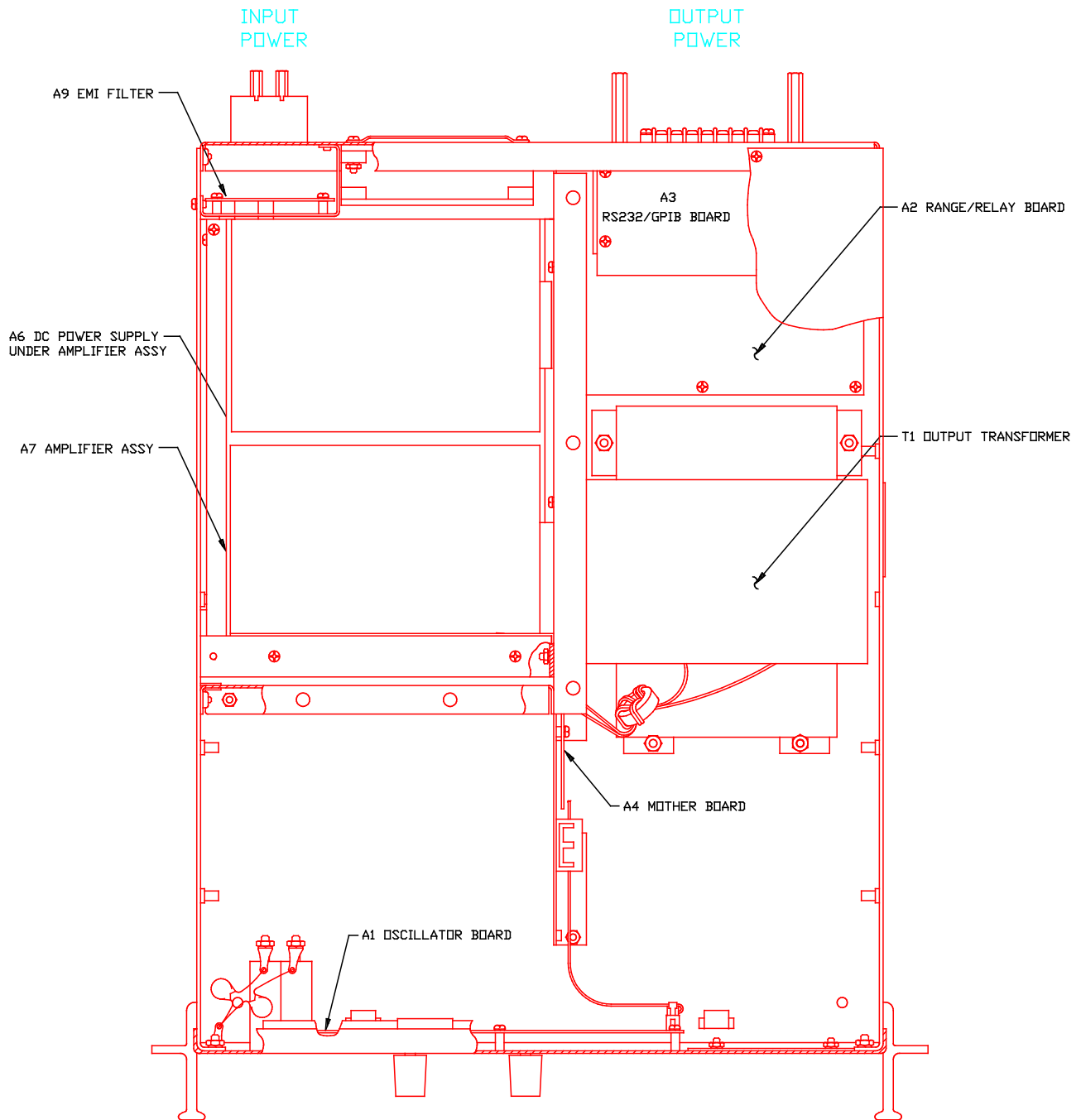


Figure 7-1: Assembly Location

7.3.1 Oscillator Module Removal/Replacement

If a fault is found that requires the replacement of the Oscillator Module (Assembly A1) follow the following steps and refer to

Figure 7-1 for the module locations:

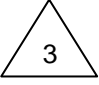
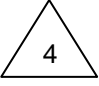
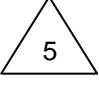
1. Turn off the front panel circuit breaker. Remove the input power from the rear panel terminal block.
2. Remove the top cover.
3. Remove the front panel knobs.
4. Remove 5 screws that hold the oscillator assembly to the front panel. The oscillator assembly can now be removed.

7.3.2 Amplifier Removal/Replacement

If a fault has been found that indicates the failure of the amplifier module (Assembly A7), check the condition of the +300 VDC fuse (F2) before replacing the amplifier. Refer to

Figure 7-1 for the location of the fuse.

If it is determined that the amplifier module must be replaced, perform the following procedure:

1. Turn off the input circuit breaker.
2. Disconnect AC input power at the rear panel.
- 
 3. Remove the AC Power Source top cover by removing (13) #6-32 x 5/16" FLH screws.
- 
 4. Remove the (2) #6-32 x 1" screws and lock washers that hold the amplifier module along the left chassis side panel.
- 
 5. Remove (2) #6-32 x 3/8" screws and lock washers located near the connector, attaching the red insulator to the center bracket.
6. Remove the amplifier by pulling it away from the connectors and lifting it up and out of the amplifier cage.
7. The amplifier may be replaced by following this procedure in reverse order.
8. Check the amplifier 20 A fuse (F2) located on the DC Supply Board, A6, and replace it if necessary.
9. After an amplifier has been replaced, readjust its gain.

7.4 Replaceable Parts

In order to ensure prompt, accurate service, please provide the following information, when applicable for each replacement part ordered.

- a. Model number and serial number of the instrument.
- b. California Instruments' part number for the sub-assembly where the component is located. (California Instruments PART #)
- c. Component reference designator. (SEQ #)
- d. Component description.
- e. Component manufacturers' FSCM number. (VENDOR)

All replaceable part orders should be addressed to:

AMETEK Programmable Power.

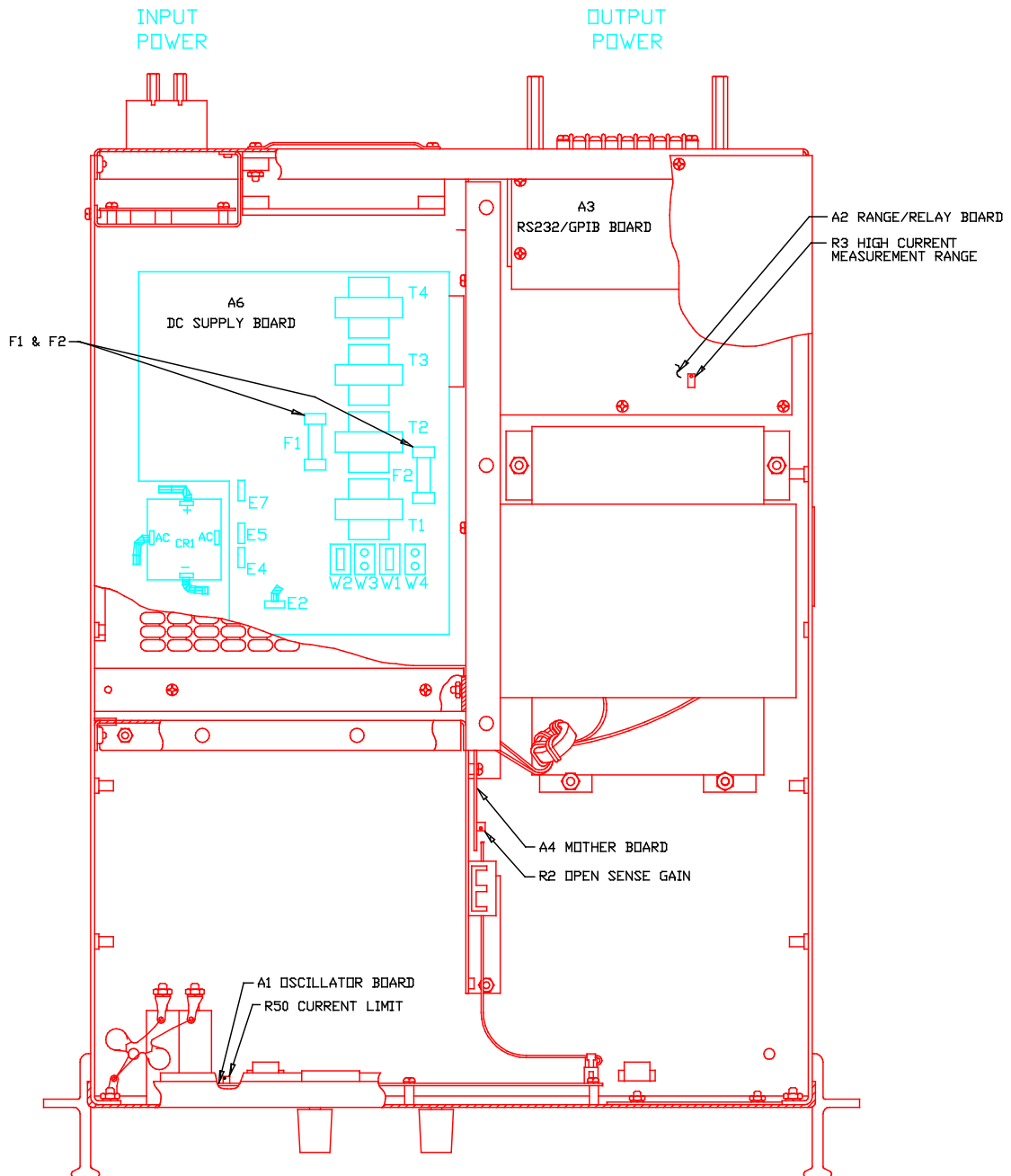
Attention: Customer Service
 9250 Brown Deer Road
 San Diego, California 92121
 United States of America

Orders may also be placed using the following fax number: 1 858 458 0267

| SEQ # | C.I. PART # | DESCRIPTION | VENDOR | QTY |
|-------|-------------|----------------------------|--------|-----|
| A1 | 4005-714-1 | PC Assy, Oscillator | 16067 | 1 |
| A2 | 4005-726-1 | PC Assy, Range/Relay | 16067 | 1 |
| A3 | 4005-702-2 | PC Assy, RS232/GPIB | 16067 | 1 |
| A4 | 4005-716-1 | PC Assy, Motherboard | 16067 | 1 |
| A6 | 4005-713-1 | PC Assy, DC Supply | 16067 | 1 |
| A7 | 4009-456-3 | PC Assy, Heatsink, SW Amp | 16067 | 1 |
| A9 | 4005-710-1 | PC Assy, EMI Filter | 16067 | 1 |
| B1 | 241175 | Fan, 4, 48 VDC | 23936 | 1 |
| F1 | 270064 | Fuse, 1/2A, 250V (slo-blo) | 71400 | 1 |
| F2 | 270176 | Fuse, 20A, 250V | 71400 | 1 |

Table 7-8: Replaceable Parts

Figure 7-2: Replaceable Fuse Locations



8 Remote Control

8.1 Introduction

The 2001RP can be furnished with a combination IEEE-488 and RS232C control interface at the time of purchase. This interface is part of the -OP1 option package. This interface option also includes the California Instruments Graphical User Interface program - PGUI32. This Windows™ program provides a soft front panel to the instrument when connected to a PC through the RS232C or IEEE-488 interface. Additional benefits are obtained from using the PC as a control interface. Some of these benefits include the ability to store measurement data to disk and produce output transients to simulate commonly occurring AC line conditions.

The PGUI32 is a Windows™ program and as such requires a PC capable of running Windows Windows 98, XP or Vista. For best performance, a Pentium based PC is recommended. Intel™.

Complete information on how to use the PGUI32 can be found in the on-line help supplied with the program. Use the Help menu or press on any of the many Help keys located in all program windows for an explanation of the relevant screen or function.

8.2 PGUI32 Program Requirements

To successfully install and operate the PGUI32 program, you will need the following equipment:

California Instruments AC power source. Supported models are :

- 1001P
- 1251P
- 801RP
- 1251RP
- 2001RP / 2001RP-AV / 2001RP-LZ

PC capable of running Windows 95™, Windows 98™ or Windows NT™

- RS232C communications port
 - RS232C serial cable (supplied with the -OP1 option package.) See next section for RS232C cable wiring
- or
- National Instruments IEEE-488 Controller Card

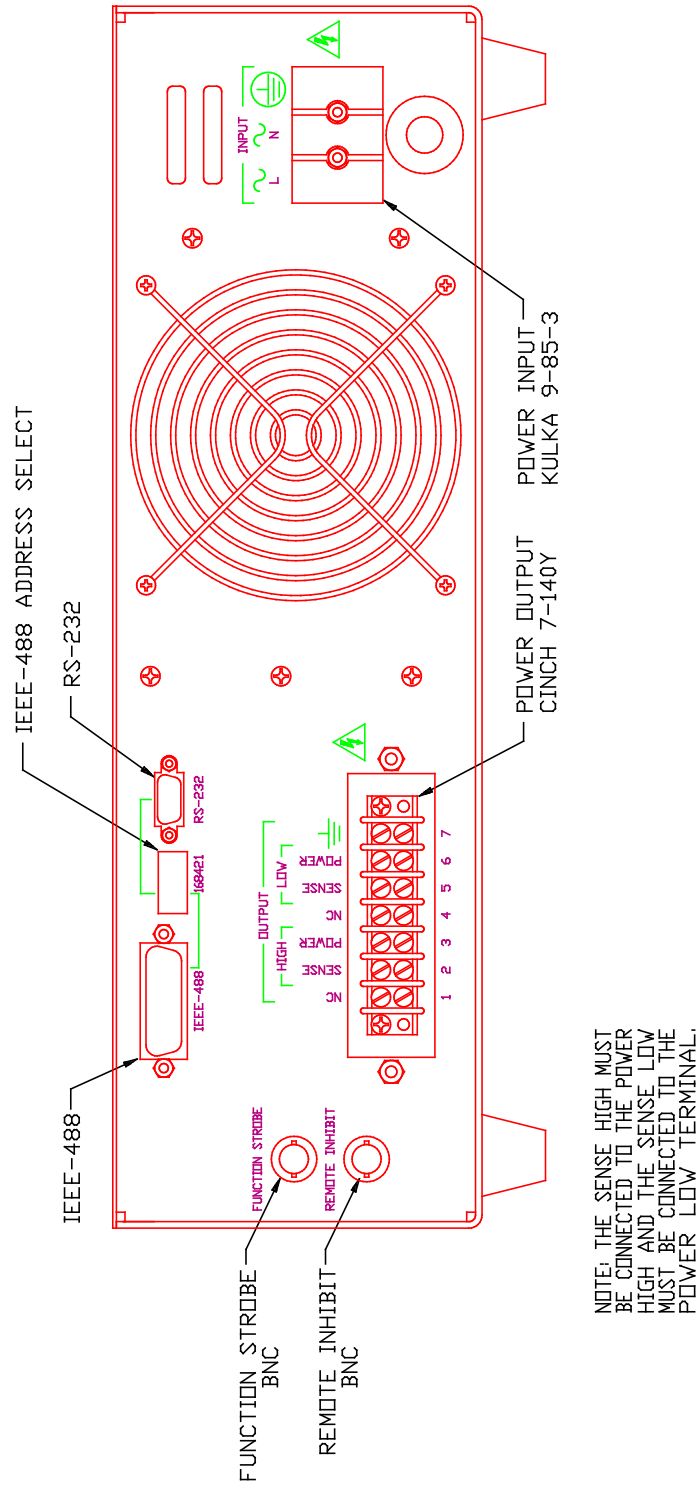


Figure 8-1: Rear Panel View

Note: *The PGUI32 can be run in the absence of a power source. If no AC source is available, the PGUI32 can be operated in a simulation mode. The program will detect these conditions and start up in simulation mode after notifying the operator. Measurements in this case will be simulated and should not be used for any analytical purpose.*

8.3 IEEE Interface

The 2001RP can optionally be equipped with both RS232C and IEEE-488 interfaces. The desired interface is selected by moving the DIP switch position 5 to the correct mode. Only one interface can be active at a time. Refer to Figure 8-1 for the location of this switch.

The IEEE address of the 2001RP is set using the DIP switch at the rear of the unit. Switch position 4 through 0 corresponds to bits 4 through 0 of the IEEE address. See figure below.

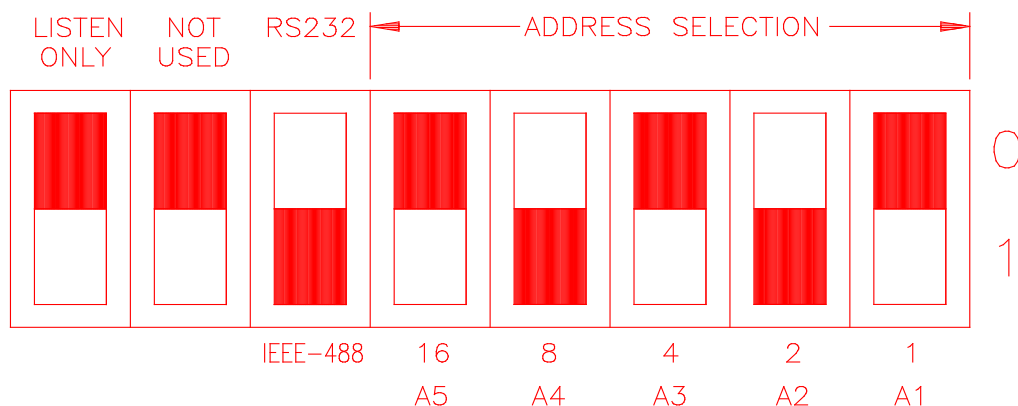


Figure 8-2: GPIB Address Selection Switch

- The black section represents the switches.
- The above configuration would cause the 2001RP to be in GPIB mode at address 10.
- Listen only must be in the up position to work properly.

Note: *Switch setting changes do not take effect until power is cycled.*

8.4 RS232C Interface

A suitable cable to connect the 2001RP AC Source to a 9 pin PC-AT style serial port is supplied with the source. If you are unable to locate this cable, you need to use a cable that conforms to the wiring diagram shown in Figure 8-3.

Note: *This cable is not bi-directional so it is important to mark the PC side and the AC source side of this cable. If the cable is connected in reverse, it will not operate correctly.*

The RP Series expects a LF (Hex 10) terminator at the end of each string sent over the RS232C interface. If the programming environment you use to develop test programs does not append a LF terminator to each output string, the RP Series will not respond. This is true of programs like LabView™ using VISA drivers.

8.4.1 Serial Communication Test Program

The following sample program written in Quick-BASIC can be used to check communication to the RP Series AC source over the RS232C serial interface. The interface is optional and must be installed for this to work.

```
'California Instruments 2001P RS232C Communication Demo Program
'(c) 1998 Copyright California Instruments, All Rights Reserved
'
'
'This program is for demonstration purposes only and is not to be
'used for any commercial application
'=====
'Function and Subroutine Declarations
DECLARE FUNCTION retstring$ ()
'=====
'MAIN PROGRAM CODE
'=====
'OPEN COM2. Replace with COM1, COM3 or COM4 for Com port used
'The input and output buffers are set to 2K each although
'this is not required for most operations.

OPEN "COM2:19200,n,8,1,BIN,LF,TB2048,RB2048" FOR RANDOM AS #1 LEN = 1
CLS
PRINT "**** 2001P INTERACTIVE MODE ****"
'Enter and endless loop to accept user entered commands
DO
INPUT "Enter Command ('quit' to exit)--> ", cmd$
IF cmd$ <> "QUIT" AND cmd$ <> "quit" THEN
IF cmd$ <> "" THEN
PRINT #1, cmd$ + CHR$(10);
END IF
IF INSTR(cmd$, "?") THEN
PRINT "AC Source query response = "; retstring$
END IF
'Check for Errors after each command is issued
PRINT "Sending non-query syntax check *ESR?"
'On fast PC's we may have to hold off between commands
FOR t = 0 TO 1000: NEXT t
PRINT #1, "*ESR?" + CHR$(10);
esr% = 0 'Clear last error
'Mask off bits 5,4,3,2 only. Other bits are not used.
esr% = VAL(retstring$) AND 60
'Process esr% value for error bits
IF esr% AND 4 THEN
PRINT "*** Query Error Reported by AC Source ***"
```

```

END IF
IF esr% AND 8 THEN
  PRINT "*** Instrument Dependent Error Reported by AC Source ***"
END IF
IF esr% AND 16 THEN
  PRINT "*** Command Execution Error Reported by AC Source ***"
END IF
IF esr% AND 32 THEN
  PRINT "*** Command Syntax Error Reported by AC Source ***"
END IF
'Clear ERR. -XXX Message from front panel if any error occurred
IF esr% <> 0 THEN
  PRINT #1, "CLS" + CHR$(10);
END IF
END IF
LOOP UNTIL cmd$ = "QUIT" OR cmd$ = "quit"
'Close COM port on exit
CLOSE #1
END
'=====
FUNCTION retstring$
'This function returns a response string from the P/RP Series
'AC power source. The QBasic statement LINE INPUT cannot be used
'as the P/RP Series does not return a CR <13> after a response
'message. The LINE INPUT function waits for a CR before
'returning a string. The P Series returns a LF <10> instead
'so we need to poll each returned character for a LF to
'assemble the response string. The COM port needs to be
'opened AS random with a record length of 1 for it to support
'this function. Also, the device number is assumed to be #1
'Optionally, this value could be passed as a parameter to
'make this program more generic.

DIM char AS STRING * 1
DIM resp AS STRING
char = ""
resp = ""
DO
  char = INPUT$(1, #1)
  resp = resp + char
LOOP UNTIL char = CHR$(10)
'Return result
retstring$ = LEFT$(resp, LEN(resp) - 1)
END FUNCTION

```

8.4.2 Serial Cable Diagram

California Instruments AC power sources require a special RS232C cable to communicate with a PC. Standard null-modem cables obtained from a computer hardware store most likely will not work. For this reason, all California Instruments power sources that operate over RS232C are supplied with a RS232C 9 pin female to 9 pin female cable.

If for some reason this cable cannot be located, the following cable diagram shown in Figure 8-3 should be used when constructing a serial cable.

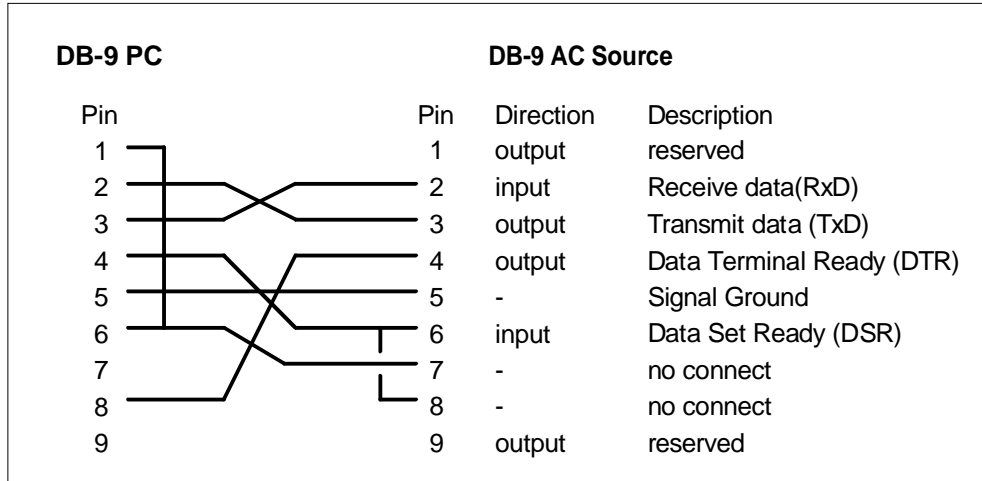


Figure 8-3: RS232C Interface Cable Wiring Diagram

8.5 PGUI32 Setup and Installation

This section covers installation of the PGUI32 from the distribution disk to the user's PC. Make sure the PC is capable of running Windows with at least 16 Mbytes of memory and 4 Mbytes of available hard disk space.

8.5.1 Connecting the AC Source to the PC When Using RS232

Connect the AC source to the PC using an RS232C cable.

The AC source com port settings are set as follows:

Baud rate: 19200 baud for model 2001RP
 Data bits: 8
 Stop bits: 1
 Parity bits: none
 Handshake: Hardware

The AC source is configured to accept the above setting.

Select the RS232 interface by sliding the interface selection DIP switch on the rear panel to the RS232 position.

8.5.2 Connecting the AC Source to the PC Using IEEE-488

Connect the AC source to the PC using an IEEE-488 interface cable. A National Instruments GPIB controller card is required to use the PGUI32 program.

Select the IEEE-488 interface by sliding the interface selection DIP switch on the rear panel to the IEEE-488 position.

Set the desired IEEE address using DIP switch position 4 through 0 on the rear panel.

8.5.3 Installing the PGUI32 Software

The PGUI32 software is distributed on a set of 3.5 inch high density floppy diskettes or on CD-ROM. The PGUI32 must be installed from these diskettes or CD using the included setup program as all required files are compressed. You cannot copy the contents of these diskettes or CD to your PC hard drive and run the program. To install the PGUI32, proceed as follows:

1. Turn on the PC and boot up in Windows™
2. Insert the first disk (labeled Disk 1 of 3) in drive A or B or insert the CD in your CD-ROM drive.
3. From the Windows Start Menu, select RUN.
4. At the "Open" prompt, type A:Setup or B:Setup depending on which disk drive you used and click on the OK button. If you are installing from CD ROM, locate the Win32/PGUI32 directory on the CDROM and run the setup program.
5. Follow the instructions provided by the setup program to complete the installation. At some point, you will be asked to insert the second disk (Disk 2). Remove the first disk and replace it with disk 2 and press OK to continue the installation. Continue through the last disk.
6. When the installation has completed, remove the last disk from the floppy drive and store the disks in a safe place.

Reboot the PC to activate the new settings. You are now ready to start using the PGUI32 software.

8.6 Trouble Shooting - RS232C

This section provides guidelines for resolving communication problems that may occur when using the PGUI32 software under Windows™.

You may encounter problems when using the serial interface with the PGUI32 program that is supplied with the interface option for this source.

Symptoms:

1. Unable to verify connection to the power source through RS232C interface. Time-out occurs and dialog box appears that asks if you want to switch to simulation mode. An error message (ERR -100) may appear on the front panel LCD's of the power source.
- Or -
2. Verification is successful but slewing of voltage, frequency or current limit results in an ERR - 100.

Things to check first:

1. Is the PC com port you selected to use really available for this purpose? On older PC's com port interrupts are often shared between com 1 and com3 as well as com2 and com 4. If any of these other com ports is in use, it may prevent you from using the com port that shares the same interrupt.
2. Did you use the RS232C cable that was supplied with the P/RP AC source? This is not a null-modem cable and cannot easily be obtained at a computer store. If you do not have the original cable, consult the PGUI32 on line help under Interface settings for a wiring diagram.
3. Did you connect the cable in the right direction? This cable is uni-directional and should be marked with a SOURCE and a PC label. Make sure you connect the SOURCE side of the cable to the back of the AC source and the PC side of the cable to the PC port.

Resolution for Symptom 1

The P and RP Series of AC sources require hardware handshaking to control data flow from the PC to the AC source. After receiving a command, the AC source asserts the DTR line to hold off further communication from the PC until the command just sent has been processed. Under Windows 95, it is possible to use a 16 byte transmit buffer if a 16550 UART is present. This FIFO exceeds the length of most AC source commands. When enabled, this mode may result in more than one command being placed in the UART output buffer. If this happens, the handshake from the AC source will not prevent the content of this buffer being sent to the AC source and thus will result in more than one command being sent to the AC source.

To resolve this problem, the UART FIFO length needs to be reduced or disabled altogether. The procedure to disabled the FIFO mode is outlined in the next paragraph.

Note: If turning off the UART FIFO conflicts with other applications that need to run on the same PC using the same COM port, this solution may not be acceptable. In this case, skip this step and proceed to the second symptom resolution which relies on a software implemented hold-off instead of turning off the FIFO buffer. If you are using Windows 3.1 and experience the same problem, the latter method is the only resolution available to you so you should skip the next paragraph as well.

Procedure

1. Make sure the PGUI32 program is closed and no device is using the com port in use.
2. From the Windows™ desktop, right click on the “My Computer” icon which is located in the top left corner of the screen.
3. From the popup menu, select the “Properties” entry.
4. This brings up the System Properties dialog box
5. From the tabs shown at the top of the dialog box, select the “Device Manager” tab.
6. The relevant screen is shown in Figure 8-4.
7. Expand the Ports(COM&LPT) tree selection by clicking on the ‘+’ sign
8. Select the COM port you plan to use to communicate with the P or RP series power source.
9. With the correct COM port selected, click on the Properties button at the bottom left of the dialog box.
10. This brings up the settings dialog box for the COM port. In this example, COM2 is used.
11. From the tabs at the top of the dialog box, select the “Port Settings” tab.
12. This should bring up the dialog shown in Figure 8-6.
13. Next, select the Advanced button to bring up the advanced port settings dialog box shown in Figure 8-5.

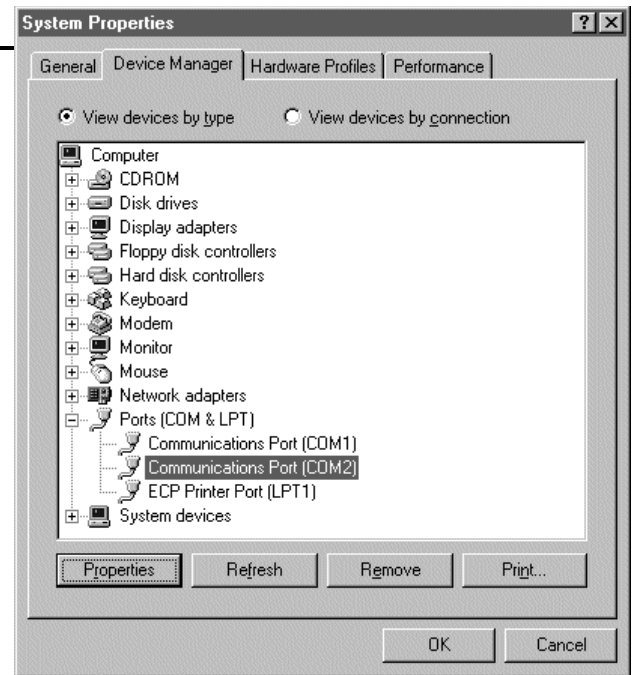


Figure 8-4: System Properties Dialog Box

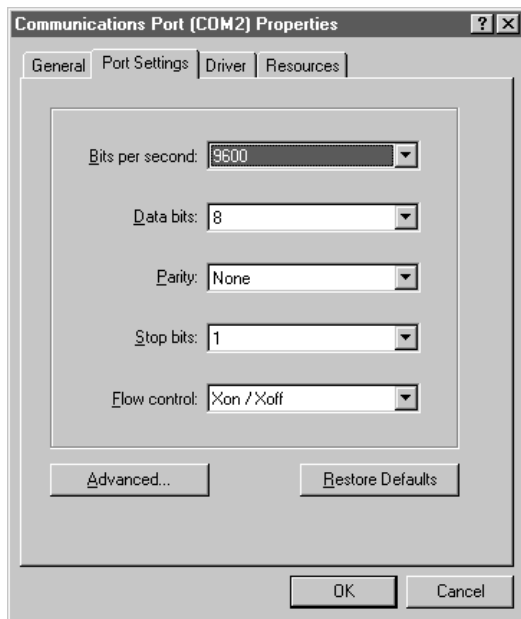


Figure 8-6: COM Port Properties Dialog Box

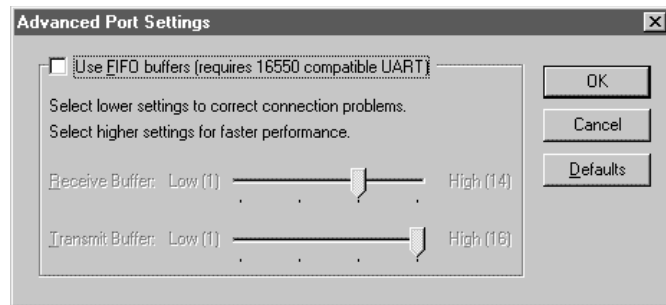


Figure 8-5: Advanced Port Settings Dialog Box

14. At the top of the dialog box, disable the “Use FIFO buffers (requires 16550 compatible UART)” checkbox. This will bypass the UART FIFO’s and enable the hardware handshake to work correctly.
15. Click on the all OK buttons to close all dialog boxes that remain open.
16. This should enable the PGUI32 to work correctly.

Resolution for Symptom 2

Execute the suggested procedure to resolve symptom 1 first. If an occasional error continues to occur while slewing the voltage or frequency slider controls in the PGUI32 program, add a command delay to the PGUI32 Registry Interface section using the following procedure. This symptom may occur on some PC's.

Procedure

1. Close the PGUI32 program if it is still open.
2. Run the Windows Registry Editor (Regedit.exe) from the Run command line.
3. Locate the HKEY_CURRENT_USER key and double click on it
4. Locate the Software key and double click on it.
5. Locate the VB and VBA Program Settings and double click on it.
6. Locate the Pgui32 key and double click on it.
7. Locate the Interface Key and double click on it.
8. In the right pane of the Registry Editor should be an entry called "CmdDelay". If no such entry is present add it yourself.
9. The default value for the CmdDelay is set to 20. Change this value to 40 by double clicking on the CmdDelay key and entering the new value from the keyboard.
10. Close the Registry Editor when done.
11. Try to connect again. You may have to cycle the power on the AC source if it still shows the Err -100 display.

Higher values than 40 may be set for the CmdDelay parameter if this fix does not resolve your problem.

8.7 Trouble Shooting - IEEE-488 / GPIB

This section provides guidelines for resolving communication problems that may occur when using the 2001RP with or without the PGUI32 software with a IEEE-488 / GPIB interface.

Symptoms:

1. Unable to verify connection to the power source through IEEE-488 interface. Time-out occurs any time an attempt is made to verify connection.
2. Communication seems to work but Error 100, Command Errors occur when sending a series of setup commands to the AC source.

Things to check first:

1. Is the 2001RP interface option set to use the IEEE-488 interface instead of the RS232C interface? The DIP switch on the rear panel is used to select the desired interface mode. Refer to section 8.3.
2. Does the bus address selected in the System, Interface dialog match the address set using the DIP switches on the 2001RP? The GPIB address selected must match the settings on the DIP switch. If changes are made to the DIP switch setting, the 2001RP power must be cycled off and on to have the new settings take effect.
3. Did you connect the cable in correctly and are both ends of the GPIB cable securely tied down?

Resolution for Symptom 1

When using a fast IEEE-488 bus controller, the 2001RP's IEEE-488 interface may not handshake fast enough to satisfy the controllers timing requirement. If this is the case, a time-out will result any time a command is sent to the power source. To rectify this situation, the IEEE-488 controller must be set to use delayed bus timing. For National Instruments GPIB controller cards running under Windows™, this can be done from the device manager.

Select the GPIB interface and click on the NI-488.2M Settings tab. An Advanced button at the bottom of the screen will provide access to the Bus Timing parameter. Set this value to 2μsec to operate with the 2001RP GPIB interface.

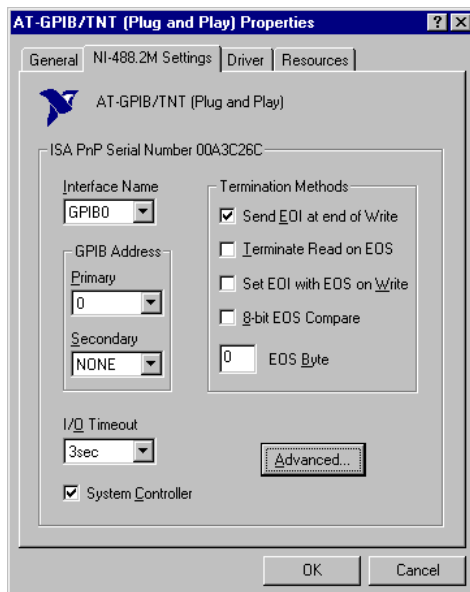


Figure 8-7: NI AT-GPIB/TNT Settings

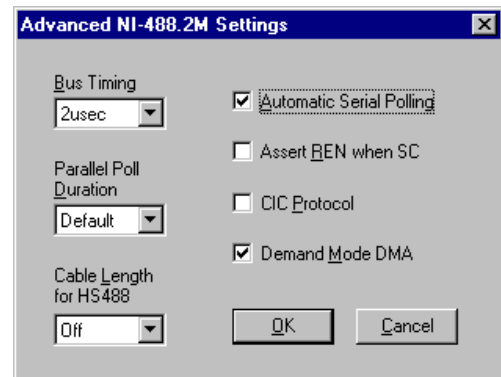


Figure 8-8: NI AT-GPIB/TNT Advanced Settings Dialog

Resolution for Symptom 2

The 2001RP has a limit on how fast it can process commands sent over the bus. When developing an application program that controls the 2001RP AC source, this must be considered. Specifically, if non-query commands (commands that don't wait for a response such as output setup commands) are sent at too high a rate, the AC source may not be able to process them. In that case, a -100 Command Error will be reported.

This condition may exist on both RS232 and GPIB interface modes and is more prone when faster controllers are used to run the application software. To prevent this condition, it will be necessary to space out successive commands using a 20 msec delay. Alternatively, commands could be sent to other instruments in the same system to accomplish the same result.

8.8 PGUI32 Distribution Files

The installation program will install the following files in the directories specified. Note that files with the same name that already exists in these directories will not be overwritten as part of the installation process. If older files of the same name are found, they will be replaced. If you need to retain a copy of these older version files, we recommend you back these files up prior to running the installation program.

Application directory files

The following files are copied to the application directory. The application directory name is chosen by the user during the installation process. The default directory for the PGUI32 is:

C:\Program Files\California Instruments\PGUI32

| | |
|------------|--------------------|
| Pgui32.exe | Executable |
| Pgui32.hlp | On Line Help file |
| Pgui32.cnt | Help Contents file |

Windows System directory files

The following shared files are stored in the Windows\System directory during installation:

| | |
|--------------|--|
| Mscomm32.ocx | Microsoft Serial communications active control |
| ss32x25.ocx | Grid spreadsheet active control |
| Comdlg32.ocx | Microsoft Common dialog active control |
| Comctl32.ocx | Microsoft Common controls |
| Msvbvm50.dll | Microsoft Visual Basic 5.0 virtual machine library |
| Mfc42.dll | Microsoft Foundation Classes |
| Msvcrt.dll | Microsoft Visual C++ run-time library |
| Oleaut32.dll | Microsoft OLE automation server |

IEC Test Programs Directory Files

| File name | Description |
|--|-------------------------------|
| Generic IEC 1000-4-11 Voltage Variations Test.411_Vars | Test levels for IEC 1000-4-11 |
| Generic IEC 1000-4-11 Voltage Dips Test.411_Dips | Test levels for IEC 1000-4-11 |
| EN 61326-1 Voltage Interrupts.411_Dips | Test levels for IEC 1000-4-11 |
| Generic IEC 1000-4-14 Test Level 1.414_Fluc | Test levels for IEC 1000-4-14 |
| Generic IEC 1000-4-14 Test Level 2.414_Fluc | Test levels for IEC 1000-4-14 |
| Generic IEC 1000-4-28 Freq Vars Test Level 1.428_Vars | Test levels for IEC 1000-4-28 |
| Generic IEC 1000-4-28 Freq Vars Test Level 2.428_Vars | Test levels for IEC 1000-4-28 |
| Generic IEC 1000-4-28 Freq Vars Test Level 3.428_Vars | Test levels for IEC 1000-4-28 |

User files for above tests may be distributed as well. These files use a 4XX_USER extension.

Test Sequence Program Directory Files

| File name | Description |
|-------------------------------|-----------------------------|
| Sample sequence test file.SEQ | Sample output sequence file |

Note: The location of these files as well as the files themselves may change with future versions of the PGUI32. Consult the included readme file for last minute program information.

8.9 Software Registration

Updates of this and other California Instruments programs are posted on a regular basis on the California Instruments web site. You can find available programs by selecting the Software, GUI's and Drivers menu. To gain access to these downloads, you will need to register as a user on our web site. For instructions on how to register and request the required access level for software downloads, visit our web site at

www.calinst.com

9 Introduction to SCPI

SCPI (Standard Commands for Programmable Instruments) is a programming language for controlling instrument functions over the RS232 or IEEE 488 bus. The same SCPI commands and parameters control the same functions in different classes of instruments. For example, you would use the same MEAS:VOLT? command to measure the AC source output voltage or the output voltage of a SCPI-compatible Multimeter.

9.1 Conventions Used in This Manual

| | |
|-------------------|--|
| Angle brackets<> | Items within angle brackets are parameter abbreviations. For example, <NR1> indicates a specific form of numerical data. |
| Vertical bar | Vertical bars separate alternative parameters. For example, 0 1 indicates that either "0" or "1" can be used as a parameter. |
| Square Brackets[] | Items within square brackets are optional. The representation [SOURce:]VOLT means that SOURce: may be omitted. |
| Boldface font | Boldface font is used to emphasize syntax in command definitions. CURR <NRf> shows a command definition. |
| Upper case font | Upper case font is used to show program lines in text. OUTP 1 shows a program line. |

9.2 The SCPI Commands and Messages

This paragraph explains the syntax difference between SCPI Commands and SCPI messages.

The AC source supports two types of commands, IEEE-488-2 common and SCPI subsystem commands.

- IEEE-488-2 common commands are generally not related to specific operations but to controlling overall AC source functions such as reset, status and synchronization. All common commands consist of a three-letter mnemonic preceded by an asterisk:

```
*RST      *IDN?  *SRE 255
```

- SCPI Subsystem commands perform specific AC source functions. They are organized into an inverted tree structure with the "root" at the top. Some are single commands while others are grouped within specific subsystems. **You must include the root header in all commands sent to the AC source.**

Refer to appendix A for the AC source SCPI tree structure.

Types of SCPI Messages

There are two types of SCPI messages, program and response.

- A program message consists of one or more properly formatted SCPI commands sent from the controller to the AC source. The message, which may be sent at any time, requests the AC source to perform some action.
- A response message consists of data in a specific SCPI format sent from the AC source to the controller. The AC source sends the message only when commanded by a program message called a "query."

The SCPI Command Tree

As previously explained, the basic SCPI communication method involves sending one or more properly formatted commands from the SCPI command tree to the instrument as program messages. The following figure shows a portion of a subsystem command tree, from which you access the commands located along the various paths (you can see the complete tree in appendix A).

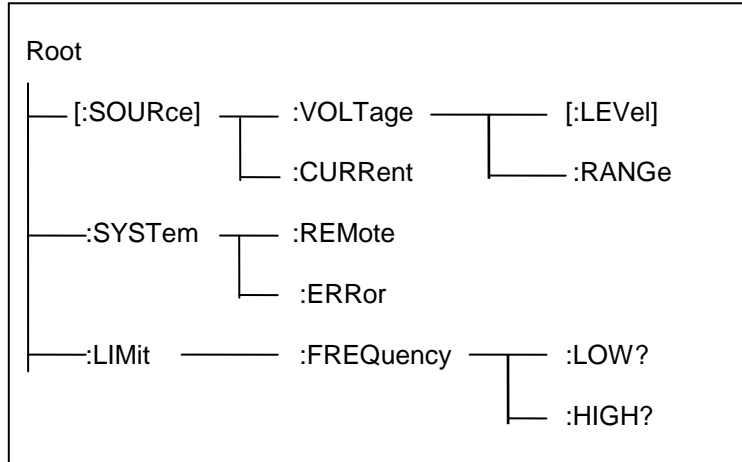


Figure 9-1: Partial Command Tree

The Root Level

Note the location of the ROOT node at the top of the tree. Commands at the root level are at the top level of the command tree. The SCPI interface is at this location when:

- the AC source is powered on
- a device clear (DCL) is sent to the AC source
- the SCPI interface encounters a message terminator
- the SCPI interface encounters a root specifier

Active Header Path

In order to properly traverse the command tree, you must understand the concept of the active header path. When the AC source is turned on (or under any of the other conditions listed above), the active path is at the root. That means the SCPI interface is ready to accept any command at the root level, such as SOURCE or MEASUREMENT.

If you enter SOURCE the active header path moves one colon to the right. The interface is now ready to accept :VOLTage :FREQUency, or :CURRent as the next header. You must include the colon, because it is required between headers.

If you now enter :VOLTage, the active path again moves one colon to the right. The interface is now ready to accept either :RANGe or :LEVel as the next header.

If you now enter :RANGe you have reached the end of the command string. The active header path remains at :RANGe. If you wished, you could have entered :RANGe 150 ;LEVel 115 and it would be accepted as a compound message consisting of:

1. SOUR:VOLT:RANG 150.

2. SOUR:VOLT:LEV 115.

The entire message would be:

```
SOUR:VOLT:RANG 150;LEV 115.
```

The message terminator after LEV 115 returns the path to the root.

Note: The 2001RP interface buffer is limited to 45 characters + [LF], however. As such, compound commands should be used with care to make sure they do not exceed this buffer message length limit.

Moving Among Subsystems

In order to combine commands from different subsystems, you need to be able to restore the active path to the root. You do this with the root specifier (:). For example, you could set the output frequency to 60 Hz and set the display mode to frequency.

```
FREQ 60
```

```
DISP:MODE 0
```

Because the root specifier resets the command parser to the root, you can use the root specifier and do the same thing in one message:

```
FREQ 60;:DISP:MODE 0
```

Including Common Commands

You can combine common commands with system commands in the same message. Treat the common command as a message unit by separating it with a semicolon (the message unit separator). Common commands do not affect the active header path; you may insert them anywhere in the message.

```
VOLTage 115;*ESE 255
```

```
OUTPut 0;*RCL 2
```

9.3 Using Queries

Observe the following precautions with queries:

- Set up the proper number of variables for the returned data.
- Read back all the results of a query before sending another command to the AC source. Otherwise a Query Error will occur and the non-returned data will be lost.

9.4 Structure of a SCPI Message

SCPI messages consist of one or more message units ending in a message terminator. The terminator is not part of the syntax, but implicit in the way your programming language indicates the end of a line (such as a newline or end-of-line character).

The Message Unit

The simplest SCPI command is a single message unit consisting of a command header (or keyword) followed by a message terminator.

```
FREQuency?<newline>
```

```
VOLTage?<newline>
```

The message unit may include a parameter after the header. The parameter usually is numeric:

```
VOLTage 20<newline>
```

```
OUTPut 1<newline>
```

Combining Message Units

The following command message is briefly described here, with details in subsequent paragraphs.

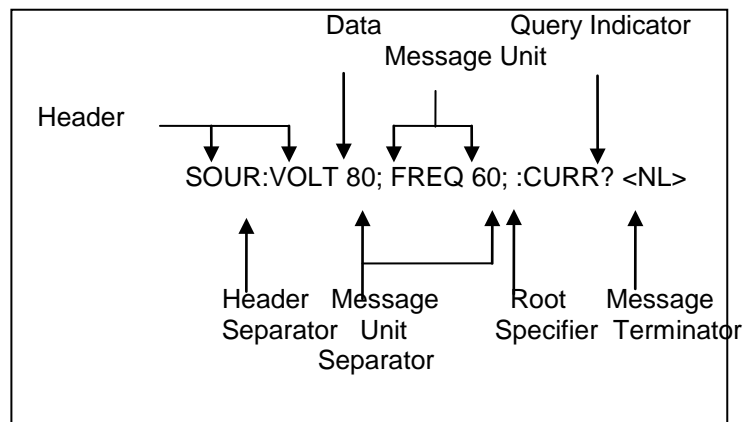


Figure 9-2: Command Message Structure

The basic parts of the above message are:

| Message Component | Example |
|--------------------------|---|
| Headers | SOURC VOLT FREQ CURR |
| Header Separator | The colon in SOUR:VOLT |
| Data | 80 60 |
| Data Separator | The space in VOLT 80 and FREQ 60 |
| Message Units | VOLT 80 FREQ 60 CURR? |
| Message Unit Separator | The semicolons in VOLT 80; and FREQ 60; |
| Root Specifier | The colon in :CURR? |
| Query Indicator | The question mark in CURR? |
| Message Terminator | The <NL> (newline) indicator. Terminators are not part of the SCPI syntax |

Note: **The use of compound messages such as the one shown in Figure 12-2 is not recommended as they typically exceed the available receive buffer length of the RP Series interface.**

Headers

Headers are instructions recognized by the AC source. Headers (which are sometimes known as "keywords") may be either in the long form or the short form.

| | |
|------------|--|
| Long Form | The header is completely spelled out, such as VOLTAGE, SYSTEM, and OUTPUT. |
| Short Form | The header has only the first three or four letters, such as VOLT, SYST, and OUTP. |

The SCPI interface is not sensitive to case. It will recognize any case mixture, such as VOLTAGE, VOLTage or Voltage. Short form headers result in faster program execution.

Note: **In view of the 45 character receive buffer size of the RP Series, the short form is recommended under all circumstances.**

Header Convention

In the command descriptions in chapter 10 of this manual, headers are emphasized with boldface type. The proper short form is shown in upper-case letters, such as DELay.

Header Separator

If a command has more than one header, you must separate them with a colon (SYSTem:ERRor LIMit:FREQuency:LOW).

Optional Headers

The use of some headers is optional. Optional headers are shown in brackets, such as VOLTage[:LEVel] 100.

Query Indicator

Following a header with a question mark turns it into a query (VOLTage?, VRANGE?).

Message Unit Separator

When two or more message units are combined into a compound message, separate the units with a semicolon (VOLT 100;FREQ 60).

Root Specifier

When it precedes the first header of a message unit, the colon becomes the root specifier. It tells the command parser that this is the root or the top node of the command tree. Note the difference between root specifiers and header separators in the following examples:

| | |
|--|--|
| SOURce:VOLTage:LEVel 100 | All colons are header separators |
| :SOURce:VOLTage:LEVel 100 | Only the first colon is a root specifier |
| SOURce:VOLTage:LEVel 100;:FREQuency 55 | Only the third colon is a root specifier |

You do not have to precede root-level commands with a colon; there is an implied colon in front of every root-level command.

Message Terminator

A terminator informs SCPI that it has reached the end of a message. The only permitted message terminator is:

- newline (<NL>), which is ASCII decimal 10 or hex 0A.

In the examples of this manual, there is an assumed message terminator at the end of each message. If the terminator needs to be shown, it is indicated as <NL> regardless of the actual terminator character.

9.5 SCPI Data Formats

All data programmed to or returned from the AC source is in ASCII. The data type may be numerical or character string.

Numerical Data Formats

| Symbol | Data Form |
|--------|-----------|
|--------|-----------|

Talking Formats

| | |
|--------|---|
| <NR1> | Digits with an implied decimal point assumed at the right of the least-significant digit. Examples: 273 |
| <NR2> | Digits with an explicit decimal point. Example: .0273 |
| <NR3> | Digits with an explicit decimal point and an exponent. Example: 2.73E+2 |
| <Bool> | Boolean Data. Example: 0 1 |

Listening Formats

| | |
|--------|--|
| <Nrf> | Extended format that includes <NR1>, <NR2> and <NR3>. Examples: 273.2 , 2.73E2 |
| <Bool> | Boolean Data. Example: 0 1 |

Character Data

Character strings returned by query statements may take either of the following forms, depending on the length of the returned string:

| | |
|--------|--|
| <CRD> | Character Response Data. Permits the return of character strings. |
| <AARD> | Arbitrary ASCII Response Data. Permits the return of un delimited 7-bit ASCII. This data type has an implied message terminator. |
| <SRD> | String Response Data. Returns string parameters enclosed in double quotes. |

9.6 Bus Throughput and Timing Considerations

The 2001RP has a limit on how fast it can process commands sent over the bus. When developing an application program that controls the 2001RP AC source, this must be considered. Specifically, if non-query commands (commands that don't wait for a response such as output setup commands) are sent at too high a rate, the AC source may not be able to process them. In that case, a -100 Command Error will be reported.

This condition may exist on both RS232 and GPIB interface modes and is more prone when faster controllers are used to run the application software. To prevent this condition, it will be necessary to space out successive commands using a 20 msec delay. Alternatively, commands could be sent to other instruments in the same system to accomplish the same result.

10 SCPI Command Reference

Where appropriate, related commands or queries are included. These are listed because they are either directly related by function, or because reading about them will clarify or enhance your understanding of the original command or query.

This chapter is organized as follows:

- Subsystem commands, arranged by subsystem
- IEEE 488.2 common commands

10.1 Subsystem Commands

Subsystem commands are specific to AC source functions. They can be a single command or a group of commands. The groups are comprised of commands that extend one or more levels below the root. The description of common commands follows the description of the subsystem commands.

The subsystem command groups are listed in alphabetical order and the commands within each subsystem are grouped alphabetically under the subsystem. Commands followed by a question mark (?) take only the query form. When commands take both the command and query form, this is noted in the syntax descriptions.

10.2 Calibration Subsystem

The commands in this subsystem allow you to do the following:

- Enable and disable the calibration mode
- Calibrate all measurement circuits and store new calibration coefficients in nonvolatile memory.

Subsystem Syntax

| | | |
|-----------|--|--|
| CALibrate | | |
| :STATe | | Enables or disables the calibration mode |
| :MEASure | | |
| :CURRent | | |
| [:FSC] | | Calibrate full scale AC current measurement |
| :ZERO | | Trim AC current measurement offset |
| :PCURrent | | |
| [:FSC] | | Calibrate full scale AC peak current measurement |
| :ZERO | | Trim AC peak current measurement offset |
| :POWer | | |
| [:FSC] | | Calibrate full scale AC power measurement |
| :ZERO | | Trim AC power measurement offset |
| :VOLTagE | | |
| [:FSC] | | Calibrate full scale AC voltage measurement |
| :ZERO | | Trim AC voltage measurement offset |
| [:SOURce] | | |
| :VOLTagE | | Calibrate output voltage |

10.2.1 Calibration State

CALibrate:STATe

This command puts the AC source in calibration mode. The calibration mode is required to use the data entry form of the calibration commands. Without setting the correct state using this command, only the query form can be used to query any calibration coefficients but no new calibration can be performed. Calibration queries return the calibration coefficient for the specified measurement parameter. Calibration coefficients range from -127 to + 127.

Note *Any changes made to calibration coefficients are not saved in non-volatile memory until the SYSTem:SAVE command is issued before turning the Cal state off.*

CAL:STAT 0 Turns calibration mode off.
 CAL:STAT 1 Turns calibration mode on.

| | |
|------------------|-------------------------------------|
| Command Syntax | CALibrate:STATe 0 1 |
| Parameters | <Bool> |
| Examples | CAL:STAT 1 CAL:STAT 0 |
| Related Commands | CAL[:SOUR] CAL:MEAS SYST:SAVE |

10.2.2 Measurement Calibration

All measurement calibrations are performed by adjusting the measurement reading up or down using a calibration coefficient. The coefficient value ranges from -127 (adjust full-scale downward, zero upward) to + 127 (adjust full-scale upward, zero downward). When used in combination with the MEAS commands, an automated measurement calibration procedure can be implemented by adjusting the coefficient and reading the new measurement value iteratively until the delta between an external reference measurement device and the AC source internal measurement is within the specified accuracy.

CALibrate:MEASure:CURRent[:FSCale] <NRf>

This command affects the calibration of the AC current measurement at full scale.

| | |
|---------------------|--|
| Command Syntax | CALibrate:MEASure:CURRent[:FSCale] <NRf> |
| Parameters | <NRf> (value range -127 to +127) |
| Examples | CAL:MEAS:CURR -23 |
| Query Syntax | CALibrate:MEASure:CURRent? |
| Returned Parameters | <NR1> (value range -127 to +127) |
| Related Commands | CALibrate:MEASure:VOLTage |

CALibrate:MEASure:CURRent:ZERO <NRf>

This command affects the calibration of the AC current measurement zero offset.

| | |
|---------------------|--------------------------------------|
| Command Syntax | CALibrate:MEASure:CURRent:ZERO <NRf> |
| Parameters | <NRf> (value range -127 to +127) |
| Examples | CAL:MEAS:CURR:ZERO +12 |
| Query Syntax | CALibrate:MEASure:CURRent:ZERO? |
| Returned Parameters | <NR1> (value range -127 to +127) |
| Related Commands | CALibrate:MEASure:CURRent |

CALibrate:MEASure:PCURrent[:FSCale] <NRf>

This command affects the calibration of the AC peak current measurement at full scale.

| | |
|---------------------|--|
| Command Syntax | CALibrate:MEASure:CURRent[:FSCale] <NRf> |
| Parameters | <NRf> (value range -127 to +127) |
| Examples | CAL:MEAS:CURR -23 |
| Query Syntax | CALibrate:MEASure:CURRent? |
| Returned Parameters | <NR1> (value range -127 to +127) |
| Related Commands | CALibrate:MEASure:VOLTage |

CALibrate:MEASure:PCURrent:ZERO <NRf>

This command affects the calibration of the AC current measurement zero offset.

| | |
|---------------------|--------------------------------------|
| Command Syntax | CALibrate:MEASure:CURRent:ZERO <NRf> |
| Parameters | <NRf> (value range -127 to +127) |
| Examples | CAL:MEAS:CURR:ZERO +12 |
| Query Syntax | CALibrate:MEASure:CURRent:ZERO? |
| Returned Parameters | <NR1> (value range -127 to +127) |
| Related Commands | CALibrate:MEASure:CURRent |

CALibrate:MEASure:POWer[:FSCale] <NRf>

This command affects the calibration of the power measurement at full scale.

| | |
|---------------------|--|
| Command Syntax | CALibrate:MEASure:POWer[:FSCale] <NRf> |
| Parameters | <NRf> (value range -127 to +127) |
| Examples | CAL:MEAS:POW 78 |
| Query Syntax | CALibrate:MEASure:POWer? |
| Returned Parameters | <NR1> (value range -127 to +127) |
| Related Commands | CALibrate:MEASure:CURRent |

CALibrate:MEASure:POWer:ZERO <NRf>

This command affects the calibration of the power measurement zero offset.

| | |
|---------------------|------------------------------------|
| Command Syntax | CALibrate:MEASure:POWer:ZERO <NRf> |
| Parameters | <NRf> (value range -127 to +127) |
| Examples | CAL:MEAS:POW:ZERO -5 |
| Query Syntax | CALibrate:MEASure:POWer:ZERO? |
| Returned Parameters | <NR1> (value range -127 to +127) |
| Related Commands | CALibrate:MEASure:POWer |

CALibrate:MEASure:VOLTAge[:FSCale] <NRf>

This command affects the calibration of the rms voltage measurement at full scale.

| | |
|---------------------|--|
| Command Syntax | CALibrate:MEASure:VOLTAge[:FSCale] <NRf> |
| Parameters | <NRf> (value range -127 to +127) |
| Examples | CAL:MEAS:VOLT 56 |
| Query Syntax | CALibrate:MEASure:VOLTAge? |
| Returned Parameters | <NR1> (value range -127 to +127) |
| Related Commands | CALibrate:MEASure:CURRent |

CALibrate:MEASure:VOLTAge:ZERO <NRf>

This command affects the calibration of the rms voltage measurement zero offset.

| | |
|---------------------|--------------------------------------|
| Command Syntax | CALibrate:MEASure:VOLTAge:ZERO <NRf> |
| Parameters | <NRf> (value range -127 to +127) |
| Examples | CAL:MEAS:VOLT:ZERO +4 |
| Query Syntax | CALibrate:MEASure:VOLTAge:ZERO? |
| Returned Parameters | <NR1> (value range -127 to +127) |
| Related Commands | CALibrate:MEASure:VOLTAge |

10.2.3 Output Calibration

The AC voltage output calibration is performed by adjusting the output up or down using a calibration coefficient. The coefficient ranges from -127 (adjust upward) to + 127 (adjust downward). An external traceable reference AC voltmeter should be used for this purpose.

CALibrate[:SOURce]:VOLTage <NRf>

This command will set the calibration coefficient for the AC full scale output voltage.

| | |
|---------------------|---------------------------------------|
| Command Syntax | CALibrate[:SOURce]:VOLTage <NRf> |
| Parameters | <NRf> (a value between -127 and +127) |
| Examples | CAL:VOLT -2 |
| Query Syntax | CALibrate:VOLTage? |
| Returned Parameters | <NR1> (value range -127 to +127) |
| Related Commands | CAL:STAT |

10.3 Measurement Subsystem

This subsystem programs the measurement capability of the RP Series AC source.

Subsystem Syntax

| | |
|---------------|---|
| :MEASure | |
| :VOLTage? | Returns the rms value of voltage |
| :CURRent? | Returns the rms value of current |
| :AMPLitude | |
| :MAX? | Returns peak current |
| :RESet | Reset the peak current measurements |
| :CREStfactor? | Returns current crest factor |
| :RANGe | Selects measurement range 0 = High, 1 = Low, 2 = AUTO |
| :POWer | |
| [:REAL]? | Returns real power in Watt |
| :APParent? | Returns apparent power in VA |
| PFACtor? | Returns power factor |

MEASure:VOLTage?

This query returns the AC rms voltage being sourced at the output terminals. Note that the output relay must be closed or no voltage will be present at the output terminals.

| | |
|---------------------|------------------|
| Query Syntax | MEASure:VOLTage? |
| Parameters | None |
| Examples | MEAS:VOLT? |
| Returned Parameters | <NR2> |
| Related Commands | OUTP 0 1 |

MEASure:CURRent?

This query returns the rms value of the output AC current being sourced at the output terminals. Note that the output relay must be closed to obtain current flow.

| | |
|---------------------|-----------------------------------|
| Query Syntax | MEASure:CURRent? |
| Parameters | None |
| Examples | MEAS:CURR? |
| Returned Parameters | <NR2> |
| Related Commands | OUTP 0 1 MEAS:CURR:AMPL:MAX? |

MEASure:CURRent:AMPLitude:MAX?

This query returns the peak current value of the output AC current being sourced at the output terminals. Note that the output relay must be closed to obtain current flow. The peak current measurement circuit uses a sample and hold method and latches the highest peak current value found since the last peak measurement reset command.

| | |
|---------------------|--------------------------------|
| Query Syntax | MEASure:CURRent:AMPLitude:MAX? |
| Parameters | None |
| Examples | MEAS:CURR:AMPL:MAX? |
| Returned Parameters | <NR2> |
| Related Commands | OUTP 0 1 MEAS:CURR? |

MEASure:CURRent:AMPLitude:RESet

This command resets the peak current measurement sample and hold circuit to zero.

| | |
|------------------|---------------------------------|
| Query Syntax | MEASure:CURRent:AMPLitude:RESet |
| Parameters | None |
| Examples | MEAS:CURR:AMPL:RES |
| Related Commands | MEAS:CURR:AMPL:MAX? |

MEASure:CURRent:CREStfactor?

This query returns the rms value of the output AC current being sourced at the output terminals. Note that the output relay must be closed to obtain current flow.

| | |
|---------------------|--------------------------------|
| Query Syntax | MEASure:CURRent:CREStfactor? |
| Parameters | None |
| Examples | MEAS:CURR:CRES? |
| Returned Parameters | <NR2> |
| Related Commands | MEAS:CURR? MEAS:CURR:AMPL:MAX? |

MEASure:CURRent:RANGe

This commands selects the measurement range to use for current, peak current and power measurements. Available choices are high range (0), low range (1) or auto ranging (2). See measurement specifications (section 2.2) for actual range values.

| | |
|---------------------|--------------------------------|
| Query Syntax | MEASure:CURRent:RANGe |
| Parameters | 0 1 2 |
| Examples | MEAS:CURR:RANG? |
| Returned Parameters | <NR2> |
| Related Commands | MEAS:CURR? MEAS:CURR:AMPL:MAX? |

MEASure:POWer[:REAL]?

This query returns the true power delivered to the unit under test by the AC source. Note that the output relay must be closed to obtain current flow.

| | |
|---------------------|-----------------------|
| Query Syntax | MEASure:POWer[:REAL]? |
| Parameters | None |
| Examples | MEAS:POW? |
| Returned Parameters | <NR2> |
| Related Commands | MEAS:VOLT? MEAS:CURR? |

MEASure:POWer:APParent?

This query returns the apparent power delivered to the unit under test by the AC source. Note that the output relay must be closed to obtain current flow.

| | |
|---------------------|-------------------------|
| Query Syntax | MEASure:POWer:APParent? |
| Parameters | None |
| Examples | MEAS:POW:APP? |
| Returned Parameters | <NR2> |
| Related Commands | MEAS:POW? |

MEASure:POWer:PFActor?

This query returns the power factor. The power factor is the ratio between real power and apparent power. This value is always between 0.00 and 1.00. If the current measured is too low to determine the power factor, a 1.00 value is returned.

| | |
|---------------------|-------------------------|
| Query Syntax | MEASure:POWer:PFActor? |
| Parameters | None |
| Examples | MEAS:POW:PFAC? |
| Returned Parameters | <NR2> |
| Related Commands | MEAS:POW? MEAS:POW:APP? |

10.4 Source Subsystem

This subsystem programs all the output parameters of the RP Series AC source.

Subsystem Syntax

| | |
|------------|--|
| [SOURce:] | |
| CURRent: | Set the rms current limit in amps. |
| VOLTage: | |
| [LEVel] | Set the rms output voltage value in volts. |
| RANGe: | |
| [LEVel] | Set the output voltage range. |
| AUTO | Enables or disables the AUTO range mode. |
| FREQuency: | Set the output frequency value in Hz. |

[SOURce:]CURRent

This command sets the rms current limit of the output. If the load current exceeds the programmed current limit, the unit responds in one of two ways, depending on the current limit mode that is configured. (Hardware configuration only). In the default constant current mode, the output voltage will fold back as much as needed to retain the current at the programmed limit. No error message is generated when operating in this mode. If constant voltage mode is configured instead, the output latches into a disabled state when current limiting occurs. The output voltage is set to 5.0 volt when this condition occurs and the output relay state is set to 0 (output relay open). A “-300, Device specific error” fault is generated.

Note that the CURRent command is coupled with the VRANGe. This means that the maximum current limit that can be programmed at a given time depends on the voltage range setting in which the unit is presently operating.

| | |
|---------------------|--|
| Command Syntax | [SOURce:]CURRent <NRf> |
| Parameters | 0 to a value specified by the LIM:CURR |
| Unit | A (rms amperes) |
| *RST | Defined by the PON |
| Examples | CURR 5 |
| Query Syntax | CURRent? |
| Returned Parameters | <NR2> |
| Related Commands | VOLT:RANG |

[SOURce:]FREQuency

This command sets the frequency of the output sinewave.

| | |
|---------------------|--|
| Command Syntax | [SOURce:]FREQuency <NRf> |
| Parameters | range specified by the LIM:FREQ:LOW and LIM:FREQ:HIGH commands |
| Unit | Hz (Hertz) |
| *RST Value | defined by PON |
| Examples | FREQ 50 |
| Query Syntax | FREQuency? |
| Returned Parameters | <NR2> |
| Related Commands | LIM:FREQ;LOW? LIM:FREQ;HIGH? |

[SOURce:]VOLTage

This command programs the AC rms output voltage level of the power source. The maximum voltage value allowed is determined by the selected voltage range. For 2001RP-AV models configured for single voltage range, only one range is available.

| | |
|---------------------|--|
| Command Syntax | [SOURce:]VOLTage[:LEVel] <NRf> |
| Parameters | 0 to maximum voltage range specified by the VRAN command |
| Unit | V (rms voltage) |
| *RST Value | 0 volt |
| Examples | VOLT 250 VOLT:LEV 25 |
| Query Syntax | [SOURce:]VOLTage[:LEVel]? |
| Returned Parameters | <NR2> |
| Related Commands | VOLT:RANGe |

[SOURce:]VOLT:RANGe[:LEVel]

This command sets the voltage range of the power source . Two voltage ranges are available: a 150 volt range and a 300 volt range. However, 2001RP units with optional voltage ranges are available as well. In this case, the actual voltage range values will be different. To determine the actual range values, use the query format of the RANGE command. The returned values for high and low range (eg. 150 and 300) should be used to change range. In most cases, the high voltage range value will be two times the low voltage range value. Sending a parameter other than the actual range values will not be accepted.

For 2001RP-AV models configured for single voltage range, only one range is available. In this case, the VOLT:RANG command will return the value for the only available range. Attempting to select any other voltage range will result in a “-100, Command Error”. The presence of a single voltage range unit may be determined using the Limit subsystem, see section 10.6.

Some RP Series may use other voltage range values than shown here. It is recommended to query the actual range values using the LIM:VOLT? query as part of your application program. See section 10.6.

When the range is set to 150, the maximum rms voltage that can be programmed is 150 volts.

The VOLT:RANG command is coupled with the CURRent command. This means that the maximum current limit that can be programmed at a given time depends on the voltage range setting in which the unit is presently operating.

| | |
|---------------------|--------------------------------------|
| Command Syntax | [SOURce:]VOLTage:RANGe[:LEVel] <NRf> |
| Parameters | 150 300 |
| *RST Value | defined by the PONS |
| Examples | VOLT:RANG 150 |
| Query Syntax | VOLT:RANGe? |
| Returned Parameters | <NR2> |
| Related Commands | VOLT LIM:VOLT? VOLT:RANG:AUTO |

[SOURce:]VOLT:RANGe:AUTO

This command sets the AC source range to the AUTO mode. While in AUTO mode, the AC source automatically switches to the optimal voltage range for the voltage programmed. Note that switching voltage ranges causes the output to be interrupted momentarily. If power to the unit under test cannot be interrupted, the AUTO range should not be used.

To determine the actual voltage range in which the unit is operating, the VOLT:RANG? command query can be used.

For 2001RP-AV models configured for single voltage range, only one range is available. In this case, the VOLT:RANGe:AUTO command has no meaning and should not be used.

The maximum current limit that can be programmed at a given time depends on the voltage range setting in which the unit is presently operating. Programming a current limit value that exceeds the high voltage range capability does NOT cause the voltage range to change, even while in AUTO mode. Only voltage changes can prompt an automatic voltage range change.

| | |
|---------------------|------------------------------------|
| Command Syntax | [SOURce:]VOLTage:RANGe:AUTO <Bool> |
| Parameters | <Bool> 0 1 |
| *RST Value | 0 |
| Examples | VOLT:RANG:AUTO 1 |
| Query Syntax | VOLT:RANG:AUTO? |
| Returned Parameters | <Bool> |
| Related Commands | VOLT LIM:VOLT? VOLT:RANG:LEV |

10.5 Output Subsystem

This subsystem controls the main output function of the RP Series source.

Subsystem Syntax

| | |
|----------|--|
| OUTPut | |
| [:RElAy] | Opens or closes the output relay. |
| DROp | Drops the output voltage for a specified amount of time or indefinitely. |
| STARt: | |
| [STATe] | Enables or disables the start phase angle mode |
| PHASe | Sets the start phase angle value in degrees. |

OUTPut[:RElAy]

The output of the AC source can be isolated from the unit under test by opening the output relay. The programmed output voltage is set to zero before opening the relay and is returned to its programmed value when closing the relay. This avoids hot switching the output relay contacts.

| | |
|---------------------|------------------------|
| Command Syntax | OUTPut[:RElAy] <bool> |
| Parameters | <Bool> 0 1 |
| *RST Value | defined by the PONS |
| Examples | OUTP 1 |
| Query Syntax | OUTPut? |
| Returned Parameters | 0 1 |
| Related Commands | OUTP:DROp OUTP:STAR |

OUTPut:DROP

The output drop command may be used to interrupt the voltage to the UUT without opening the output relay. This method used an electronic means of interrupting the AC source output which enables short interruptions of as little as 1 msec or as long as 4000 sec.

In addition to short interruption times, the drop command can be set to use any of four start phase angles at which to execute the voltage drop.

The parameter passed with the OUTP:DROP command is the drop duration in seconds.

This value can range from 0.001 (1 msec) to 4000 (1 hour, 6 min, 40 sec) but only four digits of resolution are allowed. If no parameter is passed, the output is drop indefinitely or until a voltage command is issued. Thus valid time periods are:

| Time range | |
|---------------|--|
| 0.001 - 9.999 | 1 msec to 10 secs |
| 10.00 - 99.99 | 10 secs to 100 secs |
| 100.0 - 999.9 | 100 secs to 1000 secs |
| 1000 - 4000 | 1000 secs to 4000 secs |
| no parameter | Infinite time. Use VOLT command to turn output on. |

Turing on output voltage at a specified phase angle

The following command sequence will turn the output voltage on at a specified phase angle. This may be required to measure worst case inrush current.

```

/* Set up sequence
VOLT 0           Set output voltage to zero
OUTP 1          Close output relay
OUTP:STAR:STAT 1 Enable start phase mode
OUTP:STAR:PHAS 90 Set start phase angle to 90 degrees
OUTP:DROP       Put AC source in infinite drop mode
/* Turn on sequence
VOLT 230        Turn on voltage to 230 V at 90 degrees

```

Output drop status query

The status of a drop in progress can be queried using the query format of the OUTP:DROP command. This query will return a <Bool> indicating if the output time specified has expired (0) or the drop is still in progress (1).

| | |
|---------------------|----------------------------------|
| Command Syntax | OUTPut:DROP <NRf> |
| Parameters | <NRf> none |
| *RST Value | none |
| Examples | OUTP:DROP 0.001 |
| Query Syntax | OUTP:DROP? |
| Returned Parameters | 0 1 |
| Related Commands | OUTP:STAR:STAT OUTP:STAR:PHAS |

OUTPut: STARt[:STATe]

The output start state command is used to enable or disable the start phase logic of the AC source controller. If disabled (State = 0), any voltage drops with the OUTP:DROP command or voltage changes with the VOLT command are executed immediately without regard for the phase angle of the output sinewave.

If enable (State = 1), any voltage drops or voltage changes take place at one of four user specified phase angles. See the OUTP:STAR:PHAS command for available phase angle settings.

| | |
|---------------------|-----------------------------|
| Command Syntax | OUTPut:STARt[:STATe] <bool> |
| Parameters | <Bool> 0 1 |
| *RST Value | 0 |
| Examples | OUTP:STAR 1 |
| Query Syntax | OUTP:STAR? |
| Returned Parameters | 0 1 |
| Related Commands | OUTP:DROP OUTP:STAR:PHAS |

OUTPut: STARt:PHASe

The output start phase command is used to set the start phase angle for drop or voltage programming commands. This phase angle information is used only if the OUTP:DROP:STATe is on (1). If not, all drops and voltage changes occur at random phase angles.

Available phase angle values are 0°, 90°, 180° and 270°. All other values when passed as a parameter to this command will generate a syntax error.

| | |
|---------------------|-----------------------------|
| Command Syntax | OUTPut:STARt:PHASe <NR2> |
| Parameters | 0 90 180 270 |
| *RST Value | 0 |
| Examples | OUTP:STAR:PHAS 90 |
| Query Syntax | OUTPut? |
| Returned Parameters | 0 90 180 270 |
| Related Commands | OUTP:DROP OUTP:STAR:STAT |

10.6 Limit Subsystem

This subsystem controls the voltage frequency and current limit of the power source. These limits are set at the factory and depend on the power source rating. It is not accessible by the user. The query format is accessible however.

Subsystem Syntax

| | | |
|------------|-------|-----------------------------------|
| LIMit: | | |
| CURRent? | | Queries the upper current limit |
| FREQuency: | | |
| | LOW? | Queries the lower frequency limit |
| | HIGH? | Queries the upper frequency limit |
| VOLTage? | | Queries the upper voltage limit |

LIMit:CURRent?

This command queries the maximum current limit the power source will operate at in the low voltage range.

| | | |
|---------------------|--|---------------------|
| Command Syntax | LIMit:CURRent <NRf> | |
| Parameters | maximum current limit at low voltage range | [command protected] |
| Query Syntax | LIMit:CURRent? | |
| Returned Parameters | <NR2> | |

LIMit:FREQuency:LOW?

This command queries the lower frequency limit of the power source. On the 2001RP-AV, the frequency range may have been factory configured to a fixed single value. In this case, the High and Low frequency limits will be set to the same value and both queries will return the same number. Sending a frequency command with any value other than the set value will result in a "-100, Command Error".

| | | |
|---------------------|---------------------------|---------------------|
| Command Syntax | LIMit:FREQuency:LOW <NRf> | |
| Parameters | Low freq limit | [command protected] |
| Query Syntax | LIMit:FREQuency:LOW? | |
| Returned Parameters | <NR2> | |

LIMit:FREQuency:HIGH?

This command queries the upper frequency limit of the power source. On the 2001RP-AV, the frequency range may have been factory configured to a fixed single value. In this case, the High and Low frequency limits will be set to the same value and both queries will return the same number. Sending a frequency command with any value other than the set value will result in a "-100, Command Error".

| | | |
|---------------------|----------------------------|---------------------|
| Command Syntax | LIMit:FREQuency:HIGH <NRf> | |
| Parameters | High freq limit | [command protected] |
| Query Syntax | LIMit:FREQuency:HIGH? | |
| Returned Parameters | <NR2> | |

LIMit:VOLTage?

This command queries the maximum voltage the power source will operate at in the high voltage range. For 2001RP-AV models configured for single voltage range, only one range is available. In this case, this command will return the value for the only available voltage range. The presence of a single range configuration can be derived from the limit value returned. If the voltage limit value is less than 201 volt, the 2001RP is configured for single voltage range operation. If a value above 200 volt is returned, the 2001RP has a high and a low voltage range. On dual range configurations, the maximum voltage in the high range is returned and this value must be even. The low range value is half that of the high range. On single voltage range units, the value voltage of the only available range is returned and this value can be odd or even.

Only the Query format of this command is available to the user.

| | |
|---------------------|---|
| Command Syntax | LIMit:VOLTage<NRf> |
| Parameters | maximum voltage available in high voltage range [command protected] |
| Query Syntax | LIMit:VOLTage? |
| Returned Parameters | <NR2> |

10.7 Display Subsystem

DISPlay:MODE

This command is used to control the right hand side AC source display. The command will allow the multifunction LCD display to switch between display of frequency, current, peak current, power or power factor data.

The encoding for the mode command is as shown in the table below,

| Parameter | Value |
|--------------|-------|
| Frequency | 1 |
| Current | 2 |
| Peak Current | 3 |
| Power | 4 |
| Power Factor | 5 |

Table 10-1: Mode Command Encoding

| | |
|---------------------|--------------------|
| Command Syntax | DISPlay:MODE <NR2> |
| Parameters | 1 2 3 4 5 |
| *RST Value | 1 |
| Examples | DISP:MODE 2 |
| Query Syntax | DISPlay:MODE? |
| Returned Parameters | <NR1> |
| Related Commands | none |

10.8 System Commands

The system commands control the system level functions of the AC Source.

Subsystem Syntax

| | |
|---------|---|
| SYSTem: | |
| ERRor? | Returns the error number and error string |
| KLOCK | Keyboard Lock. Sets the power on REMOTE/LOCAL state. |
| LOCAL | Go to local mode |
| PON | Define the power on register number |
| REMOte | Go to remote mode |
| SAVE | Saves calibration coefficients if calibration state is on |

SYSTem:ERRor?

This query returns the next error number followed by its corresponding error message string from the remote programming error queue. The queue is a FIFO (first-in, first-out) buffer that stores errors as they occur. As it is read, each error is removed from the queue. When all errors have been read, the query returns 0, "No Error". If more errors are accumulated than the queue can hold, the last error in the queue is -350, "Queue overflow".

| | |
|---------------------|---------------|
| Query Syntax | SYSTem:ERRor? |
| Parameters | None |
| Returned Parameters | <NR1>,<SRD> |
| Example | SYST:ERR? |

SYSTem:KLOCK

This command sets or clears the power on LOCAL or REMOTE state. When set (1), the AC Source will power up in remote state, locking out all keyboard controls. The local state can only be entered by sending a bus command. This mode may be used to prevent operator access to front panel controls under all conditions. Note that changing the state of the KLOCK setting does not change the REMOTE or LOCAL state. This setting only affects the REMOTE/LOCAL state at power-up.

| | |
|---------------------|----------------------|
| Command Syntax | SYSTem:KLOCK |
| Parameters | 0 1 |
| Example | SYST:KLOC 1 |
| Query Syntax | SYST:KLOC? |
| Returned Parameters | <NR1> |
| Related Commands | SYST:REM SYST:LOC |

SYSTem:LOCAL

This command sets the interface in Local state, which enables the front panel controls. This command only applies to the RS232C interface. If IEEE 488 is used, the remote/local state is determined by the REN line on the IEEE 488 interface.

| | |
|------------------|--------------|
| Command Syntax | SYSTem:LOCAL |
| Parameters | None |
| Example | SYST:LOC |
| Related Commands | SYST:REM |

SYSTem:REMOte

This command sets the interface in the Remote state, which disables all front panel controls. This command only applies to the RS232C interface. If IEEE 488 is used, the remote/local status is determined by the REN line on the IEEE 488 interface.

| | |
|------------------|---------------|
| Command Syntax | SYSTem:REMOte |
| Parameters | None |
| Example | SYST:REM |
| Related Commands | SYST:LOC |

SYSTem:PON

This command is used to define the register value the power source will use to initialize its parameters at power up. If data in the selected register is not valid or the selected register is 8, the initialization will be with factory default values. Refer to Table 4-1: Factory Default Power on Settings on page 34.

NOTE: Units with the -AV option installed should not use the SYSTem:PON command with parameter 8 to select the factory defaults as the factory default setting would set the output frequency to 60 Hz. The lowest allowable frequency on -AV units is 360 Hz. Valid parameter range for the SYSTem:PON command on -AV units is 0 through 7.

| | |
|---------------------|---------------------------------------|
| Command Syntax | SYSTem:PON <NRf> |
| Parameters | 0 to 8 or 0 to 7 for -AV option units |
| Examples | SYST:PON 1 |
| Query Syntax | SYST:PON? |
| Returned Parameters | <NR1> |
| Related Commands | *SAV |

SYSTem:SAVE

This command saves the calibration coefficients for output and measurement calibration to the non volatile memory of the AC source. This command is only valid while the AC source is in the Calibration mode. (See section 10.2.1 for details).

| | |
|------------------|-------------|
| Command Syntax | SYSTem:SAVE |
| Parameters | none |
| Examples | SYST:PON |
| Related Commands | CAL:STAT |

10.9 Common Commands

Common commands begin with an * and consist of three letters (command) or three letters and a ? (query). Common commands are defined by the IEEE 488.2 standard to perform some common interface functions. The power source responds to the required common commands that control status reporting, synchronization, and internal operations. RP Series units also respond to optional common commands that control stored operating parameters.

Common commands and queries are listed alphabetically. If a command has a corresponding query that simply returns the data or status specified by the command, then both command and query are included under the explanation for the command. If a query does not have a corresponding command or is functionally different from the command, then the query is listed separately. The description for each common command or query specifies any status registers affected. Refer to Chapter 12 which explains how to read specific register bits and use the information that they return.

Common Commands Syntax

| | |
|----------|--|
| *CLS | Clear status |
| *ESE <n> | Standard event status enable |
| *ESE? | Return standard event status enable |
| *ESR? | Return event status register |
| *IDN? | Return instrument identification |
| *RCL <n> | Recall instrument state |
| *RST | Reset |
| *SAV <n> | Save instrument state |
| *SRE <n> | Set service request enable register |
| *SRE? | Return service request enable register |
| *STB? | Return status byte |

10.9.1 *CLS

This command clears the following registers (see chapter 12 for descriptions of all status registers):

- Standard Event Status
- Status Byte
- Error Queue

| | |
|----------------|------|
| Command Syntax | *CLS |
| Parameters | None |

10.9.2 *ESE

This command programs the Standard Event Status Enable register bits. The programming determines which events of the Standard Event Status Event register (see *ESR?) are allowed to set the ESB (Event Summary Bit) of the Status Byte register. A "1" in the bit position enables the corresponding event. All of the enabled events of the Standard Event Status Enable Register are logically OR-ed to cause the Event Summary Bit (ESB) of the Status Byte Register to be set. See Section 16 for descriptions of the Standard Event Status registers.

The query reads the Standard Event Status Enable register.

Table 10-2: Bit Configuration of Standard Event Status Enable Register

| Bit Position | 7 | 6 | 5 | 4 | 3 | 2 | 1 | 0 |
|--------------|-----|----------|-----|-----|-----|-----|----------|----------|
| Bit Name | PON | not used | CME | EXE | DDE | QYE | not used | not used |
| Bit Weight | 128 | | 32 | 16 | 8 | 4 | | |

| | | | |
|-----|-----------------|-----|------------------------|
| CME | Command error | DDE | Device-dependent error |
| EXE | Execution error | QYE | Query error |
| PON | Power-on | | |

| | |
|---------------------|-----------------------|
| Command Syntax | *ESE <NRf> |
| Parameters | 0 - 255 |
| Power-On Value | 128 |
| Example | *ESE 129 |
| Query Syntax | *ESE? |
| Returned Parameters | <NR1>(Register value) |
| Related Commands | *ESR? *STB? |

10.9.3 *ESR?

This query reads the Standard Event Status register. Reading the register clears it. The bit configuration of this register is the same as the Standard Event Status Enable register (see *ESE).

| | |
|---------------------|-----------------------|
| Query Syntax | *ESR? |
| Parameters | None |
| Returned Parameters | <NR1>(Register value) |
| Related Commands | *CLS *ESE *ESE? |

If the *ESR? returns the value of the status bits in the ESR register. Refer to Table 10-3 for the status bits and their meaning.

Table 10-3: Bit Configuration of Standard Event Status Register

| Bit Position | 7 | 6 | 5 | 4 | 3 | 2 | 1 | 0 |
|--------------|-----|----------|-----|-----|-----|-----|----------|----------|
| Bit Name | PON | not used | CME | EXE | DDE | QYE | not used | not used |
| Bit Weight | 128 | | 32 | 16 | 8 | 4 | | |

| | | | |
|-----|-----------------|-----|------------------------|
| CME | Command error | DDE | Device-dependent error |
| EXE | Execution error | QYE | Query error |
| PON | Power-on | | |

10.9.4 *IDN?

This query requests the source to identify itself. It returns the data in four fields separated by commas. Note that any installed options such as –AV or –LZ are not reflected in the *IDN? query response. The presence of these options that may affect the power source's capabilities must be determined by querying the Limit system. See section 10.6.

| | | |
|---------------------|---------------------------|----------------------------|
| Query Syntax | *IDN? | |
| Returned Parameters | <AARD> | |
| | Field | Information |
| | CI | Manufacturer |
| | xxxxxx | Model number and letter |
| | nnnnnn | Serial number or 0 |
| | Rev. x.x | Revision level of firmware |
| Example | "CI,2001RP,12345,Rev 1.0" | |

The following table shows the series of queries that may be used to detect the presence of a 2001RP, a 2001RP-AV or a 2001RP-LZ and to determine the frequency range setting of a 2001RP-AV:

| Step | Query command | Response | Interpretation |
|-----------------------------------|----------------|---------------------------|--------------------------|
| 1 | *IDN? | "CI,2001RP,12345,Rev 1.0" | 2001RP series unit. |
| 2 | LIM:VOLT? | 300 | 2001RP standard unit |
| | | 270 | 2001RP-LZ |
| | | 230 | 2001RP-AV, dual Vrange. |
| | | 115 | 2001RP-AV, single Vrange |
| <i>For 2001RP-AV models only:</i> | | | |
| 3 | LIM:FREQ:LOW? | 360 | Standard frequency range |
| | | 400 | Fixed 400 Hz |
| 4 | LIM:FREQ:HIGH? | 5000 | Standard frequency range |
| | | 400 | Fixed 400 Hz |

10.9.5 *RCL

This command restores the AC source to a state that was previously stored in memory with a *SAV command to the specified location. The RP Series offers eight non-volatile memory locations for storing instrument setups.

| | | |
|------------------|-------------|--|
| Command Syntax | *RCL <NRf> | |
| Parameters | 0 through 7 | |
| Example | *RCL 3 | |
| Related Commands | *RST *SAV | |



WARNING: *Recalling a previously stored state may place hazardous voltages at the AC source output if the output relay state saved is ON.*

10.9.6 *RST

This command resets the AC source to a setting defined by the values in the register defined by PON if valid or by the following factory-defined states:

Table 10-4: *RST Default Parameter Values

| Item | Value | Item | Value |
|------------------|-------------------------------|------------------|-----------------------------|
| VOLT | 5.0 V | FREQ | 60 Hz |
| CURR | 13.4 A 14.8 A (-LZ option) | VOLT:RANGe:LEVel | 150 V 135 V (-LZ option) |
| | | VOLT:RANGe:AUTO | 0 (OFF) |
| OUTP | 0 (OFF) | DISP:MODE | 1 (FREQ) |
| OUTP:STARt:STATe | 0 (OFF) | OUTP:STARt:PHASe | 0 |

NOTE: The factory defaults cannot be used on units with the -AV option. Instead, one of the setup registers 0 through 7 must be selected for the power on state. Executing the *RST command will recall the settings from the assigned setup register. Use the SYSTem:PON to select one of the available setup registers for the power on and *RST states.

| | |
|------------------|------|
| Command Syntax | *RST |
| Parameters | None |
| Related Commands | *SAV |

Table 10-5: Status Registers - Power on Conditions

| Register | Status on Power On | Status after *RST |
|----------------|---------------------------|--------------------------------|
| - ESE register | All 0's | All 0's |
| - ESR register | PON bit = 1, all others 0 | PON = 0, all others unaffected |
| - STB register | All 0's | All 0's |
| - SRE register | All 0's | All 0's |

Note: Sending the *RST command will cause the unit to recall the REMOTE or LOCAL state based on the setting of the SYSTem:KLOCK command. This may put the unit in local if this state is set to 0. To avoid this, either set the SYSTem:KLOCK state to 1 or follow the *RST command with a SYST:REM command. See SYSTem:KLOCK for information on the power up remote / local state.

10.9.7 *SAV

This command stores the present state of the AC source to a specified location in memory. The RP Series offers eight non-volatile memory locations for storing instrument setups.

| | |
|------------------|-------------|
| Command Syntax | *SAV |
| Parameters | 0 through 7 |
| Related Commands | *RCL *RST |

10.9.8 *SRE

This command sets the condition of the Service Request Enable Register. This register determines which bits from the Status Byte Register (see *STB for its bit configuration) are allowed to set the Master Status Summary (MSS). A 1 in any Service Request Enable Register bit position enables the corresponding Status Byte Register bit and all such enabled bits then are logically OR-ed to cause Bit 6 of the Status Byte Register to be set. See Section 12 for more details concerning this process.

When the controller conducts a STB? command, the MSS bit is not cleared. When *SRE is cleared (by programming it with 0), the source cannot generate an MSS bit.

| | |
|---------------------|------------------------------|
| Command Syntax | *SRE <NRf> |
| Parameters | 0 to 255 |
| Default Value | 128 |
| Example | *SRE 255 |
| Query Syntax | *SRE? |
| Returned Parameters | <NR1>(Register binary value) |
| Related Commands | *ESE *ESR |

10.9.9 *STB?

This query reads the Status Byte register, which contains the status summary bits and the Output Queue MAV bit. Reading the Status Byte register does not clear it. The input summary bits are cleared when the appropriate event registers are read (see Section 12 for more information).

Table 10-6: Bit Configuration of Status Byte Register

| Bit Position | 7 | 6 | 5 | 4 | 3 | 2 - 0 |
|--------------|------|-----|-----|-----|------|----------|
| Bit Name | OPER | MSS | ESB | MAV | QUES | not used |
| Bit Weight | 128 | 64 | 32 | 16 | 8 | |

| | | | |
|------|-----------------------------|-----|-----------------------|
| OPER | operation status summary | MSS | master status summary |
| ESB | event status byte summary | | |
| QUES | questionable status summary | MAV | message available |

| | |
|---------------------|-------------------------------|
| Query Syntax | *STB? |
| Returned Parameters | <NR1> (Register binary value) |

11 Programming Examples

11.1 Introduction

This chapter contains examples on how to program the AC source. Simple examples show you how to program:

- Output functions such as voltage and frequency
- Measurement functions

The examples in this chapter use generic SCPI commands. See Section 9 for information about encoding the commands as language strings. Where appropriate, optional commands are shown for clarity in the examples.

11.2 Bus Throughput and Timing Considerations

The 2001RP has a limit on how fast it can process commands sent over the bus. When developing an application program that controls the 2001RP AC source, this must be considered. Specifically, if non-query commands (commands that don't wait for a response such as output setup commands) are sent at too high a rate, the AC source may not be able to process them. In that case, a -100 Command Error will be reported.

This condition may exist on both RS232 and GPIB interface modes and is more prone when faster controllers are used to run the application software. To prevent this condition, it will be necessary to space out successive commands using a 20 msec delay. Alternatively, commands could be sent to other instruments in the same system to accomplish the same result.

Example:

```
VOLT 100  
delay(0.020)  
FREQ 60
```

Alternatively, a query command can be inserted in which case no additional delays are needed.

```
VOLT 100  
SYST:ERR?  
FREQ 60
```

11.3 Programming the Output

Power-on Initialization

When the AC source is first turned on, it wakes up with the output state defined by the PON register number. If the register number or the register has no valid data, the AC source initializes to the following state.

```
VOLT 5.0  
FREQ 60  
OUTP 0  
VOLT:RANG 150
```

The following commands are given implicitly at power-on:

```
*RST  
*CLS  
*SRE 128  
*ESE 0
```

*RST is a convenient way to program all parameters to a known state. Refer to Table 10-4 under the *RST command in paragraph 10.9.6 to see how each programmable parameter is set by *RST.

Enabling the Output

To enable the output, use the command:

```
OUTPut 1
```

Voltage and Frequency

The AC rms output voltage is controlled with the VOLTage command. For example, to set the AC output voltage to 125 volts rms, use:

```
VOLTage 125
```

The maximum voltage that the AC source can output is limited by the rms value of the waveform. This value is defined by the LIMIT subsystem.

Voltage Ranges

The power source has two voltage ranges that are controlled by a relay. The command that controls the range is:

```
VOLTage:RANGe 150 | 300
```

When the range is set to (150), the maximum rms voltage that can be programmed is 150 volts rms, but it is only on this range that the maximum output current rating is available.

The VOLT:RANGe command is coupled with the CURRent command. This means that the maximum current limit that can be programmed at a given time depends on the voltage range setting in which the unit is presently operating.

Frequency

The output frequency is controlled with the FREQUENCY command. To set the output frequency to 50 Hz, use:

```
FREQUENCY 50
```

Turning on output voltage at a specified phase angle

The following command sequence will turn the output voltage on at a specified phase angle. This may be required to measure worst case inrush current.

| | |
|---------------------|--|
| /* Set up sequence | |
| VOLT 0 | Set output voltage to zero |
| OUTP 1 | Close output relay |
| OUTP:STAR:STAT 1 | Enable start phase mode |
| OUTP:STAR:PHAS 90 | Set start phase angle to 90 degrees |
| OUTP:DROP | Put AC source in infinite drop mode |
| /* Turn on sequence | |
| VOLT 230 | Turn on voltage to 230 V at 90 degrees |

Current Limit

To set the RMS current limit use:

```
CURRENT <n>
```

where <n> is the RMS current limit in amperes.

If the load attempts to draw more current than the programmed limit, The AC source is programmed to turn off its output if the RMS current limit is reached.

Note: *The CURRENT command is coupled with the VOLTage:RANGe. This means that the maximum current limit that can be programmed at a given time depends on the voltage range setting in which the unit is presently operating.*

12 Status Registers

You can use status register programming to determine the operating condition of the AC source at any time. For example, you may program the AC source to generate an MSS when an event such as a current limit occurs. When the MSS bit is set, your program can then act on the event in the appropriate fashion.

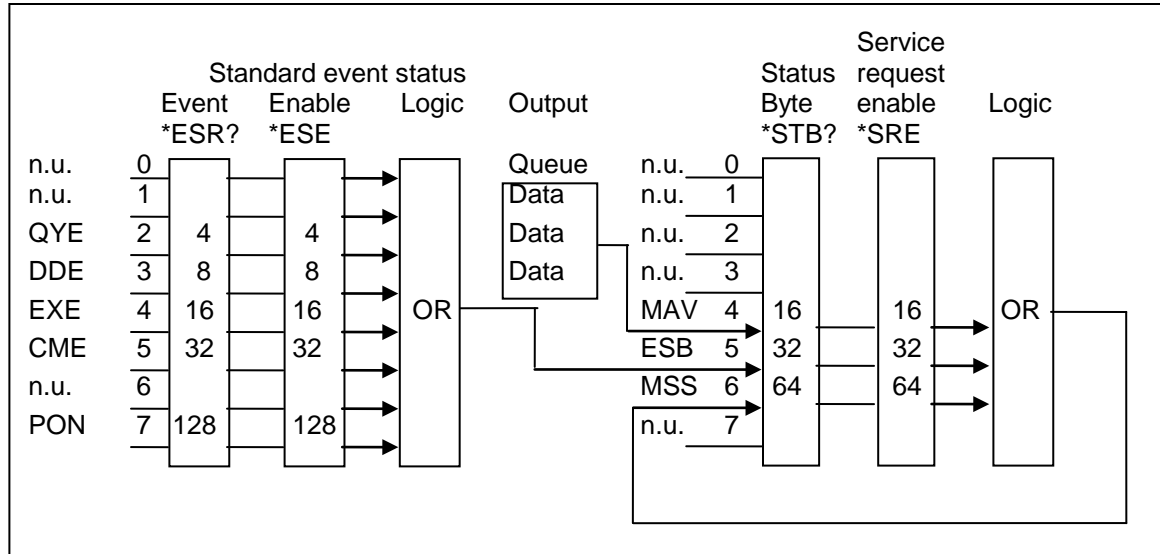


Figure 12-1: AC Source Status System Model

Figure 12-1 shows the status register structure of the AC source. The Standard Event, Status Byte, and Service Request Enable registers and the Output Queue perform standard IEEE-488 functions as defined in the IEEE 488.2 Standard Digital Interface for Programmable Instrumentation.

12.1 Power-On Conditions

Refer to the *RST command description in paragraph 10.9.6 for the power-on conditions of the status registers.

12.2 Standard Event Status Group

This group consists of an Event register and an Enable register that are programmed by Common commands. The Standard Event register latches events relating to interface communication status. It is a read-only register that is cleared when read. The Standard Event Enable register functions similarly to the enable registers of the Operation and Questionable status groups.

| Command | Action |
|----------------|---|
| *ESE | programs specific bits in the Standard Event Enable register. |
| *ESR? | reads and clears the Standard Event register. |

The PON bit in the Standard Event register is set whenever the AC source is turned on.

12.3 Status Byte Register

This register summarizes the information from all other status groups as defined in the IEEE 488.2 Standard Digital Interface for Programmable Instrumentation. The bit configuration is shown in Table 10-6.

| Command | Action |
|----------------|---|
| *STB? | reads the data in the register but does not clear it (returns MSS in bit 6) |

The MSS Bit

This is a real-time (unlatched) summary of all Status Byte register bits that are enabled by the Service Request Enable register. MSS is set whenever the AC source has one or more reasons for needing service. *STB? reads the MSS in bit position 6 of the response but does not clear any of the bits in the Status Byte register.

The MAV bit and Output Queue

The Output Queue is a first-in, first-out (FIFO) data register that stores AC source-to-controller messages until the controller reads them. Whenever the queue holds one or more bytes, it sets the MAV bit (bit 4) of the Status byte register.

12.4 Examples

The following section contains examples of commonly used operations involving the status registers.

You can determine the reason for an MSS bit set by the following actions:

Step 1 : Determine which summary bits are active. Use:

*STB?

Step 2 : Read the corresponding Event register for each summary bit to determine which events caused the summary bit to be set. Use:

ESR?

Note: *When an Event register is read, it is cleared. This also clears the corresponding summary bit.*

Step 3 : Remove the specific condition that caused the event. If this is not possible, the event may be disabled by programming the corresponding bit of the status group Enable.

Appendix A: SCPI Command tree

Command Syntax Tree

| Root | Level 1 | Level 2 | Level 3 | Level 4 |
|------|-------------|-------------------|--------------------|--------------------|
| | CALibrate | :STATe | | |
| | | :MEASure | :CURRent | [:FSCale] :ZERO |
| | | | :PCURrent | [:FSCale] :ZERO |
| | | | :POWer | [:FSCale] :ZERO |
| | | | :VOLTage | [:FSCale] :ZERO |
| | | [:SOURce]:VOLTage | | |
| | [SOURce] | :CURRent | | |
| | | :FREQuency | | |
| | | :VOLTage | [:LEVel] :RANGe | |
| | | :OUTPut | | |
| | OUTPut | [:RELay] | | |
| | | :DROp | | |
| | | :STARt | [:STATe] :PHASe | |
| | MEASurement | :CURRent? | :AMPLitude | :MAX? :RESet |
| | | | :CREStfactor | |
| | | | :RANGe | |
| | | :POWer | [:REAL]? | |
| | | | :APParent? | |
| | | | :PFACtor? | |
| | | :VOLTage? | | |
| | DISPlay | :MODE | | |
| | SYSTem | :PON | | |
| | | :REMote | | |
| | | :LOCal | | |
| | | :KLOCK | | |
| | | :SAVE | | |
| | LIMit | :CURRent | | |
| | | :VOLTage | | |
| | | :FREQuency | :LOW :HIGH | |

Appendix B: SCPI Conformance Information

SCPI Version

The RP Series AC power sources conform to SCPI version 1990.0.

Appendix C: Error Messages

| Error Number | Error Message String | Error Causes |
|--------------|-------------------------|--|
| 0 | "No error" | |
| -100 | "Command error" | Generally the result of sending a command that uses incorrect syntax. This same error may result from the inability of the AC source to process successive GPIB non-query commands sent to it. To avoid this condition, it is necessary for the application programmer to insert a 20 msec delay between commands. |
| -200 | "Execution error" | Generally the result of sending a value that is out of range, i.e., a VOLT 200 command when the unit is in the 150 V (Low) range. |
| -300 | "Device specific error" | Generally the result of an over current (current limit trip) or over temperature condition. |
| -350 | "Queue overflow" | Generally caused by too many errors being generated without reading error status, causing error buffer to overflow. |
| -400 | "Query error" | Generally caused by sending a query followed by another command without accepting the query response first. |

Table 12-1: Bus Error Messages

Index

| | |
|--|--------|
| A | |
| Acoustic..... | 9 |
| Altitude..... | 9 |
| C | |
| CALibrate:MEASure:CURRent:ZERO | 84 |
| CALibrate:MEASure:CURRent[FSCale] | 84 |
| CALibrate:MEASure:PCURrent:ZERO | 84 |
| CALibrate:MEASure:PCURrent[FSCale] | 84 |
| CALibrate:MEASure:POWer:ZERO | 86 |
| CALibrate:MEASure:POWer[FSCale] | 86 |
| CALibrate:MEASure:VOLTag:e:ZERO | 86 |
| CALibrate:MEASure:VOLTag:e[FSCale] | 86 |
| CALibrate:STATe | 83 |
| CALibrate[:SOURce]:VOLTag:e | 87 |
| Calibration | 43 |
| CLS..... | 104 |
| command | |
| subsystem..... | 82 |
| commands | |
| bus | 82 |
| common..... | 76 |
| Connect | 65 |
| Construction | |
| internal..... | 7 |
| Conventions..... | 74 |
| Cooling | 7 |
| Current | |
| Constant current mode | 36 |
| Constant Voltage | 36 |
| specification | 3 |
| CURRent..... | 91 |
| D | |
| Dimensions..... | 7 |
| DIP switch..... | 62 |
| DISPlay:MODE..... | 100 |
| E | |
| Efficiency | 2 |
| Emissions | 9 |
| ESE | 104 |
| ESR? | 105 |
| F | |
| factory | |
| default power on setting..... | 35 |
| Finish | |
| paint..... | 7 |
| formats | |
| data | 80 |
| Frequency | |
| specification..... | 4 |
| FREQuency..... | 92 |
| frequency range | |
| 2001RP-AV | 98 |
| fixed..... | 98 |
| front panel | 27, 60 |
| lock..... | 28 |
| Function Strobe..... | 37 |
| Functional Test | 24 |
| G | |
| GPIB | 62 |
| address selection | 62 |
| troubleshooting..... | 70 |
| H | |
| hard disk space | |
| required to install | 65 |
| header | |
| optional | 78 |
| separator | 78 |
| Header | 75 |
| Humidity | 9 |
| I | |
| IDN?..... | 106 |
| IEEE-488..... | 41, 62 |
| address selection | 62 |
| troubleshooting..... | 70 |
| Immunity | 9 |
| Impedance | |
| specification..... | 4 |
| initialization | |
| changing..... | 35 |
| Input power factor | 2 |
| Inrush Current..... | 2 |
| installation | 20, 65 |
| program | 65 |
| Installing | |
| software..... | 66 |
| Insulation..... | 9 |
| Introduction | 1 |
| Isolation Voltage..... | 2 |
| K | |
| keyboard | |
| lock out..... | 101 |
| knob | 30 |

| | |
|--------------------------------------|-----|
| L | |
| LabView | |
| RS232C terminator | 63 |
| LED | 53 |
| LED indicators | 53 |
| LIMit:CURRent? | 98 |
| LIMit:FREQuency:HIGH? | 98 |
| LIMit:FREQuency:LOW? | 98 |
| LIMit:VOLTagE? | 99 |
| Line Current:..... | 2 |
| Line Frequency..... | 2 |
| Line Voltage | 2 |
| -LZ | 1 |
| -LZ functional test..... | 24 |
| -LZ mechanical..... | 7 |
| -LZ Option | 11 |
| -LZ output | 2 |
| M | |
| maintenance..... | 53 |
| Material | |
| chassis..... | 7 |
| MEASure:CURRent:AMPLitdue:RESet..... | 89 |
| MEASure:CURRent:AMPLitude:MAX? | 89 |
| MEASure:CURRent:CREStfactor?..... | 89 |
| MEASure:CURRent:RANGe | 89 |
| MEASure:CURRent?..... | 88 |
| MEASure:POWer:APParent?..... | 90 |
| MEASure:POWer:PFACtor? | 90 |
| MEASure:POWer[| |
| REAL]? | 90 |
| MEASure:VOLTagE[:AC]?..... | 88 |
| memory | |
| required to install | 65 |
| models | |
| supported..... | 60 |
| O | |
| OUTPut:DROP | 96 |
| OUTPut:STARt:PHASe..... | 97 |
| OUTPut:STARt[:STATe] | 97 |
| OUTPut[:RELay]..... | 95 |
| Overcurrent | 7 |
| overload..... | 28 |
| Overtemperature | 7 |
| P | |
| PGUI32..... | 60 |
| Q | |
| queries..... | 77 |
| R | |
| RCL | 106 |
| registration..... | 73 |
| remote control..... | 28 |
| Remote Inhibit..... | 37 |
| replacement parts | 58 |
| Requirements | |
| PGUI32 | 60 |
| root..... | 79 |
| Root | 75 |
| RS232C | 41 |
| RST..... | 107 |
| S | |
| Safety..... | 9 |
| SAV..... | 108 |
| SCPI..... | 74 |
| message..... | 74 |
| program message | 74 |
| response message..... | 74 |
| Separator | 78 |
| Setup | |
| program..... | 65 |
| Shock..... | 9 |
| Short Circuit | |
| current | 7 |
| shuttle | 30 |
| simulation mode..... | 62 |
| SOURce:CURRent | 91 |
| SOURce:FREQuency | 92 |
| SOURce:VOLTagE | 92 |
| SOURce:VOLTagE:RANGe:AUTO..... | 94 |
| SOURce:VOLTagE:RANGe[:LEVel] | 93 |
| SRE..... | 108 |
| status | 28 |
| STB?..... | 109 |
| SYSTem:ERRor?..... | 101 |
| SYSTem:KLOCK..... | 101 |
| SYSTem:LOCAl | 101 |
| SYSTem:PON..... | 102 |
| SYSTem:REMote | 102 |
| SYSTem:SAVE | 102 |
| T | |
| Temperature | |
| operating,storage | 9 |
| terminator..... | 79 |
| RS232C..... | 63 |
| Transients | |
| Input | 7 |
| troubleshooting | 53 |
| V | |
| Vibration..... | 9 |
| Voltage | |
| specification | 2 |
| VOLTagE | 92 |
| voltage range | |
| dual..... | 99 |

single..... 99
voltage ranges 23
VOLTage:RANGe:AUTO..... 94
VOLTage:RANGe[:LEVel] 93

W
Weight..... 7
wiring
input..... 20