

Features

Frequency range of 10 kHz to 10 MHz

Fully compliant with MIL-STD 461

100 Amp_(AC) (forced air cooling)

“Air-core” inductors to prevent saturation

Individual Calibration Included

Three-Year Warranty

Description

The LI-4100 Line Impedance Stabilization Network (LISN) provides the necessary measurement platform for performing power line conducted emissions compliance testing as required by most worldwide standards for commercial products. The LI-4100 is compliant with MIL-STD 461F.

The LISN provides defined stable impedance and isolates the EUT from power source influences, thereby providing accurate and repeatable results.

The LI-4100 includes one pair of, separately housed, single-conductor networks, to be installed in series with each current-carrying conductor in a single-phase, dual-phase or DC power system. A second LI-4100 pair can be used to accommodate 3-phase power systems (Wye or Delta configurations).

The LI-4100 is equipped with Superior Electric SUPERCON® shrouded sockets at the mains (power input) and EUT (power output) ports. The matching color-coded plugs for connection to the mains and EUT wiring are included.

This LISN uses air-core inductors to prevent saturation and permeability variation. The mounting plate of the LI-4100 is left unpainted in order to facilitate connection to earth ground in its installation, which is essential due to high leakage current.



Transient Protection

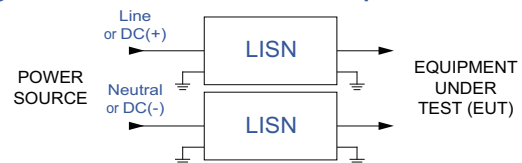
Use of a Transient Limiter for impedance matching, reduction of out-of-band emissions and transient protection for your measurement instrument is highly recommended and available from Com-Power.

Calibration

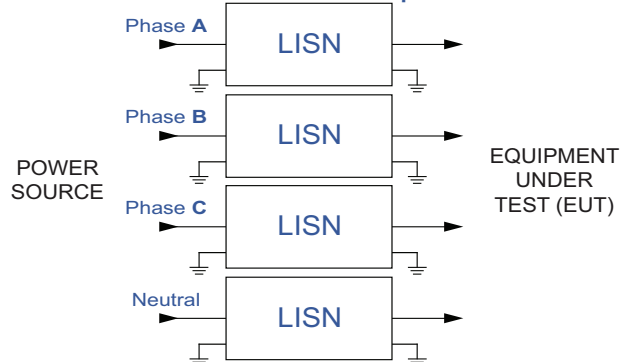
All LI-4100 LISNs are individually calibrated in compliance with the relevant requirements of MIL-STD 461F. Recognized ISO 17025 accredited calibration is also available upon request.

Typical Connection Diagrams

Single Phase connection with one LISN pair



Three Phase connection with two LISN pairs

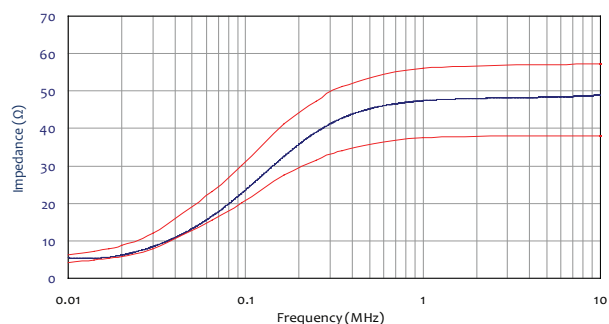


Application

Product Name	Line Impedance Stabilization Network (LISN)
Specification	MIL-STD 461F
Application	Power line conducted emissions tests
Frequency Range	10 kHz to 10 MHz
RF Connector	50Ω N-type (female)
Current Rating	100 Amperes _(AC) , 70 Amperes _(DC)
Voltage Rating	525 VAC (Line to Ground), 740 VDC
Inductors	50 μH (air-core)
Mains & EUT Connections	Superior Electric SUPERCON® shrouded sockets
Dimensions (each network)	10 x 10 x 21 inches / 25.4 x 25.4 x 53.3 cm
Weight (each network)	17 lbs. / 7.7 kg

All specifications are subject to change without notice.
All values are typical, unless specified.

Impedance



Insertion Loss

