



# **Sorensen**

---

## ***DCR-T SERIES***

**5 KW  
Power Supplies**

**Instruction Manual**

**Manual covers DCR-T models:**

<b>4-800T</b>	<b>80-62T</b>
<b>8-400T</b>	<b>110-45T</b>
<b>16-310T</b>	<b>160-30T</b>
<b>32-155T</b>	<b>300-16T</b>
<b>55-90T</b>	<b>600-8T</b>

### **SORENSEN**

Division of Elgar  
9250 Brown Deer Road  
San Diego, CA 92121-2294  
1-800-525-2024  
Tel: (858) 450-0085  
Fax: (858) 458-0267  
Email: [sales@sorensen.com](mailto:sales@sorensen.com)  
[www.sorensen.com](http://www.sorensen.com)

©1999 by Sorensen, Division of Elgar Electronics Corporation

This document contains information proprietary to Sorensen, Elgar Electronics Corporation. The information contained herein is not to be duplicated or transferred in any manner without prior written permission from Sorensen.

## **SORENSEN FIVE-YEAR WARRANTY**

---

Sorensen, a division of Elgar Electronics Corporation, warrants its products to be free from defects in material and workmanship. This warranty is effective for five years from the date of shipment of the product to the original purchaser. Liability of Sorensen under this warranty shall exist provided that:

- the Buyer exposes the product to normal use and service and provides normal maintenance on the product;
- Sorensen is promptly notified of defects by the Buyer and that notification occurs within the warranty period;
- the Buyer receives a Return Material Authorization (RMA) number from Sorensen's Repair Department prior to the return of the product to Sorensen for repair, phone 800-458-4258;
- the Buyer returns the defective product in the original, or equivalent, shipping container;
- if, upon examination of such product by Sorensen it is disclosed that, in fact, a defect in materials and/or workmanship does exist, that the defect in the product was not caused by improper conditions, misuse, or negligence; and,
- that Sorensen QA seal and nameplates have not been altered or removed and the equipment has not been repaired or modified by anyone other than Sorensen authorized personnel.

This warranty is exclusive and in lieu of all other warranties, expressed or implied, including, but not limited to, implied warranties of merchantability and fitness of the product to a particular purpose. Sorensen, its agents, or representatives shall in no circumstance be liable for any direct, indirect, special, penal, or consequential loss or damage of any nature resulting from the malfunction of the product. Remedies under this warranty are expressly limited to repair or replacement of the product.

### **CONDITIONS OF WARRANTY**

- To return a defective product, contact a Sorensen representative or the Sorensen factory for an RMA number. Unauthorized returns will not be accepted and will be returned at the shipper's expense.
- For Sorensen products found to be defective within thirty days of receipt by the original purchaser, Sorensen will absorb all ground freight charges for the repair. Products found defective within the warranty period, but beyond the initial thirty-day period, should be returned prepaid to Sorensen for repair. Sorensen will repair the unit and return it by ground freight pre-paid.
- Normal warranty service is performed at Sorensen during the weekday hours of 7:30 am to 4:30 pm Pacific time. Warranty repair work requested to be accomplished outside of normal working hours will be subject to Sorensen non-warranty service rates.
- Warranty field service is available on an emergency basis. Travel expenses (travel time, per diem expense, and related air fare) are the responsibility of the Buyer. A Buyer purchase order is required by Sorensen prior to scheduling.
- A returned product found, upon inspection by Sorensen, to be in specification is subject to an inspection fee and applicable freight charges.
- Equipment purchased in the United States carries only a United States warranty for which repair must be accomplished at the Sorensen factory.

**Sorensen**

*Committed to Quality...Striving for Excellence*

## TABLE OF CONTENTS

<b>SECTION 1</b>	<b>INTRODUCTION</b>	<b>Page</b>
1.1	INTRODUCTION .....	1-1
1.2	DESCRIPTION .....	1-1
	1.2.1 General .....	1-1
	1.2.2 Automatic Crossover .....	1-1
	1.2.3 Remote Sensing .....	1-2
	1.2.4 Series Operation .....	1-2
	1.2.5 Parallel Operation .....	1-2
	1.2.6 Remote Programming .....	1-2
	1.2.7 Failure Protection .....	1-3
1.3	OPTIONAL MODIFICATIONS .....	1-3
	1.3.1 Chassis Slide Kit .....	1-3
1.4	SPECIFICATIONS .....	1-4
<b>SECTION 2</b>	<b>INSTALLATION</b>	
2.1	GENERAL .....	2-1
2.2	INSPECTION .....	2-1
2.3	OPTIONAL EQUIPMENT INSTALLATION .....	2-1
	2.3.1 Chassis Slide Kit .....	2-2
2.4	MECHANICAL INSTALLATION .....	2-2
2.5	GENERAL PRECAUTIONS .....	2-2
	2.5.1 AC Line Protection .....	2-2
2.6	ELECTRICAL INSTALLATION .....	2-3
2.7	PHASE ROTATION CHECK.....	2-4
2.8	INITIAL CHECKOUT .....	2-5
	2.8.1 Voltage Mode .....	2-5
	2.8.2 Current Mode .....	2-5

<b>SECTION 3</b>	<b>OPERATION</b>	<b>Page</b>
3.1	GENERAL .....	3-1
3.2	LOCAL SENSING .....	3-4
3.3	VOLTAGE MODE .....	3-5
3.4	CURRENT MODE .....	3-6
3.5	REMOTE SENSE .....	3-7
3.6	OVERVOLTAGE PROTECTION .....	3-8
3.7	RESET .....	3-8
3.8	EXTERNAL RESISTANCE PROGRAMMING .....	3-9
	3.8.1 Voltage and Current Mode .....	3-11
	3.8.2 OVP Set .....	3-13
3.9	EXTERNAL SIGNAL PROGRAMMING .....	3-15
	3.9.1 Voltage and Current Mode .....	3-15
	3.9.2 OVP Set .....	3-16
3.10	PARALLEL OPERATION.....	3-17
3.11	SERIES OPERATION .....	3-19
	3.11.1 Series Operation Rectifier.....	3-21
3.12	REMOTE SHUTDOWN .....	3-22
3.13	REMOTE AC CONTROL.....	3-22
3.14	REMOTE INDICATORS .....	3-23
	3.14.1 Status Indicator Drivers .....	3-23
	3.14.2 Mode Indicator Functions .....	3-25
3.15	REMOTE RESET .....	3-26
3.16	REMOTE VOLTAGE AND CURRENT MONITOR .....	3-28

<b>SECTION 4</b>	<b>THEORY OF OPERATION</b>	<b>Page</b>
4.1	GENERAL .....	4-1
4.2	TRANSFORMER/THYRISTOR CIRCUIT .....	4-1
4.3	TIMING CIRCUIT .....	4-4
4.4	CROSSOVER CIRCUIT (ZERO CROSS CIRCUIT) .....	4-7
4.5	CONTROL LOOP .....	4-9
4.6	VIRTUAL GROUND .....	4-9
4.7	AC TURN ON .....	4-11
4.8	REFERENCE VOLTAGES TO CONTROL THE OUTPUTS .....	4-13
4.9	OVERVOLTAGE PROTECTION .....	4-13
4.10	SLOW START .....	4-14
4.11	CEASE/INHIBIT .....	4-14
4.12	METER DRIVE CIRCUIT .....	4-18
<b>SECTION 5</b>	<b>MAINTENANCE</b>	
5.1	GENERAL .....	5-1
5.2	PERIODIC SERVICING .....	5-1
5.3	TROUBLESHOOTING .....	5-1
5.4	CALIBRATION .....	5-1
	5.4.1 Voltage Mode .....	5-1
	5.4.2 Current Mode .....	5-2
5.5	PERFORMANCE TESTING .....	5-3
	5.5.1 Voltage Mode Regulation and Ripple .....	5-3
	5.5.2 Current Mode Regulation .....	5-3
5.6	HI-POT TEST PROCEDURES .....	5-4
5.7	RIPPLE ADJUSTMENTS .....	5-5
	5.7.1 Steps to Adjust Ripple .....	5-5

**SECTION 6**

**DRAWINGS AND PARTS LISTS**

**Page**

**6.1**

**GENERAL ..... 6-1**

## LIST OF ILLUSTRATIONS

<u>Figure</u>	<u>Title</u>	<u>Page</u>
3.1	Typical Controls and Indicators.....	3-2
3.2	Rear Panel Terminals and Connections .....	3-3
3.3	Local Sensing Configuration .....	3-4
3.4	Remote Sensing Configuration .....	3-10
3.5	External Resistance Programming .....	3-12
3.6	External OVP Resistance Programming .....	3-14
3.7	External Signal Programming .....	3-15
3.8	External OVP Signal Programming .....	3-17
3.9	Parrallel Operation .....	3-19
3.10	Series Operation .....	3-21
3.11	Remote Shutdown .....	3-22
3.12	Remote Status Indicators .....	3-24
3.13	Remote LED Mode Indicators .....	3-25
3.14	Mode Flag .....	3-26
3.15	Remote Reset .....	3-27
3.16	Remote Voltage and Current Monitoring .....	3-28
4.1	Power Amplifier Circuit .....	4-2
4.2	Block Diagram .....	4-2
4.3	SineWaves/Power Voltage Phases .....	4-3
4.4	Timing Ramp .....	4-5
4.5	Control Signal .....	4-5
4.6	Error Detection Circuit Schematic .....	4-6
4.7	Crossover Circuit Partial Schematic .....	4-6
4.8	Control Loop Schematic.....	4-8
4.9	AC Power Control Schematic.....	4-10
4.10	Variable Reference Schematic .....	4-12
4.11	OVP Control Schematic .....	4-15
4.12	Slow Start Circuit Schematic .....	4-16
4.13	Cease/Inhibit Schematic.....	4-17
4.14	DCR-T Meter Drive Circuit .....	4-19
1061358	Schematic, Wiring .....	6-2
1061359	Schematic, Wiring .....	6-3

## LIST OF ILLUSTRATIONS

<u>Figure</u>	<u>Title</u>	<u>Page</u>
1061392	Schematic, Wiring .....	6-4
1059792	Control Board .....	6-12
1059794	Schematic, Control Board .....	6-13
1060138	Phase Loss Detection .....	6-18
1059062	Crossover PCB .....	6-20
1059064	Schematic, Crossover PCB .....	6-21
1059076	Schematic, Trigger Circuit PCB .....	6-22
1059074	Trigger Circuit PCB .....	6-24
1059306	Schematic, Compensation Network PCB .....	6-26
1059744	Power Indicator, PCB .....	6-28
1059748	Volt Current Set PCB .....	6-28
1059746	FP2 PCB .....	6-29
1060166	Digital Meter PCB .....	6-30
1060289	Range PCB .....	6-31



## LIST OF TABLES

<u>Table</u>	<u>Title</u>	<u>Page</u>
1.1	Specifications .....	1-4
3.1	Controls and Indicators .....	3-1
5.1	DCR-T Troubleshooting .....	5-2

# SECTION 1 INTRODUCTION

## 1.1 INTRODUCTION

This manual contains operation and maintenance data on the 5 kilowatt (5KW) units of the DCR-T Series Sorensen Power Supplies. It is intended to familiarize the user with the function of the unit, to introduce the varied applications to which the unit may be adapted, and to furnish sufficient maintenance data to assure long operating life.

Six major sections form the manual divisions. Section 1 contains a brief functional description of the DCR-T series power supplies along with complete unit specifications. Initial inspection and checkout procedures are outlined in Section 2. Operating instructions, including methods for adapting units to various applications, comprise Section 3. Sections 4 and 5 provide the principles of operation and maintenance procedures respectively. System drawings and the replacement parts list are included in Section 6.

## 1.2 DESCRIPTION

### 1.2.1 General

The DCR-T series is designed for either rack or floor mounting, and to provide stable, highly regulated dc outputs from a wide range of three phase input voltages and frequencies. (For complete unit specifications refer to Table 1-1.) The series exhibits excellent transient response and low ripple in both voltage regulating and current limiting modes. Other design features include: provisions for remote programming, remote sensing, and series and parallel operation. Increased versatility is also provided by the use of an industrial control technique for main power disconnect and line protection. This feature facilitates the remote control of the line power to the supply.

A variety of Sorensen power supply application notes are available through your Sorensen Service Representative. These notes detail many hook-up configurations available to meet most power supply applications.

### 1.2.2 Automatic Crossover

There are two basic operating modes: voltage and current. In the voltage mode, the voltage is held constant while the current varies with the load. In the current mode, the voltage varies and current is held constant. The automatic crossover feature enables the unit to switch operating modes as a function of load requirements. If, for example, load currents attempt to increase above a preset current limit, the unit will switch

operation automatically from the voltage to the current mode. In this mode, the current will be regulated at the value preset on the front panel. If load requirements are lowered, a return to the voltage regulating mode will occur automatically.

### **1.2.3 Remote Sensing**

Terminals located on the rear-mounted connector (J-2) offer a means of extending a unit's regulating point from the output terminals to the load. This effectively compensates for variations in the load lead voltage drop. Section 3 outlines the connections for remote sensing.

### **1.2.4 Series Operation**

For applications requiring output voltages higher than a single unit can provide, DCR-T power supplies may be connected in series (see Section 3). Regulation in series operation is the sum of the regulations for all units.

### **1.2.5 Parallel Operation**

Parallel operation may be used to service those applications requiring an output current higher than a single unit can provide. DCR-T power supplies may be direct paralleled with no limit to the number of units which can be paralleled. However, the regulation will deteriorate, and will be the sum of the regulations for the individual settings plus the output voltage differences between units at no load.

### **1.2.6 Remote Programming**

Output voltage or current of DCR-T power supplies may be remotely programmed in either the voltage or current mode by resistance or voltage signal. Details and consideration are given in Section 3.

### **1.2.7 Failure Protection**

In addition to the constant limiting protection provided by automatic crossover and the current regulator, the DCR-T power supply incorporates several other protection systems. Loss of one input phase drops the output to zero and energizes an indicator lamp on the control panel. Thermal overload, usually resulting from a cooling fan failure, will also drop the output to zero and energize an indicator lamp on the front panel. In the event of an overvoltage condition at the output, such as a failure in the power supply or an externally induced condition, the adjustable overvoltage protection (OVP) will drop the output to zero and disconnect the AC power from the main power components. Protection against the effects of overloads and internal short circuits is also provided.

The main power components are protected by a thermal overload relay working in conjunction with a contactor to provide mechanical disconnect of the AC line to the main power components. (See Section 2 for complete input wiring requirements.) Control circuitry is protected by rear mounted fuses and an internal fuse.

### **1.3 OPTIONAL MODIFICATIONS**

#### **1.3.1 Chassis Slide Kit**

The sides of the DCR-T have inserts which allow attachment of slide rails. Consult the factory for information on this optional Chassis Slide Kit.

### **1.4 SPECIFICATIONS**

See Table 1-1 for complete specifications on the DCR-T 5KW series power supply.

Table 1-1 Specifications

DCR-T SPECIFICATIONS  
5K WATT SERIES

DCR-T Model	OUTPUT POWER			Regulation Line & Load			Constant Voltage Mode			Temp. Coeff. Voltage mV/°C	Voltage Drift % Eo Max. (Typ.)	Programming Constants Voltage Mode	
	Voltage (Vdc)	Current (A dc)		mV <sup>1</sup>	Ripple (PARD)		Resolution	Transient Response Time ms (Typ.)	Ohms/V			V/V	
		50°C	60°C		70°C	mV rms							P-P
4-800T1	0-4	800	680	440	2-4	30	100	Note 4	40	1.0	.05	2500	Note 4
8-400T1	0-8	400	340	220	4-8	30	100	Note 4	40	2.0	.05	1250	Note 4
16-310T1	0-16	310	266	188	8-16	30	100	Note 4	40	3.2	.05	625	Note 4
32-155T1	0-32	155	132	93	16-32	20	120	Note 4	40	6.4	.05	313	Note 4
55-90T1	0-55	90	74	54	27-55	20	120	Note 4	40	11.0	.05	182	Note 4
80-62T1	0-80	62	54	37	40-80	20	120	Note 4	40	16.0	.05	125	Note 4
110-45T1	0-110	45	38	27	55-110	40	140	Note 4	40	22.0	.05	91	Note 4
160-30T1	0-160	30	27	18	80-160	60	180	Note 4	40	32.0	.05	63	Note 4
300-16T1	0-300	16	14	10	150-300	100	300	Note 4	40	60.0	.05	33	Note 4
600-8T1	0-600	8	7	4.8	300-600	150	600	Note 4	40	120.0	.05	17	Note 4

NOTE 1: Regulation range as stated 0.1% of voltage or current, or stated range, whichever is greater.

NOTE 2: Line current at min. line voltage.

NOTE 3: Efficiency taken at max. power out and nominal ac volts input.

NOTE 4: Contact factory.

COMMON SPECIFICATIONS

DC OUTPUT CONSTANT VOLTAGE MODE:

Voltage Regulation: Line Load combined: All models 0.1% of the voltage setting or specification in table, whichever is greater.

Temperature Coefficient: 0.2%/°C of Eo max.

Voltage Signal Programming: 100 mV per 1% of rated output. (0-10V for 0-100% of rated output.)

Resistive Programming: 100 ohms per 1% of rated output. (0-10) k ohms for 0-100% of rated output.)

Stability: 0.1% Eo max. for 8 hours after 30 minute warm up with fixed line, load and temperature.

Remote Sensing: 3 to 10V max. drop + line. 0.75V max. drop - line.

Transient Response: 40 ms (typical) to return to ± 1% band for a step load change of 50% to 100% or 100% to 50% of full load.

INPUT:

T1 - 208 Vac ± 10% @ 60Hz.

T2 - 380 Vac ± 10% @ 50Hz.

T3 - 405 Vac ± 10% @ 50Hz.

T4 - 440 Vac ± 10% @ 60Hz.

T5 - 480 Vac ± 10% @ 60Hz.

OPERATING DATA:

Efficiency: 60% to 80% of full rated output depending on model.  
Series Operation: 200 Vdc maximum; consult factory for series operation of more than 2 units.

Parallel Operation: Direct paralleling of any number of units.  
Overvoltage Protection: Standard.

Ambient Operating Temperature Range: 0 to 70°C.

Storage Temperature Range: -45°C to +70°C.

Cooling: Forced Air.

DCR-T SPECIFICATIONS  
5KW SERIES

DCR-T Model	Constant Current Mode		Temp. Coeff. Current mV/°C	Current Drift % Eo Max. (Typ.)	Programming Constants Current Mode	Standard Input Power (3 phase, 60 ± 1 Hz)		Power Factor (Typ.)	Efficiency <sup>1</sup> %	Case Size				
	Regulation mA <sup>1</sup>	Ripple (PARD) mA rms				Resolution (Typ.)	Ohms/V				V/V	Voltage Vac	Current Aac (Max.) <sup>2</sup>	Lead
4-800T1	400-900	3000	Note 4	320	.05	Note 4	12.5	Note 4	187-229	26.0	.9	.2	50	II
8-400T1	200-450	3000	Note 4	200	.05	Note 4	25.0	Note 4	187-229	Note 4	.9	.2	Note 4	II
16-310T1	155-310	1500	Note 4	200	.05	Note 4	32.0	Note 4	187-229	Note 4	.9	.2	Note 4	II
32-155T1	80-155	1000	Note 4	100	.05	Note 4	64.0	Note 4	187-229	Note 4	.9	.2	Note 4	II
55-90T1	48-90	600	Note 4	58	.05	Note 4	111.0	Note 4	187-229	Note 4	.9	.2	Note 4	II
80-62T1	30-62	600	Note 4	40	.05	Note 4	161.0	Note 4	187-229	Note 4	.9	.2	Note 4	II
110-45T1	22-45	500	Note 4	29	.05	Note 4	222.0	Note 4	187-229	Note 4	.9	.2	Note 4	II
160-30T1	15-30	330	Note 4	20	.05	Note 4	333.0	Note 4	187-229	Note 4	.9	.2	Note 4	II
300-16T1	8-16	200	Note 4	10	.05	Note 4	625.0	Note 4	187-229	Note 4	.9	.2	Note 4	II
600-8T1	4-8	100	Note 4	5	.05	Note 4	1250.0	Note 4	187-229	Note 4	.9	.2	Note 4	II

NOTE 1: Regulation range is 0.1% of voltage or current, or stated range, whichever is greater.

NOTE 2: Line current at min. line voltage.

NOTE 3: Efficiency taken at max. power out and nominal ac volts input.

NOTE 4: Contact factory.

COMMON SPECIFICATIONS

CONSTANT CURRENT MODE:

Current Regulation: Line and load combined: All models 0.1% Io max. of the output current setting or specification in table, whichever is greater.  
Temperature Coefficient: 0.04%/°C of Io max.

Current Signal Programming: 100 mV per 1% of rated output.  
(0-10V for 0-100% of rated output.)

Resistive Programming: 100 ohms per 1% of rated output. (0-10 kohms for 0-100% of rated load.)

Stability: 0.2% Io max. for 8 hours after 30 minute warm up with fixed line, load and temperature.

DCR-T ACCESSORIES:

Chassis Sildes: Part No. 1060247-1 (Optional).

Digital Programmer: Available for all models in DCR-T Series. IEEE-488

Interface to GPIB Bus. Order Model 488 MICRO-DAP.

OPTIONAL EQUIPMENT:

OVP: OVP shutdown is standard.

Option: SCR crowbar M5.

METERING:

Digital: Standard

Analog: add M52

DCR-T INPUT VOLTAGE	
T1	208V 60HZ STD. U.S. VOLTAGE
T2	380V 50HZ STD. CONTINENTAL EUROPE VOLTAGE
T3	415V 50HZ STD. BRITISH ISLES VOLTAGE
T5	480V 60HZ STD. U.S. VOLTAGE

CASE SIZE	DIMENSIONS IN. (mm)		WEIGHT lb. (kg)
	HEIGHT	WIDTH LENGTH	
II	8.75(222.3)	19(492.6)	185(407)
III	12.25(311.2)	19(482.6)	310(682)

## SECTION 2 INSTALLATION

### 2.1 GENERAL

After unpacking, general inspection and preliminary checkout procedures should be performed to assure that the unit is in proper working order. These consist of visually checking for damage, and performing an electrical check. If it is determined that the unit has been damaged, the carrier should be notified immediately. Repair problems should be directed to Sorensen. (1-800-458-4258)

### 2.2 INSPECTION

Proceed as follows to inspect for damage incurred during shipment:

- A. Check meter faces for cracked or broken glass. Check each meter for zero indication. Use zero adjust to bring indicator to zero, if necessary. Zero set is inside of the unit on the rear of the meter.
- B. Look for cracked or broken lenses on the indicator lights.
- C. Rotate the VOLTAGE and CURRENT potentiometers.
- D. Remove the top cover and check to make sure that all printed circuit card plugs are firmly in place.
- E. Remove the front panel (if already in place) and check that the controls and card plugs are firmly in place.
- F. Check remote plug (P1) to insure that the remote AC control jumpers are in place.

If any optional equipment (refer to Section 1.3) has been purchased with the unit, assure that all parts are accounted for and that no damage has occurred in shipment. (Optional parts are normally shipped loose in the packaging carton.)

### 2.3 OPTIONAL EQUIPMENT INSTALLATION

The unit is shipped in ready to use condition. If optional accessories have been purchased, however, they must be installed at destination. The following sections detail the installation of optional equipment.

### 2.3.1 Chassis Slide Kit

Extend the Slide Rail and mount the rail to the DCR-T side panel inserts (4 each) with the #10-32 screws provided. Note that all but one of the mounting holes are accessible when the slide rail is fully extended. Close the inner portion of the rail approximately halfway to access the remaining mounting hole. Make certain that all four mounting inserts are used.

## 2.4 MECHANICAL INSTALLATION

The DCR-T series power supply is shipped ready for floor or bench use. If the unit is to be rack mounted, the eye hooks on the top and the feet on the bottom must be removed. If chassis slides are used, they should be attached to the unit prior to mounting in the rack. To access the rack mounting flanges used for bolting the unit into the rack, remove the four allen-head screws and the front cover plate. Re-attachment of the front cover plate after rack mounting will hide the mounting hardware and give an attractive flush look to the installation. As these power supplies have a relatively large mass, they should be mounted at or near the bottom of the rack.

## 2.5 GENERAL PRECAUTIONS

---

### WARNING

This unit requires a 3 pole, wall-mounted, fused disconnect switch with the proper current limiting fuse for safe operation.

DO NOT turn on the wall switch until AC and DC wires are attached to the DCR-T unit.

Accidental shorts or hand contact inside the DCR-T can cause burns or electrical shock.

---

All DCR-T units must be hard-wired for fixed installation. The following precautions should be taken when connecting power supplies to an AC main.

### 2.5.1 AC Line Protection

All Sorensen power supplies are designed with a mechanical disconnect and overload protection. The components most often used are circuit breakers or fused switches. With the DCR-T series, Sorensen has introduced a system of mechanical disconnect for ac protection which has been used for years in industrial controls. All Sorensen power supplies, including the DCR-T, require careful coordination of the AC mains connections with the AC line protection system within the unit. This will insure not only that a AC fault will be cleared, but that the AC line protection system will not be damaged by the fault.



The following components are required for a complete AC line protection system:

MAIN DISCONNECT SWITCH - Customer-installed 3 pole, wall-mounted fused disconnect switch. The main disconnect switch mechanically removes the AC lead wires and the unit from the AC mains.

MAINS SHORT CIRCUIT PROTECTION - Customer-installed main short circuit protection (usually a fuse). The ratings of the short circuit protection should be large enough to handle the units attached. The let-through current of the short circuit protection shall be below the lowest ratings of any one unit attached and below the rating of the unit lead-in wire.

UNIT AC OVERLOAD PROTECTION - Included in all Sorensen power supplies. Mechanically connects and disconnects as much of the wiring within the unit as is possible. Prevents the AC line (from the main AC disconnect to the unit) from causing damage within the unit should a fault occur. Acts as a safety feature preventing shock or burns due to a possible fault within the unit.

The following table specifies the maximum fault current which Sorensen three phase power supplies can safely clear. Use this table to size current limiting fuses for these supplies.

<u>UNIT</u>	<u>MAX. LET-THRU CURRENT</u>
DCR-T-5KW	2500 AMPS

## 2.6 ELECTRICAL INSTALLATION

---

### CAUTION

Read wiring WARNING on page 2-2 before starting wiring. Unit is phase sensitive. Test input phase per para. 2.7.

---

Follow these steps in wiring:

1. Check phase rotation at the main disconnect switch (see Section 2.5). Mark terminals 2 - 3 - 4 to correspond to line A, line B and line C, respectively.

2. Identify the proper safety ground at the wall switch. (The neutral and/or a separate ground may be provided. Check the power company and local codes for a proper connection.)
3. Label four wires for the input connection. Wires 2 - 3 - 4 are connected to the three phase terminals, and wire 1 is connected to the safety ground terminal.
4. Connect the 4 wires to the DCR-T ac input terminals which are marked GND-ØA-ØB-ØC.

---

### IMPORTANT SAFETY PRECAUTION

Wire 1 must be connected to the CHASSIS GROUND terminal to provide a ground for the DCR-T chassis frame.

---

5. Connect the two dc output wires. Label these wires (+) and (-).

### 2.7 PHASE ROTATION CHECK

The DCR-T is a phase rotation sensitive unit. To check rotation, proceed as follows:

- A. Connect unit as indicated in paragraph 2.6.
- B. Turn CURRENT and VOLTAGE control pots fully counterclockwise (zero out).
- C. Turn ON/OFF switch to STAND-BY.
- D. Press START button.
- E. If unit makes sharp noises and voltmeter jumps, two lines are probably reversed. Reverse any two AC input lines.

## 2.8 INITIAL CHECKOUT

### 2.8.1 Voltage Mode

To perform a check of voltage mode operation, proceed as follows:

- A. Assure that proper input connections have been made. Refer to Section 2.5, 2.6 and 2.7.
- B. Turn VOLTAGE and CURRENT controls fully counterclockwise.

---

#### NOTE

See Figure 3-1 for location of controls and indicators.

---

- C. Set ON/OFF switch to STAND-BY mode. Amber STAND-BY lamp will be illuminated.
- D. Press START button, note sound of fan. Green ON lamp will be illuminated.
- E. Turn VOLTAGE and CURRENT control slowly clockwise and observe the unit voltmeter. The pointer should move upscale.
- F. Press STOP button. Unit will return to the STAND-BY mode.

### 2.8.2 Current Mode

To check operation of the unit in the current mode, proceed as follows:

- A. Turn VOLTAGE and CURRENT controls fully counterclockwise.
- B. Connect a heavy gauge wire across the output terminals. One of the intended output leads is recommended for this purpose.
- C. Set ON/OFF switch to STAND-BY. Amber STAND-BY light will be illuminated.
- D. Press START button, note sound of fan. Green ON lamp will be illuminated.

- E. Rotate VOLTAGE control about 30° from the left hand stop and observe output meters. Both should be zero.
- F. In small increments, raise CURRENT control while observing the ammeter. If current does not increase, rotate the VOLTAGE adjustment another 30°.
- G. Press STOP button. Unit will return to the STAND-BY mode.
- H. Remove shorting wire from the output terminals.

## SECTION 3 OPERATION

### 3.1 GENERAL

This section provides a tabular listing of the unit's controls and indicators along with a brief description of their function. Physical location of the controls and indicators is shown in Figure 3.1. The physical location of the rear panel terminals and connectors is shown in Figure 3.2.

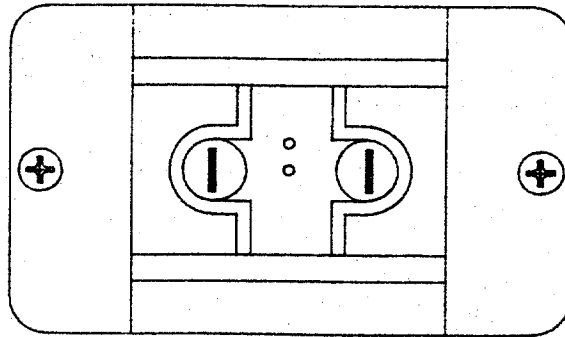
**Table 3.1 CONTROLS AND INDICATORS.**

Control/ Indicator	Function
On/Off Switch	Energizes control circuitry and provides power for contactor disconnect. Puts unit in Stand-By.
Stand-By Lamp	Indicates unit is in Stand-By.
STOP Button	Causes contactor to be pulled in. Contactor is held energized through the STOP button, the overload auxiliary contacts, the contactor auxiliary contact, and a fuse.
ON Lamp	Indicates Main Power ON.
Phase Indicator	Indicates loss of an ac line.
Thermal Indicator	Indicates an overtemperature condition.
OVP Indicator	Indicates that the OVP has activated.
Reset Button	Brings output to zero. Resets the unit after OVP or thermal shutdown without recycling.
OVP Adjust Button	OVP Adjustment control.
REM Indicator	Indicates unit is in remote operation. ON when in remote operation. Flashes if a remote line is open.
Voltage Control	Multi-turn pot to set output voltage.
Volt Mode Indicator	Indicates when unit is in the voltage regulating mode.
Current Control	Multi-turn pot to set output current.
Current Mode Indicator	Indicates when unit is in the current regulating mode.
Unit Ammeter	An ammeter connected to a shunt in the negative leg of the unit output. Indicates output current.



5 kW Model

Figure 3.1 Typical Controls and Indicators



- +

OUTPUT TERMINAL CONFIGURATION  
(300 & 600 VOLT UNITS)

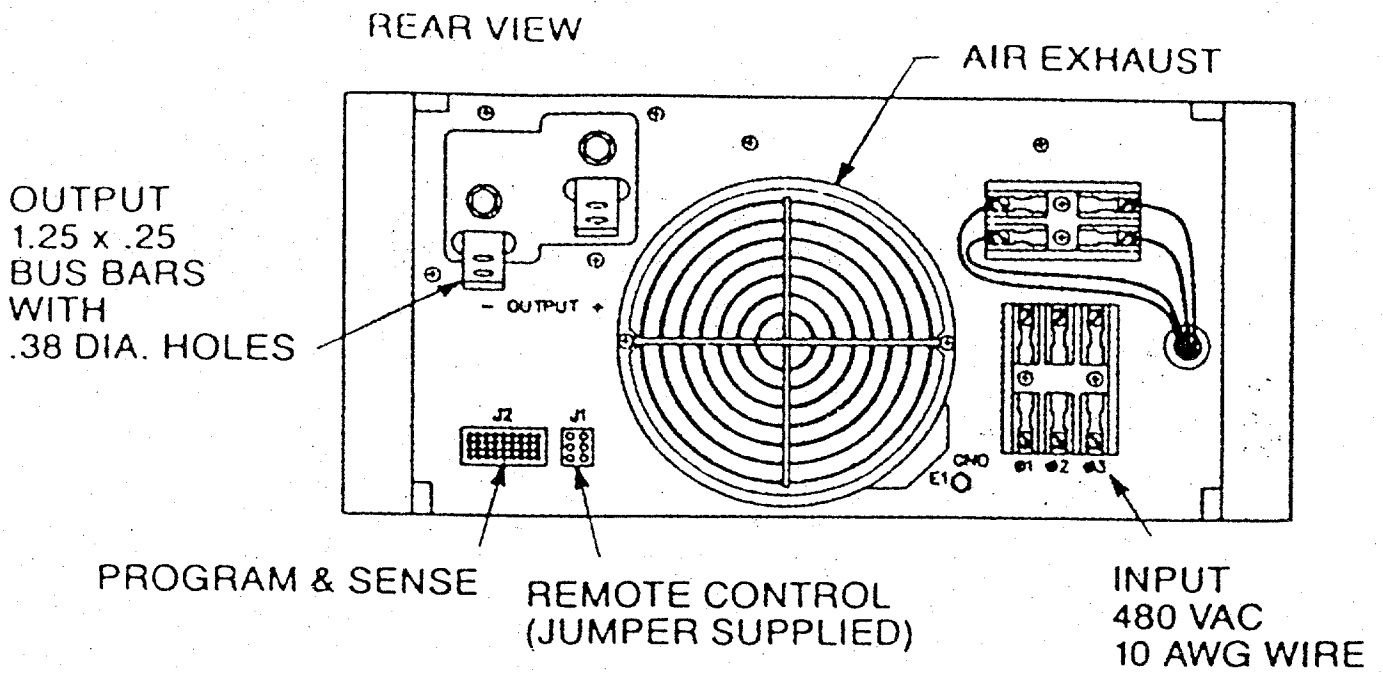


Figure 3.2 Rear Panel Terminals and Connectors

This section also provides instructions for adapting the supplies to many of their varied applications. Included are procedures to be followed for conversion to: remote sensing operation; voltage, current and programming modes; and series and parallel operation. Also included are procedures for use of the various remote control and remote indicator features of the power supply.

---

### NOTE

Throughout the following discussion, voltage and current levels will be expressed in percentages of full scale label values. This is necessary due to the large variety of outputs available in the DCRT Series. Full scale label values are determined by the model number, (e.g.) DCR16-310T1 is 16 volts and 310 Amps full scale, DCR55-90T1 is 55 volts and 90 Amps, etc.

---

### 3.2 LOCAL SENSING

The supplies are shipped without the sense leads connected. The supplies are protected against open sense leads. To realize specified performance of the unit, however, the sense leads must be connected. Local sensing simply means that the sensing circuit is connected across the unit output terminals and not at the load. For applications where the voltage drop in the load wires is prohibitive, use remote sensing (paragraph 3.5). Figure 3.3 illustrates the local sensing configuration of remote connector (J-2). The mating connector housing, strain relief and connector pins are included with the DCRT unit. Connector pins will accept #18 through #24 AWG insulated wire.

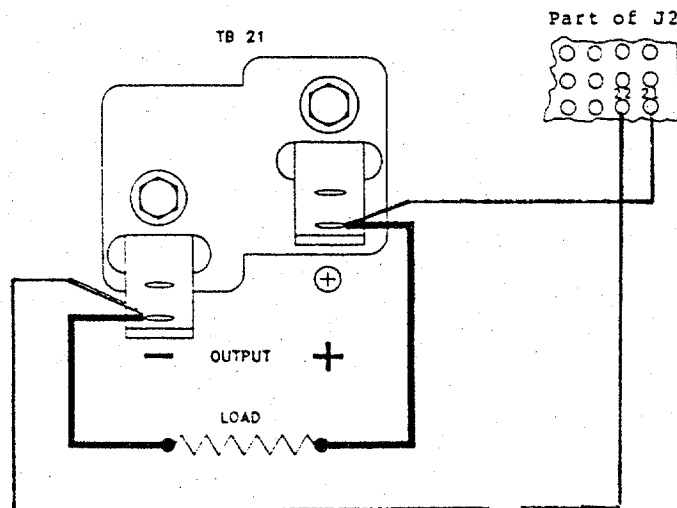


Figure 3.3 Local Sensing Configuration



### 3.3 VOLTAGE MODE

To put the unit in voltage mode operation, proceed as follows:

- A. Rotate the VOLTAGE and CURRENT control potentiometers fully counterclockwise.
- B. With the main disconnect switch OFF, connect the three phase input leads as indicated in Section 2.6
- C. Set ON/OFF switch to ON. Stand-By lamp should be illuminated.
- D. Press START button. ON lamp should illuminate.
- E. Rotate VOLTAGE control until the unit voltmeter indicates the desired output voltage.

---

#### NOTE

To prevent random firing of the SCR's, for voltage outputs below 5% of maximum rated output voltage, it is recommended that a bleeder resistor be connected across the output of sufficient value to draw approximately 10% of rated output current. For example, for a DCR16-310 below .8V use a bleeder to draw approximately a 31.0A load. This would be approximately .026 ohms (use a 100 watt rating).

- 
- F. Set ON/OFF switch to OFF, and set the main disconnect switch to OFF.
  - G. Connect load to the unit terminals on the rear of the unit.
  - H. Set CURRENT control to a value at least 10% above the actual load current.

---

#### NOTE

Regulation falls off if output current is within 10% of limiting value. Current mode indicator begins to glow when current output is within approximately 10% of limiting value.

---

- I. Set the Main Disconnect switch to ON and the ON/OFF switch to ON.
- J. Press START button. The ON lamp will light and the unit will be in voltage operation mode.

---

#### NOTE

With the unit in the voltage mode, an increase in load current requirements above the value set in step H will cause an automatic crossover to current mode (current limiting) operation.

---

### 3.4 CURRENT MODE

To operate the unit in current mode, proceed as follows:

- A. Rotate the VOLTAGE and CURRENT controls fully counterclockwise.
- B. With the Main Disconnect switch OFF, connect three phase input as indicated in Section 2.6
- C. Set ON/OFF switch to ON. Stand-By lamp should illuminate.
- D. Press START button. ON lamp should illuminate.
- E. Rotate VOLTAGE control until unit voltmeter indicates a level 10% above the desired dynamic voltage.

---

#### NOTE

Current regulation falls off if the dynamic (compliance) voltage is within 5% of the voltage limiting value.

---

- F. Set ON/OFF switch to OFF, and set the Main Disconnect switch to OFF.
- G. Connect load lines to unit output terminals on the rear of the unit.
- H. Set the Main Disconnect switch to ON and the ON/OFF switch to ON.
- I. Press START button. ON lamp will light, and the unit is in voltage mode operation.

- J. Turn CURRENT control to desired current regulating value. CURRENT MODE lamp will light and the unit is in current mode operation.

---

#### NOTE

If dynamic (compliance) voltage rises above limit set in step "E", the unit automatically crosses over to voltage mode operation. (Current mode light goes off.)

---

### 3.5 REMOTE SENSE

In the remote sensing mode, voltage regulation is at the load rather than at the unit output terminals, thus correcting for voltage drops in the load leads.

---

#### NOTE

A 10% of  $E_o$  maximum voltage drop lead is the maximum for which remote sensing will compensate. To avoid exceeding the rated maximum unit voltage, the maximum load voltage (as read on the panel voltmeter) must be less than the rated maximum by the sum total of the drops. Example: If each load line drops 3 volts, (6 volts total), then on a 55 volt rated unit, the DCR55-90T, the voltmeter reading must not exceed  $55 - 6 = 49$  volts.

---

To adapt a unit for remote sense operation, proceed as follows:

- A. Set unit ON/OFF switch to OFF and the Main Disconnect switch to OFF.
- B. Remove the local sense leads from both the output terminals and J2 mating connector, if already connected.
- C. Install the remote sense leads to plus and minus SENSE terminals in J2 using the J2 mating connector provided. Note which lead is connected to the plus terminal (remote sensing configuration is shown in Figure 3.4).

---

### NOTE

Use a twisted or shielded pair of wires for the remote sensing leads. Sensing current is approximately 1.0 mA.

---

- D. Connect the lead from the positive sense terminal to the positive load terminal, and connect the negative sense lead to the negative load terminal.
- E. Reset current limit per paragraph 3.3.
- F. If the unit is being placed on-line for the first time or is being returned to service following a maintenance check, etc., proceed as outlined in paragraph 3.3 or 3.4. Otherwise, set the Main Disconnect switch to ON, set the unit ON/OFF switch to ON and press the START button. POWER ON indicator light will illuminate and the unit supplies the load.

### 3.6 OVERVOLTAGE PROTECTION (OVP)

The OVP circuit protects the load by limiting the output voltage to a preset value. Load protection is accomplished by bringing the output current and voltage to zero and opening the contactor which brings the unit to a Stand-By mode when the preset OVP value is reached. The unit is shipped with the OVP factory set at 10 to 15% of the maximum output voltage.

To set the OVP at another value, proceed as follows:

---

### NOTE

To avoid nuisance tripping of the OVP circuit, the preset value should be set at 10% minimum above the operating output voltage.

---

- A. Set the unit for operation as outlined in paragraph 3.3 or 3.4.
- B. To read the OVP set value on the front panel voltmeter, simply press the OVP set switch.
- C. Set the desired OVP value using the front panel OVP Adjust Control while depressing the OVP set switch.
- D. At any time, the OVP set value may be read without affecting the normal operation of the unit.

### 3.7 RESET

The front panel RESET switch is used to clear those faults which latch the unit in the zero output state. These faults are: OVP shutdown, thermal shutdown and phase loss. The thermal indicator light will illuminate when the RESET is depressed and the unit output voltage and current will go to zero. When the RESET switch is released, the unit will soft start and return to the preset operating conditions.

To RESET the unit after a fault has occurred, proceed as follows:

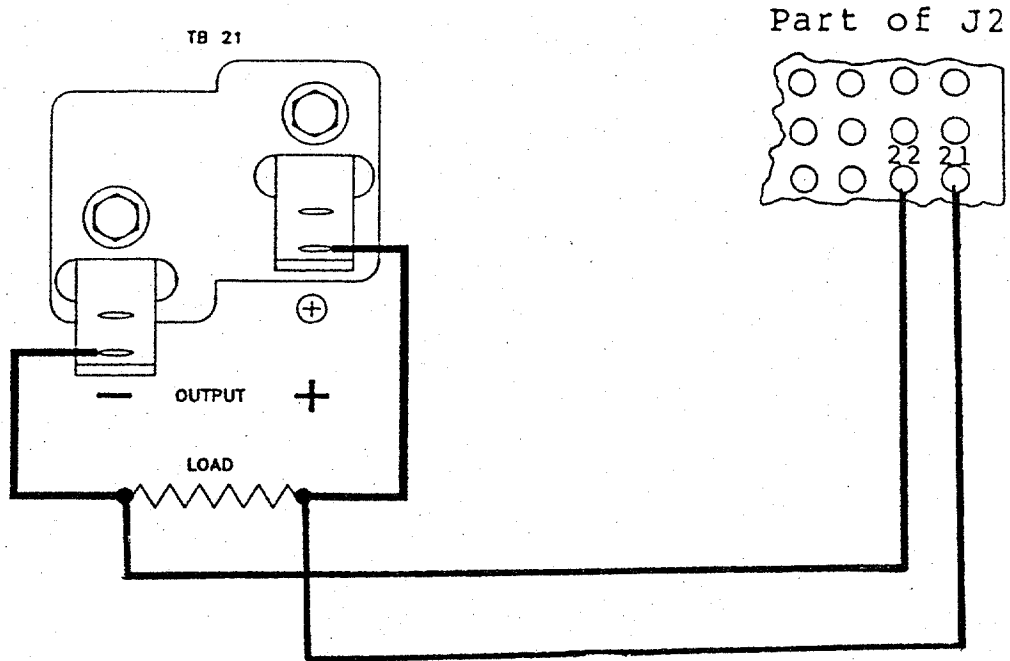
1. OVP SHUTDOWN: After an OVP fault, the unit will be in Stand-By mode and the OVP indicator lamp will be illuminated. Press the RESET switch. The OVP indicator lamp will go off, and the unit can be re-started by pressing the START switch.
2. THERMAL SHUTDOWN: Should the thermal shutdown circuit activate, check first to make sure the unit cooling fan is operating. Fan failure is the primary cause of a thermal shutdown fault. Allow approximately 10 minutes time with the cooling fan operating before resetting the unit. Press the RESET switch and release. The thermal indicator will go off and the unit output voltage and current will return to the preset operating conditions.
3. PHASE LOSS: The loss of one input phase line will latch the output voltage and current to zero. The unit can only be reset when the phase has been restored to the unit. When the lost phase has been restored, press and release the RESET switch. The PHASE indicator will go off and the unit output voltage and current will return to the preset operating conditions.

### 3.8 EXTERNAL RESISTANCE PROGRAMMING

The unit output voltage, current and OVP set points may be resistance-programmed remotely to a predetermined regulated value. Three 1 mA precision current sources are provided, one each for programming voltage, current and OVP set. External resistance programming is accomplished by connecting a resistance from the current source output to  $V_{GEN}$  (J2 pin 11).

External Resistance Programming Constants are:

- 10,000 Ohms for 100% Output Setting.
- 1,000 Ohms for 10% Output Setting.
- 100 Ohms for 1% Output Setting.



**Figure 3.4 Remote Sensing Configuration**

---

**NOTE**

When unit is set for external programming, both voltage and current settings must be externally programmed. Both front panel output adjustment controls are disabled. If either programming line is open, the unit output will go to zero and the front panel Remote Indicator Lamp will flash. The OVP is unaffected.

---

### 3.8.1 Voltage and Current Mode

Remote programming sensitivity varies according to the full scale voltage and current output of the unit. Table 1-1 lists the proper ohms/volt and ohms/amp for each model. For example, a DCR32-310T has a 32 volt full scale output. The ohms/volt sensitivity from Table 1-1 is 313 ohms/volt. For a certain voltage output, therefore, the voltage value to be programmed must be multiplied by the ohms per volt sensitivity to arrive at the correct value for programming resistance.

Example for programming a 25 volt output from a 32 volt full scale unit:  $(25) \times (313 \text{ ohms}) = (7825 \text{ ohms})$

Current output programming is accomplished in the same manner. For example, the DCR32-310T has a 310 Amp full scale output. The ohms/amp sensitivity from Table 1-1 is 32 ohms/amp.

Example for programming a 300 amp output:  $(300) \times (32 \text{ ohms}) = (9600 \text{ ohms})$

---

#### NOTE

The resistor used should have a low temperature coefficient ( $\pm 30$  PPM) to maintain the units rated temperature characteristics as well as stability. Programming current is about 1 mA. Use a 1% resistor with a wattage rating of 1/8W or larger.

---

To adapt the unit to external resistance programming, proceed as follows:

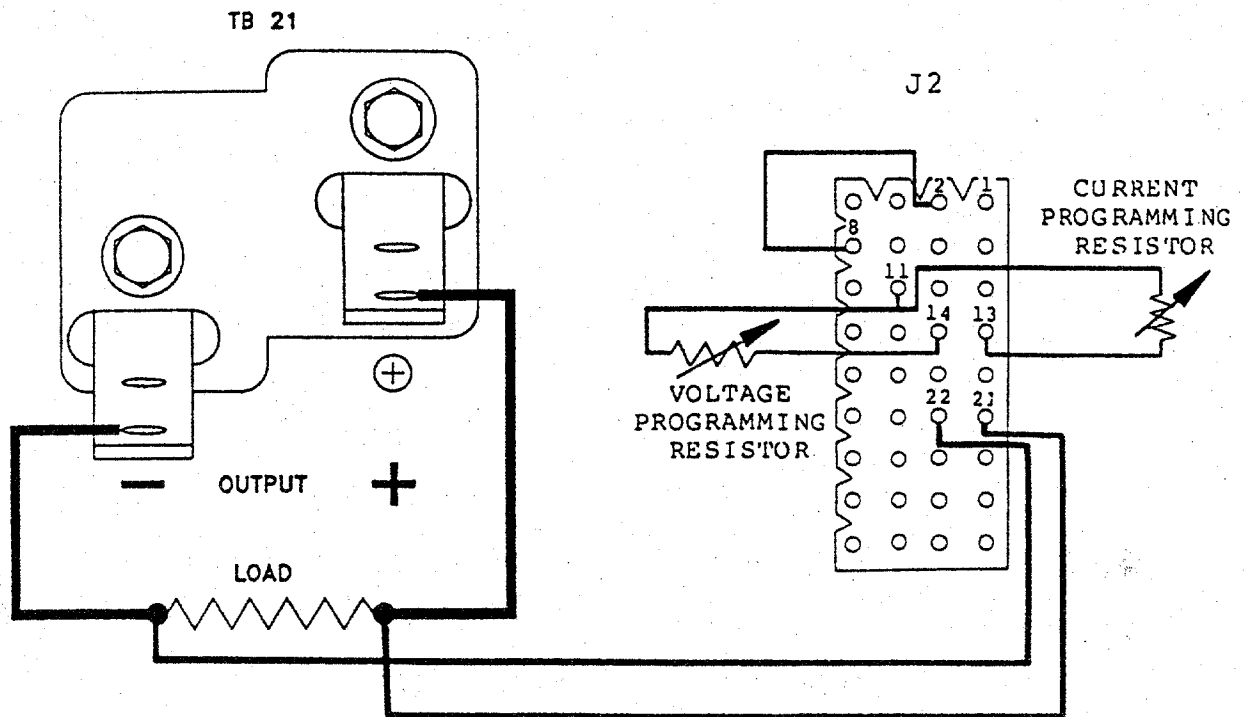
- A. Set unit ON/OFF switch to OFF and Main Disconnect switch to OFF.
- B. Connect jumper wire from J2 pin 2 (Logic Ground) to J2 pin 8 (Remote/Local).
- C. Connect both voltage and current programming resistors. (See Figure 3.5 for diagram of programming connections.) The voltage programming resistor is connected from J2 pin 14 (Remote Voltage Set) to J2 pin 11 (Virtual Ground). The current programming resistor is connected from J2 pin 13 (Remote Current Set) to J2 pin 11.
- D. Set the Main Disconnect switch to ON and set the ON/OFF switch to ON. The Remote Indicator Lamp on the front panel will illuminate. Press the START button. The unit will regulate to the values set by the external programming resistors.

---

**NOTE**

If remote programming is to be discontinued, remove the programming device, and disconnect the jumper from J2 pin 2 to J2 pin 8.

---



**Figure 3.5 External Resistance Programming  
(Without Remote Sense)**

### 3.8.2 OVP Set

The unit OVP Trip Point may be externally resistance programmed. This would be desirable in those applications where one or more OVP Trip Points are required (different than the front panel OVP Trip Set adjustment).

---

**NOTE**

External OVP set programming is independent of external voltage and current mode programming. The jumper from J2 pin 2 to J2 pin 8 is not required to remote program the OVP Trip Set Point.

---



Example for setting the OVP Trip Set point to 8 volts on a DCR16-625T:

To determine the External Programming resistor value, proceed as follows:

- A. First, determine OVP Trip Voltage needed for Section B.  
Note: 0-10 volts corresponds to the 0 to full scale output of the unit to be programmed.

$$\frac{8 \text{ volts}}{16 \text{ volts full scale}} \times 10\text{V (full scale programming voltage)} = 5 \text{ volts}$$

- B. To determine the value of the program resistor, use a voltage from 0 to 10 volts, calculated above, in the following formula:

$$R_p = \frac{(X \text{ volts}) (10,909)}{10,909 - (X \text{ volts})} = \frac{(5 \text{ volts}) (10,909)}{10,909 - (5 \text{ volts})} = 9,231 \text{ ohms}$$

This value (9,231 ohms) would externally program the 16 volt full scale unit OVP Trip Set Point to 8 volts.

To adapt the unit to external resistance programming of the OVP Trip Point, proceed as follows:

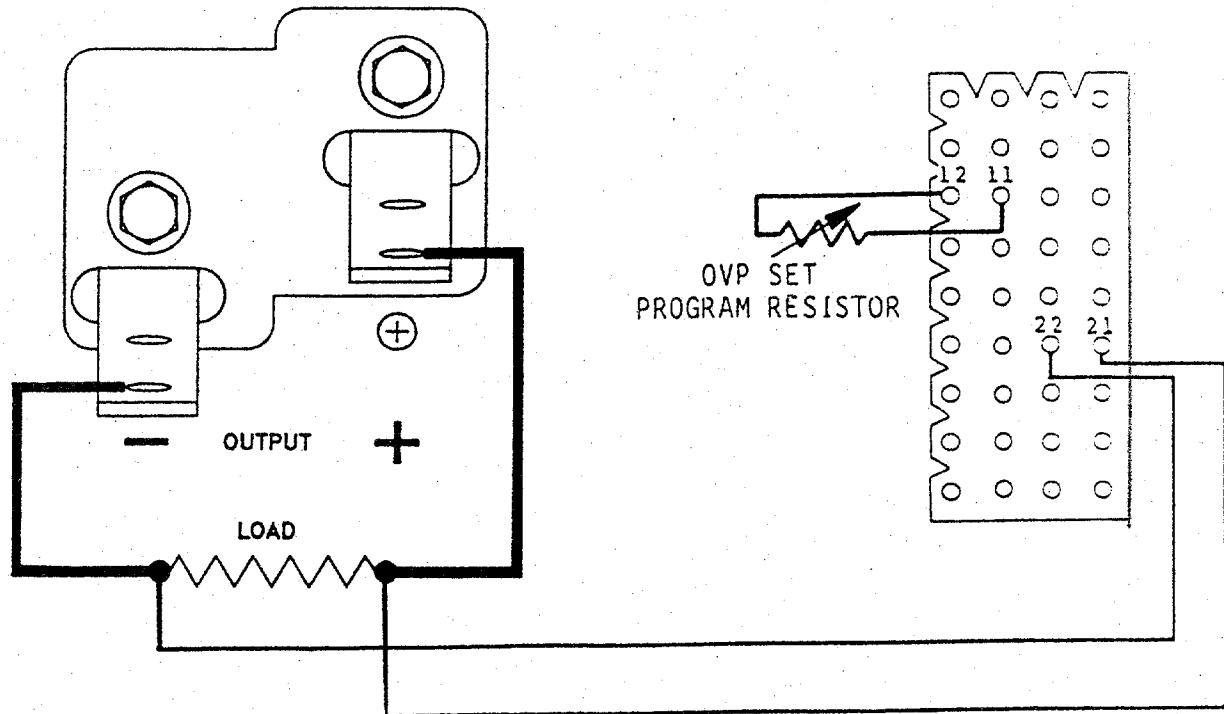
- A. Set unit ON/OFF switch to OFF and the Main Disconnect switch to OFF.  
B. Set the front panel OVP set adjustment fully clockwise.  
C. Connect the program resistor from J2 pin 12 (Remote OVP Set) to J2 pin 11 (Virtual Ground). See Figure 3.6 for diagram of OVP set programming connections.

---

#### NOTE

The remote programmed OVP set point may be read on the front panel voltage meter by depressing the OVP Set switch (see paragraph 3.6).

---



**Figure 3.6 External OVP Resistance Programming  
(With Remote Sense)**

### 3.9 EXTERNAL SIGNAL PROGRAMMING

The unit output voltage, current and OVP set point, may be externally programmed to provide a variable output as a function of an input voltage signal. This is done by introducing the external signal to the current source outputs provided for programming voltage, current, and OVP set.

External Signal Programming Constants are as follows:

- 10 volts for 100% Output Setting.
- 1 volt for 10% Output Setting.
- 0.1 volt for 1% Output Setting.

---

#### NOTE

When unit is set for external programming, both voltage and current settings must be externally programmed. Both front panel output adjustment controls are disabled. If either programming line is open, the unit will go to zero and the front panel remote indicator lamp will flash. The OVP is unaffected.

---

### 3.9.1 Voltage and Current Mode

Remote signal programming sensitivity is 0 to 10 volts for 0 to full scale output for all models in both voltage and current mode.

In selecting a signal source, the following should be considered:

1. The source must be capable of sinking approximately 1 mA (the Programming Current).
2. A floating (ungrounded) source must be used. All signal programming voltages will, however, have a common return.
3. To obtain a full scale voltage or current output range, the source provides a 0 to 10 volt signal.

To adapt the unit to external programming, follow the procedure as outlined in paragraph 3.6.1, with one exception.

**EXCEPTION:** When Step C calls for connection of a resistor across the programming terminals on J2, instead connect the signal source. See Figure 3.7 for connections and observe the program signal polarity.

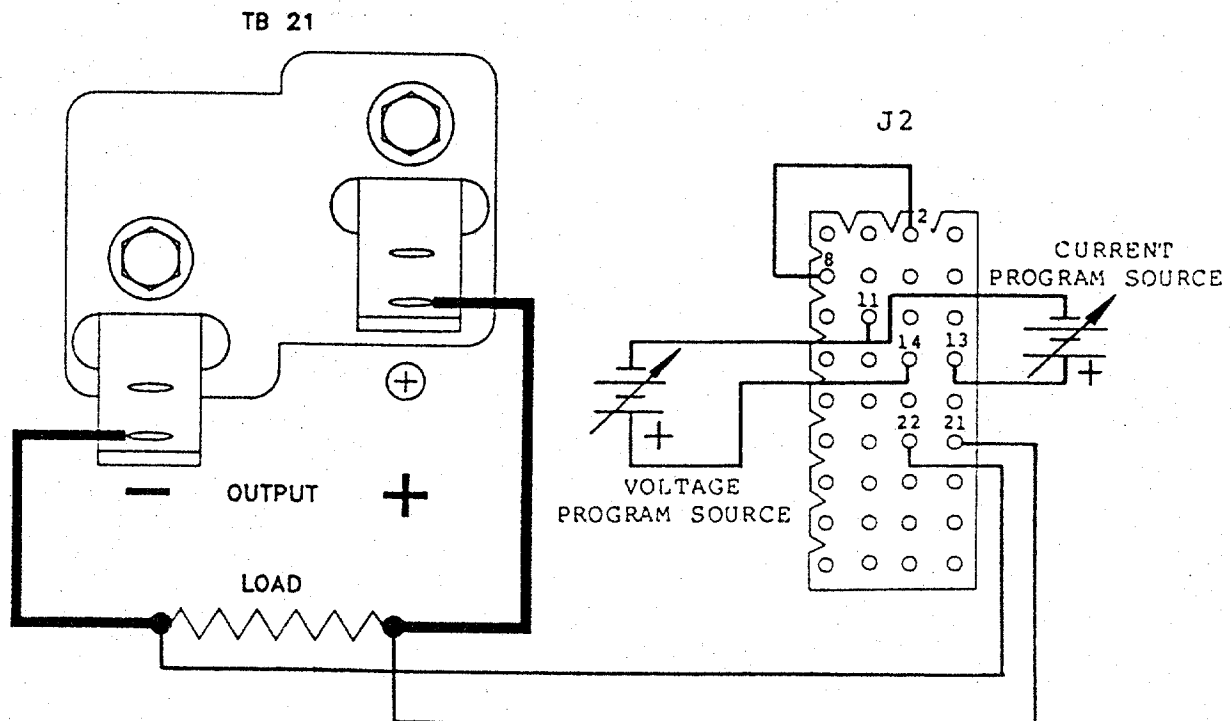


Figure 3.7 External Signal Programming  
(With Remote Sense)

### 3.9.2 OVP Set

The unit OVP Trip Point may be externally signal programmed. This would be desirable in those applications where one or more OVP Trip Points are required to be different from the OVP Trip Set Adjustment.

---

#### NOTE

External OVP Set programming is independent of external voltage and current mode programming. The jumper from J2 pin 2 to J2 pin 8 is not required to remote program the OVP Trip Set Point.

---

The OVP Trip Set signal programming sensitivity is 0 to full scale output for all models. The signal source requirements are the same as for the voltage and current mode signal programming source (see paragraph 3.7.1), with one exception.

EXCEPTION: The signal source value must go to 11 volts for applications where the unit is operating at Full Scale output. This allows the OVP Trip to be set to approximately 110% of the Full Scale output voltage to avoid nuisance tripping.

To adapt the unit to external signal programming of the OVP Trip point, follow the procedures outlined in paragraph 3.6.3, with one exception.

EXCEPTION: Where step C calls for connection of a resistor across the programming terminals of J2, connect the signal source instead. See Figure 3.8 for connections and observe the program signal polarity.

---

#### NOTE

The remote programming OVP set point may be read on the front panel voltage meter by depressing the OVP Set switch.

---

TB 21

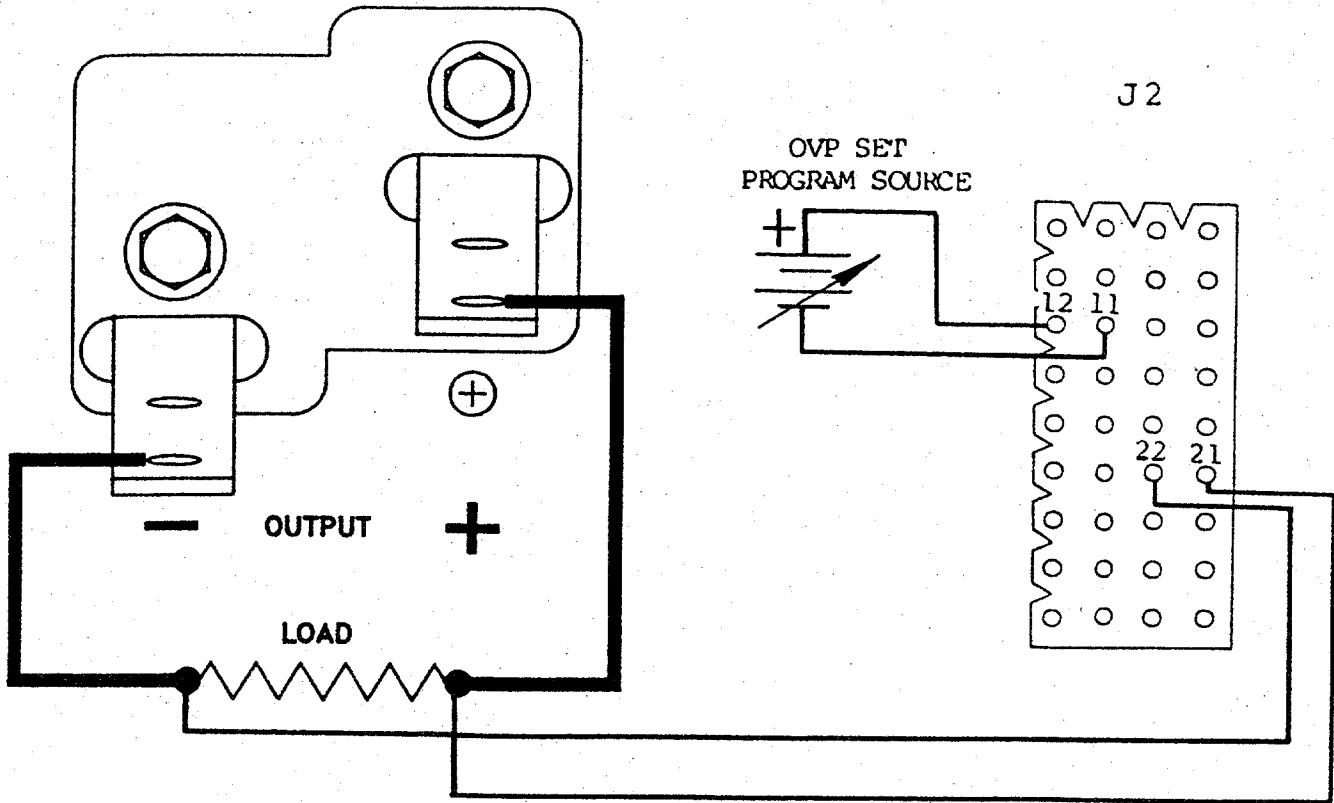


Figure 3.8 External OVP Signal Programming  
(With Remote Sense)

### 3.10 PARALLEL OPERATION

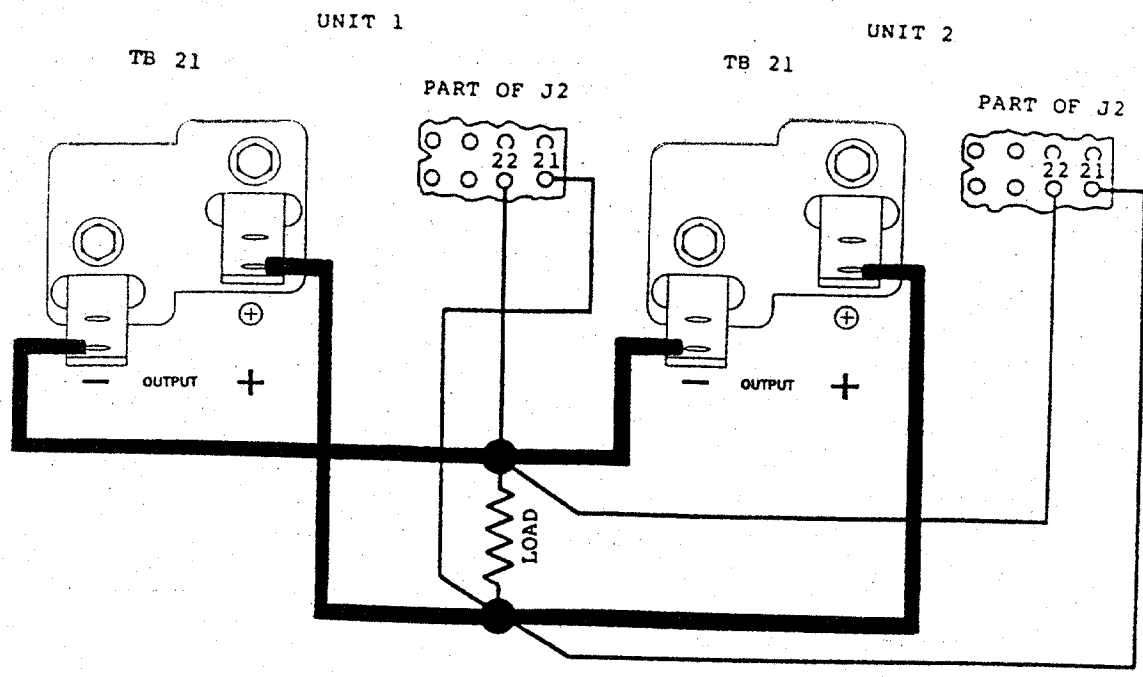
Paralleling of three-phase DCR-T units is accomplished directly by connecting the individual supplies to the load. Using this method, no current derating due to composite tolerances of wire resistance, components, etc., is required. There are no restrictions on the number of units that may be paralleled. However, paralleling units does result in lower overall regulation.

#### NOTE

The paralleled units may be adapted for remote sensing as illustrated in Figure 3.9. They may also be adapted for resistance programming. None of these are required for paralleled operations, however.

The following lists the procedures to be followed in directly paralleling two units. The procedure is applicable to any number of units, however. (See Figure 3.9 for connections.)

- A. Set the ON/OFF switch of both units to OFF. Disconnect main power to both units by setting the Main Power Disconnect switch to OFF.
- B. If applicable, disconnect output lines and sensing leads to both units.
- C. Re-energize the units.
- D. Rotate the VOLTAGE ADJUST control of one unit to the desired output. Repeat the procedure for the other unit. Match the two unit outputs as close as possible.
- E. Set CURRENT ADJUST AMPS control on each unit to one-half of the total desired limiting current; (e.g.) if desired, to limit load current at 15A, set each control to 7.5A, etc.
- F. Set the ON/OFF switch of both units to OFF. Disconnect main power to both units by setting the Main Disconnect switch to OFF.
- G. Connect output cables from each unit to load. If desired, connect the remote sensing leads of each unit to load.
- H. Re-energize both units. POWER ON indicators light. The unit which is supplying the highest voltage (it is possible to identically match the output voltages) will supply load. If the load requirements exceed the setting on CURRENT ADJUST AMPS control, this unit will automatically crossover to current mode operation, and its output voltage will drop. The second unit will assume that portion of the load rejected by the first. Any further increases in load will be supplied by the second unit up to its current limit setting. Regulation, therefore, will be the sum of the regulation of the two units plus the difference in the voltage settings. Set each current limit as needed to limit current to 100% of rated.



**Figure 3.9 Parallel Operation  
(With Remote Sense)**

### 3.11 SERIES OPERATION

Series operation allows the user to connect as many as five 10 or 32 volt DCR-T units in series. Only three of the 55, 80 and 110 volt units and only two of the 160 volt units may be connected in this manner, while the 300 and 600 volt units may not be connected in series configuration. No derating is inherent in series operation and regulation is the sum of the regulation of all units.

---

#### NOTE

Series units may be connected for remote sensing as indicated in Figure 3.10, or they may be adapted to resistance or signal programming. None of these, however, are required for series operation.

---

The following outlines procedures for connecting two units in series. The same procedure may be used for series connecting up to five units. (See Figure 3.10 for schematic of connections.)

- A. Set desired voltage output of each unit at no load using VOLTAGE ADJUST. Select current limiting value.
- B. Set the ON/OFF switch of both units to OFF. Disconnect main power to both units by setting the Main Disconnect switch to OFF.
- C. Connect an output lead from the positive output terminal of one unit (for the sake of clarity, call this unit 1) to the negative output terminal of unit 2.
- D. Connect an output lead from unit 1 (negative terminal) to the load; connect the other output lead from unit 2 (positive terminal) to the load.

---

### CAUTION

In series operation, rectifiers must be connected across each set of output terminals as shown in Figure 3.10. Failure to do so may result in damage to output capacitors. See paragraph 3.11.1 for information on rectifier selection.

---

- E. If remote sensing is desired, proceed as follows:
  1. Connect a sensing lead from the (- SENSE) terminal on unit 1, remote connector J2, to the load termination of unit 1 negative output lead.
  2. Connect a sensing lead from the (+ SENSE) terminal on unit 1, remote connector J2, to the negative output terminal of unit 2.
  3. Connect a sensing lead from the (- SENSE) terminal on unit 2, remote connector J2, to the negative output terminal of unit 2.
  4. Connect a sensing lead from the (+ SENSE) terminal on unit 2, remote connector J2, to the load termination of unit 2 positive output lead.



- F. Re-energize both units. POWER ON indicator lights. Each unit operates as a separate entity, with the output of each independently adjustable. Each may be turned ON and OFF separately. (The rectifiers protect the OFF unit.)

### 3.11.1 Series Operation Rectifier

When operating units in series, connect rectifiers across the individual unit outputs. Assure the diodes have current and voltage capability at least equal to its associated supply. Adequate heatsinking must be used. (See Figure 3.10.)

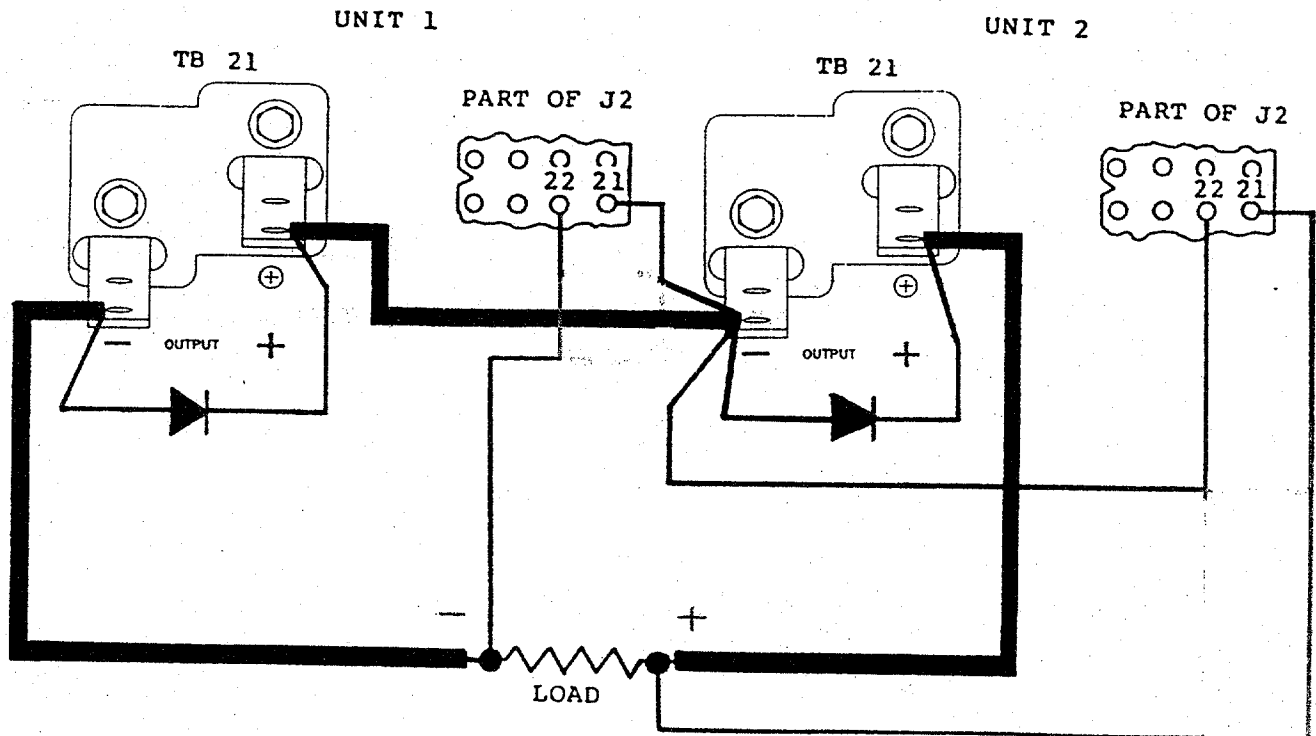


Figure 3.10 Series Operation  
(With Remote Sensing)

### 3.12 REMOTE SHUTDOWN

The unit output voltage and current may be remotely shutdown without putting the unit into the Stand-By mode. The shutdown circuit is activated by connecting J2 pin 15 (SHUTDOWN) to J2 pin 18 (MODE PLS). This connection may be made by means of a switch or relay. A transistor switch may also be used. (See Figure 3.11 for typical remote shutdown configuration.)

#### NOTE

The voltage magnitude on J2 pin 18 is +15 VDC referenced to J2 pin 2 (LOGIC GND).

### 3.13 REMOTE AC CONTROL

The front panel START and STOP functions may be remotely controlled through the J1 connector on the rear panel. This would be useful in those applications where the unit could be cycled between the Stand-By and ON modes.

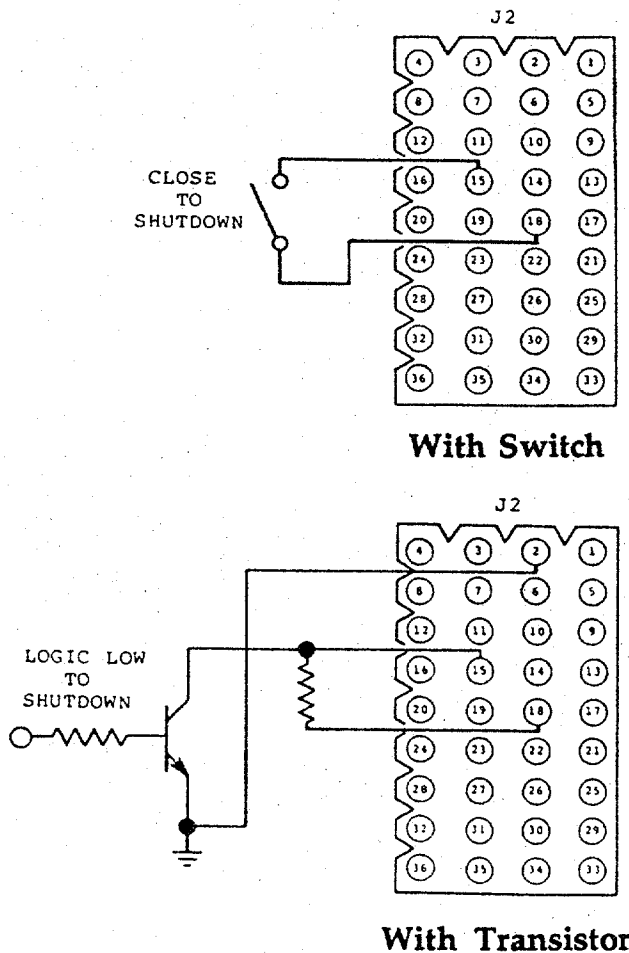


Figure 3.11 Remote Shutdown

### 3.14 REMOTE INDICATORS

The front panel status, voltage mode and current mode indicators, may be remotely accessed on the J2 connector. The indicator drivers may be used to turn on a remote indicator lamp or activate a remote circuit.

#### 3.14.1 Status Indicator Drivers

The following indicator drivers are available on the J2 connector:

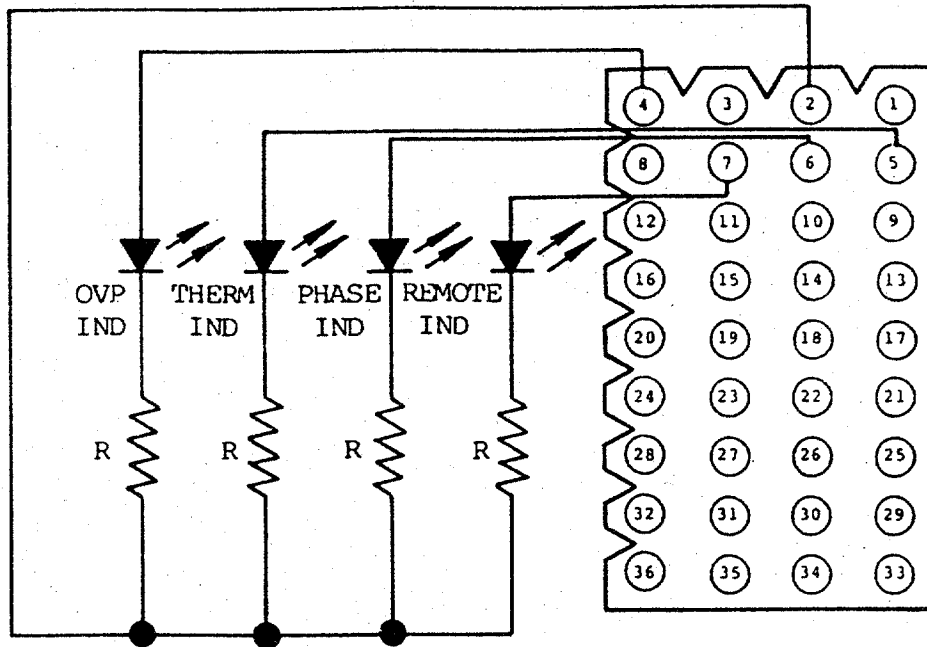
INDICATOR	J2
OVP	Pin 4 (OVP IND)
THERM	Pin 5 (THERM IND)
PHASE	Pin 6 (PHASE IND)
REMOTE	Pin 7 (OPERATE REMOTE IND)

---

#### NOTE

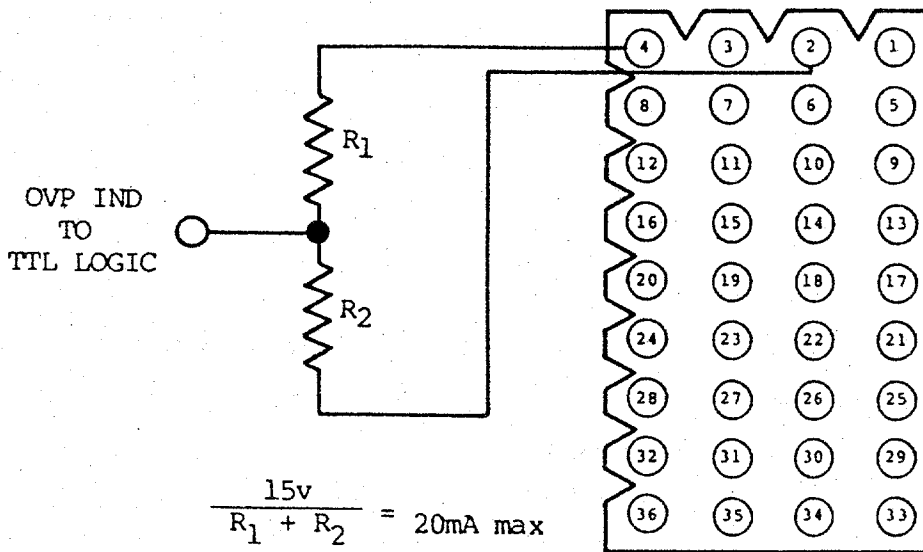
All status indicator driver voltage levels are +15 VDC when activated. The maximum load current per driver is 20 mA, therefore, a current limiting resistor must be used. The circuit common for all status indicators is J2 pin 2 (LOGIC GND). (See Figure 3.12 for typical remote status indicator configurations).

---



$$\frac{(15v - V_{LED})}{R} = 20 \text{ mA max.}$$

**With Remote Led Indicators**



$$\frac{15v}{R_1 + R_2} = 20\text{mA max}$$

**Interface to TTL**

**Figure 3.12 Remote Status Indicators**

### 3.14.2 Mode Indicator Functions

Two voltage and current mode indicator functions are available on the J2 connector. The first is a mode indicator driver on J2 pin 19 (MODE DRIVE) and the second is an open collector mode flag on J2 pin 20 (MODE IND). The same precautions observed for the Status Indicator Drive (paragraph 3.14.1) also applies to the Mode Indicator Functions. (See Figure 3.13 and 3.14 for typical mode indicator configurations).

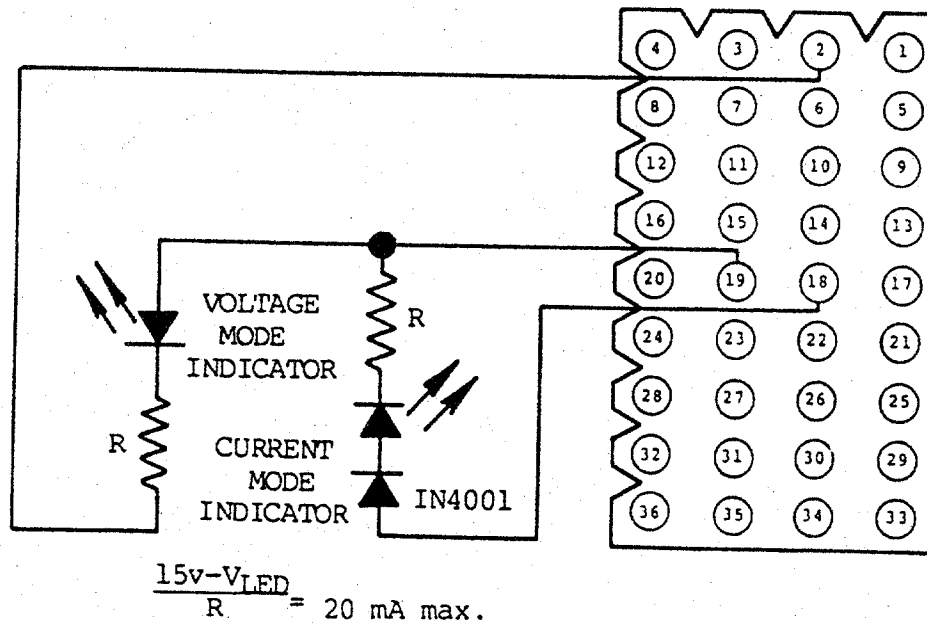
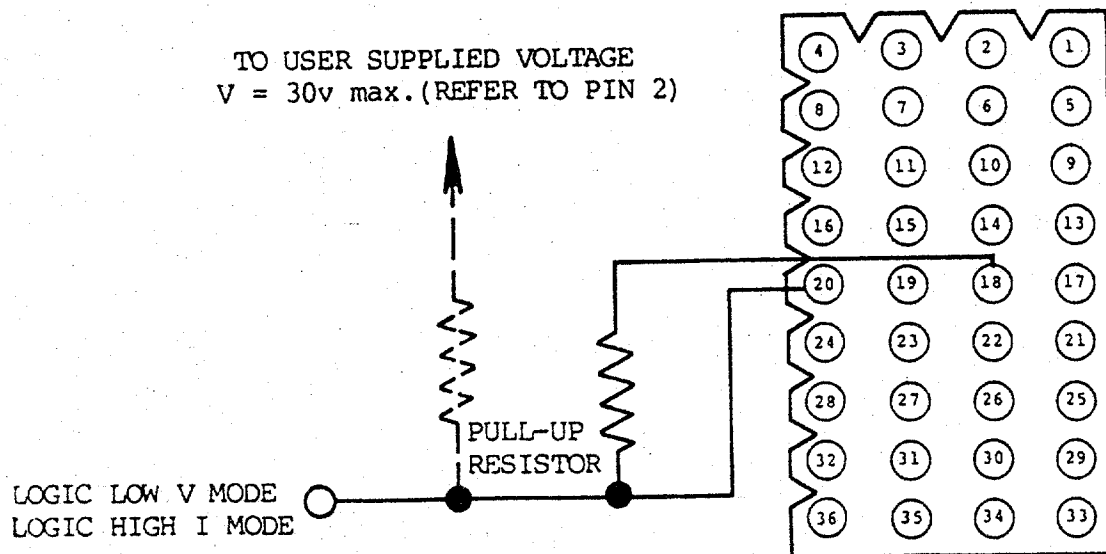


Figure 3.13 Remote Led Mode Indicators



**Figure 3.14 Mode Flag**

### 3.15 REMOTE RESET

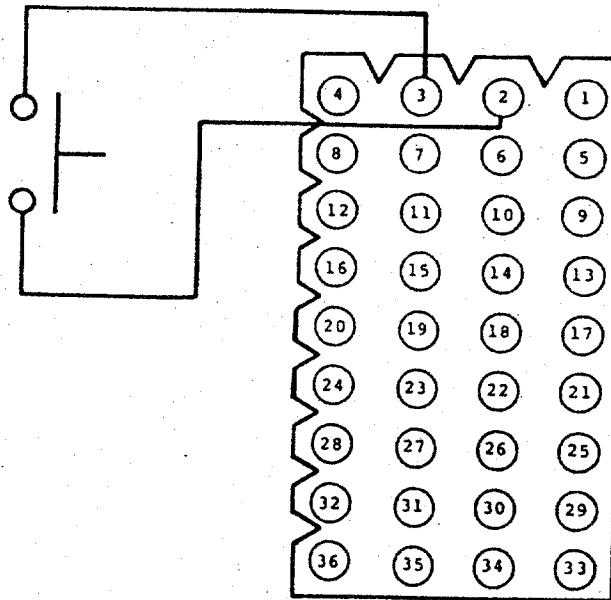
The front panel RESET function may be remotely activated. See paragraph 3.7 for details on the RESET function. The RESET function is activated by momentarily connecting J2 pin 3 (RESET) to J2 pin 2 (LOGIC GND). A momentary switch or transistor circuit may be used. (See Figure 3-15 for typical remote RESET configurations).

---

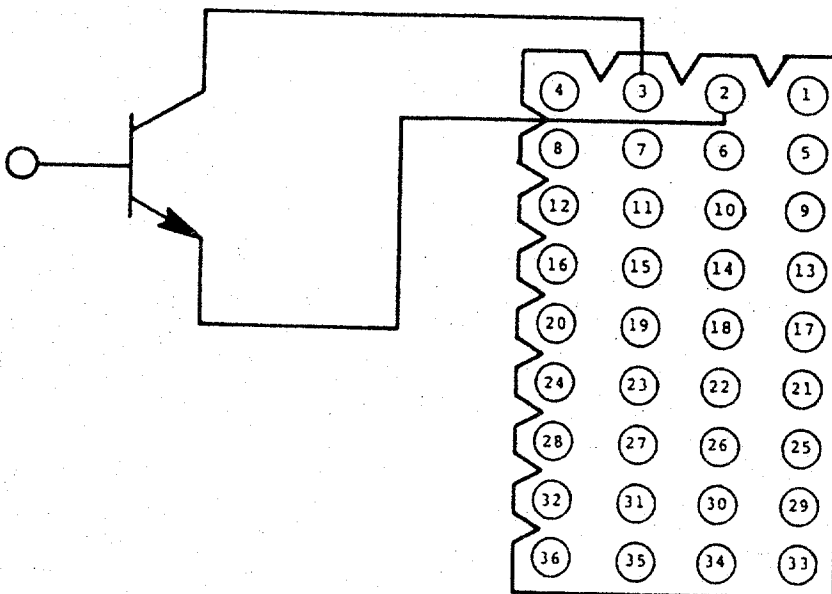
#### NOTE

The RESET current is approximately 1 mA when connected to J2 pin 2. Use a switch or transistor rated for 15 VDC minimum.

---



**With Momentary Switch**



**With Transistor Switch**

**Figure 3.15 Remote Reset**

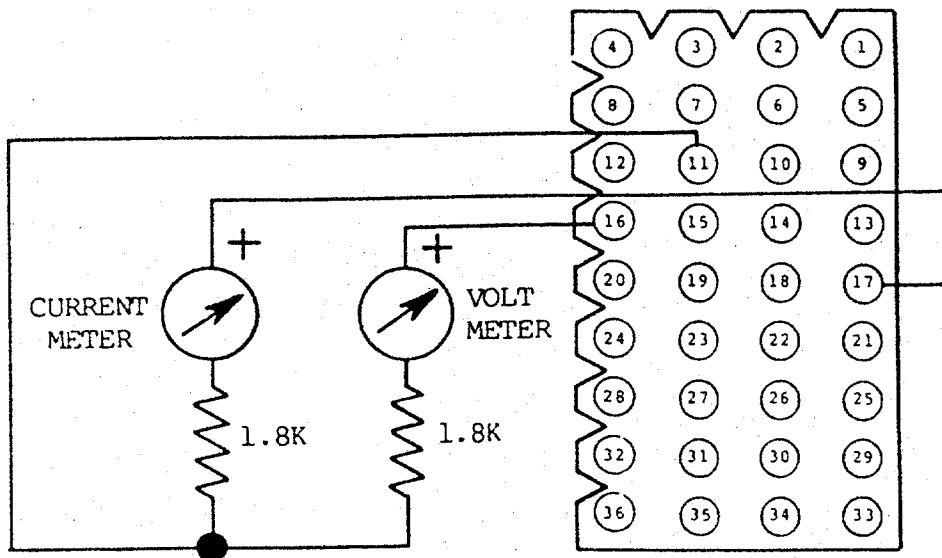
### 3.16 REMOTE VOLTAGE AND CURRENT MONITOR

The output voltage and current may be monitored from the J2 connector. Two 0 to 1 mA proportional current sources are provided. One each for voltage and current monitoring.

#### NOTE

The remote monitor current source levels are identical to the internal current sources used to drive the front panel meters. These meters are 1 mA full scale meters. Since the full output ratings of the unit are approximately 80% of the front panel meter full scale, the actual remote monitor current sources are 0 to approximately 0.8 mA for 0 to full scale voltage and current output. Some method of externally calibrating the remote meters must be provided.

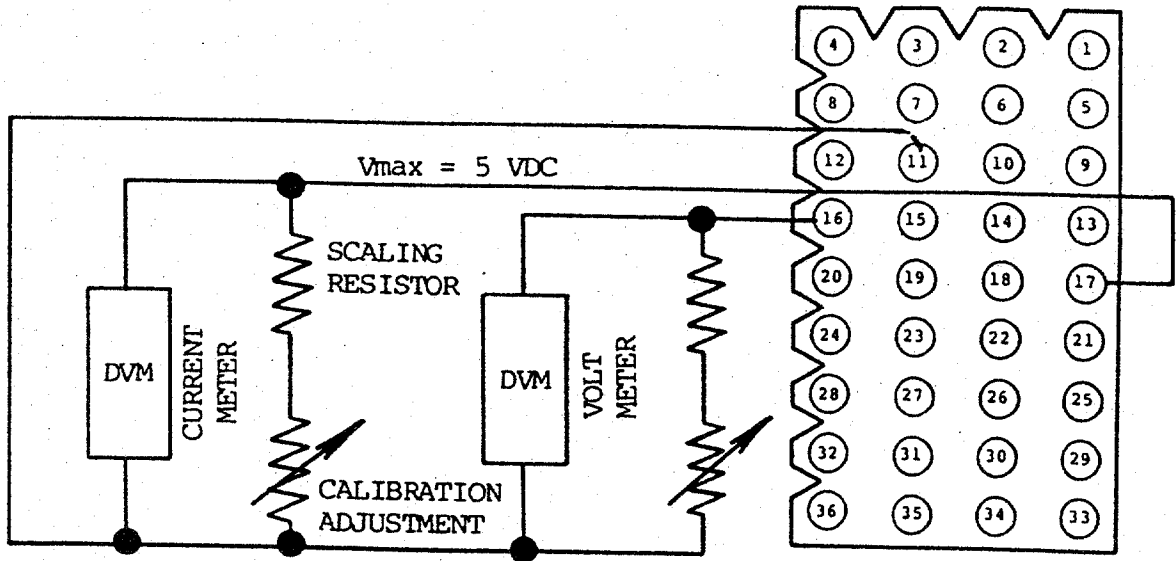
The remote voltage monitor current source output is on J2 pin 16 (REMOTE VOLTAGE MTR). The remote current source output is on J2 pin 17 (REMOTE AMP MTR). The remote monitor circuit return is to J2 pin 11 (VIRTUAL GND). (See Figure 3.16 for typical remote voltage and current monitoring configurations.)



With Remote 1 mA Current Meters

Figure 3.16 Remote Voltage and Current Monitoring





With Remote Digital Voltmeters

Figure 3.16 Cont'd Remote Voltage and Current Monitoring

## SECTION 4 THEORY OF OPERATION

### 4.1 GENERAL

The DCR-T units are designed like a power amplifier, see Figure 4.1. The gain of the amplifier is large so that the voltage at the minus input is held equal to the voltage at the plus input. The equation for the output is:  $V_o = V_i (R_1 + R_2) - R_2$

In the actual circuit,  $R_1$  in the equation is  $R_3 + R_4$  on the range board.  $R_2$  in the equation is  $R_{55}$  on the control board.

$V_{in}$  is 0 to 10 volts on all units, except the 4 and 8 volt units.

Figure 4.2 is a block diagram of the power supply. The dc output voltage is controlled by controlling the input voltage to the 3 phase power transformer. This is done as follows:

1. The output voltage or current is compared to a reference voltage. If the output voltage is too high, an error signal is developed. This error signal adjusts the firing angle of the thyristors so that the voltage to the 3 phase transformer decreases.

The voltage out of the 3 phase transformer is rectified and filtered, and is available as the output.

Details of the circuitry are presented in the following sections.

### 4.2 TRANSFORMER/THYRISTOR CIRCUIT

The ac power input to the power supply is a 3 wire, 3 phase configuration. The transformer is Y connected with an artificial neutral that is not connected to an external neutral power wire.

The 3 wire connection was chosen because it can be used with a 3 or 4 wire input configuration. When the 4 wire configuration is used, the neutral wire is tied to the chassis and is not used in the circuitry.

The ac power is brought into the transformer through a contactor, overload detector and an RFI filter. The thyristors are connected at the Y of the transformer.

Figure 4.3 shows how the transformer and thyristor are controlled. Also shown are 3 sine waves, drawn 120° apart. These represent the 3 power voltage phases. The SCR's that must be fired to control each one-half sine wave are shown.

This also shows how the thyristor firing must be timed. If the wrong thyristor is fired, the unit will not function properly.

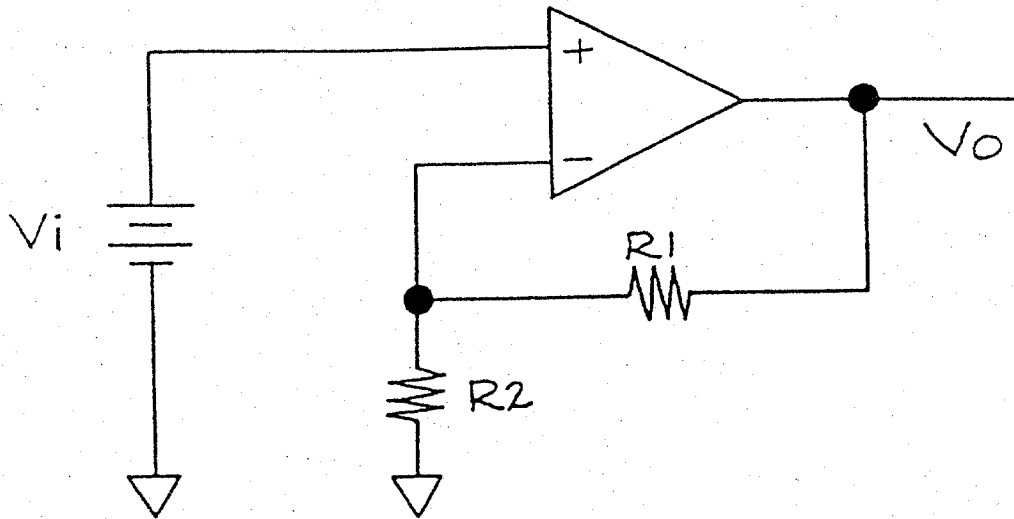


Figure 4.1 Power Amplifier Circuit

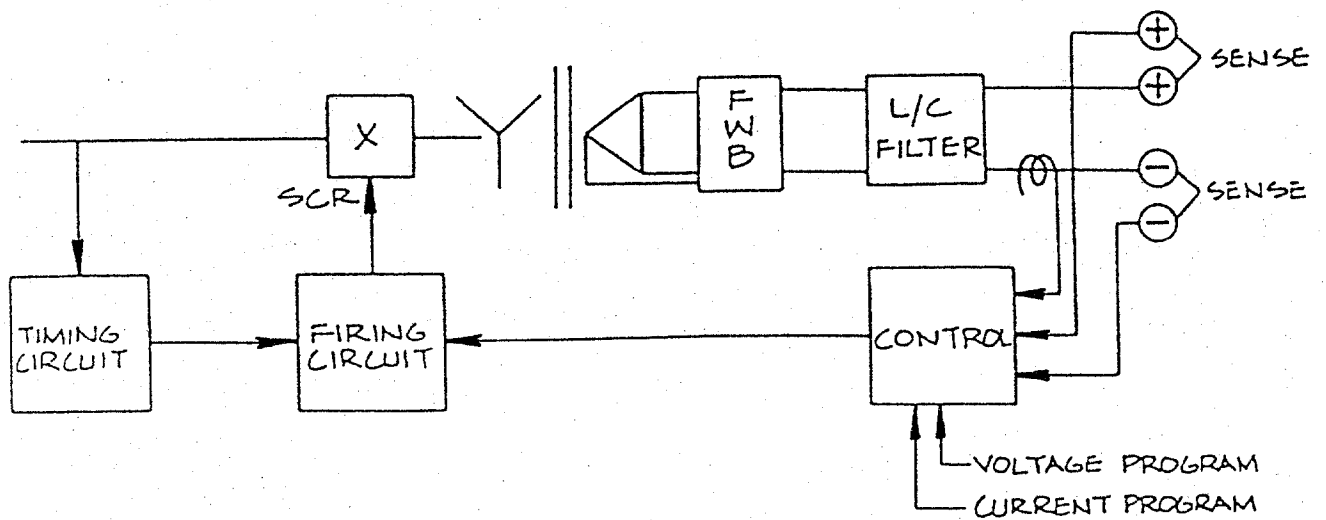


Figure 4.2 Block Diagram

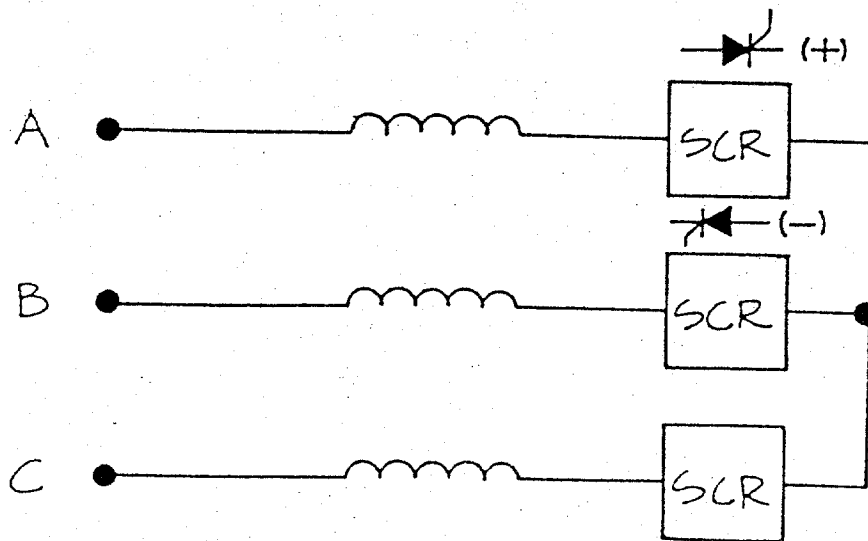
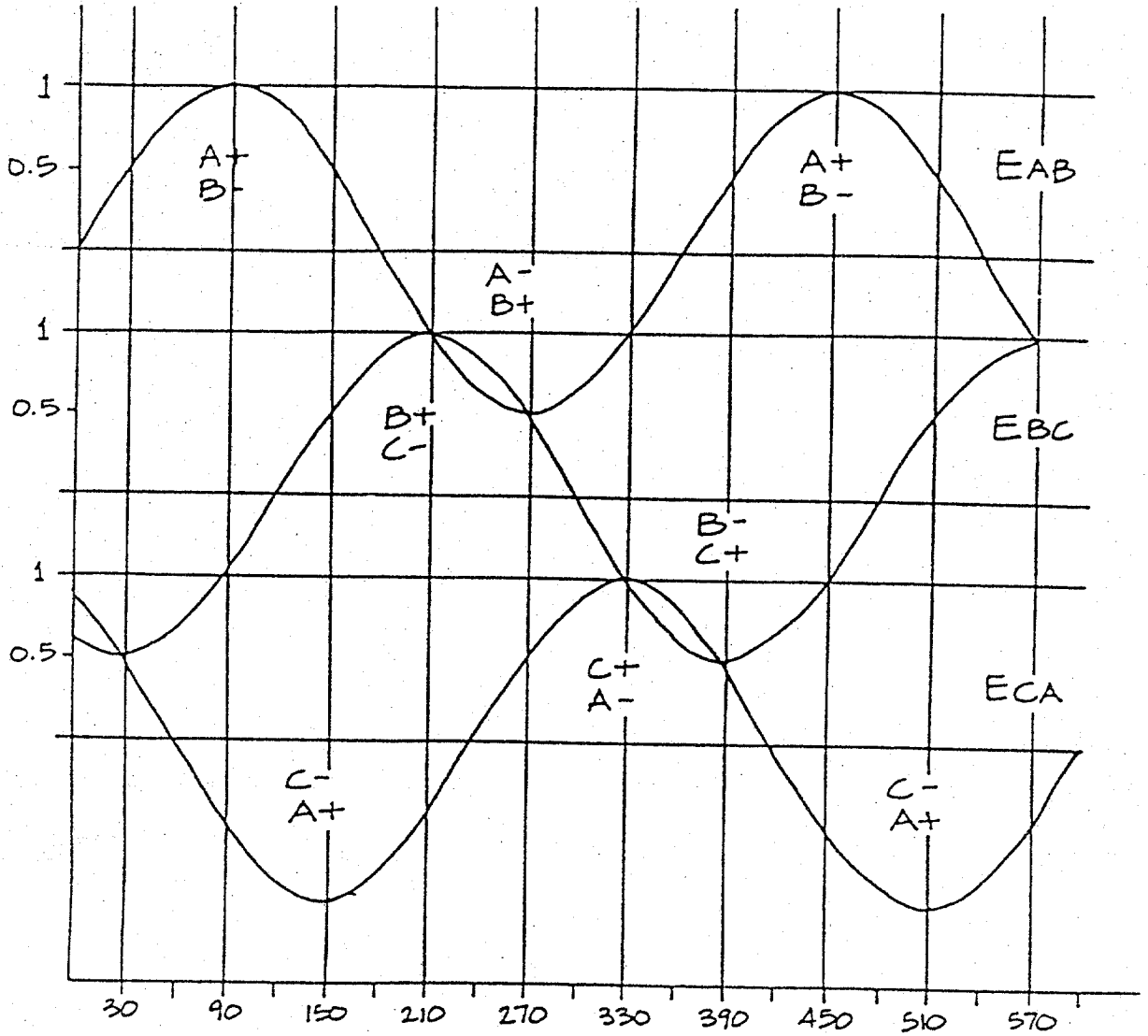


Figure 4.3 Sine Waves/Power Voltage Phases

### 4.3 TIMING CIRCUIT

Figure 4.4 shows the 6 ramps that are generated. Each ramp segment is used to control a unique combination of thyristors.

There are 6 thyristors designated here as: (A+), (A-), (B+), (B-), (C+) and (C-). The letter identifies the line they are in and the sign identifies the direction of current. Each ramp is one-half cycle of each phase, hence, 6 ramps.

Figure 4.5 shows how the error signal is used to compare with the ramps to develop a firing time for the thyristors. As the error voltage gets lower on the ramp the time delay angle of the firing of the thyristor becomes shorter.

Figure 4.6 is a schematic drawing of one of the 3 channels that generate two of the ramps, and detects the errors.

Q8 with R16 and op amp U2A form a constant current source to charge C2. Two additional circuits are used for the other 4 ramps.

A timing circuit (see the crossover circuit schematics) detects when the voltage associated with thyristor (A+), and another associated with thyristor (A-), crosses zero voltage. A pulse is developed and is fed to amplifier U1-D through CR1. This shorts out C2, discharging it and initiating the next ramp.

When the voltage associated with (A-) crosses zero, a second pulse is generated, repeating the action. The action alternates, causing 2 ramps to be successfully generated and is used as one input to the error comparator circuit, U2-D.

The trigger board schematic drawing shows the other 2 ramp generators and error comparators.

---

#### NOTE

Because the AC power lines can have unbalanced voltages, and the unbalances can vary from area to area, 2 ramp adjustments have been included. The ramp rate adjustments are R12 and R13. These allow the user to compensate for varying ac phase voltage unbalances (see also the zero cross board).

---

The outputs of U2-D, U3-B and C are shown in Figure 4.5.

The outputs of U2-B, C and D are fed to 6 (AND) gates, see trigger circuit diagram.

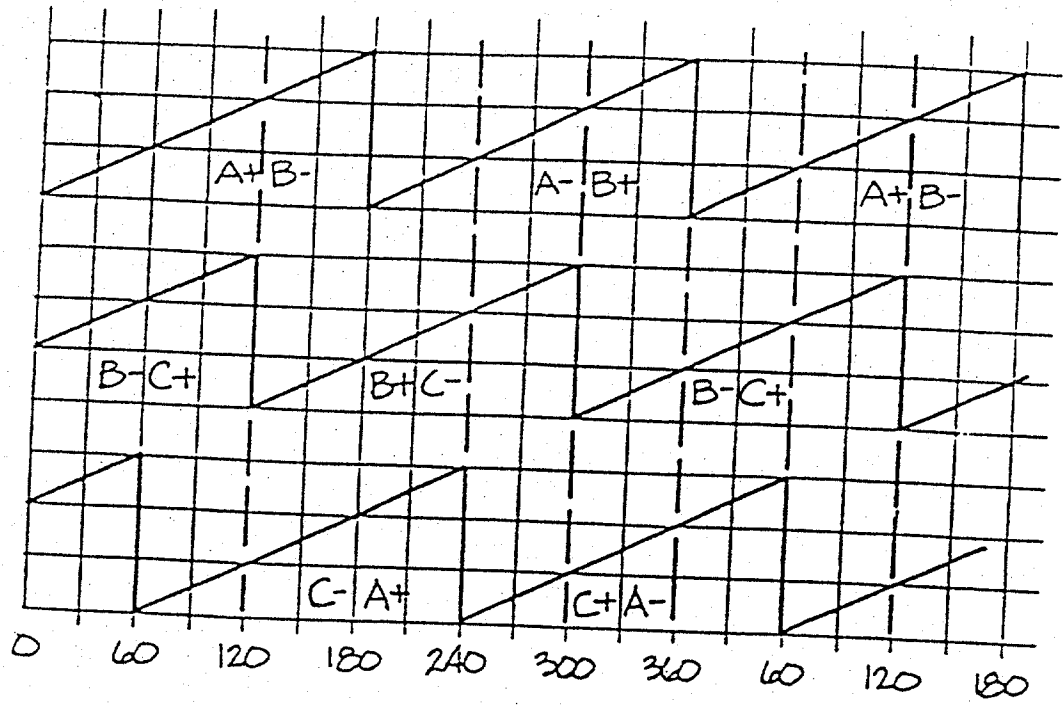


Figure 4.4 Timing Ramp

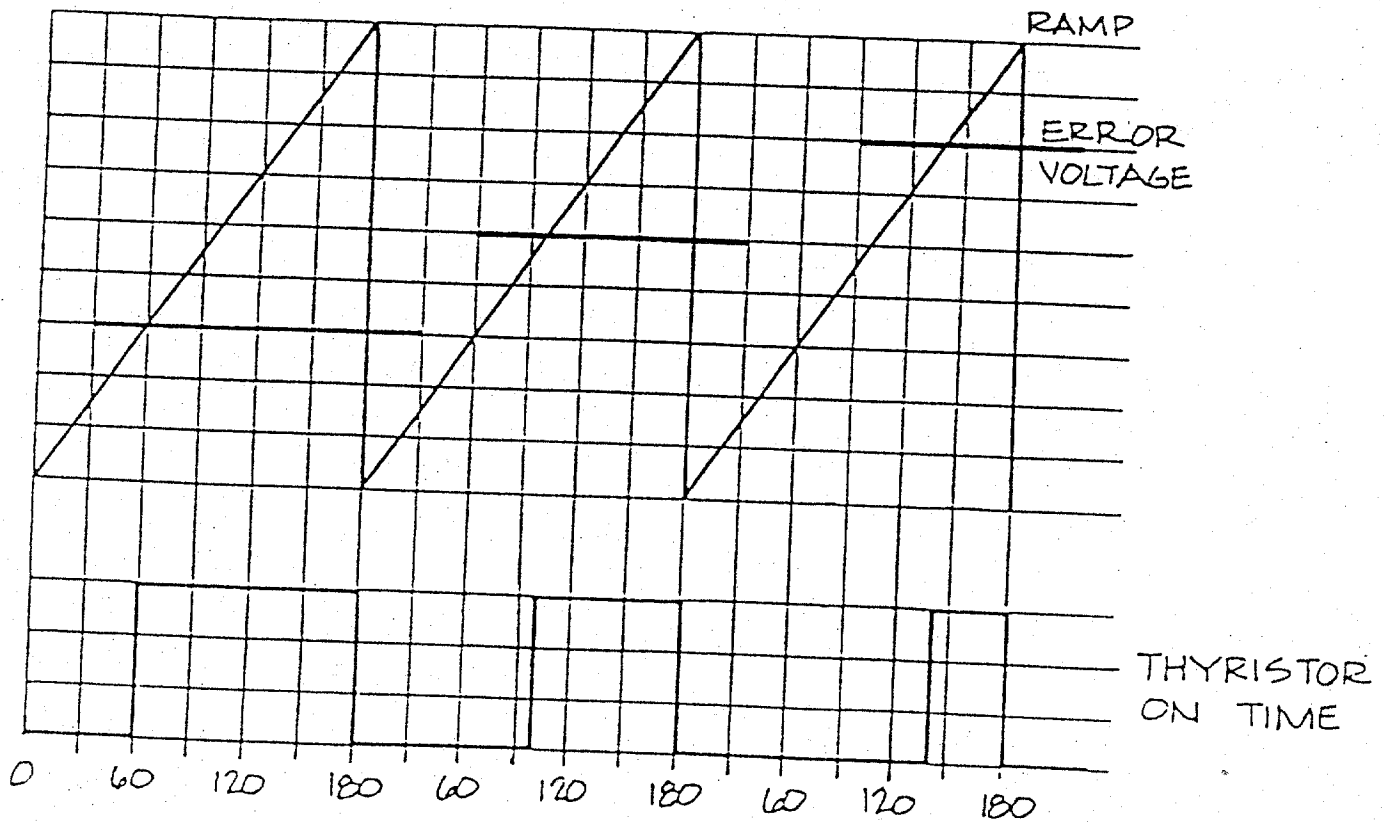


Figure 4.5 Control Signal

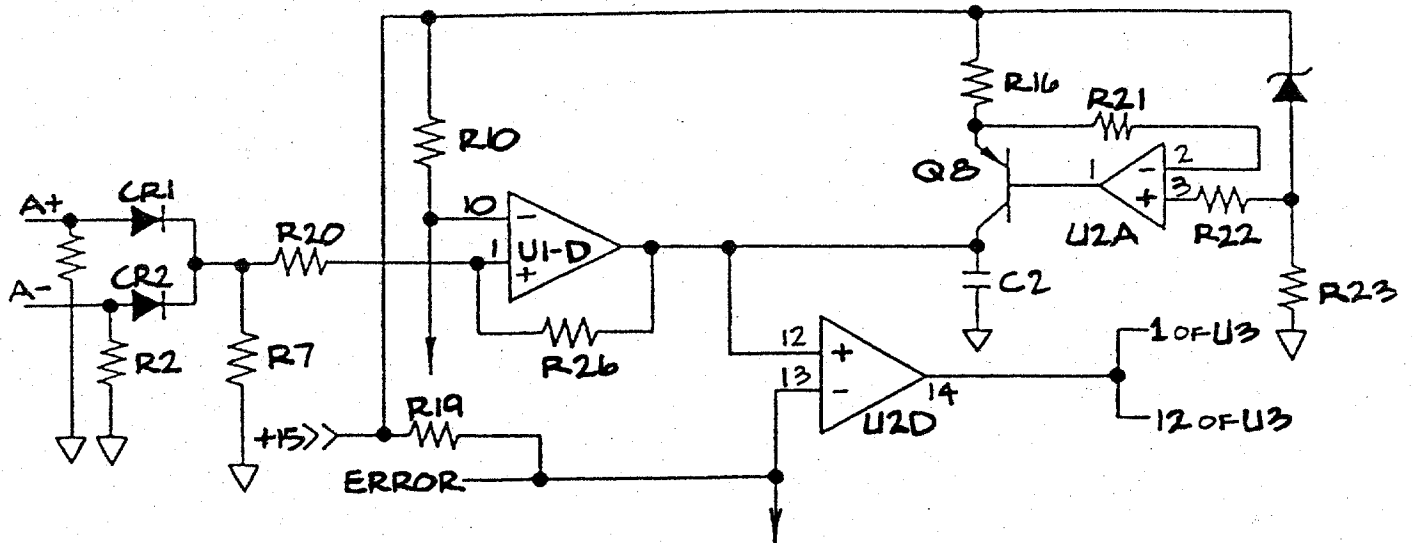


Figure 4.6 Error Detection Circuit Schematic

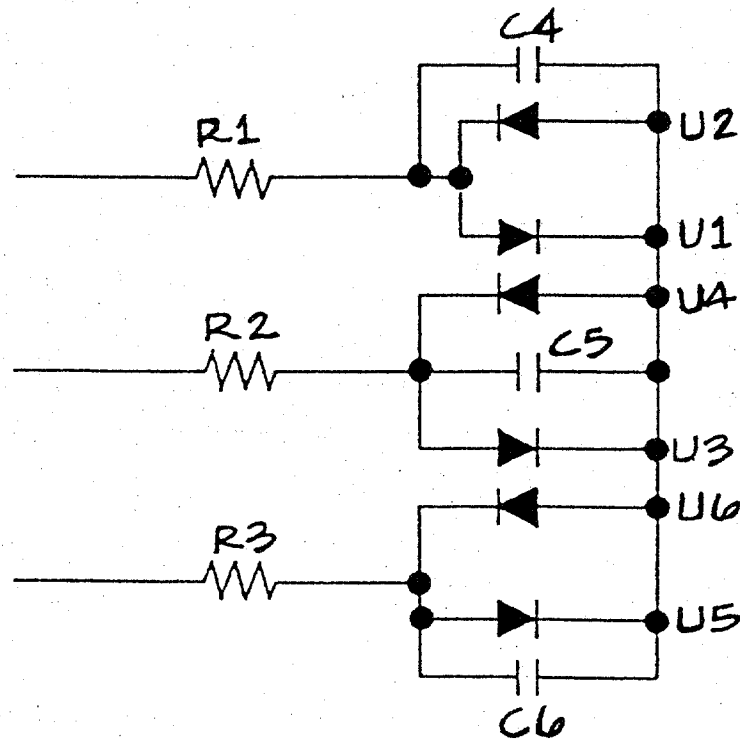


Figure 4.7 Crossover Circuit Schematic

The outputs of the error comparators are for driving both the (+) and (-) thyristors, and these are divided into the proper (+) and (-) signals from the zero cross circuit and allow only the correct signal through.

Thus, the outputs from the (AND) gates are unique to each of the 6 thyristors. The on-time voltage signals, out of buffer U5, are the requirement for each of the (+) and (-) thyristors in each power line.

In Figure 4.3, it was seen that to control the positive one-half cycle of phase voltage (AB), thyristor (A+) and (B-) must be controlled. The output of (A+), 2 of U5, goes to CR7 and CR14. These 2 diodes are inputs to U6 and U9.

U6 and U11 are opto couplers that trigger internal thyristors that in turn trigger a pilot thyristor, that in turn triggers one of the power thyristors.

When the requirement exists for (A+) to be ON, (B-) is also turned on completing the circuit. Using the waveforms of Figure 4.3 and schematic drawing for the trigger circuit, all of the other 5 firing combinations can be seen.

Obviously, if two or more of these circuits gets miswired the unit will not function properly.

#### 4.4 CROSSOVER CIRCUIT (ZERO CROSS CIRCUIT)

This circuit develops 6 thyristor "on time" signals per 1 full, 3 phase cycle. Each "on time" has a duration of one-half cycle or approximately 8.3 milliseconds.

Figure 4.7 is part of the schematic drawing of the crossover board.

Each of the diodes is part of an opto coupler that turns ON a transistor during the one-half cycle that is associated with a specific thyristor.

Comparing Figure 4.7 with Figure 4.2, it is seen that each diode has a counterpart thyristor and the 2 voltages are in phase. Thus, a specific thyristor should only be ON when its counterpart diode is ON.

The outputs of the opto couplers are fed to the trigger board where they time the ramps and select the thyristor that is to be fired.

The start of each of the 6 ramps can be varied over a few parts of a millisecond by the 6 pots. Thus, with the 2 ramp-rate adjustments on the trigger board and the 6 ramp-start adjustments, the output ripple can be adjusted by compensating for unbalanced phase voltage. For a given operating point, the ripple can be adjusted much lower than the optimum value.



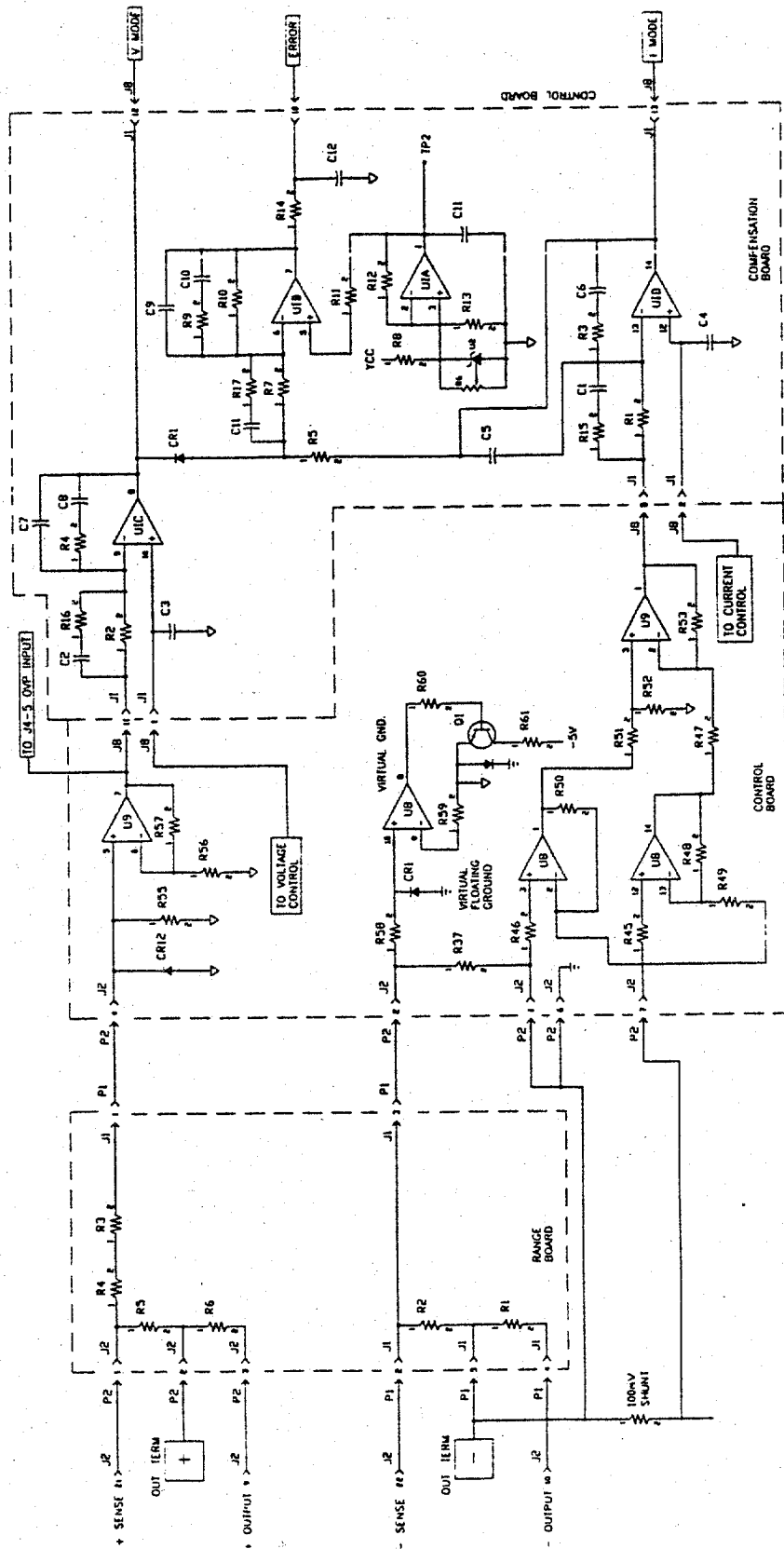


Figure 4.8 Control Loop Schematic

---

## NOTE

Because the phase voltage balance varies from area to area, an adjustment to control the start of each of the 6 ramps is included. Thus, to optimize the output ripple, these 6 adjustments can be used to compensate for the phase voltage unbalance.

---

### 4.5 CONTROL LOOP

Figure 4.8 is the control loop. There are 2 channels: a voltage channel and a current channel. The channels are "OR'd" at the negative input of amplifier C-U1-B. As indicated previously, low error voltage means a high dc output. If the unit is in current control and the load resistance increases, (until the voltage channel takes effect) the output of amplifier C-U1-C decreases to a voltage lower than the output of the current channel, and the voltage channel takes control through diode C-CR1.

The voltage is sensed through J2-21. Resistor A-R6 is a safety resistor should the sense leads open. The unit will not function properly (within specs.) if the sense leads are not in place.

The output voltage is divided down to 10 volts and applied to amplifier B-U9. This is set to unity gain and is a buffer for the difference amplifier C-U1-C.

This voltage is compared to the control voltage which is 0 to 10 volts. The loop adjusts the output voltage so that the voltages at the input pins 9 & 10 of C-U1-C are equal.

The current loop operates in a similar manner. The voltage drops across a 100 mV shunt and then is amplified through amplifiers B-U8 and B-U9. The voltage output of pin 1 of B-U9 goes from 0 to 10 volts as the output current goes from 0 to rated current.

This voltage is fed to the current comparator C-U1-A where it is compared to a control voltage of 0 to 10 volts.

### 4.6 VIRTUAL GROUND

Because it is necessary to measure the voltage directly across the shunt and yet be able to sense at the negative of the load, a virtual ground has been generated that remains at the negative sense potential. All of the amplifiers are common to the virtual ground.

The negative sense lead is fed to pin 10 of B-U8. This is a current-buffered amplifier, B-Q1, with a unity gain. Thus, the virtual ground is at negative sense potential while the voltage drop across the shunt is measured true.

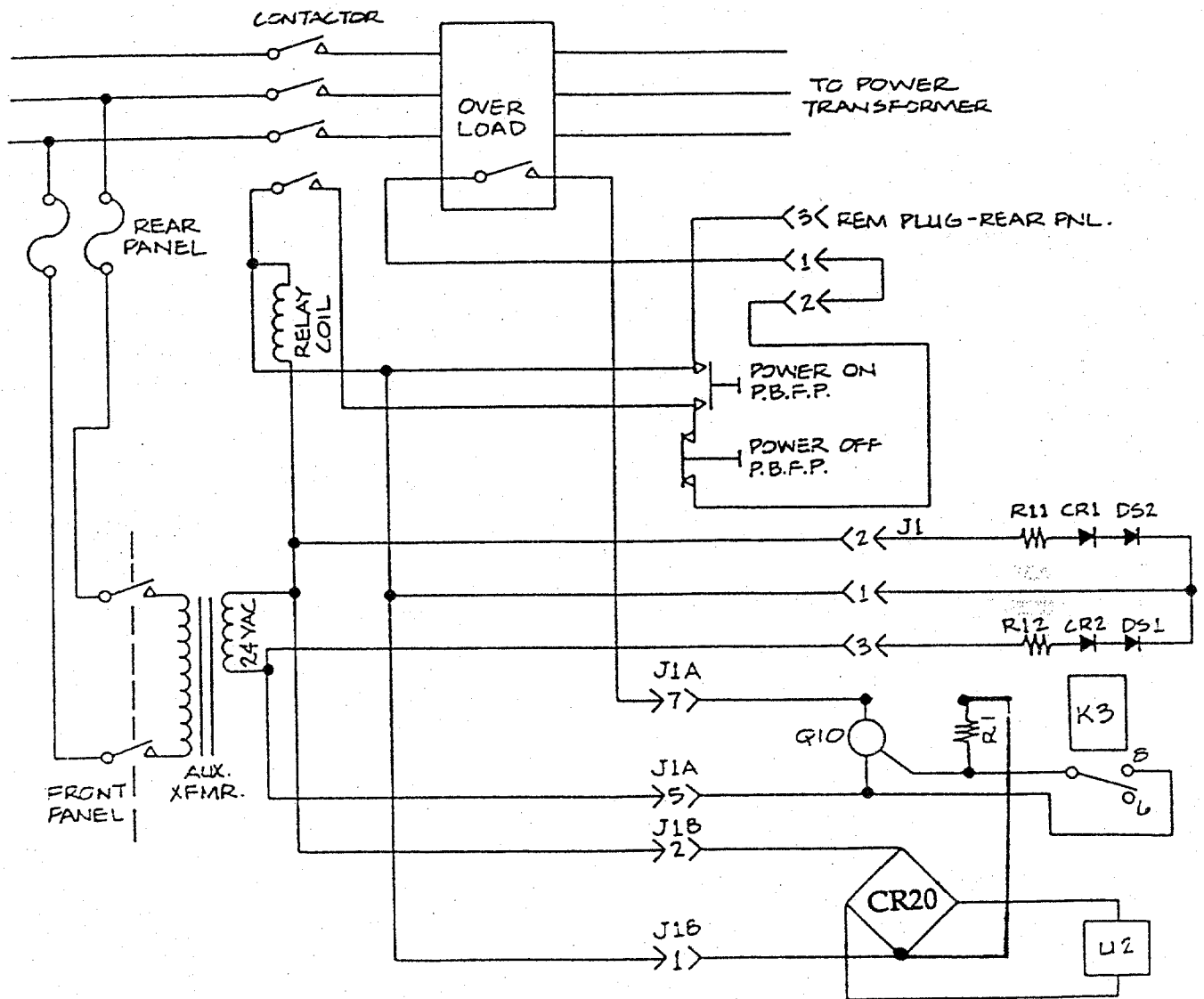


Figure 4.9 AC Power Control Schematic

## 4.7 AC TURN ON

The AC power is applied through the use of a modified 3 wire contactor control system. The advantage is that it offers the user a remote ac control and it keeps the heavy ac wiring from the front panel (see Figure 4.9).

---

### NOTE

One side of the contactor coil is connected to one side of the 24 volt ac out of the auxiliary transformer.

---

When the Stand-By switch is turned ON, the auxiliary transformer is energized and ac power is applied to the control board. Thus, all of the amplifiers are turned ON.

In addition, the Stand-By lamp is lit (DS-1). It is in series with the coil of the contactor. Triac Q3, on the control board, is turned ON, connecting the available voltage for the contactor coil.

When the power ON button is pushed, the contactor coil is energized from the other side of the 24 volt secondary through the following paths:

- A. J1-A-5
- B. Triac Q10
- C. J1-A-7
- D. The auxiliary contacts of the OL.
- E. Pin 1 of the remote connector.
- F. A jumper to pin 2 of the remote connector.
- G. Pin 2 of the remote connector.
- H. The power OFF push button.
- I. The power ON push button.

The sealing contacts of the contactor are in parallel with the power ON push button. When the contactor closes, the power ON push button can be released and the contactor stays closed.

The contactor will open by any one or more of the following happenings:

- A. The OL auxiliary contacts open.
- B. The remote plug is pulled.
- C. The power OFF switch is pushed.
- D. K3 is de-energized, turning Q10 OFF.

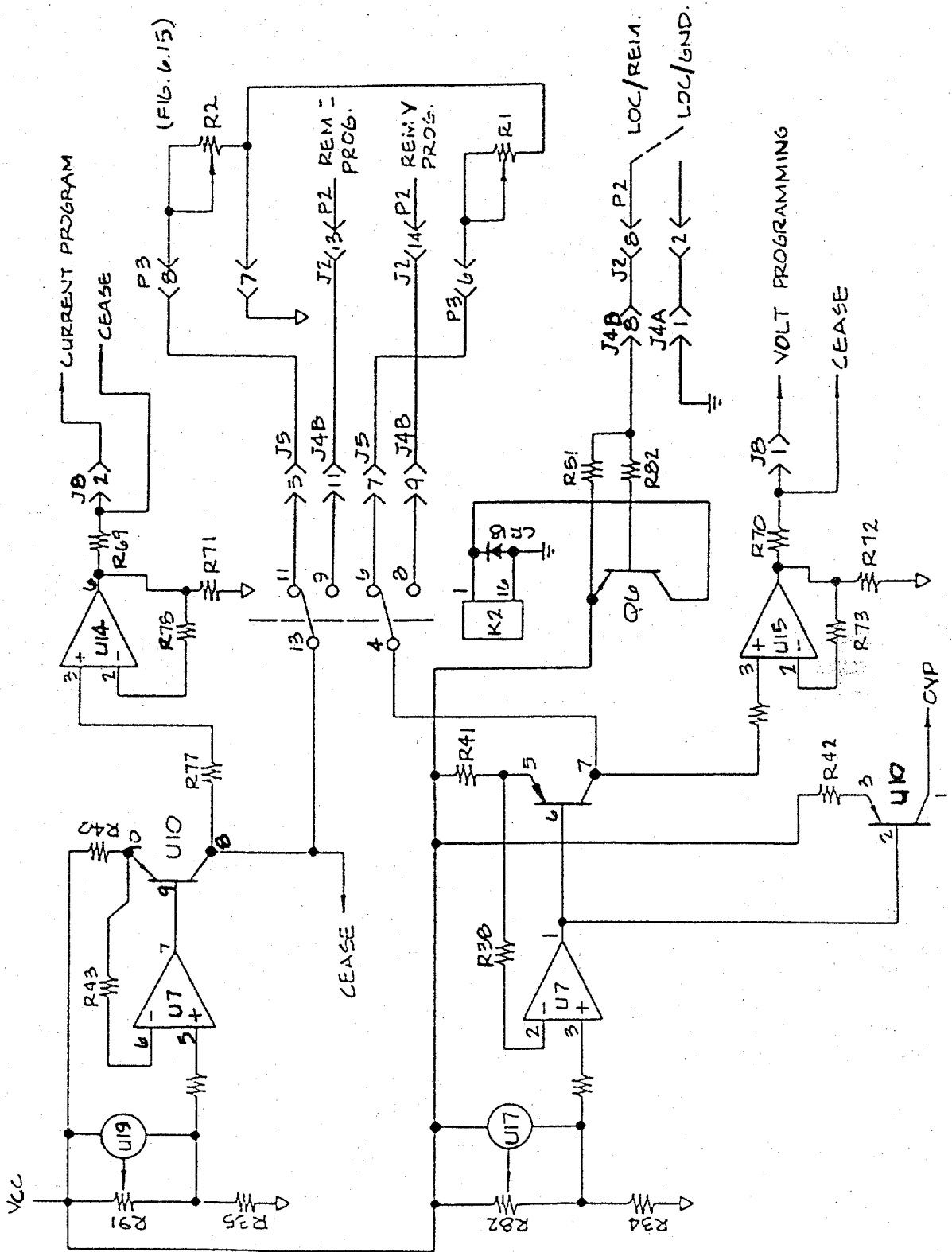


Figure 4.10 Variable Reference Schematic

K3 is the OVP control. Thus, when the OVP actuates all power is removed from the output. See OVP explanation.

CR6 and U2 are signals to the cease line to allow the unit to come ON. See cease operation explanation.

Remote push buttons, to control the ac, can be plugged into the remote plug.

#### 4.8 REFERENCE VOLTAGES TO CONTROL THE OUTPUTS

The outputs can be controlled by the following:

- A. The front controls.
- B. Remote resistors.
- C. Remote voltages (0 to 10 volts).

Figure 4.10 shows the circuitry that provides these options.

As described earlier, the loop is controlled by a voltage that goes from 0 to 10 volts. Both the current and voltage channels are controlled by these voltages.

To develop the 10 volts, a current source has been used. An adjustable zener, U19 and U17, provide a reference voltage for amplifiers U7-5 and U7-3. The output of the amplifier adjusts the drive on two transistors in U10 to keep the voltage across a resistor, R40 and R41, constant. Thus, the current delivered out of U10-8 and U10-1 is constant.

Resistors R1 and R2 are adjustable from 0 to 10K ohms. Thus, with 1 ma of current, the voltage at U14-3 and U15-3 is adjusted from 0 to 10 volts.

The voltage is buffered through U14 and U15 and presented to the current and voltage channels for comparison with the voltage or current outputs (see loop explanation).

For remote programming, a jumper is placed between pins 2 and 8 of P2, the external connector. This turns Q6 ON, energizing K2. The current sources and the buffer amplifiers are now available to be controlled by an external 0 to 10K ohm resistor.

For voltage programming, the voltage source (which must be capable of sinking at least 1 ma of current) is connected in place of the external resistor.

#### 4.9 OVERVOLTAGE PROTECTION

U4 is an SG3542 overvoltage sensing and activating integrated circuit.

The output voltage is picked up from U9-7 amplifier. This is a 0 to 10 volt signal (see loop explanation) and is compared to a voltage that is set up by R13 on the front panel or remote (see Figure 4.11).

The OVP can be set without turning the main power ON and without actuating the OVP circuit. This is done by pushing S5 on the front panel. Relay K1 transfers the voltmeter from reading the output to reading the OVP input.

When the OVP is actuated, relay K3 closes. This turns Q10 OFF and opens the main contactor, removing power from the output. It also pulls up the cease line turning the thyristors OFF immediately.

As an option, a crowbar can be included. When activated, the crowbar will short out the output. However, because the power is removed there is a reduced need for a crowbar. This feature is offered only as an option.

#### 4.10 SLOW START

The nature of the phase-controlled power supplies is such that the control loop must be "rolled-off" at a very low frequency. Thus, it is very slow to respond.

Without a slow start circuit, the amplifier would be calling for maximum voltage out when the main power is OFF. When main power is turned ON, the SCR's would be fired at high voltage before the amplifier could respond to prevent it.

The slow start circuit is shown in Figure 4.12. Prior to ac turn ON, the cease line is high causing Q3 to be turned ON. C20 is charged in a negative direction. The voltage and current programming voltages are pulled negative through the two amplifiers, causing the loop amplifier to call for minimum (zero) output voltage.

When the power is turned ON, the cease line falls, turning Q3 OFF. This allows C20 to charge in a positive direction through Ra. This also allows the voltage out, on the two amplifiers, to rise at a slow rate, set by Ra and C20.

Eventually, the output of one of the amplifiers exceeds the programming voltage, and the unit is in control.

The rate of rise on the voltage across C20 can be altered. However, it must always be slower than the loop amplifier speed. If not, an over start will occur.

#### 4.11 CEASE/INHIBIT

As indicated in Section 4.10, when the cease line is high, the unit is programmed to zero volts. In addition, it prevents any turning sign from getting to the SCR's. (See Figure 4.13 and the Trigger Board schematic diagram.)

The cease line is pulled high by the main power being OFF or the OVP operating.

The unit can be inhibited by putting a voltage on the REM shutdown. This turns ON the transistors in U16. This also pulls the voltage drop across C20 to zero causing the output voltage to be programmed to zero.

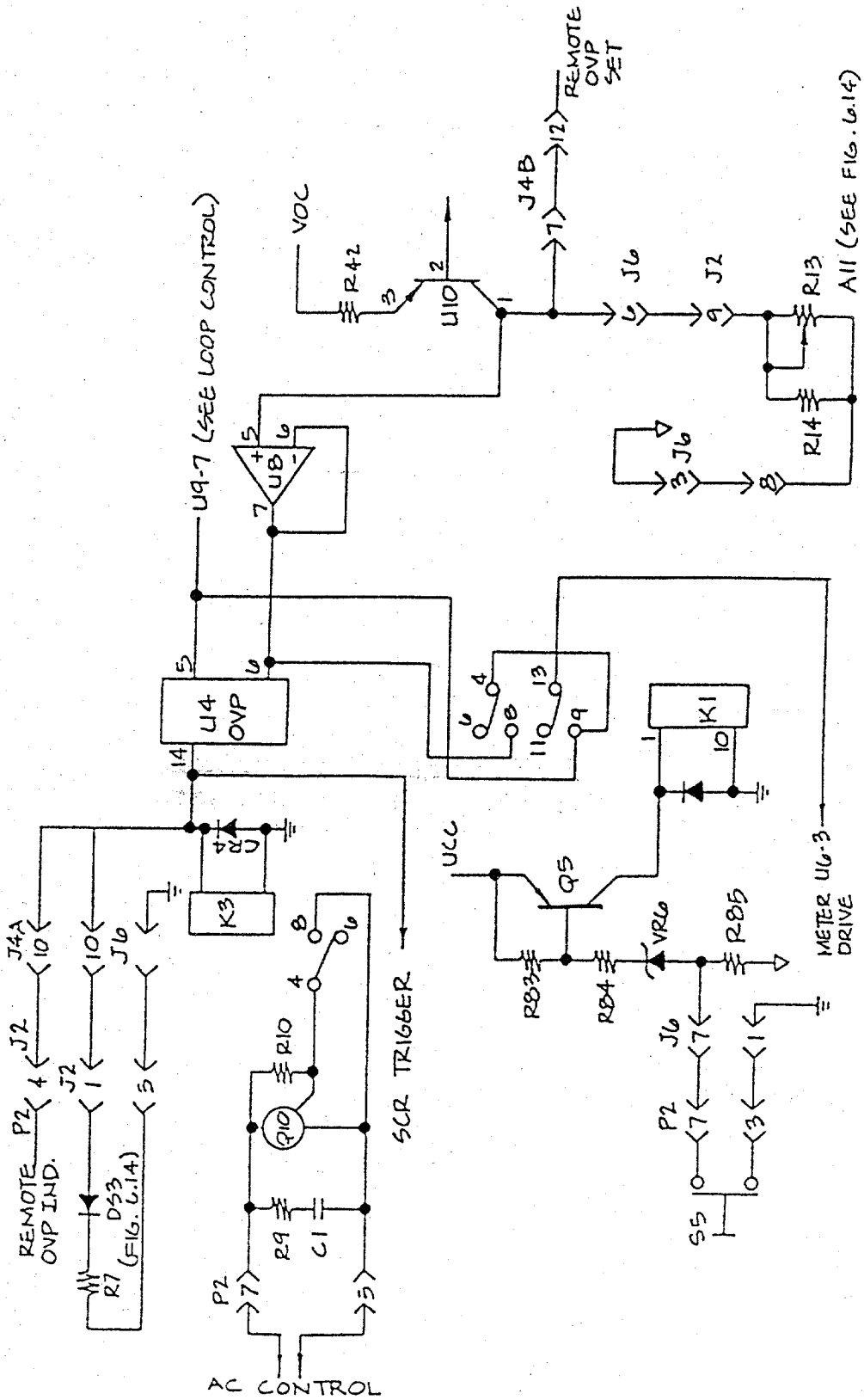


Figure 4.11 OVP Control Schematic



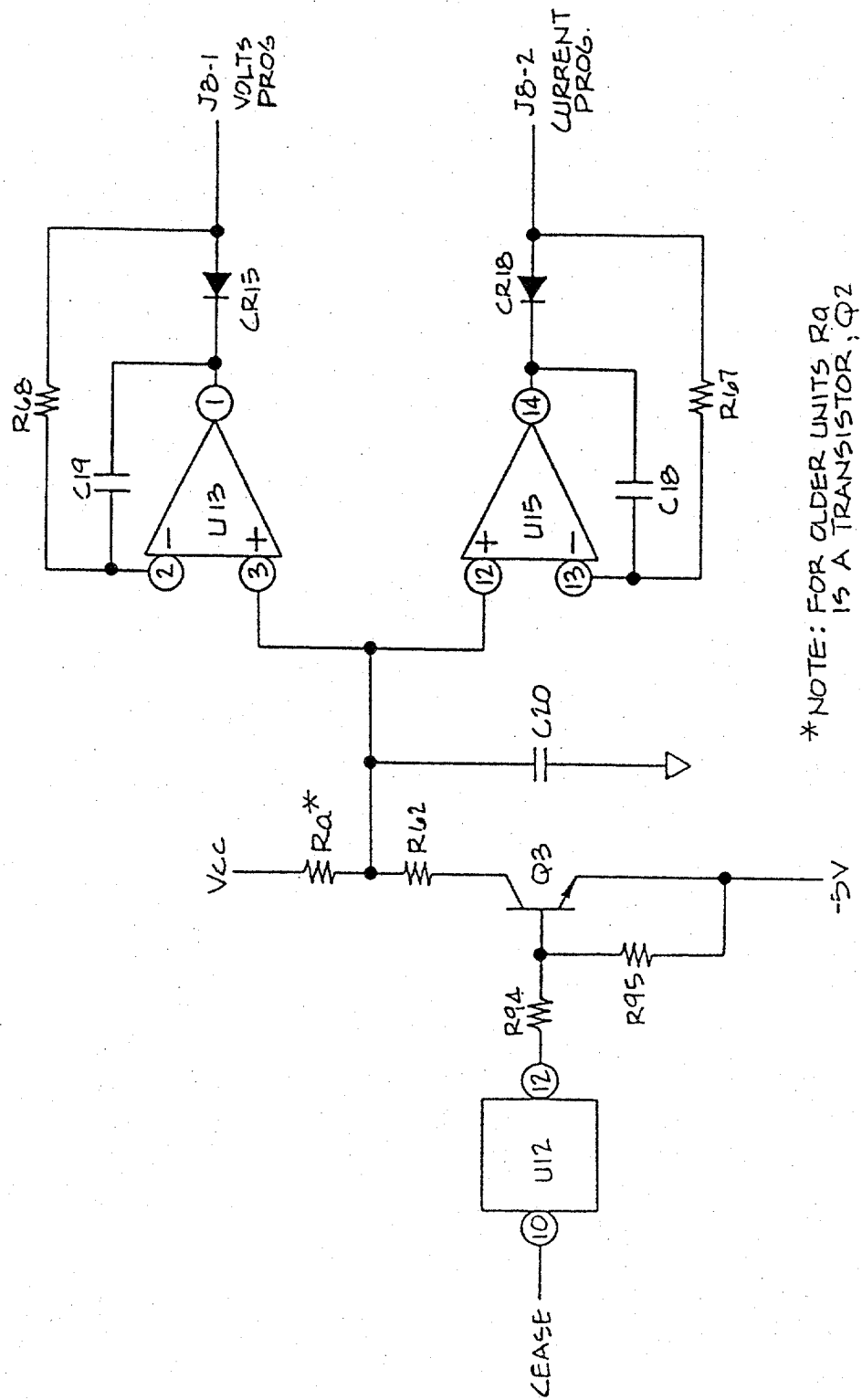


Figure 4.12 Slow Start Circuit Schematic

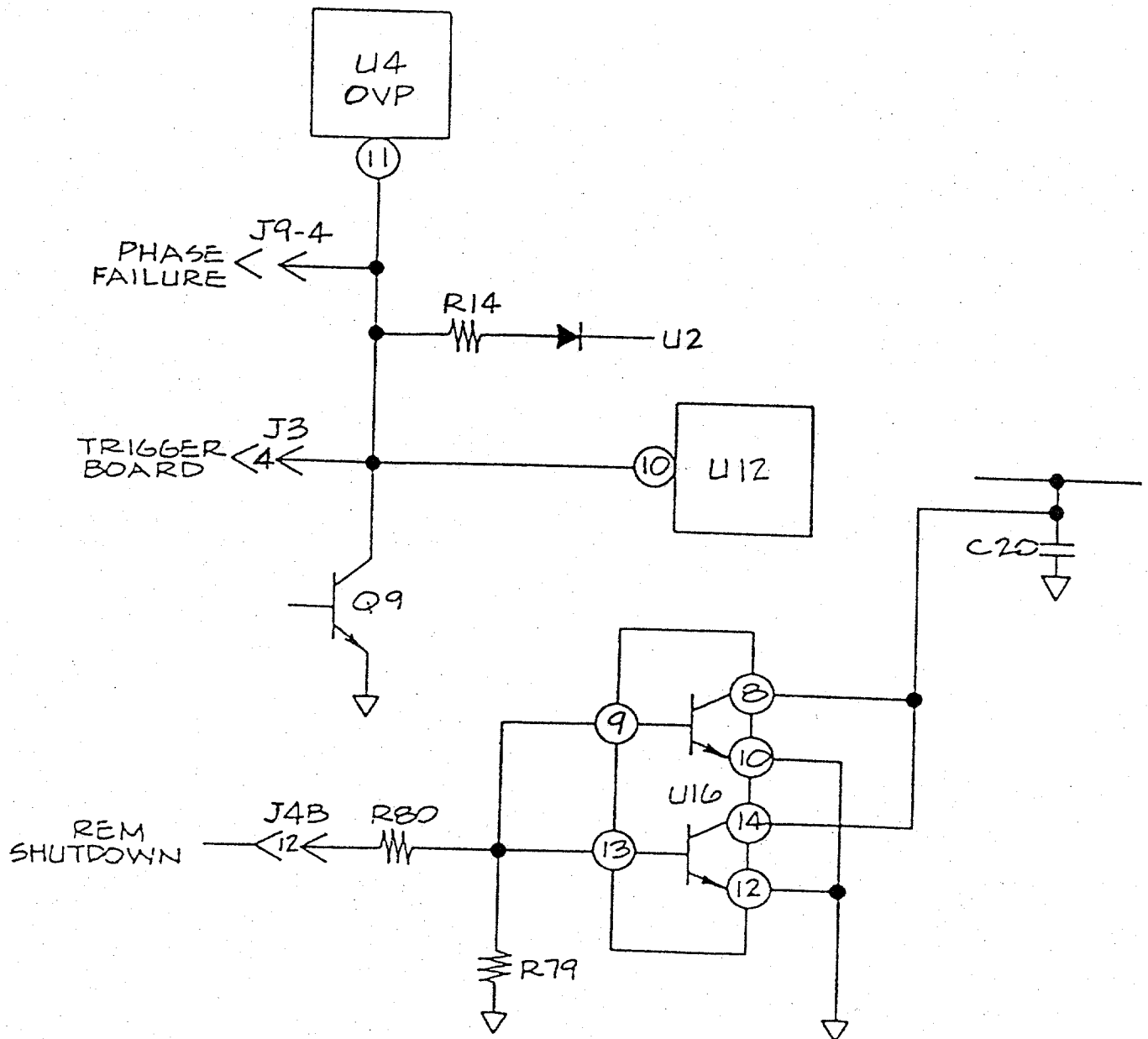


Figure 4.13 Cease and Inhibit Schematic

## 4.12 METER DRIVE CIRCUITS

Figure 4.14 shows the drive circuits for the internal and external meters.

In general, the circuits take a 0-10 volt input and converts it into a 0 to approximately 0-1 ma output. The 0 to 10 volt represents the conversion of 0 to rated output for either the current or voltage.

Calibration adjustments for R93 (Current) and R92 (Voltage) are used to match the internal or external meters to the actual measured currents

U6-14/U5-12 and U6-7/U5-5 are two current sources. The meters becomes the emitter-follower loads for the transistors. The current through R31 or R30 is thus proportional to the input voltage to U6-3 (10).

Thus, meter lead lengths are immaterial, as the current drive compensates for lead losses.

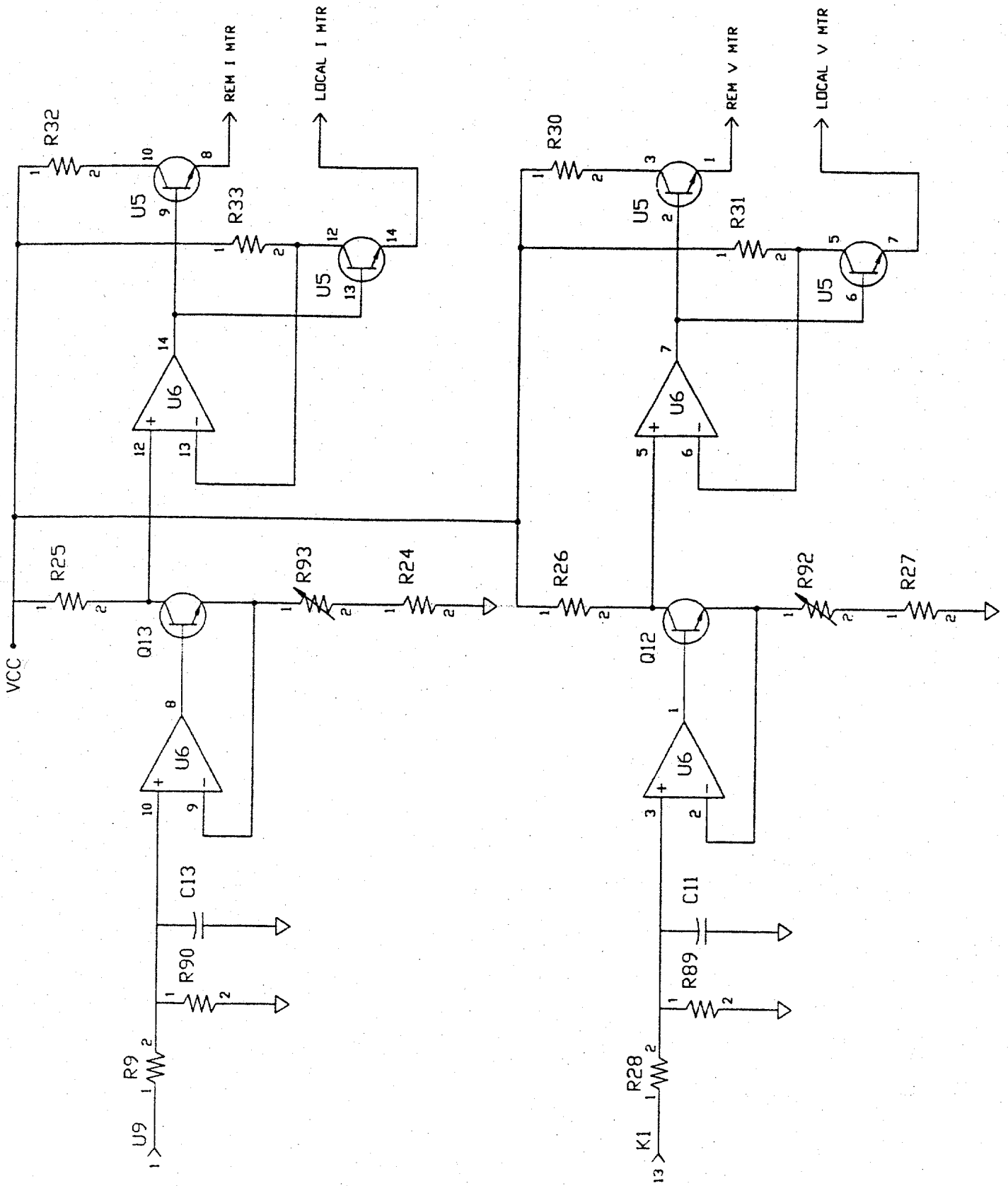


Figure 4.14 DCRT Meter Drive Circuit

## SECTION 5 MAINTENANCE

### 5.1 GENERAL

This section provides troubleshooting data, periodic servicing, calibration and performance testing procedures. The troubleshooting data should be used in conjunction with the schematic diagrams and Section 4, which outlines the principles of operation. Any questions pertaining to repair should be directed to Sorensen. Include the model and serial numbers in any correspondence. Should it be necessary to return a unit to the factory for repair, prior authorization from Sorensen must be obtained.

#### SORENSEN

Repair Department

1-800-458-4258

Tel: (858) 450-0085

Fax: (858) 677-9453

### 5.2 PERIODIC SERVICING

Whenever a unit is removed from service, it should be cleaned using naphtha or an equivalent solvent on painted surfaces, and a weak solution of soap and warm water for the front panel. Compressed air may be used to blow dust from in and around components.

### 5.3 TROUBLESHOOTING

Table 5-1 provides a list of malfunction symptoms along with a tabulation of the possible cause(s) for each symptom. Note that the failure of a single component may result in a chain reaction effect.

### 5.4 CALIBRATION

#### 5.4.1 Voltage Mode

Following repair, the unit should be recalibrated to insure that replacement components have not altered performance. The following is the calibration procedure to ensure that full rated voltage output is available:

1. Rotate the CURRENT control fully clockwise.
2. Check that the remote plugs are properly terminated and installed.
3. Place a precision DC voltmeter across the output sense leads.
4. Set unit POWER switch to ON, and adjust R82 on the control printed circuit board until the voltmeter indicates 105% of the full output voltage rating of the supply.
5. Set POWER switch OFF. Disconnect the voltmeter.

### 5.4.2 Current Mode

1. Set unit POWER switch to OFF. Short output terminals, and set CURRENT control to 100% and VOLTAGE control to about 50%.
2. Set potentiometer R91 on the PCB to about 20% rotation. Set POWER switch to ON and adjust R91 to about 115% of rated current.
3. Turn unit POWER switch to OFF. Remove short. (Test completed.)

**Table 5-1  
DCRT Troubleshooting**

Symptom	Probable Cause/Corrective Action
1. No output (voltage mode).	a) Wrong input voltage. - Check voltage. b) Open fuses. - Check fuses. c) Reference voltages. - Check levels.
2. Fuse opens or over load trips.	a) SCR A, B or C shorted. b) CR4, CR5, CR6, CR7, A, B or C shorted or open.
3. Meters jump.	a) Noises in the power supply. - Reverse two of the AC power wires.
4. Regulation out of specification, low frequency oscillation.	a) Sensing leads from the remote plug to power leads were not connected for shipment. There are internal resistors that prevent disaster should sensing leads come loose. - Sensing leads must be connected.
5. Front Panel controls don't work.	a) Unit out of control. - Check manual for remote/local operation and remote plug.
6. Ripple too high.	a) Large 60 Hz. components. - Check manual for ripple adjustments.
7. Output voltage for maximum.	a) SCR A, B or C shorted.
8. Power won't come on when ON button is pushed.	a) Check to make sure the AC remote plug is properly terminated and in place.

## 5.5 PERFORMANCE TESTING

Sensitive instruments like the DCR-T require rigorous testing methods if a true performance evaluation is to be made. Whenever possible, twisted leads should be used with test equipment to reduce stray pickup. At the power supply terminal board, these leads must be firmly held by the terminal screws. Alligator clips and similar types of connectors are not suitable. Grounding techniques, in which more than one device in the setup is grounded, may introduce extraneous ripple that, although unrelated to the power output ripple, is displayed on the test oscilloscope.

### 5.5.1 Voltage Mode Regulation and Ripple

To check voltage mode regulation and ripple, proceed as follows:

1. Connect a sensitive digital voltmeter and an RMS AC voltmeter across unit output terminals. Select a current shunt for current rating and a DVM for current output readings.
2. Apply high ac line input per specifications, and set load switch to OFF. Set the POWER switch to ON.
3. Rotate COARSE CURRENT control fully clockwise.
4. Use VOLTAGE controls to obtain rated output voltage. Note DVM reading after a few minutes of warm-up time.
5. The DC output voltage should be measured and recorded at four points.
  - a) Max. AC Line - Max Load Current.
  - b) Max. AC Line - 50% Load Current.
  - c) Min. AC Line - 50% Load Current.
  - d) Min. AC Line - Max. Load Current.

### 5.5.2 Current Mode Regulation

To check current mode regulation, proceed as follows:

1. At no load, adjust output to maximum rated voltage, and set COARSE CURRENT control fully clockwise.
2. Connect a sense resistor or a precision meter with shunt meter in series with a variable load across the output terminals.

3. Connect input power at low line per unit specifications. Apply load until rated current of supply is reached. (Unit has voltage mode indicated.) Adjust CURRENT control until CURRENT mode indicator is lit and output volts DVM drops at least 5% of full scale value.
4. The DC output current should be measured and recored at four points.
  - a) Max. AC Line - Max DC Voltage.
  - b) Max. AC Line - 1 Volt.
  - c) Min. AC Line - 0 Volts
  - d) Min. AC Line - Max. DC watt.

---

#### NOTE

All combinations of regulation can be calculated from these measurements.

---

### 5.6 HI-POT TEST PROCEDURES

High potential test procedures have been carefully carried out at the factory. These units are 100% tested and should not require further testing in the field.

---

#### CAUTION

High potential tests can overstress or destroy the power semiconductors in this power supply if improperly applied.

---

Isolation measurements may be made using a standard VOM (Simpson 260 or equivalent) on the highest resistance scale available.

If it is essential to use the high potential test method, please contact the factory for information on special precautions that should be taken.

---

#### CAUTION

Sorensen Company cannot be held liable for any malfunctions resulting from the application of a high potential test (greater than 100V). See standard Sorensen Company warranty.

---



## 5.7 RIPPLE ADJUSTMENTS

The DCR-T units have a unique feature that provides the user the capabilities of compensating for unbalanced ac phase voltages or to minimize ripple for a specific operation region.

The units have been adjusted to accommodate the factory ac line and to meet specifications over total voltage range. If the unit is to be used over a narrow voltage range, ripple can be reduced by 50% for some settings.

### 5.7.1 Steps to Adjust Ripple

With unit OFF, make the following set up:

- A. Remove the six connections from the trigger board: J3, J4, J5, J6, J7 and J8. Carefully lay them next to connector as they must go back exactly as they were taken off.
- B. Place an oscilloscope between virtual ground and TP3. Turn unit ON, both Stand-By and POWER.

---

#### NOTE

Care must be exercised as the ac line voltage is present on the crossover board and the wires taken off in Step A.

---

- C. Note the wave form on the oscilloscope. It should be a 60 Hz sawtooth with a peak of about 8 volts. Note and record peak voltages.
- D. Turn unit power OFF, and move oscilloscope to TP2.
- E. Turn unit power ON, and note wave form. Adjust R13 until peak is identical to Step C.
- F. Turn unit power OFF, and move oscilloscope to TP1.
- G. Turn unit power ON, and note wave form. Adjust R12 until peak is identical to Step C.

---

### NOTE

All wave forms should be the same. If a multi-traced scope is used, this adjustment can be accomplished by looking at all three wave forms at the same time. They will be 120 degrees or about 5.4 MS apart.

---

- H. Turn power and stand-by switches OFF.
- I. Reconnect wires to J3 through J8.
- J. Connect oscilloscope across output.
- K. Connect load for desired operating lead.
- L. Turn voltage control to zero.
- M. Turn unit ON.
- N. Bring voltage up to desired level.
- O. With a screwdriver having a plastic blade, move pots R8, R10, R12, R16, R17 and R18 very slightly, and note effect of ripple on oscilloscope.

---

### NOTE

Study the crossover circuit. AC line voltage is present and is dangerous.

---

- P. Adjust the one that makes the greatest impact on the ripple.
- Q. Repeat Step P until the best ripple is achieved for the desired operating conditions.
- R. Touching-up R12 and R13 from Steps E and G may be necessary.

## **SECTION 6 DRAWINGS AND PARTS LISTS**

### **6.1 GENERAL**

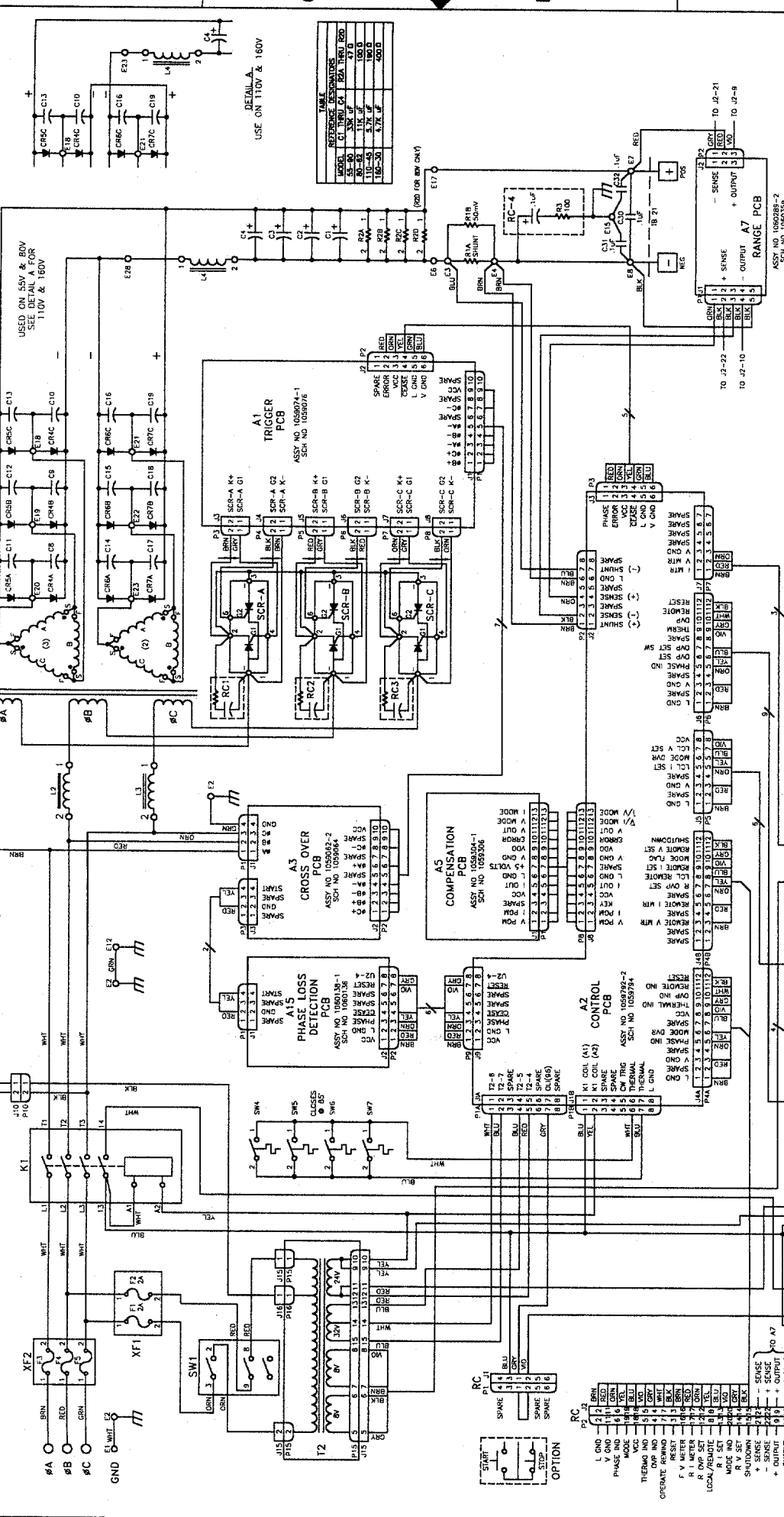
This section provides schematic diagrams, PCB parts location drawings, and replaceable parts lists. The parts lists are keyed to the applicable schematic diagrams.

ZONE	REV	DESCRIPTION	DATE	APPROVED
H		REMOVED PER ECN NO 1010322A	5/31/01	C. Stopp

USED ON LSV & BOV  
SEE DETAIL A FOR  
110V & 160V

DETAIL A  
USE ON 110V & 160V

MODEL	CT	THRU	CA	PRA	THRU	RED
80-80	1.0	1.0	1.0	1.0	1.0	1.0
110-45	5.76	5.76	5.76	5.76	5.76	5.76
160-50	9.76	9.76	9.76	9.76	9.76	9.76



**FIGAR**

**WIRING DIAGRAM**  
55, 80, 110 & 160V  
DCRT-SKW - DCRT-SKW

DATE: 5/31/01  
APPROVED: C. Stopp

SCALE: NONE

SHEET: 1 of 1

CONTRACT NO. 1060358  
ISSUE APPROVAL: 6/18/98  
CHECKED: M. Labadie  
ENGINEER: C. Nagman  
DATE: 6/18/98

UNLESS OTHERWISE SPECIFIED, DIMENSIONS ARE IN INCHES. ANGLES ARE AS SHOWN. TOLERANCES ARE ± 0.005 INCHES. DO NOT SCALE THE DRAWING.

APPLICATOR: DCRT-SKW  
USED ON: DCRT-SKW

THE INFORMATION PROVIDED HEREON IS FOR INFORMATION ONLY. IT IS NOT TO BE USED AS A BASIS FOR CONTRACTS, SPECIFICATIONS, OR OTHER DOCUMENTS. THE USER SHALL BE RESPONSIBLE FOR VERIFYING THE ACCURACY OF THE INFORMATION PROVIDED HEREON.

ASSY NO. 1059744-1  
SCH NO. 1059752

ASSY NO. 1059746-1  
SCH NO. 1059752

ASSY NO. 1059748-1  
SCH NO. 1059752

ASSY NO. 1059750-1  
SCH NO. 1059752

ASSY NO. 1059752-1  
SCH NO. 1059752

ASSY NO. 1059754-1  
SCH NO. 1059754

ASSY NO. 1059756-1  
SCH NO. 1059754

ASSY NO. 1059758-1  
SCH NO. 1059754

ASSY NO. 1059760-1  
SCH NO. 1059754

ASSY NO. 1059762-1  
SCH NO. 1059754

ASSY NO. 1059764-1  
SCH NO. 1059754

ASSY NO. 1059766-1  
SCH NO. 1059754

ASSY NO. 1059768-1  
SCH NO. 1059754

ASSY NO. 1059770-1  
SCH NO. 1059754

ASSY NO. 1059772-1  
SCH NO. 1059754

ASSY NO. 1059774-1  
SCH NO. 1059754

ASSY NO. 1059776-1  
SCH NO. 1059754

ASSY NO. 1059778-1  
SCH NO. 1059754

ASSY NO. 1059780-1  
SCH NO. 1059754

ASSY NO. 1059782-1  
SCH NO. 1059754

ASSY NO. 1059784-1  
SCH NO. 1059754

ASSY NO. 1059786-1  
SCH NO. 1059754

ASSY NO. 1059788-1  
SCH NO. 1059754

ASSY NO. 1059790-1  
SCH NO. 1059754

ASSY NO. 1059792-1  
SCH NO. 1059754

ASSY NO. 1059794-1  
SCH NO. 1059754

ASSY NO. 1059796-1  
SCH NO. 1059754

ASSY NO. 1059798-1  
SCH NO. 1059754

ASSY NO. 1059800-1  
SCH NO. 1059754

ASSY NO. 1059802-1  
SCH NO. 1059754

ASSY NO. 1059804-1  
SCH NO. 1059754

ASSY NO. 1059806-1  
SCH NO. 1059754

ASSY NO. 1059808-1  
SCH NO. 1059754

ASSY NO. 1059810-1  
SCH NO. 1059754

ASSY NO. 1059812-1  
SCH NO. 1059754

ASSY NO. 1059814-1  
SCH NO. 1059754

ASSY NO. 1059816-1  
SCH NO. 1059754

ASSY NO. 1059818-1  
SCH NO. 1059754

ASSY NO. 1059820-1  
SCH NO. 1059754

ASSY NO. 1059822-1  
SCH NO. 1059754

ASSY NO. 1059824-1  
SCH NO. 1059754

ASSY NO. 1059826-1  
SCH NO. 1059754

ASSY NO. 1059828-1  
SCH NO. 1059754

ASSY NO. 1059830-1  
SCH NO. 1059754

ASSY NO. 1059832-1  
SCH NO. 1059754

ASSY NO. 1059834-1  
SCH NO. 1059754

ASSY NO. 1059836-1  
SCH NO. 1059754

ASSY NO. 1059838-1  
SCH NO. 1059754

ASSY NO. 1059840-1  
SCH NO. 1059754

ASSY NO. 1059842-1  
SCH NO. 1059754

ASSY NO. 1059844-1  
SCH NO. 1059754

ASSY NO. 1059846-1  
SCH NO. 1059754

ASSY NO. 1059848-1  
SCH NO. 1059754

ASSY NO. 1059850-1  
SCH NO. 1059754

ASSY NO. 1059852-1  
SCH NO. 1059754

ASSY NO. 1059854-1  
SCH NO. 1059754

ASSY NO. 1059856-1  
SCH NO. 1059754

ASSY NO. 1059858-1  
SCH NO. 1059754

ASSY NO. 1059860-1  
SCH NO. 1059754

ASSY NO. 1059862-1  
SCH NO. 1059754

ASSY NO. 1059864-1  
SCH NO. 1059754

ASSY NO. 1059866-1  
SCH NO. 1059754

ASSY NO. 1059868-1  
SCH NO. 1059754

ASSY NO. 1059870-1  
SCH NO. 1059754

ASSY NO. 1059872-1  
SCH NO. 1059754

ASSY NO. 1059874-1  
SCH NO. 1059754

ASSY NO. 1059876-1  
SCH NO. 1059754

ASSY NO. 1059878-1  
SCH NO. 1059754

ASSY NO. 1059880-1  
SCH NO. 1059754

ASSY NO. 1059882-1  
SCH NO. 1059754

ASSY NO. 1059884-1  
SCH NO. 1059754

ASSY NO. 1059886-1  
SCH NO. 1059754

ASSY NO. 1059888-1  
SCH NO. 1059754

ASSY NO. 1059890-1  
SCH NO. 1059754

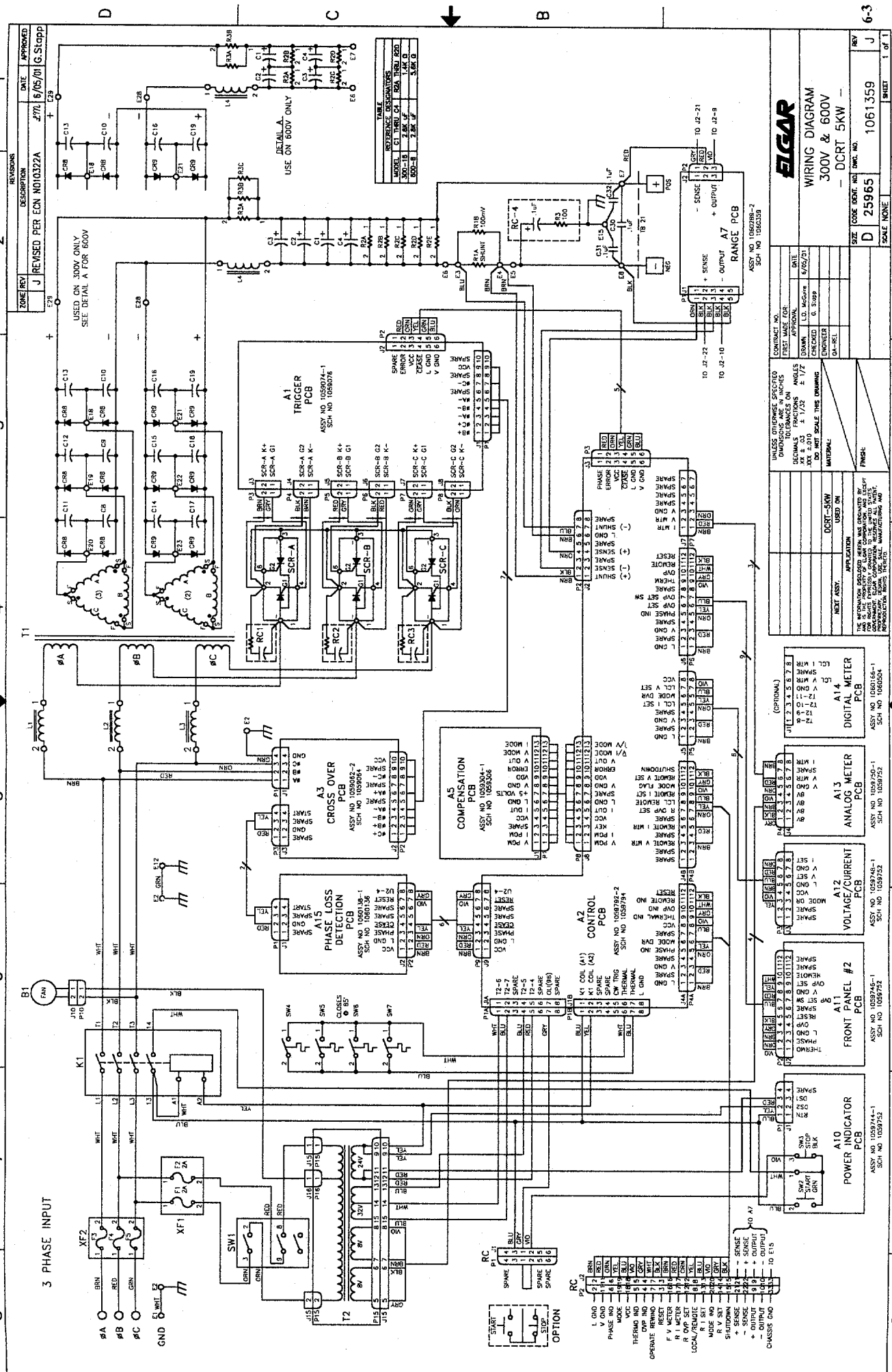
ASSY NO. 1059892-1  
SCH NO. 1059754

ASSY NO. 1059894-1  
SCH NO. 1059754

ASSY NO. 1059896-1  
SCH NO. 1059754

ASSY NO. 1059898-1  
SCH NO. 1059754

ASSY NO. 1059900-1  
SCH NO. 1059754



REVISIONS

ZONE REV	DESCRIPTION	DATE	APPROVED
J	REVISED PER ECN NO.10322A	2/7/85	G. Stapp

TABLE  
RESISTOR VALUES

MODEL	RESISTOR VALUE	TOLERANCE	TEMP. COEFF.
300-10	1.0K Ω	±1%	5.0K PPM
300-15	2.0K Ω	±1%	5.0K PPM
300-20	5.0K Ω	±1%	5.0K PPM

**ELGAR**  
WIRING DIAGRAM  
300V & 600V  
DCRT 5KW

CONTRACT NO. 1061359  
DATE 6/20/81  
DRAWN L.D. McGUIRE  
CHECKED G. STAPP  
ENGINEER J. WELLS

UNLESS OTHERWISE SPECIFIED  
DIMENSIONS IN PARENTHESES ON  
ANGLES  
FRACTIONS  
DECIMALS  
TOLERANCES ON  
AXES ±.010 ±.1/25 ±.1/2  
DO NOT SCALE THIS DRAWING

APPLICATION DCRT-5KW  
MATERIAL USED ON  
NEXT ASSY.

(OPTIONAL)  
DIGITAL METER PCB  
A14  
ASSY NO. 1060166-1  
SCH. NO. 1060554

ANALOG METER PCB  
A13  
ASSY NO. 1059750-1  
SCH. NO. 1059752

VOLTAGE/CURRENT PCB  
A12  
ASSY NO. 1059746-1  
SCH. NO. 1059752

FRONT PANEL #2 PCB  
A11  
ASSY NO. 1059745-1  
SCH. NO. 1059752

POWER INDICATOR PCB  
A10  
ASSY NO. 1059744-1  
SCH. NO. 1059752



Replacement Parts List

Circuit Symbol	DCRT 5KW T1 MODEL										Description	Sorensen Part No.
	55-90					80-62						
	32-155		16-310			110-45		160-30				
A1	X	X	X	X	X	X	X	X	X	X	Printed Circuit Boards	1059074-2
A2	X	X	X	X	X	X	X	X	X	X	Trigger PCB	1059792-2
A3	X	X	X	X	X	X	X	X	X	X	Control PCB	1059792-3
A4	X	X	X	X	X	X	X	X	X	X	Control PCB	1059062-2
A5	X	X	X	X	X	X	X	X	X	X	Crossover PCB	1059304-2
A6	X	X	X	X	X	X	X	X	X	X	Not Used	1059304-1
A7	X	X	X	X	X	X	X	X	X	X	Compensation PCB	1060289-2
A8, A9											Compensation PCB	1060289-1
A10	X	X	X	X	X	X	X	X	X	X	Range PCB	1060289-3
A11	X	X	X	X	X	X	X	X	X	X	Range PCB	1060289-4
A12	X	X	X	X	X	X	X	X	X	X	Range PCB	1060289-5
A13	X	X	X	X	X	X	X	X	X	X	Range PCB	1060289-7
A14	X	X	X	X	X	X	X	X	X	X	Range PCB	1060289-8
A15	X	X	X	X	X	X	X	X	X	X	Range PCB	1060289-11
B1	X	X	X	X	X	X	X	X	X	X	Not Used	1059744-1
											Power Indicator PCB	1059746-1
											Front Panel PCB	1059748-1
											Volt Current Set PCB	1059750-1
											Analog Meter PCB	1060166-1
											Digital Meter PCB	1060138-1
											Phase Loss Detection PCB	1060198-1
											Fan, Cooling, Single Phase	
C1, C2, C3	X	X	X	X	X	X	X	X	X	X	Capacitors (mF unless noted)	1060507-1
											233K, 7.5V	826-204-25
											200K, 25V	1060507-4
											54K, 40V	1060507-5
											32K, 60V	1060507-6
											11K, 100V	1060507-7
											5.7K, 150V	

Replacement Parts List

Circuit Symbol	DCRT 5KW T1 MODEL										Description	Sorensen Part No.
	55-90					80-62						
	32-155		16-310			110-45		160-30				
C1, C2, C3	X	X	X	X	X	X	X	X	X	X	Capacitors Cont'd (mF unless noted)	1060507-8
C4	X	X	X	X	X	X	X	X	X	X	3.4K, 200V	1060507-9
C5	X	X	X	X	X	X	X	X	X	X	2.8k, 350V	1060507-9
C6	X	X	X	X	X	X	X	X	X	X	Not Used	
C7	X	X	X	X	X	X	X	X	X	X	Not Used	
C8 - C19	X	X	X	X	X	X	X	X	X	X	Not Used	
RC1 - RC3	X	X	X	X	X	X	X	X	X	X	Cap. PA .02M, 1400V	24-026
RC4	X	X	X	X	X	X	X	X	X	X	Snubber Assy	5361158-01
											Not Used	
											Assy of Caps. and Res.	1061385-1
CR1 - CR3	X	X	X	X	X	X	X	X	X	X	Diodes	
CR4A	X	X	X	X	X	X	X	X	X	X	Dual SCR 40A, 120V (CD43124D)	1059431-1
CR4B	X	X	X	X	X	X	X	X	X	X	300A, 200V	1060270-02
CR4C	X	X	X	X	X	X	X	X	X	X	R6110230XXZA	1060270-02
CR5A	X	X	X	X	X	X	X	X	X	X	300A, 200V	1060270-02
CR5B	X	X	X	X	X	X	X	X	X	X	R6110230XXZA	1060270-01
CR5C	X	X	X	X	X	X	X	X	X	X	300A, 200V	1060270-01
CR6A	X	X	X	X	X	X	X	X	X	X	R6110230XXZA	1060270-02
CR6B	X	X	X	X	X	X	X	X	X	X	300A, 200V	1060270-02
CR6C	X	X	X	X	X	X	X	X	X	X	R6110230XXZA	1060270-02

Replacement Parts List

Circuit Symbol	DCRT 5KW T1 MODEL						Description	Sorensen Part No.
	55-90		80-62		110-45			
	32-155	16-310	160-30	300-16	600-8			
CR7A	X	X	X	X	X	X	Diodes Cont'd	
	X	X	X	X	X	X	300A, 200V	1060270-01
CR7B	X	X	X	X	X	X	R6110230XXZA	
	X	X	X	X	X	X	300A, 200V	1060270-01
CR7C	X	X	X	X	X	X	R6110230XXZA	
	X	X	X	X	X	X	300A, 200V	1060270-01
	X	X	X	X	X	X	R6110230XXZA	
	X	X	X	X	X	X	Fuse	
F1	X	X	X	X	X	X	Non-Delay, 2A, 250V	1061277-6
F2	X	X	X	X	X	X	Non-Delay, 2A, 250V	1061277-6
F3	X	X	X	X	X	X	Non-Delay, 30A, 250V	1061277-21
F4	X	X	X	X	X	X	Non-Delay, 30A, 250V	1061277-21
F5	X	X	X	X	X	X	Non-Delay, 30A, 250V	1061277-21
K1	X	X	X	X	X	X	Contact, 861-034-24	
	X	X	X	X	X	X	Inductor	
L1	X	X	X	X	X	X	RFI Filter Choke	1060603-1
L2	X	X	X	X	X	X	RFI Filter Choke	1060603-1
L3	X	X	X	X	X	X	RFI Filter Choke	1060603-1
L4	X	X	X	X	X	X	Inductor	1060218-1
	X	X	X	X	X	X	Inductor	1060218-2
	X	X	X	X	X	X	Inductor	1060218-3
	X	X	X	X	X	X	Inductor	1060218-4
	X	X	X	X	X	X	Inductor	1061293-5
	X	X	X	X	X	X	Inductor	1061293-6
	X	X	X	X	X	X	Inductor	1061293-7
	X	X	X	X	X	X	Inductor	1061293-8
	X	X	X	X	X	X	Inductor	1061293-9
	X	X	X	X	X	X	Inductor	1061293-10

Replacement Parts List

Circuit Symbol	DCRT 5KW T1 MODEL						Description	Sorensen Part No.
	55-90		80-62		110-45			
	32-155	16-310	160-30	300-16	600-8			
L5	X	X	X	X	X	X	Inductor Cont'd	
	X	X	X	X	X	X	Inductor	1060218-1
	X	X	X	X	X	X	Inductor	1060218-2
	X	X	X	X	X	X	Inductor	1060218-3
	X	X	X	X	X	X	Inductor	1060218-4
	X	X	X	X	X	X	Inductor	1061293-5
	X	X	X	X	X	X	Inductor	1061293-6
	X	X	X	X	X	X	Inductor	1061293-7
	X	X	X	X	X	X	Inductor	1061293-8
	X	X	X	X	X	X	Inductor	1061293-9
	X	X	X	X	X	X	Inductor	1061293-10
R1A	X	X	X	X	X	X	Resistors (ohms unless noted)	
	X	X	X	X	X	X	Shunt, 50mV, 400A	1060249-13
	X	X	X	X	X	X	Shunt, 50mV, 310A	1060249-11
	X	X	X	X	X	X	Shunt, 50mV, 155A	1060249-7
	X	X	X	X	X	X	Shunt, 50mV, 90A	1060249-5
	X	X	X	X	X	X	Shunt, 50mV, 62A	1060249-4
	X	X	X	X	X	X	Shunt, 50mV, 45A	1060249-3
	X	X	X	X	X	X	Shunt, 50mV, 31A	1060249-2
	X	X	X	X	X	X	Shunt, 50mV, 15A	1060249-1
R1A	X	X	X	X	X	X	Resistors (ohms unless noted)	
	X	X	X	X	X	X	Shunt, 50mV, 400A	1060249-13
	X	X	X	X	X	X	Shunt, 50mV, 310A	1060249-11
	X	X	X	X	X	X	Shunt, 50mV, 155A	1060249-7
	X	X	X	X	X	X	Shunt, 50mV, 90A	1060249-5
	X	X	X	X	X	X	Shunt, 50mV, 62A	1060249-4
	X	X	X	X	X	X	Shunt, 50mV, 45A	1060249-3
	X	X	X	X	X	X	Shunt, 50mV, 31A	1060249-2
	X	X	X	X	X	X	Shunt, 50mV, 15A	1060249-1
R1B	X	X	X	X	X	X	Resistors (ohms unless noted)	
	X	X	X	X	X	X	Shunt, 50mV, 400A	1060249-13
	X	X	X	X	X	X	Shunt, 50mV, 310A	1060249-11
	X	X	X	X	X	X	Shunt, 50mV, 155A	1060249-7
	X	X	X	X	X	X	Shunt, 50mV, 90A	1060249-5
	X	X	X	X	X	X	Shunt, 50mV, 62A	1060249-4
	X	X	X	X	X	X	Shunt, 50mV, 45A	1060249-3
	X	X	X	X	X	X	Shunt, 50mV, 31A	1060249-2
	X	X	X	X	X	X	Shunt, 50mV, 15A	1060249-1



Replacement Parts List

Circuit Symbol	DCRT 5KW T1 MODEL						Description	Sorensen Part No.
	55-90		80-62		110-45			
	32-155	16-310	8-400	4-800	160-30	300-16		
R2A	X	X					Resistors Cont'd (ohms unless noted)	
							33, 95W, 10%	1059432-12
							1.5, 95W, 10%	1059432-14
							4, 95W, 5%	1059432-1
							16, 95W, 5%	1059432-3
							47, 95W, 5%	1059432-4
							100, 95W, 5%	1059432-5
							190, 95W, 5%	1059432-6
							400, 95W, 5%	1059432-7
							1.4K, 95W, 5%	1059432-8
							5.6K, 95W, 5%	1059432-9
							33, 95W, 10%	1059432-12
							1.5, 95W, 10%	1059432-14
							4, 95W, 5%	1059432-1
R2B	X	X					16, 95W, 5%	1059432-3
							47, 95W, 5%	1059432-4
							100, 95W, 5%	1059432-5
							190, 95W, 5%	1059432-6
							400, 95W, 5%	1059432-7
							1.4K, 95W, 5%	1059432-8
							5.6K, 95W, 5%	1059432-9
							33, 95W, 10%	1059432-12
							1.5, 95W, 10%	1059432-14
							4, 95W, 5%	1059432-1
							16, 95W, 5%	1059432-3
							47, 95W, 5%	1059432-4
							100, 95W, 5%	1059432-5
							190, 95W, 5%	1059432-6
						400, 95W, 5%	1059432-7	
						1.4K, 95W, 5%	1059432-8	
						5.6K, 95W, 5%	1059432-9	
R2C	X	X					100, 95W, 5%	1059432-5
							Included in RC1, RC2 and RC3 packages.	
							(ohms unless noted)	
R2D								

Replacement Parts List

Circuit Symbol	DCRT 5KW T1 MODEL						Description	Sorensen Part No.	
	55-90		80-62		110-45				
	32-155	16-310	8-400	4-800	160-30	300-16			600-8
SW1	X	X	X	X	X	X	Switch		
							Toggle Switch	1059427-1	
							Start, SPDT	1059806-1	
							Stop, SPDT	1059806-2	
							Thermostat	1058402-3	
							Thermostat	1058402-3	
							Thermostat	1058402-3	
T1							Transformer		
	X	X					Power Transformer	1060492-1	
							Power Transformer	1060492-4	
							Power Transformer	1061240-11	
							Power Transformer	1061240-16	
							Power Transformer	1061240-21	
							Control Transformer	1061303-1	
T2							Misc.		
	X	X	X	X	X	X	Remoted Jack (.093)	1060157-20	
	X	X	X	X	X	X	Female Pins (.093)	1059564-3	
	X	X	X	X	X	X	Remoted Conn. Assy (.093)	1060157-10	
	X	X	X	X	X	X	Male Pins (.093)	1059564-4	
	X	X	X	X	X	X	Control Jack (.062)	856-136-36	
	X	X	X	X	X	X	Female Pin (.062)	589657-15	
J1	X	X	X	X	X	X	Control Plug (.062)	1063091-1	
	X	X	X	X	X	X	Male Pins (.062)	1061355-1	
	X	X	X	X	X	X	Top Front Panel	1060214-40	
	X	X	X	X	X	X	Bottom Front Panel	1059739-40	
	X	X	X	X	X	X	Base	1061167-60, -62	
	X	X	X	X	X	X	Side R.H. Panel	1061183-60	
	X	X	X	X	X	X	Side L.H. Panel	1061183-61	
	X	X	X	X	X	X	Rear Panel	1061169-60	
	X	X	X	X	X	X	Cover	1061184-70	
	X	X	X	X	X	X	Upper Deck	1061365-60	
	X	X	X	X	X	X	Fuseblock (F1, F2)	1061276-1	
	X	X	X	X	X	X	Fuseblock (F3, F4, F5)	1061276-2	
	XF1								
XF2									

Replacement Parts List

Circuit Symbol	DCRT 5KW T2 MODEL					Description	Sorensen Part No.
	55-90	32-155	16-310	8-400	4-800		
						Note: Same as DCRT T1 with the following exceptions:	
A1	X	X	X	X	X	PCB	
A3	X	X	X	X	X	Trigger PCB	1059074-2
						Crossover PCB	1059062-2
F1	X	X	X	X	X	Fuses	
F2	X	X	X	X	X	KLK2, 600V, 2A	1058990-3
F3	X	X	X	X	X	KLK2, 600V, 2A	1058990-3
F4	X	X	X	X	X	KLK20, 600V, 20A	1058990-16
F5	X	X	X	X	X	KLK20, 600V, 20A	1058990-16
						Diodes	
CR4A thru 4C	X	X	X	X	X	300A, 200V	1060270-2
						R6110230XXZA	
						236A, 600V	1059426-4
						R5110615XXZT	
CR5A thru 5C	X	X	X	X	X	300A, 200V	1060270-1
						R6100230XXZA	
						236A, 600V	1059426-3
						R5100615XXZT	
CR6A thru 6C	X	X	X	X	X	Bridge, 100A, Pot 100-10	1061446-1
						300A, 200V	1060270-2
						R6110230XXZA	
						236A, 600V	1059426-4
						R5110615XXZT	
CR7A thru 7C	X	X	X	X	X	300A, 200V	1060270-1
						R6100230XXZA	
						236A, 600V	1059426-3
						R5100615XXZT	
						Bridge, 100A, Pot 100-10	1061446-1

Replacement Parts List

Circuit Symbol	DCRT 5KW T2 MODEL					Description	Sorensen Part No.
	55-90	32-155	16-310	8-400	4-800		
						Transformer	
T1	X	X	X	X	X	Power Transformer	1060492-2
						Power Transformer	1060492-5
						Power Transformer	1061240-12
						Power Transformer	1061240-17
T2	X	X	X	X	X	Power Transformer	1061240-22
						Control Transformer	1061303-2

Replacement Parts List

Circuit Symbol	DCRT 5KW T3 MODEL						Description	Sorensen Part No.
	55-90		80-62					
	32-155	16-310	110-45	160-30	300-16	600-8		
T1	X	X					Transformer	1060492-3
	X		X				Power Transformer	1060492-6
				X			Power Transformer	1061240-13
					X		Power Transformer	1061240-18
						X	Control Transformer	1061303-3
T2	X	X						
	X		X					
				X				
					X			
						X		

Replacement Parts List

Circuit Symbol	DCRT 5KW T3 MODEL						Description	Sorensen Part No.
	55-90		80-62					
	32-155	16-310	110-45	160-30	300-16	600-8		
A1	X	X	X	X	X	X	Trigger	1059074-3
A3	X	X	X	X	X	X	Crossover PCB	1059062-3
F1	X	X	X	X	X	X	Fuses KLK2, 600V, 2A	1058990-3
F2	X	X	X	X	X	X		1058990-3
F3	X	X	X	X	X	X		1058990-16
F4	X	X	X	X	X	X		1058990-16
F5	X	X	X	X	X	X		1058990-16
CR4A thru 4C	X	X	X				Diodes 300A, 200V R6110230XXZA 236A, 600V R5110615XXZT	1060270-2
				X				1059426-4
CR5A thru 5C	X	X	X					1060270-1
				X				1059426-3
					X			1061446-1
CR6A thru 6C	X	X	X				Bridge, 100A, Pot 100-10 300A, 200V R6110230XXZA 236A, 600V R5110615XXZT	1060270-2
				X				1059426-4
					X			1060270-1
CR7A thru 7C	X	X	X					1059426-3
				X				1061446-1

Replacement Parts List

Circuit Symbol	DCRT 5KW T5 MODEL					Description	Sorensen Part No.
	80-62						
	55-90	32-155	16-310	8-400	4-800		
K1						Contactors,	861-034-24
		X				Inductor	
L1						RFI Filter Choke	1060603-1
		X				RFI Filter Choke	1060603-1
		X				RFI Filter Choke	1060606-1
		X				Inductor	1060218-3
		X				Inductor	1060218-4
L2						Inductor	1061293-7
		X				Inductor	1060218-3
		X				Inductor	1060218-4
L3						Resistors (ohms unless noted)	
		X				Shunt, 50mV, 310A	1060249-11
L4						Shunt, 50mV, 155A	1060249-7
		X				Shunt, 50mV, 45A	1060249-3
L5						Shunt, 50mV, 310A	1060249-11
		X				Shunt, 50mV, 155A	1060249-7
R1A						Shunt, 50mV, 45A	1060249-3
		X				1, 95W, 5%	1059432-1
R1B						16, 95W, 5%	1059432-3
		X				190, 95W, 5%	1059432-6
R2A						1, 95W, 5%	1059432-1
		X				16, 95W, 5%	1059432-3
R2B						190, 95W, 5%	1059432-6
		X				1, 95W, 5%	1059432-1
R2C						16, 95W, 5%	1059432-3
		X				190, 95W, 5%	1059432-6
R4						Included in RC1, RC2 and RC3 packages.	
R5							
R6							

Circuit Symbol	DCRT 5KW T5 MODEL					Description	Sorensen Part No.
	80-62						
	55-90	32-155	16-310	8-400	4-800		
B1						Fan Cooling, 240V 255 CFM	1060198-1
C1, C2, C3						Capacitors (mF unless noted)	
		X				200K, 25V	826-204-25
		X				54K, 40V	1060507-4
		X				5.7K, 150V	1060507-7
		X				Not Used	
C4						Not Used	
C5						Not Used	
C6						Not Used	
C7						Not Used	
C8 thru C19						Not Used	
RC1						Cap. PA, .02M, 1400V	24-026
RC2						Saubber Assy	5361158-01
RC3						Saubber Assy	5361158-01
RC4						Not Used	
						Saubber Assy	5361158-01
CR1 thru CR3						Diodes	
		X				Dual SCR, 40A, 120V	1059432-1
CR4 - C						300A, 200V	1060270-02
CR5A - C						R6110230XXZA	
		X				300A, 200V	1060270-01
CR6A - C						R6100230XXZA	
		X				300A, 200V	1060270-02
CR7A - C						R6110230XXZA	
		X				300A, 200V	1060270-01
						R6100230XXZA	
F1						Fuses	
F2						Non-Delay, 1A, 600V	1058990-1
F3						Non-Delay, 1A, 600V	1058990-1
F4						Non-Delay, 20A, 600V	1058990-16
F5						Non-Delay, 20A, 600V	1058990-16
						Non-Delay, 20A, 600V	1058990-16

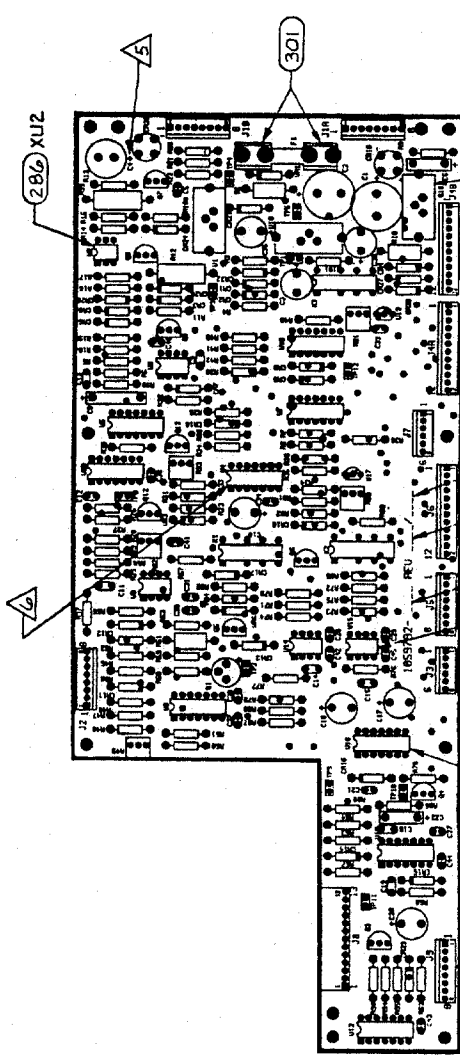
Replacement Parts List

Circuit Symbol	DCRT 5KW T5 MODEL						Description	Sorensen Part No.
	55-90		80-62					
	32-155	16-310	110-45	160-30	300-16	600-8		
SW1	X	X					Toggle Switch	1059427-1
SW2	X	X					Start, SPDT	1059806-1
SW3	X	X					Stop, SPDT	1059806-2
SW4	X	X					Thermostat, 10A, 240VAC	1058402-3
SW5	X	X					Thermostat, 10A, 240VAC	1058402-3
SW6	X	X					Thermostat, 10A, 240VAC	1058402-3
SW7	X	X					Thermostat, 10A, 240VAC	1058402-3
T1	X	X					Transformer	
T2	X	X					Power Transformer	1060492-8
							Power Transformer	1061240-15
							Control Transformer	1061303-5
J1	X	X					Misc.	
P1	X	X					Remoted Jack (.093)	1060157-20
J2	X	X					Female Pins (.093)	1059564-3
P2	X	X					Remoted Conn. Assy (.093)	1060157-10
	X	X					Male Pins (.093)	1059564-4
	X	X					Control Jack (.062)	856-136-36
	X	X					Female Pin (.062)	589657-15
	X	X					Control Plug (.062)	1063091-1
	X	X					Male Pins (.062)	1061355-1

NOTES:

1. REFERENCE SCHEMATIC NUMBER 1059794.
2. ELECTRICAL COMPONENTS ARE KEYED TO PARTS LIST BY REFERENCE DESIGNATORS.
3. INK STAMP APPROPRIATE REVISION LEVEL USING BLACK EPOXY INK.
4. REFERENCE TEST PROCEDURE 1040143.
5. POLARITY INDICATOR FOR BOTH C4 AND CR20.
6. INSTALL OVP PWB 536180-01 FROM J1-PIN1 TO U4-PIN1. INSTALLED AT FINAL ASSEMBLY.
7. FOR MODIFICATION INSTRUCTIONS SEE SHEET 2.

ZONE LTR	DESCRIPTION	DATE	APPROVED
L	REVISED AND REDRAWN PER ECN N990298	3/10/79	[Signature]



(286) XU2

(287) XU3, XU9, XU14, XU15

(289) XU5, XU6, XU7, XU8, XU10, XU12, XU13, XU16

(300) 3 PL AS SHOWN

(301)

3 BILL OF MAT'L REV LEVEL

3 ASSY REV LEVEL

3 ASSY DASH LEVEL

ALL COMPONENTS 1/2 WATT OR LARGER MUST BE ELEVATED OFF THE PCB A HEIGHT EQUAL TO THE BODY DIAMETER OF THE COMPONENT

SEE SEPARATE PARTS LISTS 1059792-1, -2, -3

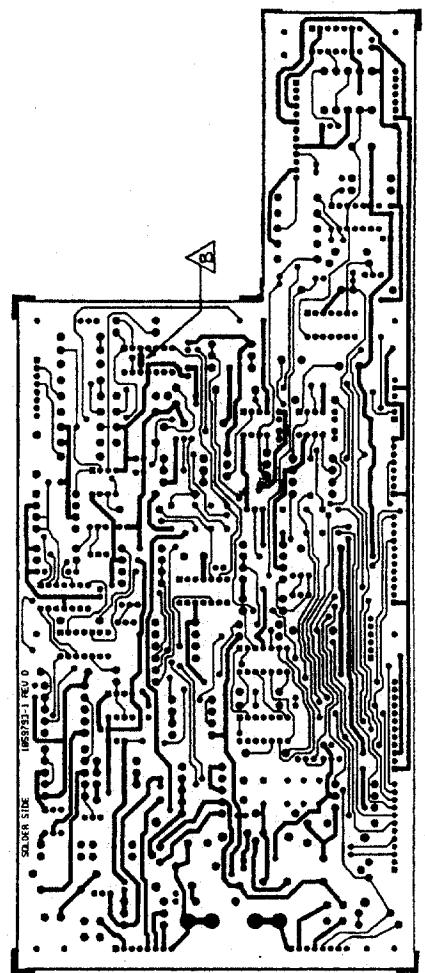
<b>ELGAR</b>	
ASSEMBLY, PCB, CONTROL BOARD, DCRT A2	
CONTRACT NO	1059792
FIRST MADE FOR	
APPROVAL	
DATE	
DRAWN	J. MARSH 4/22/68
CHECKED	BRUNSWICK 4/22/68
PROOFING	
QA REL	
UNLESS OTHERWISE SPECIFIED DIMENSIONS ARE IN INCHES	
TOLERANCES	
DECIMALS	± 0.01
FRACTIONS	± 1/32
ANGLES	± 1/2°
XX ± 0.005	
XXX ± 0.010	
DO NOT SCALE THIS DRAWING	
MATERIAL	
APPLICATION	USED ON
1059247-02	DCRT
NEXT ASSY	
FINISH	
THE INFORMATION DISCLOSED HEREIN WAS ORIGINATED BY AND IS THE PROPERTY OF ELGAR CORPORATION AND ELGAR CORPORATION, ELGAR CORPORATION RESERVES ALL PATENT, TRADE SECRET, AND COPYRIGHT RIGHTS IN THE MANUFACTURING AND REPRODUCTION RIGHTS HEREIN.	
SIZE	C
CODE IDENT NO	25965
DRAWING NO	1059792
REV	L
SHEET	1 OF 2

4 3 2 1

**MODIFICATION INSTRUCTIONS (SOLDER SIDE):**

- A. WORKMANSHIP IN ACCORDANCE WITH ELGAR DOCUMENT 0050004.
- △ FOR -2 AND -4 ONLY: INSTALL C46 (ITEM 12) FROM U8-3 TO U8-12 AS SHOWN.

REVISIONS		DATE	APPROVED
ZONE LTR	DESCRIPTION		
SEE SHEET 1			



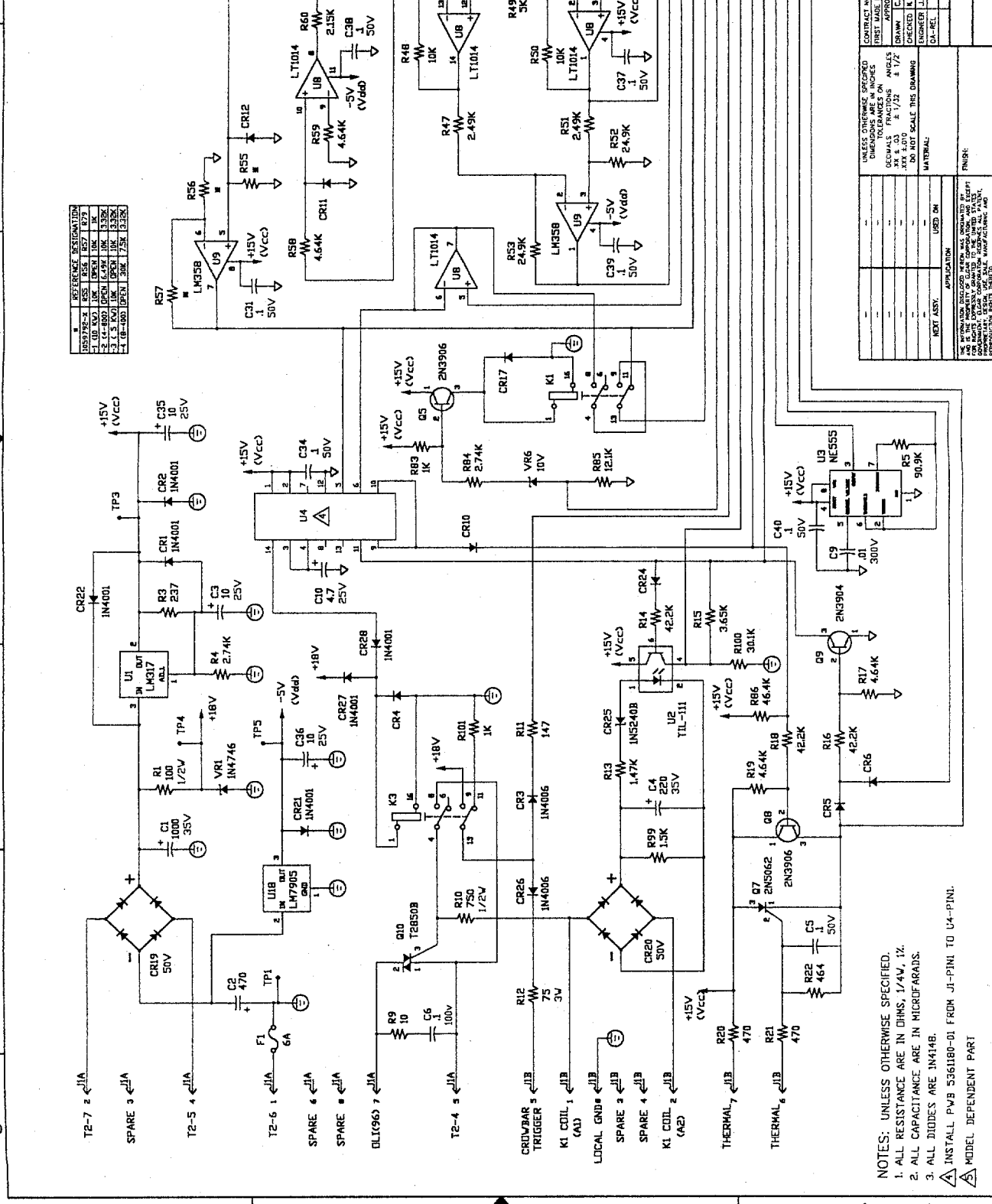
UNLESS OTHERWISE SPECIFIED DIMENSIONS ARE IN INCHES DECIMALS - FRACTIONS ANGLES ± 1/20 ± 1/32 ± 1/20		CONTRACT NO	
		FIRST MADE FOR	
DRAWN		APPROVAL	
CHECKED		DATE	
PROJECT ENG			
OR REL			
MATERIAL			
NEXT ASSY		USED ON	
APPLICATION		FINISH	
<p>THE INFORMATION DISCLOSED HEREIN WAS ORIGINATED BY AND IS THE PROPERTY OF ELGAR CORPORATION AND IS NOT TO BE REPRODUCED OR TRANSMITTED IN ANY FORM OR BY ANY MEANS, ELECTRONIC OR MECHANICAL, INCLUDING PHOTOCOPYING, RECORDING, OR BY ANY INFORMATION STORAGE AND RETRIEVAL SYSTEM, WITHOUT THE WRITTEN PERMISSION OF ELGAR CORPORATION. ALL RIGHTS RESERVED.</p>			
SIZE	CODE IDENT NO	DRAWING NO	REV
C	25965	1059792	L
SCALE 1/1			SHEET 2 OF 2

**ELGAR**

1059792

ZONE (REV)	DESCRIPTION	DATE	APPROVED
-	ORIGINATED	8/28/88	MSB
A	REV TO PRODUCTION REV ECO 864076	8/28/88	MSB
B	REVISED PER ECO 871414	8/28/88	MSB
C	REVISED PER ECO 872137	8/28/88	MSB
D	REVISED PER ECO 872169	8/28/88	MSB
E	REVISED PER ECO 874008	8/28/88	MSB
F	REVISED PER ECO 884037	9/09/88	MSB
G	REVISED PER ECO 884075	9/11/88	MSB
H	REVISED PER ECO 834988	8/40/83	MSB
J	REVISED PER ECO 874145	9/20/81	MSB
K	REVISED PER ECO 884153 RH 4/7/86	4/7/86	MSB
L	REVISED PER ECO 884153 RH 12/7/86	12/7/86	MSB

RESISTOR	REFERENCE DESIGNATION	VALUE	TOLERANCE	TEMPERATURE COEFFICIENT
1	10K	10K	±1%	±100
2	100K	100K	±1%	±100
3	10K	10K	±1%	±100
4	100K	100K	±1%	±100
5	10K	10K	±1%	±100
6	100K	100K	±1%	±100
7	10K	10K	±1%	±100
8	100K	100K	±1%	±100
9	10K	10K	±1%	±100
10	100K	100K	±1%	±100



NOTES: UNLESS OTHERWISE SPECIFIED.  
 1. ALL RESISTANCE ARE IN OHMS, 1/4W, 1%.  
 2. ALL CAPACITANCE ARE IN MICROFARADS.  
 3. ALL DIODES ARE IN4148.  
 4. INSTALL PWB 5361180-01 FROM JP-PIN1 TO U4-PIN1.  
 5. MODEL DEPENDENT PART



CONTRACT NO.	DATE
---	---

DESIGNED BY	CHECKED BY	ENGINEER	DATE
C. HAYWARD	K. LUDWIG	J. MALINGER	8/28/88

APPROVAL	DATE
---	---

UNLESS OTHERWISE SPECIFIED, DIMENSIONS ARE IN INCHES. DECIMAL FRACTIONS ON DRAWING SHALL BE TO ± 0.005. DIMENSIONS ON DRAWING SHALL BE TO ± 0.005. DIMENSIONS ON DRAWING SHALL BE TO ± 0.005. DIMENSIONS ON DRAWING SHALL BE TO ± 0.005.

SCALE: DO NOT SCALE THIS DRAWING.

FINISH: MATERIAL: NEXT ASSY: USED ON:

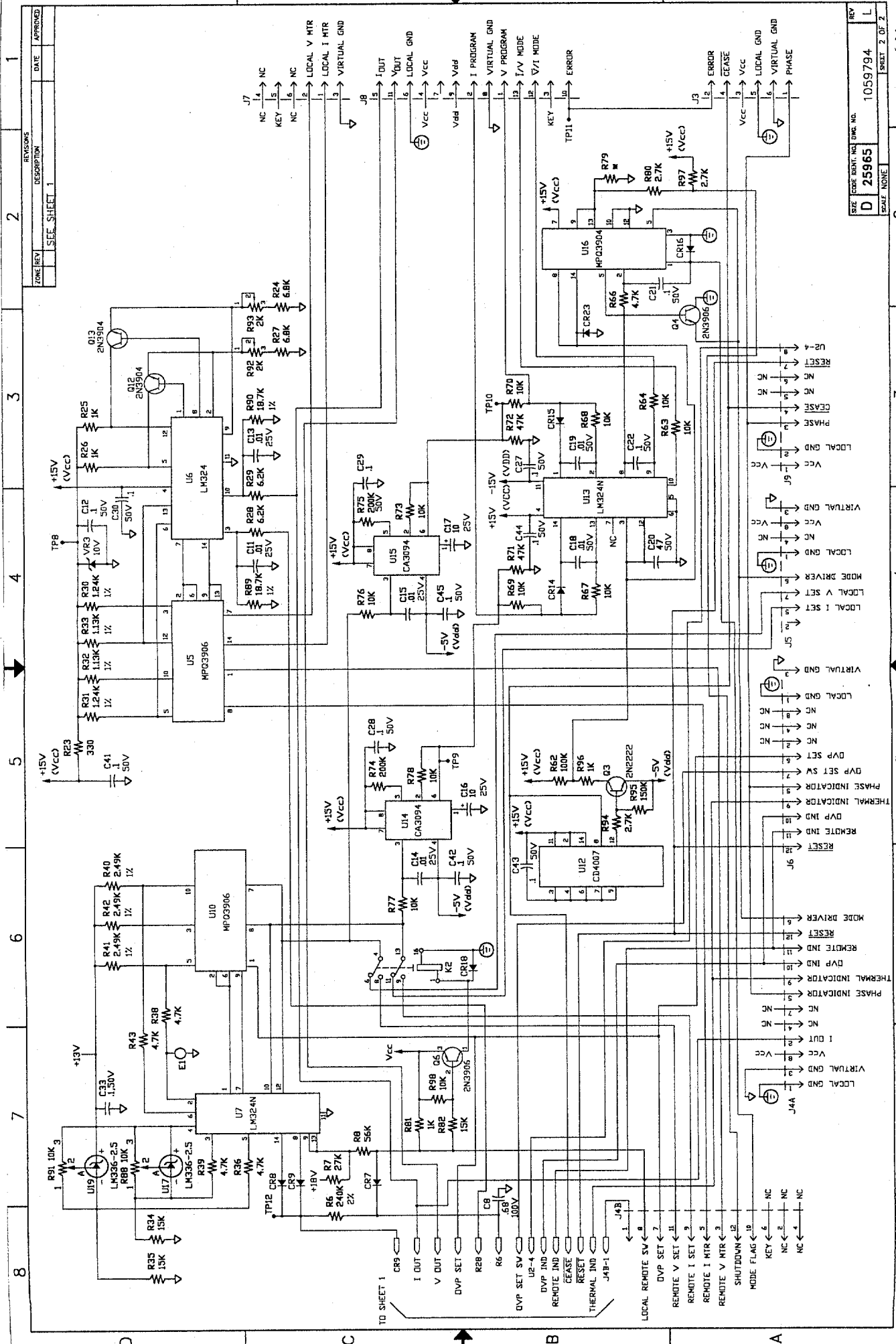
SCHEMATIC CONTROL BOARD

SIZE: CODE: D 25965

REV: 1059794

SHEET 1 OF 2





ZONE	REV	DESCRIPTION	DATE	APPROVED
1	1	SEE SHEET 1		

FILE CODE: 25965  
 D 25965  
 SCALE: NONE  
 SHEET 2 OF 2

TO SHEET 1  
 LOCAL REMOTE SV ← 7  
 DVP SET SV ← 8  
 DVP IND ← 9  
 REMOTE IND ← 10  
 CEASE ← 11  
 THERMAL IND ← 12  
 JAB-1 ← 13  
 J4B ← 14  
 MODE FLAG ← 15  
 SHUTDOWN ← 16  
 REMOTE V MTR ← 17  
 REMOTE I MTR ← 18  
 REMOTE I SET ← 19  
 DVP SET ← 20  
 THERMAL INDICATOR ← 21  
 PHASE INDICATOR ← 22  
 DVP SET SV ← 23  
 DVP IND ← 24  
 REMOTE IND ← 25  
 REMOTE INDICATOR ← 26  
 PHASE INDICATOR ← 27  
 DVP SET SV ← 28  
 DVP IND ← 29  
 REMOTE IND ← 30  
 REMOTE INDICATOR ← 31  
 PHASE INDICATOR ← 32  
 LOCAL GND ← 33  
 LOCAL GND ← 34  
 LOCAL GND ← 35  
 LOCAL GND ← 36  
 LOCAL GND ← 37  
 LOCAL GND ← 38  
 LOCAL GND ← 39  
 LOCAL GND ← 40  
 LOCAL GND ← 41  
 LOCAL GND ← 42  
 LOCAL GND ← 43  
 LOCAL GND ← 44  
 LOCAL GND ← 45  
 LOCAL GND ← 46  
 LOCAL GND ← 47  
 LOCAL GND ← 48  
 LOCAL GND ← 49  
 LOCAL GND ← 50  
 LOCAL GND ← 51  
 LOCAL GND ← 52  
 LOCAL GND ← 53  
 LOCAL GND ← 54  
 LOCAL GND ← 55  
 LOCAL GND ← 56  
 LOCAL GND ← 57  
 LOCAL GND ← 58  
 LOCAL GND ← 59  
 LOCAL GND ← 60  
 LOCAL GND ← 61  
 LOCAL GND ← 62  
 LOCAL GND ← 63  
 LOCAL GND ← 64  
 LOCAL GND ← 65  
 LOCAL GND ← 66  
 LOCAL GND ← 67  
 LOCAL GND ← 68  
 LOCAL GND ← 69  
 LOCAL GND ← 70  
 LOCAL GND ← 71  
 LOCAL GND ← 72  
 LOCAL GND ← 73  
 LOCAL GND ← 74  
 LOCAL GND ← 75  
 LOCAL GND ← 76  
 LOCAL GND ← 77  
 LOCAL GND ← 78  
 LOCAL GND ← 79  
 LOCAL GND ← 80  
 LOCAL GND ← 81  
 LOCAL GND ← 82  
 LOCAL GND ← 83  
 LOCAL GND ← 84  
 LOCAL GND ← 85  
 LOCAL GND ← 86  
 LOCAL GND ← 87  
 LOCAL GND ← 88  
 LOCAL GND ← 89  
 LOCAL GND ← 90  
 LOCAL GND ← 91  
 LOCAL GND ← 92  
 LOCAL GND ← 93  
 LOCAL GND ← 94  
 LOCAL GND ← 95  
 LOCAL GND ← 96  
 LOCAL GND ← 97  
 LOCAL GND ← 98  
 LOCAL GND ← 99  
 LOCAL GND ← 100

Replacement Parts List

Circuit Symbol	DCRT PCB CONTROL BOARD (A2)						Description	Sorensen Part No.
	55-90		80-62		600-8			
	32-155	16-310	8-400	4-800	110-45	160-30		
C1	X	X	X	X	X	X	Assy PCB Control (A2)	1059792-2
C2	X	X	X	X	X	X	Assy PCB Control (A2)	1059792-3
C3	X	X	X	X	X	X	Printed Circuit Board	1059793-1
C4	X	X	X	X	X	X	Schematic	1059794
C5	X	X	X	X	X	X	Capacitors (mF unless noted)	
C6	X	X	X	X	X	X	1000, 35V	1059557-27
C7	X	X	X	X	X	X	470, 25V	1059557-30
C8	X	X	X	X	X	X	10, 25V	235-7395P65
C9	X	X	X	X	X	X	220, 35V	1059557-23
C10	X	X	X	X	X	X	0.1, 50V	980707-3
C11	X	X	X	X	X	X	0.1, 100V	24-2037-7
C12	X	X	X	X	X	X	Not Used	
C13, C14, C15	X	X	X	X	X	X	0.68, 100V	24-2037-17
C16	X	X	X	X	X	X	0.01, 300V	235-7361P2
C17	X	X	X	X	X	X	Not Used	
C18, C19	X	X	X	X	X	X	0.01, 300V	235-7361P2
C20	X	X	X	X	X	X	0.01, 50V	235-7395P69
C21	X	X	X	X	X	X	46, 25V	235-7395P69
C22	X	X	X	X	X	X	0.1, 50V	980707-3
C23 Thru C26	X	X	X	X	X	X	0.1, 100V	24-2037-7
C27 Thru C31	X	X	X	X	X	X	Not Used	
C32	X	X	X	X	X	X	0.1, 50V	980707-3
C33, C34	X	X	X	X	X	X	Not Used	
C35	X	X	X	X	X	X	0.1, 50V	980707-3
C36	X	X	X	X	X	X	10.0, 25V	235-7395P65
C37 Thru C45	X	X	X	X	X	X	10.0, 25V	980707-3
C46	X	X	X	X	X	X	0.1, 50V	980707-3
							0.1, 100V	CC-104D-09

Replacement Parts List

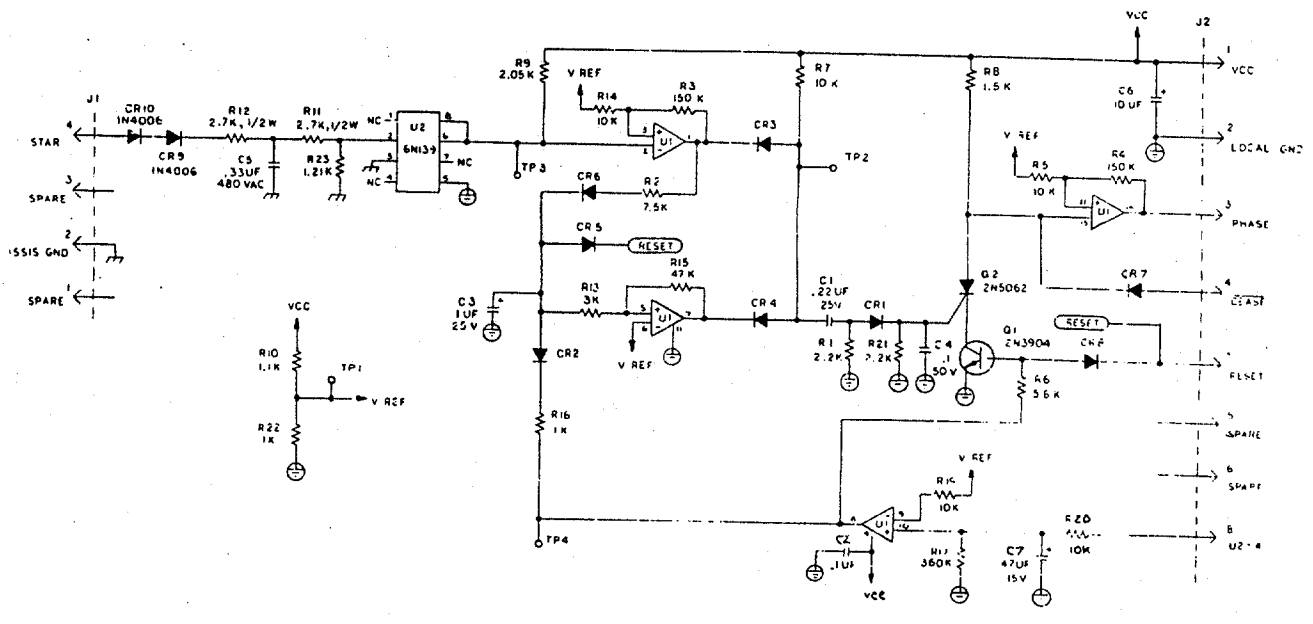
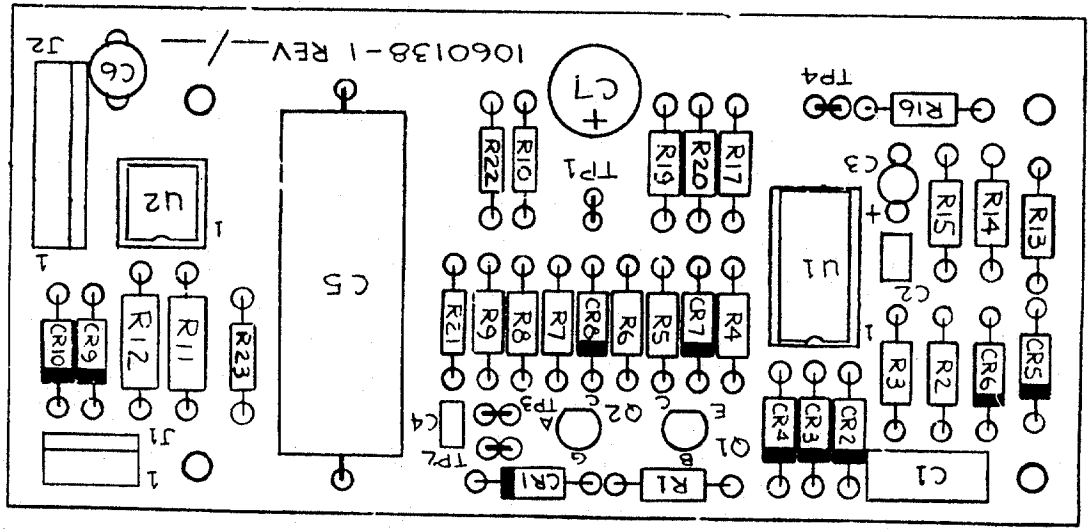
Circuit Symbol	DCRT PCB CONTROL BOARD (A2)						Description	Sorensen Part No.
	55-90		80-62		600-8			
	32-155	16-310	8-400	4-800	110-45	160-30		
CR1, CR2, CR3	X	X	X	X	X	X	Diodes	
CR4 thru CR12	X	X	X	X	X	X	1N4001	322-7236P1
CR13	X	X	X	X	X	X	1N4006	322-7236P6
CR14 thru CR18	X	X	X	X	X	X	1N4148	322-7220P1
CR19, CR20	X	X	X	X	X	X	1N4001	322-7236P1
CR21, CR22	X	X	X	X	X	X	Bridge, 1.5A	1034027-1
CR23, CR24	X	X	X	X	X	X	1N4001	322-7236P1
CR25	X	X	X	X	X	X	1N4148	322-7220P1
CR26	X	X	X	X	X	X	1N5240B	588101-13
CR27, CR28	X	X	X	X	X	X	1N4006	322-7236P6
VR1	X	X	X	X	X	X	1N4001	322-7236P1
VR3, VR6	X	X	X	X	X	X	1N4746A	588102-18
							1N5240B	588101-13
							Resistors (ohms, ±1% unless noted)	
R1	X	X	X	X	X	X	100, 1/2W	1063040-26
R2	X	X	X	X	X	X	Not Used	
R3	X	X	X	X	X	X	237, 1/4W	586055-44
R4	X	X	X	X	X	X	2.74K, 1/4W	586055-95
R5	X	X	X	X	X	X	90K, 1/4W	586055-168
R6	X	X	X	X	X	X	240K, 1/4W, ±2%	585108-197
R7	X	X	X	X	X	X	27.4K, 1/4W	586055-143
R8	X	X	X	X	X	X	56.2K, 1/4W	586055-158
R9	X	X	X	X	X	X	10, 1/4W	586055-226
R10	X	X	X	X	X	X	750, 1/2W	1063040-68
R11	X	X	X	X	X	X	147, 1/4W	586055-34
R12	X	X	X	X	X	X	75, 3W, ±2%	167401-86
R13	X	X	X	X	X	X	1.47K, 1/4W	586055-82
R14	X	X	X	X	X	X	42.2K, 1/4W	586055-152
R15	X	X	X	X	X	X	3.65K, 1/4W	586055-101
R16	X	X	X	X	X	X	42.2K, 1/4W	586055-152
R17	X	X	X	X	X	X	4.64K, 1/4W	586055-106
R18	X	X	X	X	X	X	42.2K, 1/4W	586055-152

Replacement Parts List

Circuit Symbol	DCRT PCB CONTROL BOARD (A2)								Description	Sorensen Part No.
	55-90	32-155	16-310	8-400	4-800	80-62	110-45	160-30		
Q10	X	X	X	X	X	X	X	X	T2850B	1059402-1
Q11									Not Used	
Q12, Q13	X	X	X	X	X	X	X	X	2N3904	18-166
U1	X	X	X	X	X	X	X	X	LM317T	984405-1
U2	X	X	X	X	X	X	X	X	TIL111	586463-1
U3	X	X	X	X	X	X	X	X	NE555	587995-1
U4									Not Used	
U5	X	X	X	X	X	X	X	X	TPQ3906	1059393-2
U6, U7	X	X	X	X	X	X	X	X	LM324N	980100-1
U8	X	X	X	X	X	X	X	X	LT1014	849-101-4C
U9	X	X	X	X	X	X	X	X	LM358	1058985-4
U10	X	X	X	X	X	X	X	X	TPQ3906	1059393-2
U11									Not Used	
U12	X	X	X	X	X	X	X	X	CD4007UBE	1059398-1
U13	X	X	X	X	X	X	X	X	LM324N	980100-1
U14, U15	X	X	X	X	X	X	X	X	CA3094	980717-1
U16	X	X	X	X	X	X	X	X	TPQ3904	1059393-1
U17	X	X	X	X	X	X	X	X	LM336BZ	1058982-1
U18	X	X	X	X	X	X	X	X	LM7905	980724-3
U19	X	X	X	X	X	X	X	X	LM336BZ	1058982-1
XU1									Not Used	
XU2	X	X	X	X	X	X	X	X	IC Socket 6 Pin	G260154-1
XU3	X	X	X	X	X	X	X	X	IC Socket 8 Pin	G260154-2
XU4 thru XU8	X	X	X	X	X	X	X	X	IC Socket 14 Pin	G260154-4
XU9	X	X	X	X	X	X	X	X	IC Socket 8 Pin	G260154-2
XU10	X	X	X	X	X	X	X	X	IC Socket 14 Pin	G260154-4
XU11									Not Used	
XU12, XU13	X	X	X	X	X	X	X	X	IC Socket 14 Pin	G260154-4
XU14, XU15	X	X	X	X	X	X	X	X	IC Socket 8 Pin	G260154-2
XU16	X	X	X	X	X	X	X	X	IC Socket 14 Pin	G260154-4

Replacement Parts List

Circuit Symbol	DCRT PCB CONTROL BOARD (A2)								Description	Sorensen Part No.
	55-90	32-155	16-310	8-400	4-800	80-62	110-45	160-30		
11A, 11B, 12	X	X	X	X	X	X	X	X	PCB Connectors	
13	X	X	X	X	X	X	X	X	8 Pin Header	1058179-5
14A, 14B	X	X	X	X	X	X	X	X	6 Pin Header	1058179-4
15	X	X	X	X	X	X	X	X	12 Pin Header	1058179-7
16	X	X	X	X	X	X	X	X	8 Pin Header	1058179-5
17	X	X	X	X	X	X	X	X	12 Pin Header	1058179-7
18	X	X	X	X	X	X	X	X	6 Pin Header	1058179-4
19	X	X	X	X	X	X	X	X	13 Pin Right Angle	1059556-1
	X	X	X	X	X	X	X	X	8 Pin Header	1058179-5
									Miscellaneous	
K1, K2, K3	X	X	X	X	X	X	X	X	T82S11D114-1, Relay	1059762-1
F1	X	X	X	X	X	X	X	X	250V, Fusc, 6A	226-7176P58



Replacement Parts List

Circuit Symbol	DCRT PHASE LOSS PCB								Description	Sorensen Part No.
	55-90				80-62					
	32-155	16-310	8-400	4-800	110-45	160-30	300-16	600-8		
	X	X	X	X	X	X	X	X	Assy. Phase Loss PCB	1060138-1
	X	X	X	X	X	X	X	X	Phase Loss PCB	1060137-1
	X	X	X	X	X	X	X	X	Schematic	1060136
									Capacitors (mF unless noted)	
C1	X	X	X	X	X	X	X	X	.22, 100V	24-2037-11
C2	X	X	X	X	X	X	X	X	.1, 50V	980707-3
C3	X	X	X	X	X	X	X	X	.1, 25V	235-7395P59
C4	X	X	X	X	X	X	X	X	.1, 50V	980707-3
C5	X	X	X	X	X	X	X	X	.33, 480V	166374-24
C6	X	X	X	X	X	X	X	X	10, 25V	235-7395P65
C7	X	X	X	X	X	X	X	X	47, 15V	235-7395P42
									Diodes	
CR1 Thru CR8	X	X	X	X	X	X	X	X	1N4148	322-7220P1
CR9, CR10	X	X	X	X	X	X	X	X	1N4006	322-7236P6
									PCB Connectors	
J1	X	X	X	X	X	X	X	X	4 Pin Header	1058179-1
J2	X	X	X	X	X	X	X	X	8 Pin Header	1058179-5
									Transistors	
Q1	X	X	X	X	X	X	X	X	2N3904	18-166
Q2	X	X	X	X	X	X	X	X	2N5062	322-7243P3
									Resistors (ohms, ±1% unless noted)	
R1	X	X	X	X	X	X	X	X	215, 1/4W	586055-90
R2	X	X	X	X	X	X	X	X	750, 1/4W	586055-116
R3, R4	X	X	X	X	X	X	X	X	147, 1/4W	586055-178
R5	X	X	X	X	X	X	X	X	10K, 1/4W	586055-122
R6	X	X	X	X	X	X	X	X	562, 1/4W	586055-110
R7	X	X	X	X	X	X	X	X	10K, 1/4W	586055-122
R8	X	X	X	X	X	X	X	X	154, 1/4W	586055-83

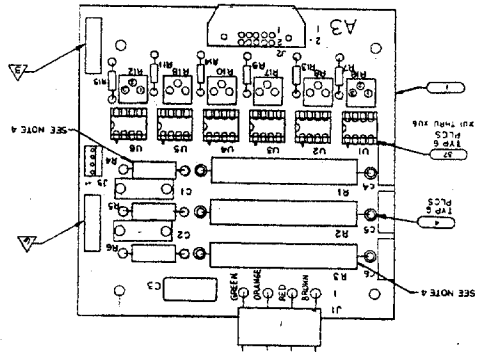
Replacement Parts List

Circuit Symbol	DCRT PHASE LOSS PCB								Description	Sorensen Part No.
	55-90				80-62					
	32-155	16-310	8-400	4-800	110-45	160-30	300-16	600-8		
R9	X	X	X	X	X	X	X	X	Resistors (ohms unless noted)	586055-89
R10	X	X	X	X	X	X	X	X	205, 1/4W	586055-76
R11, R12	X	X	X	X	X	X	X	X	110, 1/4W	1063040-95
R13	X	X	X	X	X	X	X	X	274, 1/2W	586055-97
R14	X	X	X	X	X	X	X	X	301, 1/4W	586055-122
R15	X	X	X	X	X	X	X	X	10K, 1/4W	586055-154
R16	X	X	X	X	X	X	X	X	46, 1/4W	586055-74
R17	X	X	X	X	X	X	X	X	100, 1/4W	585108-203
R18									360K, 1/4W	
R19, R20	X	X	X	X	X	X	X	X	Not Used	
R21	X	X	X	X	X	X	X	X	10K, 1/4W	586055-122
R22	X	X	X	X	X	X	X	X	215, 1/4W	586055-90
R23	X	X	X	X	X	X	X	X	100, 1/4W	586055-74
									121, 1/4W	586055-78
									Integrated Circuits	
U1	X	X	X	X	X	X	X	X	LM324N	980100-1
U2	X	X	X	X	X	X	X	X	6N139	1034017-1
XU1	X	X	X	X	X	X	X	X	IC, 4 Pin	G250154-4
XU2	X	X	X	X	X	X	X	X	IC, 8 Pin	G260154-2

Replacement Parts List

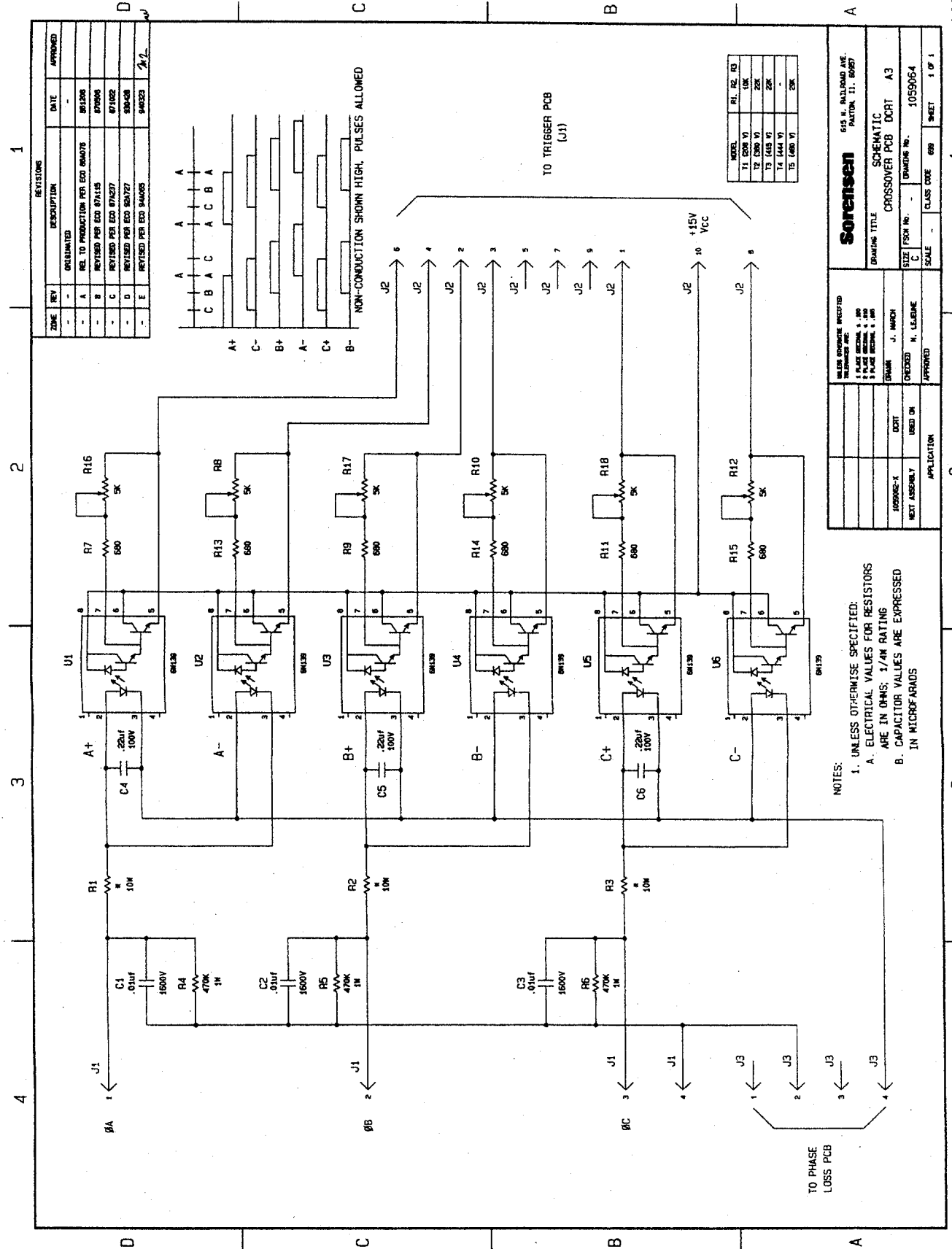
Circuit Symbol	DCRT CROSSOVER PCB ASSY.				Description	Sorensen Part No.
	T2		T3			
	T1		T5			
	X	X	X	X	Assy. Crossover	1059062-2
					Assy. Crossover	1059062-3
	X	X	X	X	Assy. Crossover	1059062-1
	X	X	X	X	Crossover PCB	1059063-1
					Schematic	1059064
					Capacitors (mF unless noted)	
C1, C2, C3	X	X	X	X	0.01, 500V	1059774-1
C4, C5, C6	X	X	X	X	0.22, 100V	24-2037-11
					Resistors (ohms, ±1% unless noted)	
R1, R2, R3	X	X	X	X	10K, 10W, ±5%	167403-22
R1, R2, R3	X	X	X	X	22.0K, 10W, ±5%	167403-30
R1, R2, R3	X	X	X	X	29.0K, 10W, ±5%	167403-1
R4, R5, R6	X	X	X	X	475K, 1W	1063041-216
R7	X	X	X	X	681, 1/4W	586055-66
R8	X	X	X	X	5.0K, 1/2W, ±20%	586370-15
R9	X	X	X	X	681, 1/4W	586055-66
R10	X	X	X	X	5.0K, 1/2W, ±20%	586370-15
R11	X	X	X	X	681, 1/4W	586055-66
R12	X	X	X	X	5.0K, 1/2W, ±20%	586370-15
R13, R14, R15	X	X	X	X	681, 1/4W	586055-66
R16, R17, R18	X	X	X	X	5.0K, 1/2W, ±20%	586370-15
					Integrated Circuits	
U1 Thru U6	X	X	X	X	6N139	1034017-1
XU1 Thru XU6	X	X	X	X	IC Socket 8 Pin	C260154-2
					PCB Connectors	
J1	X	X	X	X	4 Pin Right Angle	1059722-3
J2	X	X	X	X	10 Pin Right Angle	1059718-2
J3	X	X	X	X	4 Pin Headed	1058179-1

P/L 1059062-2  
 FOR LIST OF PARTS SEE P/L 1059062-1  
 RAYTHEON COMPANY  
 WATSON MANUFACTURING DIVISION  
 WATSON, MASS 01879  
 DRAWING NO. 1059062-2  
 REV. 1  
 DATE 10/11/57  
 DESIGNED BY: [Signature]  
 CHECKED BY: [Signature]  
 APPROVED BY: [Signature]  
 PARTS LIST  
 PART NO. QUANTITY  
 1059062-2 1  
 1059062-3 1  
 1059063-1 1  
 1059064 1



NOTES:  
 1. REFERENCE SCHEMATIC NUMBER 1059064  
 2. ELECTRICAL COMPONENTS ARE REFERRED TO BY REFERENCE DESIGNATIONS.  
 PARTS LIST BY REFERENCE DESIGNATIONS.  
 3. DIMENSIONS ARE IN INCHES UNLESS OTHERWISE SPECIFIED.  
 4. MOUNT 10 MICR OFF BOARD.  
 5. REF TEST PROCEDURE 10590153.  
 6. DRAWING LABEL ITEM IS AS FOLLOWS:  
 7. REFERENCE SCHEMATIC NUMBER 1059064  
 8. DIMENSIONS ARE IN INCHES UNLESS OTHERWISE SPECIFIED.

NO.	REVISION	DATE	BY	CHKD.	APP.
1	ORIGINATED				
2	DESIGNED				
3	CHECKED				
4	APPROVED				
5	REVISED PER ECO CHANGE				
6	REVISED PER ECO CHANGE				
7	REVISED PER ECO CHANGE				
8	REVISED PER ECO CHANGE				
9	REVISED PER ECO CHANGE				
10	REVISED PER ECO CHANGE				



NOTES:

- UNLESS OTHERWISE SPECIFIED:
  - ELECTRICAL VALUES FOR RESISTORS ARE IN OHMS; 1/4W RATING
  - CAPACITOR VALUES ARE EXPRESSED IN MICROFARADS

**Sorensen**  
615 N. 840 ROAD AVE  
FALTON, IL, 60427

DESIGNED BY: H. LESBINE  
CHECKED BY: J. HANCOCK  
DRAWN BY: J. HANCOCK

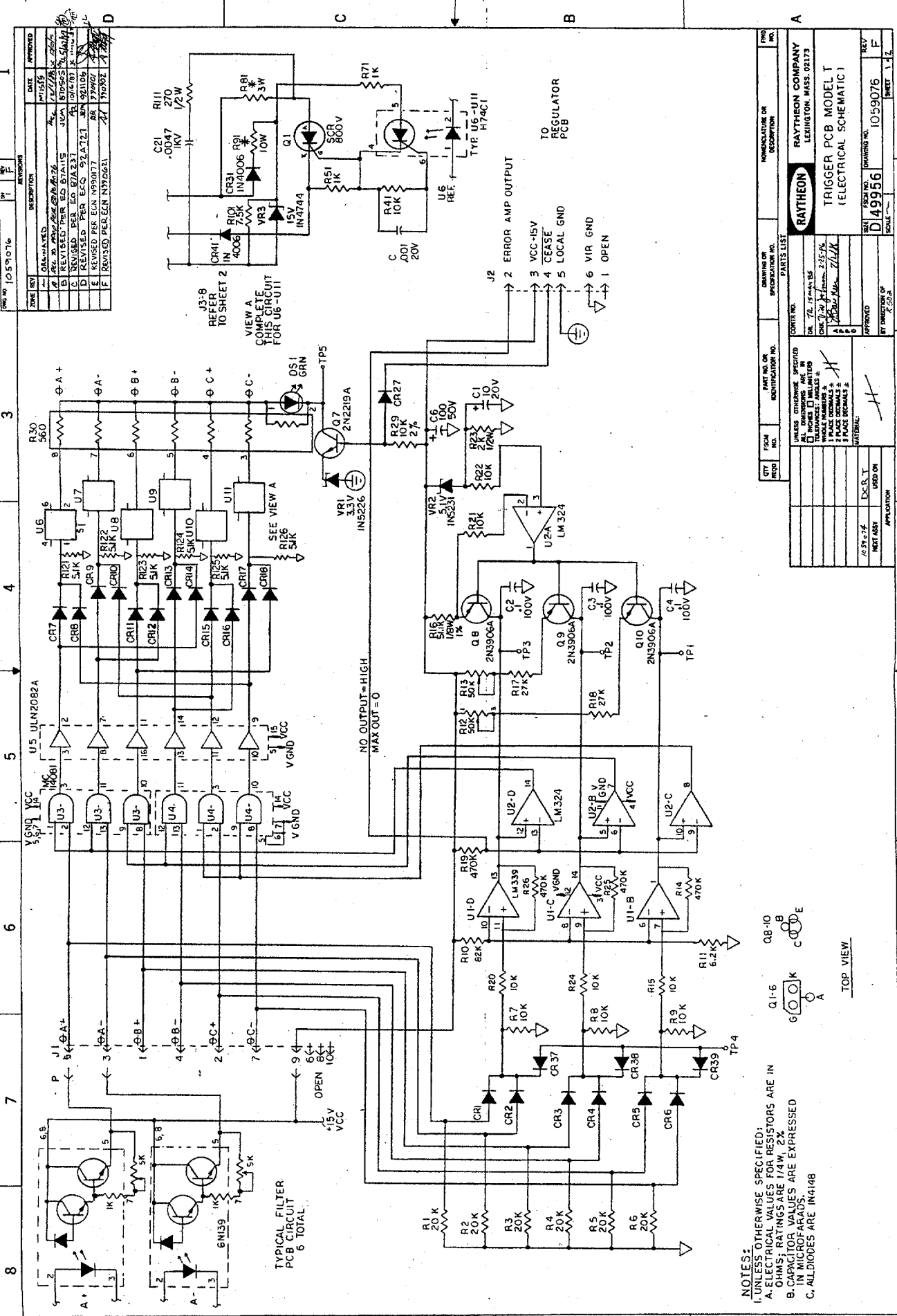
DATE: 08/02/68  
JOB NO: 1059064

SCALE: - CLASS CODE: 699 SHEET: 1 OF 1

DRIVING TITLE: CROSSOVER PCB DCR1 A3

SIZE: FISH IN: - DRAWING NO: 1059064

11/09/99 8:42:49 AM



ZONE	REV	DESCRIPTION	DATE	APPROVED
	1	ASSEMBLED	11/17/98	
	2	REVISED PER ED 87A15	11/17/98	
	3	REVISED PER ED 87A23	11/17/98	
	4	REVISED PER ECG 92A721	11/17/98	
	5	REVISED PER ECG 92A721	11/17/98	
	6	REVISED PER ECG 92A721	11/17/98	

REV	DESCRIPTION	DATE	BY	CHKD
1	ASSEMBLED	11/17/98		
2	REVISED PER ED 87A15	11/17/98		
3	REVISED PER ED 87A23	11/17/98		
4	REVISED PER ECG 92A721	11/17/98		
5	REVISED PER ECG 92A721	11/17/98		
6	REVISED PER ECG 92A721	11/17/98		

REV	DESCRIPTION	DATE	BY	CHKD
1	ASSEMBLED	11/17/98		
2	REVISED PER ED 87A15	11/17/98		
3	REVISED PER ED 87A23	11/17/98		
4	REVISED PER ECG 92A721	11/17/98		
5	REVISED PER ECG 92A721	11/17/98		
6	REVISED PER ECG 92A721	11/17/98		

REV	DESCRIPTION	DATE	BY	CHKD
1	ASSEMBLED	11/17/98		
2	REVISED PER ED 87A15	11/17/98		
3	REVISED PER ED 87A23	11/17/98		
4	REVISED PER ECG 92A721	11/17/98		
5	REVISED PER ECG 92A721	11/17/98		
6	REVISED PER ECG 92A721	11/17/98		

REV	DESCRIPTION	DATE	BY	CHKD
1	ASSEMBLED	11/17/98		
2	REVISED PER ED 87A15	11/17/98		
3	REVISED PER ED 87A23	11/17/98		
4	REVISED PER ECG 92A721	11/17/98		
5	REVISED PER ECG 92A721	11/17/98		
6	REVISED PER ECG 92A721	11/17/98		

REV	DESCRIPTION	DATE	BY	CHKD
1	ASSEMBLED	11/17/98		
2	REVISED PER ED 87A15	11/17/98		
3	REVISED PER ED 87A23	11/17/98		
4	REVISED PER ECG 92A721	11/17/98		
5	REVISED PER ECG 92A721	11/17/98		
6	REVISED PER ECG 92A721	11/17/98		

NOTES:  
 1. UNLESS OTHERWISE SPECIFIED:  
 A. ELECTRICAL VALUES FOR RESISTORS ARE IN OHMS; RATINGS ARE 1/4W, 2%  
 B. CAPACITOR VALUES ARE EXPRESSED IN MICROFARADS.  
 C. ALL DIODES ARE IN4148



REV	DATE	APPROVED
1	1/10/68	TL
2	1/10/68	TL
3	1/10/68	TL
4	1/10/68	TL
5	1/10/68	TL
6	1/10/68	TL
7	1/10/68	TL
8	1/10/68	TL
9	1/10/68	TL
10	1/10/68	TL

REVISIONS

1. 2/10/68

2. REVISED PER SO 87A115

3. REVISED PER SO 87A115

4. REVISED PER SO 87A115

5. REVISED PER SO 87A115

6. REVISED PER SO 87A115

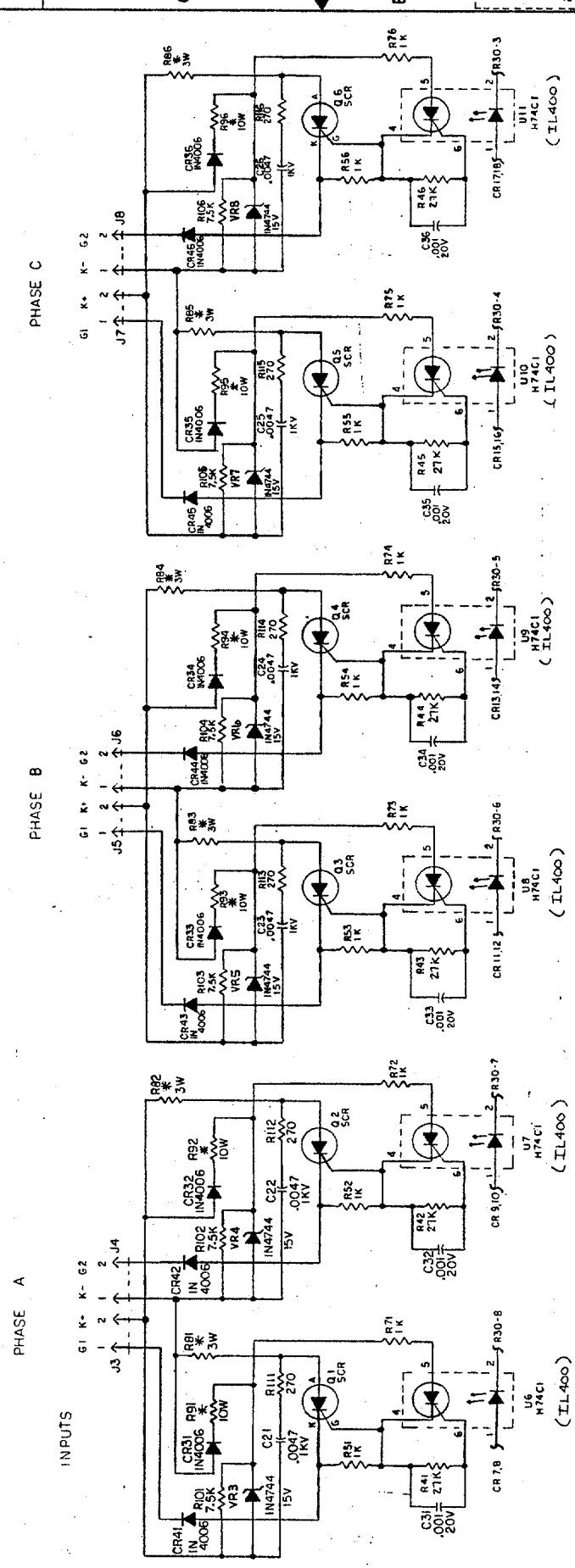
7. REVISED PER SO 87A115

8. REVISED PER SO 87A115

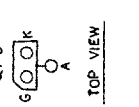
9. REVISED PER SO 87A115

10. REVISED PER SO 87A115

SEE SHEET 1



* REFERENCE DESIGNATIONS	VALUE	TOLERANCE	COIL	WINDING	WATTAGE
CR31-33	IN 4006	±5%			
CR9105-107	H74C1	±5%			
FR30-3 to FR30-8	IL400	±5%			
R81-86	3W	±5%			
R41-46	27K	±5%			
C21-23	1KV	±5%			
C31-33	.001 20V	±5%			



REV	DATE	APPROVED
1	1/10/68	TL
2	1/10/68	TL
3	1/10/68	TL
4	1/10/68	TL
5	1/10/68	TL
6	1/10/68	TL
7	1/10/68	TL
8	1/10/68	TL
9	1/10/68	TL
10	1/10/68	TL

REVISIONS

1. 2/10/68

2. REVISED PER SO 87A115

3. REVISED PER SO 87A115

4. REVISED PER SO 87A115

5. REVISED PER SO 87A115

6. REVISED PER SO 87A115

7. REVISED PER SO 87A115

8. REVISED PER SO 87A115

9. REVISED PER SO 87A115

10. REVISED PER SO 87A115

SEE SHEET 1

REV	DATE	APPROVED
1	1/10/68	TL
2	1/10/68	TL
3	1/10/68	TL
4	1/10/68	TL
5	1/10/68	TL
6	1/10/68	TL
7	1/10/68	TL
8	1/10/68	TL
9	1/10/68	TL
10	1/10/68	TL

REVISIONS

1. 2/10/68

2. REVISED PER SO 87A115

3. REVISED PER SO 87A115

4. REVISED PER SO 87A115

5. REVISED PER SO 87A115

6. REVISED PER SO 87A115

7. REVISED PER SO 87A115

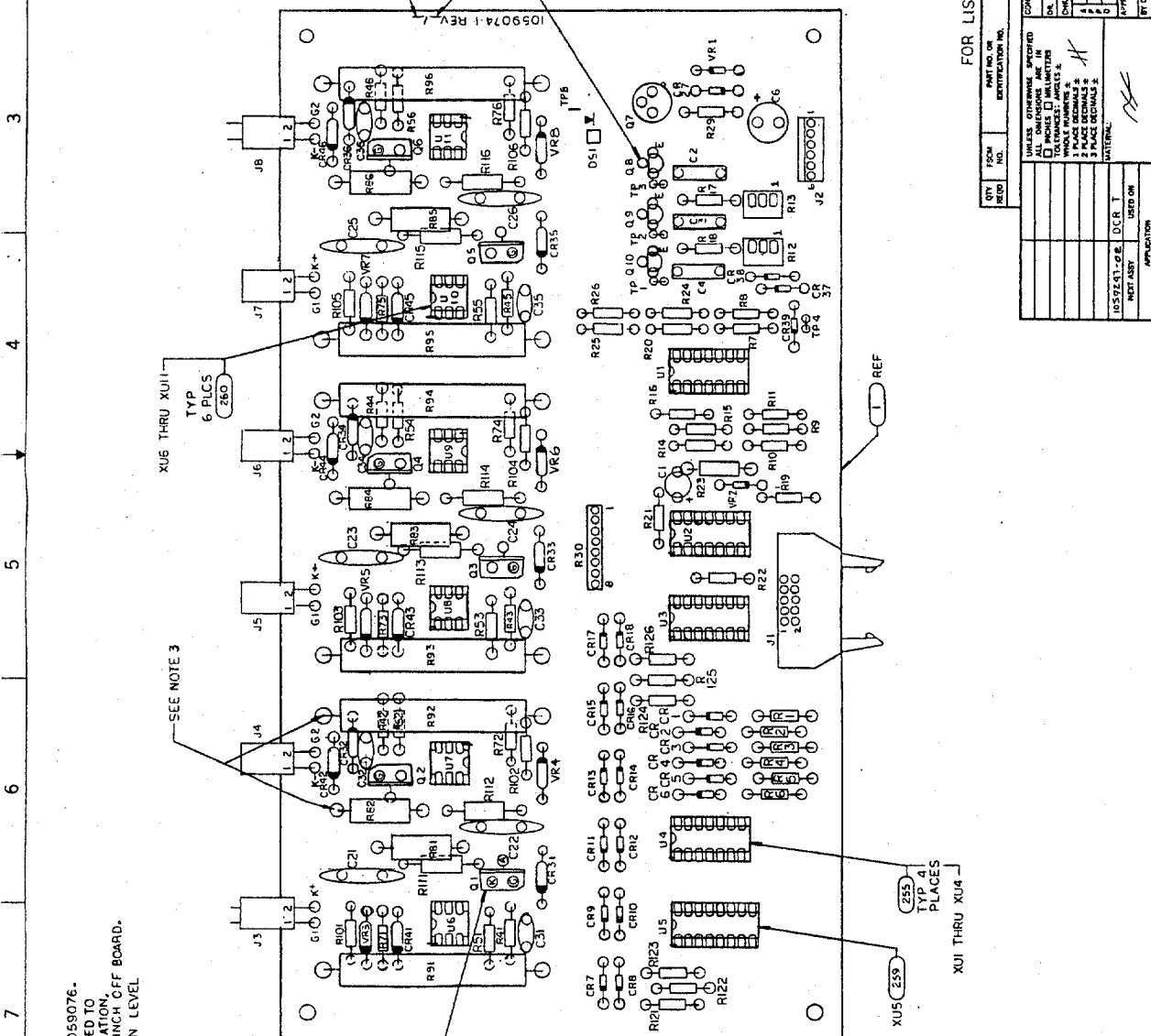
8. REVISED PER SO 87A115

9. REVISED PER SO 87A115

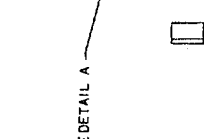
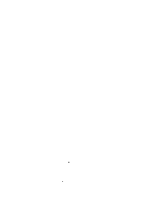
10. REVISED PER SO 87A115

SEE SHEET 1

REV	DATE	DESCRIPTION	BY	CHKD	APPROVED
1	11/14/66	7 LOTS PER ECN 874016			
A	11/14/66	REVISED PER ECN 874016			
B	11/14/66	REVISED PER ECN 874016			
C	11/14/66	REVISED PER ECN 874016			
D	11/14/66	REVISED PER ECN 874016			
E	11/14/66	REVISED PER ECN 874016			



- NOTES:
1. REFERENCE SCHEMATIC NUMBER 1059076.
  2. ELECTRICAL COMPONENTS ARE KEYED TO PARTS LIST BY REFERENCE DESIGNATION.
  3. MOUNT R91-R96 AND R81-R86, 2.5 INCH OFF BOARD.
  4. INK STAMP APPROPRIATE REVISION LEVEL USING WHITE EPOXY INK.
  5. REF. TEST PROCEDURE 1050141



FOR LIST OF PARTS SEE P/L 1059074-1

QTY USED	CON	DESCRIPTION	MANUFACTURE OR DESCRIPTION	PART NO.	REV

DATE	11/14/66	BY	
CHKD	11/14/66	BY	
APPROVED		BY	

MANUFACTURE OR DESCRIPTION	RAYTHEON COMPANY LEXINGTON MASS 02173
PART NO.	1059074-2
REV	AI
TRIGGER DCRT	
FORMING NO.	1059074
SCALE	2 X

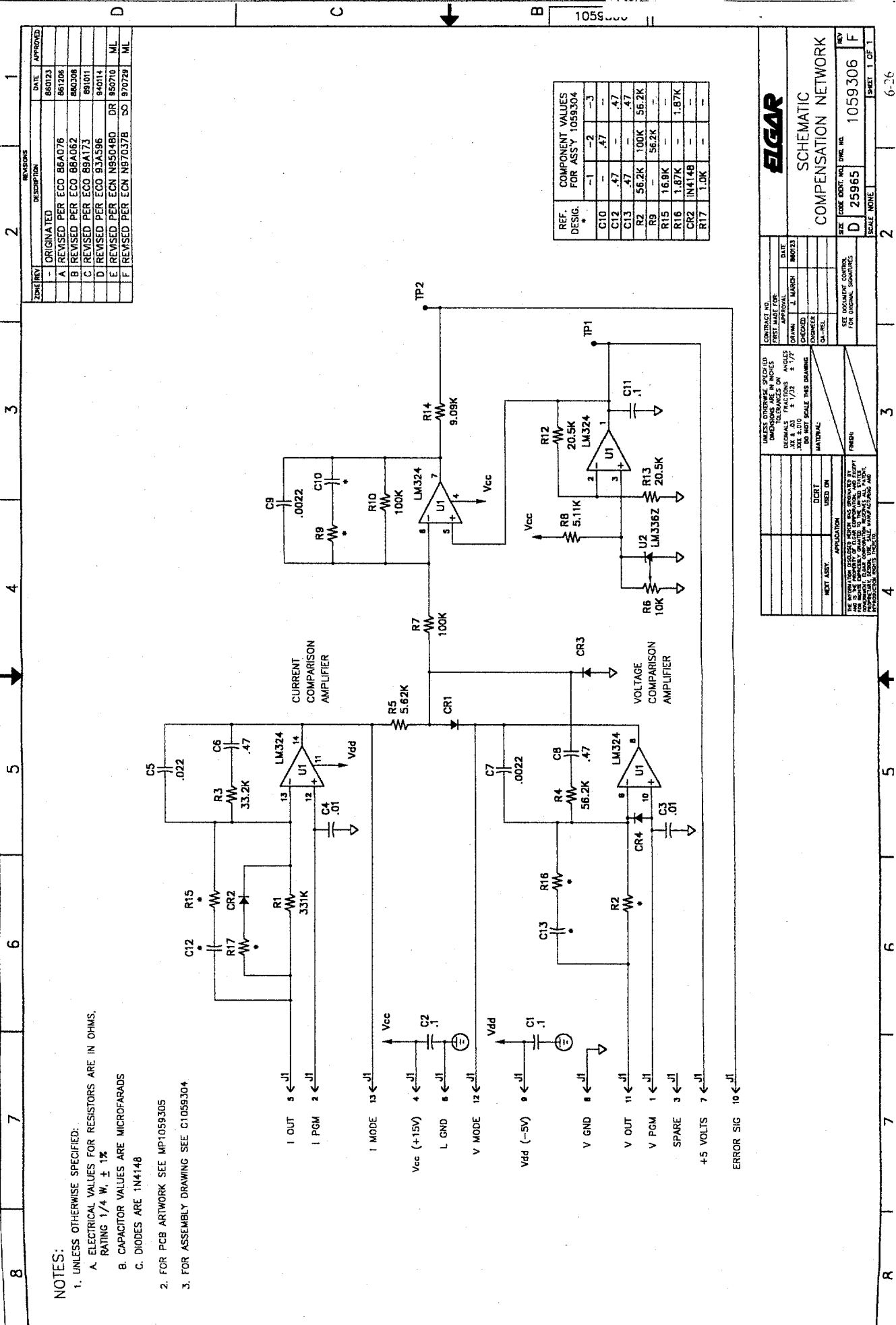
QTY USED	CON	DESCRIPTION	MANUFACTURE OR DESCRIPTION	PART NO.	REV

Replacement Parts List

Circuit Symbol	DCRT TRIGGER PCB ASSY.					Description	Sorensen Part No.
	T2		T3				
	T1	T2	T3	T4	T5		
						Resistors Cont'd (ohms, +/- 1% unless noted)	
R25, R26	X	X	X	X	475K, 1/4W		586055-216
R27, R28					Not Used		
R29	X	X	X	X	10.0K, 1/4W		586055-122
R30	X	X	X	X	560, 0.8W		1057802-16
R41 Thru R46	X	X	X	X	10.0K, 1/4W		586055-122
R47 Thru R50					Not Used		
R51 Thru R56	X	X	X	X	1.00K, 1/4W		586055-74
R57 Thru R70					Not Used		
R71 Thru R76	X	X	X	X	1.00K, 1/4W		586055-74
R77 Thru R80	X	X	X	X	Not Used		
R81 Thru R86	X	X	X	X	390, 3W, +/- 5%		167401-103
					750, 3W, +/- 5%		167401-110
					1.00K, 3W, +/- 5%		167401-113
R87 Thru R90					Not Used		
R91 Thru R96	X	X	X	X	20.0K, 10W, +/- 5%		167403-29
					39.0K, 10W, +/- 5%		167403-36
					54.0K, 10W, +/- 5%		167403-2
R97 Thru R100					Not Used		
R101 Thru R106	X	X	X	X	7.50K, 1/4W		586055-116
R107 Thru R110					Not Used		
R111 Thru R116	X	X	X	X	274, 1/2W		1063040-47
R117 Thru R120					Not Used		
R121 Thru R126	X	X	X	X	5.11K, 1/4W		586055-108
					Transistors		
Q1 Thru Q6	X	X	X	X	XO403MF		1059399-7
Q7					2N2219A		386-7249P32
Q8 Thru Q10	X	X	X	X	2N3906		18-173
					Intergrated Circuits & PCB Connectors		
U1	X	X	X	X	LM339		166970-1
U2	X	X	X	X	LM324N		980100-1
U3, U4	X	X	X	X	MC14081B		1058984-1
U5	X	X	X	X	ULN2082A		1058989-1
U6 Thru U11	X	X	X	X	H74C1		1058986-1
XU1 Thru XU4	X	X	X	X	IC Socket 14 Pin		G260154-4
XU5	X	X	X	X	IC Socket 16 pin		G260154-5
XU6 Thru XU11	X	X	X	X	IC Socket 6 pin		G260154-1
J1	X	X	X	X	10 Pin Right Angle		1059718-2
J2	X	X	X	X	6 Pin Header		1058179-4
J3 Thru J8	X	X	X	X	2 Pin Right Angle		1059722-1

Replacement Parts List

Circuit Symbol	DCRT TRIGGER PCB ASSY.					Description	Sorensen Part No.
	T2		T3				
	T1	T2	T3	T4	T5		
						Capacitors (mF unless noted)	
C1	X	X	X	X	10.0, 25V		1059074-2
C2, C3, C4	X	X	X	X	.1000, 100V		1059074-3
C5					Not Used		1059074-1
C6	X	X	X	X	100, 50V		1059075-1
C7 thru C20	X	X	X	X	Not Used		1059076
C21 thru C26	X	X	X	X	0.0047, 2KV		235-7395P65
C31 thru C36	X	X	X	X	.0010, 1.5KV		24-2037-7
						Diodes	
CR1 thru CR18	X	X	X	X	1N4148		322-7220P1
CR19 thru CR26					Not Used		
CR27	X	X	X	X	1N4148		322-7220P1
CR28 thru CR30					Not Used		
CR31 thru CR36	X	X	X	X	1N4006		322-7236P6
CR37 thru CR39	X	X	X	X	1N4148		322-7220P1
CR40					Not Used		
CR41 thru CR46	X	X	X	X	1N4006		322-7236P6
VR1	X	X	X	X	1N5226B, Zener		588101-3
VR2	X	X	X	X	1N5231B, Zener		588101-7
VR3 thru VR8	X	X	X	X	1N4744A, Zener		588102-11
					Resistors (ohms, +/- 1% unless noted)		
R1 thru R6	X	X	X	X	20K, 1/4W		586055-194
R7, R8, R9	X	X	X	X	10K, 1/4W		586055-122
R10	X	X	X	X	82.5K, 1/4W		586055-166
R11	X	X	X	X	6.19K, 1/4W		586055-112
R12, R13	X	X	X	X	50K, 1/2W		1058959-12
R14	X	X	X	X	475K, 1/4W		586055-216
R15	X	X	X	X	10.0K, 1/4W		586055-122
R16	X	X	X	X	51.1K, 1/4W		586055-156
R17, R18	X	X	X	X	27.4K, 1/4W		586055-143
R19	X	X	X	X	475K, 1/4W		586055-216
R20, R21, R22	X	X	X	X	10.0K, 1/4W		586055-122
R23	X	X	X	X	2.05K, 1/2W		1063040-89
R24	X	X	X	X	10.0K, 1/4W		586055-122



REF. DESIG.	COMPONENT VALUES FOR ASSY 1059304
C10	.0022
C12	.47
C13	.47
R2	56.2K
R9	56.2K
R15	16.9K
R16	1.87K
CR2	1N4148
R17	1.0K

- NOTES:**
- UNLESS OTHERWISE SPECIFIED:
    - ELECTRICAL VALUES FOR RESISTORS ARE IN OHMS, RATING 1/4 W, ± 1%
    - CAPACITOR VALUES ARE MICROFARADS
    - DIODES ARE 1N4148
  - FOR PCB ARTWORK SEE MP1059305
  - FOR ASSEMBLY DRAWING SEE C1059304

ZONE/REV	DESCRIPTION	DATE	APPROVED
-	ORIGINATED	860123	
A	REVISED PER ECO 86A076	861206	
B	REVISED PER ECO 86A062	860208	
C	REVISED PER ECO 86A173	891011	
D	REVISED PER ECO 93A596	940114	
E	REVISED PER ECN N950480	DR 950710	ML
F	REVISED PER ECN N970378	SO 970729	ML

**ELGAR**

**SCHEMATIC NETWORK**

CONTRACT NO. \_\_\_\_\_  
 FIRST MADE FOR APPROVAL DATE 8/00/83  
 DRAWN BY J. MARCH  
 CHECKED BY \_\_\_\_\_  
 DESIGNER \_\_\_\_\_  
 C-REL. \_\_\_\_\_

UNLESS OTHERWISE SPECIFIED, DIMENSIONS ARE IN INCHES  
 DECIMALS FRACTIONS ANGLES  
 .125 .010 1/32 1/2  
 .005 .001 1/64 1/4  
 DO NOT SCALE THIS DRAWING

SEE DOCUMENT CENTER FOR ORIGINAL DRAWINGS

SCALE NONE

SIZE CODE 0007, NO. DWG. NO. 1059306 F  
 D 25965

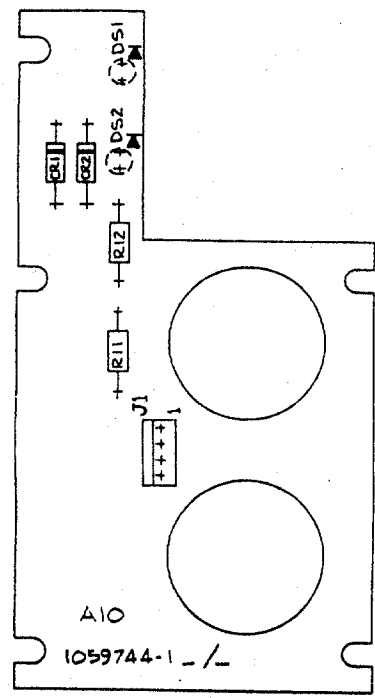
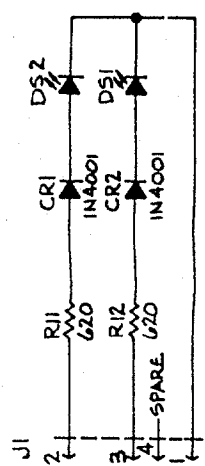
SHEET 1 OF 1

Replacement Parts List

Circuit Symbol	DCRT COMPENSATION PCB						Description	Sorensen Part No.
	55-90		80-62					
	32-155		110-45					
	16-310	8-400	160-30	300-16	600-8			
A5	X	X	X	X	X	Assy. Compensation PCB	1059304-3	
	X	X	X			Assy. Compensation PCB	1059304-2	
	X	X	X	X	X	Compensation PCB	1059304-1	
	X	X	X	X	X	Schematic	1059306	
						Capacitors (mF unless noted)		
C1, C2	X	X	X	X	X	.1000, 50V	980707-3	
C3, C4	X	X	X	X	X	.0100, 300V	235-7361P2	
C5	X	X	X	X	X	.0200, 250V	587626-168	
C6	X	X	X	X	X	4700, 100V	24-2037-15	
C7	X	X	X	X	X	.0022, 630V	587626-167	
C8	X	X	X	X	X	4700, 100V	24-2037-15	
C9	X	X	X	X	X	.0022, 630V	587626-167	
C10	X	X	X	X	X	4700, 100V	24-2037-15	
C11	X	X	X	X	X	.1000, 50V	980707-3	
C12, C13	X	X	X	X	X	4700, 100V 1/4W	24-2037-15	
						Diodes		
CR1 thru CR4			X	X		IN914	844-914-XX	
CR1, CR3, CR4	X	X	X	X	X	IN914	844-914-XX	
						PCB Connectors		
J1	X	X	X	X	X	13 Pin Header	1059560-1	
						Resistors (ohms, ±1% unless noted)		
R1	X	X	X	X	X	331K, 1/8W	586055-238	
R2	X	X	X	X	X	100K, 1/8W	812-100-3F	
						56.2K, 1/8W	586055-158	
R3	X	X	X	X	X	33.2K, 1/8W	812-322-2F	
R4	X	X	X	X	X	56.2K, 1/8W	812-562-2F	
R5	X	X	X	X	X	5.62K, 1/8W	812-562-1F	
R6	X	X	X	X	X	10K, 1/2W, ±20%	586370-16	
R7	X	X	X	X	X	100K, 1/8W	812-100-3F	
R8	X	X	X	X	X	5.11K, 1/8W	812-511-1F	
R9	X	X	X	X	X	56.2K, 1/8W	812-562-2F	

Circuit Symbol	DCRT COMPENSATION PCB						Description	Sorensen Part No.
	55-90		80-62					
	32-155		110-45					
	16-310	8-400	160-30	300-16	600-8			
R10	X	X	X	X	X	100K, 1/8W	812-100-3F	
R11						Not Used		
R12, R13	X	X	X	X	X	20.5K, 1/8W	586055-137	
R14	X	X	X	X	X	9.09K, 1/8W	812-909-1F	
R15						16.9K, 1/8W	586055-133	
R16						1.87K, 1/8W	586055-87	
R17						1.0K, 1/8W	812-100-1F	
						Integrated Circuit		
U1	X	X	X	X	X	LM324N	849-LM3-24	
U2	X	X	X	X	X	LM336BZ	1058982-1	
XU1	X	X	X	X	X	IC Socket 14 Pin	G260154-4	

Power Indicator PCB  
Schematic & Assy.  
1059744



CLASSIFICATION	1059748
DATE	10/1/74
REV	1
DESCRIPTION	VOLT CURRENT SET A12 PCB ASSEMBLY
DESIGNED BY	...
CHECKED BY	...
APPROVED BY	...

FOR LIST OF PARTS SEE P/L1059748-1

**NOTES:**  
 1. REFERENCE SCHEMATIC NUMBER 1059752  
 2. ELECTRICAL COMPONENTS ARE KEYS TO PARTS LIST BY REFERENCE DESIGNATION  
 3. INK STAMP APPROPRIATE HEV LEVEL  
 4. USE JUMPER KIT 100192-1 FOR WIRE TERMINATIONS  
 5. REFERENCE TEST PROCEDURES 1060147

RED PIN 2  
 BLUE PIN 1  
 YELLOW PIN 3  
 REF JUMPER KIT 100192-1

ALTERNATE POSITION (R1 AND R2)

P/L REV NOTE 3

ALL REV NOTES

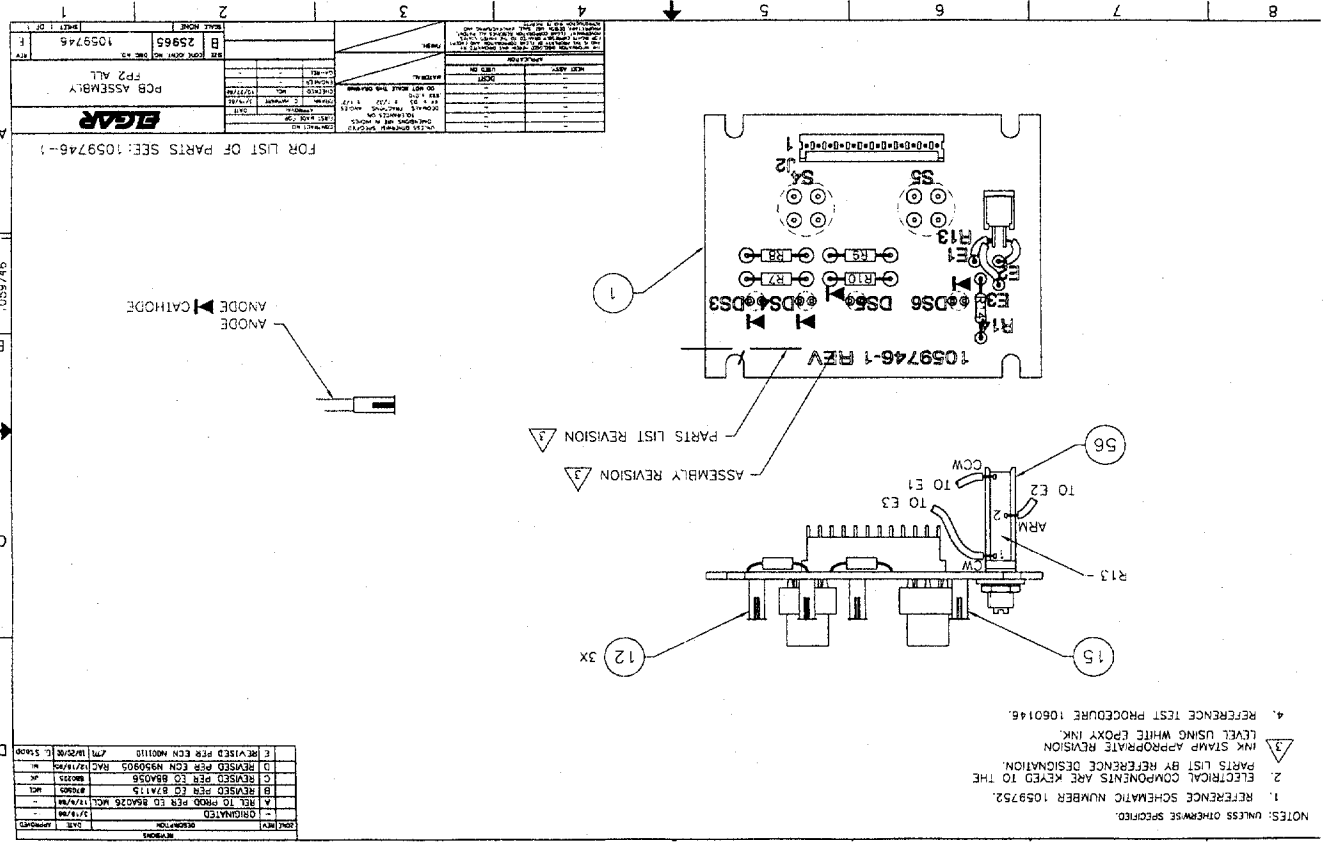
SEE NOTE 4

ANODE

REV	DATE	DESCRIPTION
1	10/1/74	REVISED PER EQUINIBRICAL UNIT
2	10/1/74	REVISED PER EQUINIBRICAL UNIT
3	10/1/74	REVISED PER EQUINIBRICAL UNIT
4	10/1/74	REVISED PER EQUINIBRICAL UNIT
5	10/1/74	REVISED PER EQUINIBRICAL UNIT
6	10/1/74	REVISED PER EQUINIBRICAL UNIT
7	10/1/74	REVISED PER EQUINIBRICAL UNIT
8	10/1/74	REVISED PER EQUINIBRICAL UNIT
9	10/1/74	REVISED PER EQUINIBRICAL UNIT
10	10/1/74	REVISED PER EQUINIBRICAL UNIT

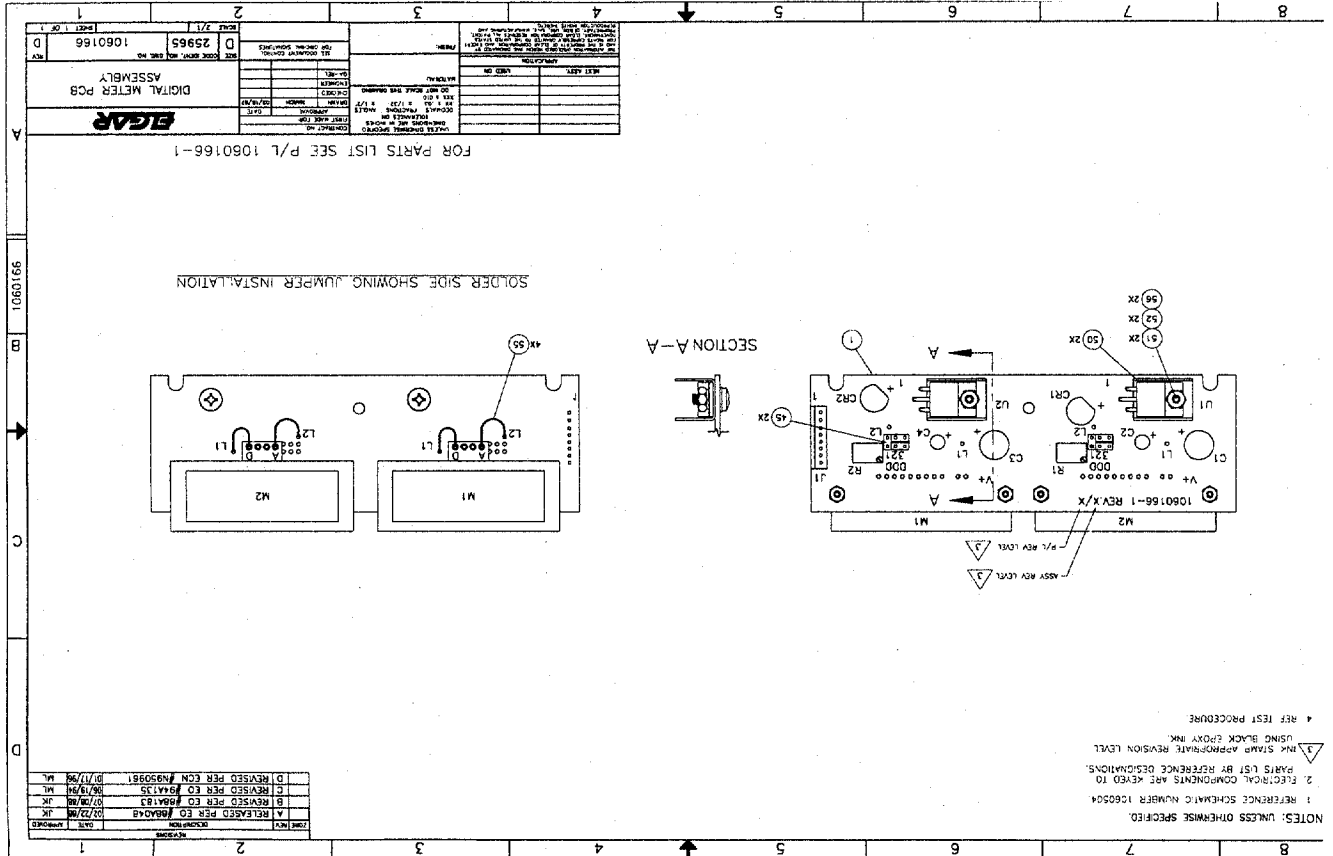
# Replacement Parts List

Circuit Symbol	DCRT 5KW MODELS								Description	Sorensen Part No.
	55-90	80-62	110-45	160-30	300-16	600-8	80-62	110-45		
	X	X	X	X	X	X	X	X	DCRT POWER INDICATOR PCB (A10)	
	X	X	X	X	X	X	X	X	Assy. Power Indicator PCB	1059744-1
	X	X	X	X	X	X	X	X	PCB Power Indicator	1059745-1
	X	X	X	X	X	X	X	X	Schematic	1059752
CR1, CR2	X	X	X	X	X	X	X	X	Diode, 1N4001	322-7236P1
DS1	X	X	X	X	X	X	X	X	LED Yellow	1059759-3
DS2	X	X	X	X	X	X	X	X	LED Green	1059759-2
R11, R12	X	X	X	X	X	X	X	X	Resistor, 619, 1/4W, ±1%	586055-64
J1	X	X	X	X	X	X	X	X	Connector, 4 Pin Header	1058179-1
									DCRT FP2 PCB (A11)	
	X	X	X	X	X	X	X	X	Assy. FP2 PCB	1059746-1
	X	X	X	X	X	X	X	X	PCB FP2	1059747-1
	X	X	X	X	X	X	X	X	Schematic	1059752
DS3, DS4, DS5	X	X	X	X	X	X	X	X	LED, Red	1059759-1
DS6	X	X	X	X	X	X	X	X	LED, Green	1059759-2
J2	X	X	X	X	X	X	X	X	Connector, 12 Pin Header	1058179-7
R7 thru R10	X	X	X	X	X	X	X	X	Resistor, 619, 1/4W, ±1%	586055-64
R13	X	X	X	X	X	X	X	X	Resistor, 20K, Var.	1059763-11
R14	X	X	X	X	X	X	X	X	Resistor, 23.7K, 1/4W, ±1%	586055-140
S4, S5	X	X	X	X	X	X	X	X	Switch Pushbutton	1059760-1
									DCRT VOLT CURRENT SET PCB	
	X	X	X	X	X	X	X	X	Assy. V/A Set PCB	1059748-1
	X	X	X	X	X	X	X	X	PCB Volt/Cur. Set	1059749-1
	X	X	X	X	X	X	X	X	Schematic	1059752
C3	X	X	X	X	X	X	X	X	Diode, 1N4001	322-7236P1
DS7, DS8	X	X	X	X	X	X	X	X	LED, Green	1059759-2
J3	X	X	X	X	X	X	X	X	Connector, 8 Pin Header	1058179-5
R1, R2	X	X	X	X	X	X	X	X	Resistor, 10K, Var.	1059421-7
R5, R6	X	X	X	X	X	X	X	X	Resistor, 619, 1/4W, ±1%	586055-64



Replacement Parts List

Circuit Symbol	DCRT 5KW MODELS								Description	Sorensen Part No.		
	55-90	32-155	16-310	8-400	4-800	80-62	110-45	160-30			300-16	600-8
	X	X	X	X	X	X	X	X	X	X	DIGITAL METER PCB	1060166-1
	X	X	X	X	X	X	X	X	X	X	Assy. Digital Meter PCB	1060503-1
	X	X	X	X	X	X	X	X	X	X	PCB Digital Meter	1060504
C1	X	X	X	X	X	X	X	X	X	X	Schematic	1059557-30
C2	X	X	X	X	X	X	X	X	X	X	Capacitor, 470, 25V	235-7395P65
C3	X	X	X	X	X	X	X	X	X	X	Capacitor, 10.0, 25V	1059557-30
C4	X	X	X	X	X	X	X	X	X	X	Capacitor, 470, 25V	235-7395P65
CR1, CR2	X	X	X	X	X	X	X	X	X	X	Diode, W005M	1034027-1
J1	X	X	X	X	X	X	X	X	X	X	Connector, 8 Pin Header	1058179-5
M1, M2	X	X	X	X	X	X	X	X	X	X	Meter Volt Digital	1060295-1
U1, U2	X	X	X	X	X	X	X	X	X	X	Resistor, 2.0K, 1/2W	1058959-8
W1, W2	X	X	X	X	X	X	X	X	X	X	IC, L7805	167158-2
	X	X	X	X	X	X	X	X	X	X	Connector, 3 Pin	980113-2





### Replacement Parts List

Circuit Symbol	DCRT RANGE PCB								Description	Sorensen Part No.			
	55-90				80-62								
	32-155	16-310	8-400	4-800	110-45	160-30	300-16	600-8					
R1, R2 R3	X	X	X	X	X	X	X	X	Assy. Range PCB	1060289-1			
	X								Assy. Range PCB	1060289-2			
		X							Assy. Range PCB	1060289-3			
			X						Assy. Range PCB	1060289-4			
				X					Assy. Range PCB	1060289-5			
					X				Assy. Range PCB	1060289-7			
						X			Assy. Range PCB	1060289-8			
							X		Assy. Range PCB	1060289-9			
		X	X	X	X	X	X	X	Assy. Range PCB	1060289-10			
		X	X	X	X	X	X	X	Range PCB	1060290-1			
								Schematic	1060359				
R4									Resistors (ohms, ±1% unless noted)				
	X	X	X	X	X	X	X	X		464, 1/4W	586055-58		
	X	X	X	X	X	X	X	X		0	1061440-1		
										3.01K, 1/4W	586055-97		
										30.1K, 1/4W	586055-145		
										42.2K, 1/4W	586055-152		
										20.0K, 1/4W	586055-194		
								X		274K, 1/2W	1063040-192		
										6.81K, 1/4W	586055-114		
		X	X	X	X	X	X	X		3.01, 1/4W	586055-97		
R5, R6									PCB Connectors				
										5 Pin Header	1058179-2		
											3 Pin Header	1058179-8	

