



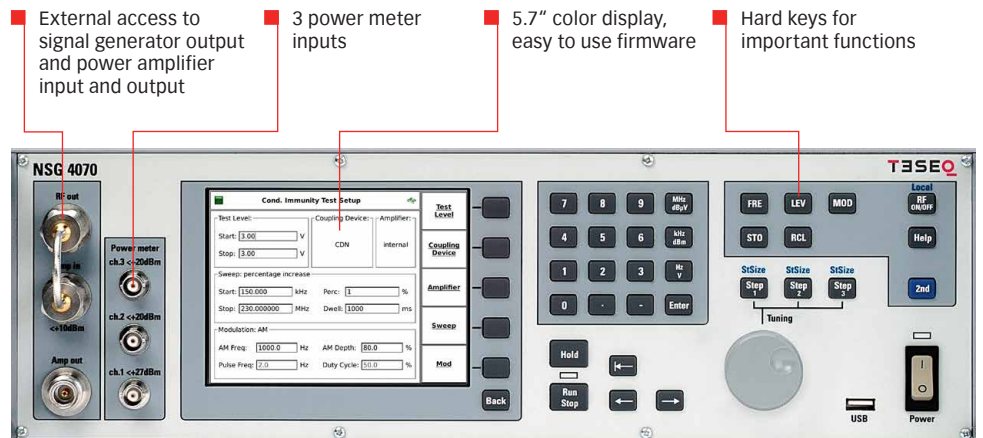
NSG 4070B TEST SYSTEM FOR CONDUCTED AND RADIATED IMMUNITY



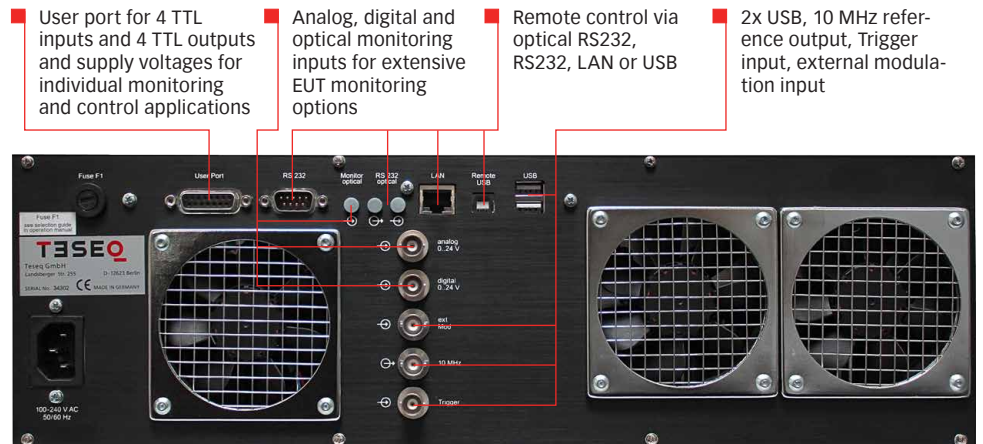
- **Integrated signal generator**
9 kHz to 1 GHz
- **3 power meter inputs**
9 kHz to 1 GHz
- **Integrated class A power amplifier module for different applications:**
35 W, 150 kHz to 230 MHz;
40 W, 10 kHz to 400 MHz
45 W, 9 kHz to 1 GHz;
80 W, 150 kHz to 230 MHz
- **Multiple EUT monitoring options**
- **5.7" TFT color display**
- **Internal, menu-based control software**
- **Basic remote control software and report generator included**
- **Optically decoupled remote control**

The NSG 4070 is a multi-functional device for carrying out EMC immunity tests to accompany development and conformity testing in accordance to IEC/EN 61000-4-6, Namur and several automotive BCI standards. Anyone who spends a considerable amount of time on test level setting, connecting EUT monitoring or writing test reports can now carry out immunity testing in a much more efficient manner with the 3rd generation of NSG 4070.

Its modular set-up using internal or external amplifiers enables a large variety of applications. The powerful and easy to use firmware makes the NSG 4070 independent from an external PC and control software, however it can also be remote controlled for system operation. A state-of-the-art data transfer of test and measurement data for documentation is provided by USB stick to be plugged into the front panel.



- Standards:**
- IEC/EN 61000-4-3
 - IEC/EN 61000-4-6
 - IEC/EN 61000-4-20
 - IEC/EN 61000-4-21
 - IEC 62132
 - ISO 11452-4
 - MIL-STD-461 CS114
 - Ford FMC1278
 - GM GMW3097
 - Nissan 28400NDS
 - Peugeot PSA B21 7110
 - Renault 36-00-808
 - And others



NSG 4070B

TEST SYSTEM FOR CONDUCTED AND RADIATED IMMUNITY

Technical specifications

Generator

RF	
Frequency range:	9 kHz to 1 GHz
Resolution:	1 Hz
Reference frequency:	10 MHz
Aging:	25 ppm
RF Level	
Level range:	-60 dBm to +10 dBm
Resolution:	0.1 dB
Settling time:	10 ms
Amplitude modulation	
Modulation depth:	0 to 100%
Modulation frequency range:	1 Hz to 50 kHz
Frequency resolution:	1 Hz
Pulse modulation	
Rise/fall time (10%/90%):	< 1 μ s
Modulation frequency range:	1 Hz to 50 kHz
Frequency resolution:	1 Hz
Duty cycle:	10% to 90%
External modulation	
Delay time:	< 1 μ s / 180°
Period:	min. 20 μ s
Pulse width:	min. 10 μ s

Power meter

Frequency range:	9 kHz to 1 GHz
Linear measurement range	
channel 1:	-35 dBm to +27 dBm
channel 2,3:	-45 dBm to +20 dBm
Max. input/no damage	
channel 1-3:	+28 dBm
Noise level:	>5 dB below the measurement range
Input return loss:	>20 dB (below 500 MHz), >17 dB (500 MHz to 1 GHz)
Connector:	BNC socket, 50 Ω
Accuracy 10 to 30°C:	<0.5 dB, typ. <0.3 dB

NSG 4070B

TEST SYSTEM FOR CONDUCTED AND RADIATED IMMUNITY

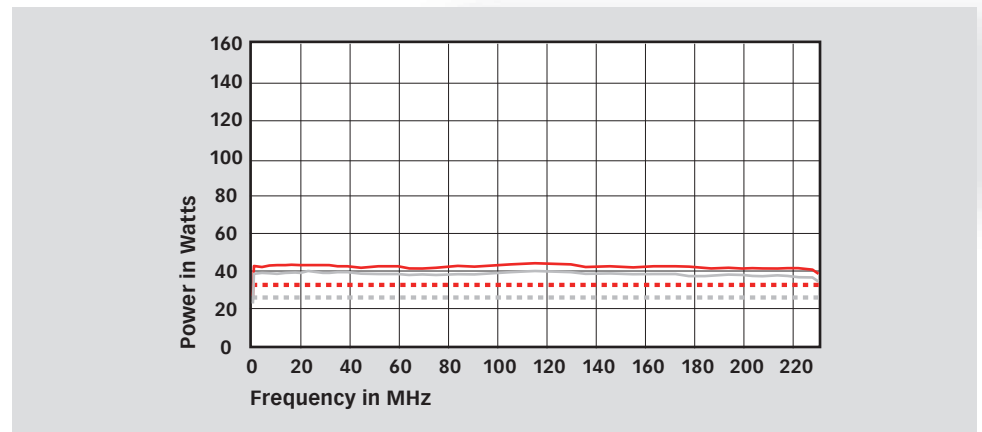
Power amplifier

Nominal output power:	35 W	40 W (preliminary)		45 W (preliminary)		80 W
Frequency range:	150 kHz to 230 MHz	10 kHz to 400 MHz		9 kHz to 1 GHz		150 kHz to 230 MHz
Input impedance:	50 Ω	50 Ω		50 Ω		50 Ω
Output impedance:	50 Ω	50 Ω		50 Ω		50 Ω
Input return loss:	min. 10 dB	min. 10 dB		min. 10 dB		min. 10 dB
Output return loss:	nominal min. 9.5 dB, 0 dB without damage	nominal min. 9.5 dB, 0 dB without damage		nominal min. 9.5 dB, 0 dB without damage		nominal min. 9.5 dB, 0 dB without damage
Gain:	min. 48 dB	10 kHz to 20 MHz min. 50 dB	20 MHz to 400 MHz min. 47 dB	min. 50 dB		min. 50 dB
Gain flatness:	max. +/- 3 dB	max. +/- 3 dB		max. +/- 3 dB		max. +/- 3 dB
Saturated output power:	min. 45.4 dBm	10 kHz to 20 MHz min. 46 dBm	20 MHz to 400 MHz min. 44.5 dBm	< 400 MHz 46.5 dBm	> 400 MHz 45.4 dBm	min. 49 dBm
Linear output power:	min. 44 dBm	10 kHz to 20 MHz min. 45 dBm	20 MHz to 400 MHz min. 43 dBm	< 400 MHz 45.4 dBm	> 400 MHz 43 dBm	min. 48 dBm
Max. input power without damage:	max. +10 dBm	max. +10 dBm		max. +10 dBm		max. +10 dBm
Harmonic distortion at linear output power:	typ. < -17 dBc	typ. < -20 dBc		typ. < -20 dBc		typ. < -20 dBc

NSG 4070B TEST SYSTEM FOR CONDUCTED AND RADIATED IMMUNITY

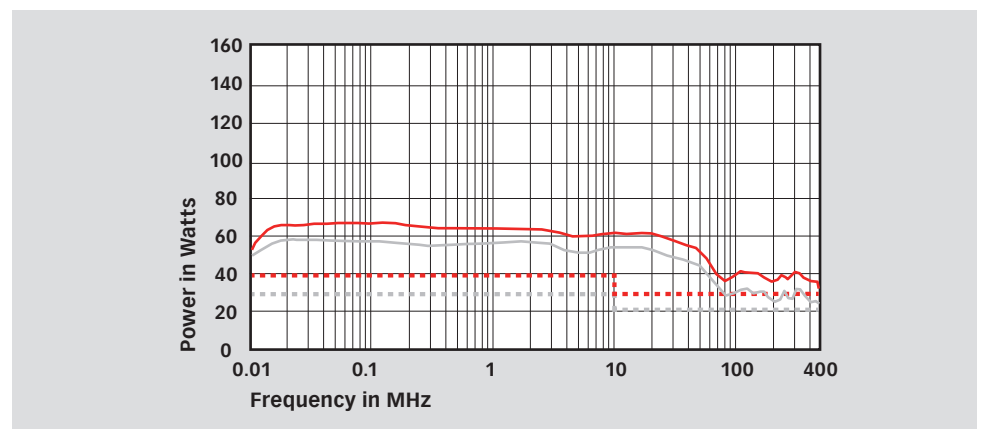
Power amplifier of NSG 4070B-35

— typical saturated power, — typical linear power,
- - - specification saturated power, - - - specification linear power



Power amplifier of NSG 4070B-40 (preliminary data)

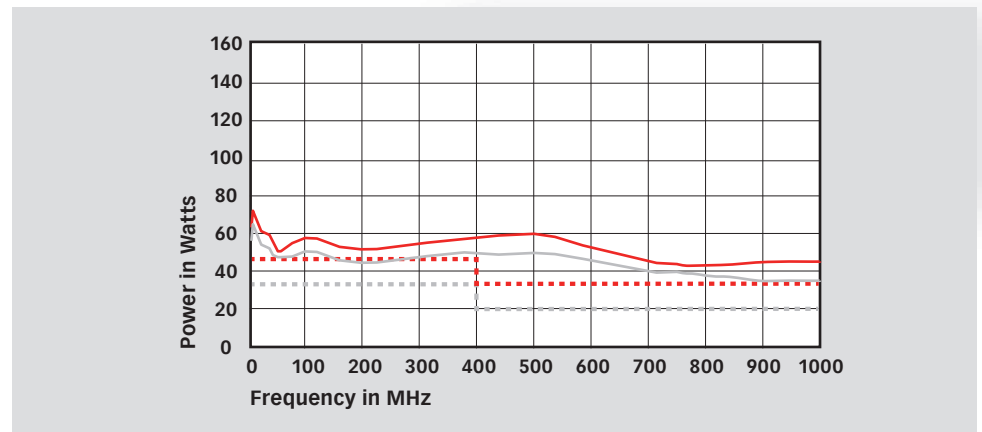
— typical saturated power, — typical linear power,
- - - specification saturated power, - - - specification linear power



NSG 4070B TEST SYSTEM FOR CONDUCTED AND RADIATED IMMUNITY

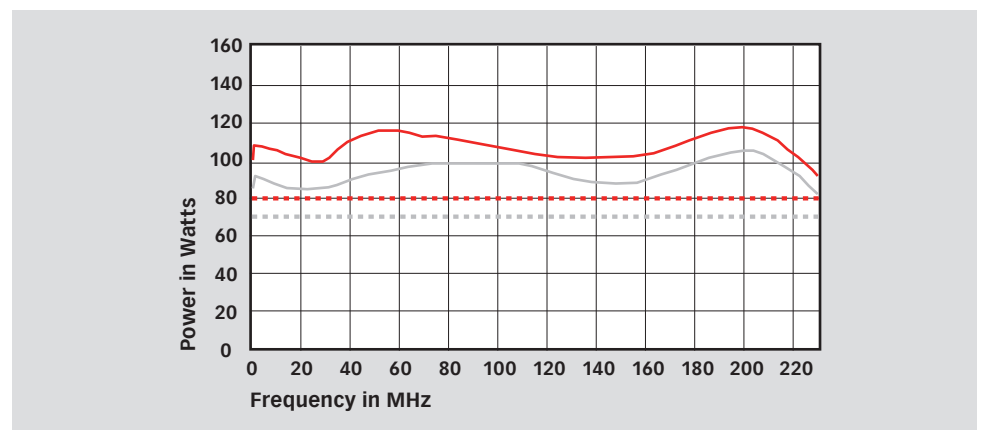
Power amplifier of NSG 4070B-45 (preliminary data)

— typical saturated power, — typical linear power,
- - - specification saturated power, - - - specification linear power

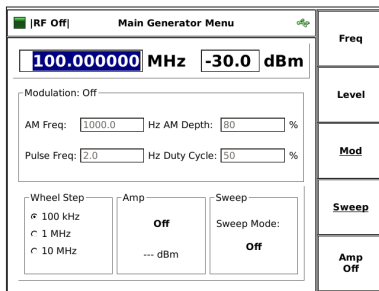


Power amplifier of NSG 4070B-80

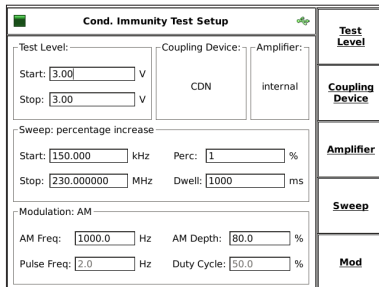
— typical saturated power, — typical linear power,
- - - specification saturated power, - - - specification linear power



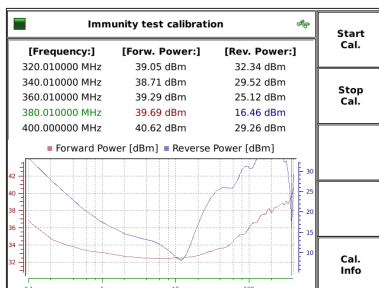
NSG 4070B TEST SYSTEM FOR CONDUCTED AND RADIATED IMMUNITY



Firmware: Main generator menu



Firmware: Immunity test setup



Firmware: Calibration result

Test and measurement routines

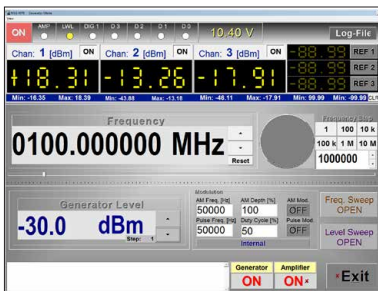
Firmware: Generator mode

Sweep:	Frequency sweep, level sweep
Modulation:	AM, AM PC (peak conservation), pulse modulation and external
Others:	Free parameter setting from 9 kHz to 1 GHz, high power mode using power amplifier

Firmware: Immunity mode

Level:	Constant or slope test levels, max test levels depending on power amplifier, test routine for IEC 61000-4-6 with free selectable test levels in the range 1 V to 30 V EMF, for BCI tests levels in mA or dBµA
Test methods IEC 61000-4-6:	CDN, EM clamp, current clamp and direct injection, clamp injection with test level control using monitoring probe
Test methods BCI:	substitution method with optional use of the monitoring probe, closed loop method with power limitation (factor adjustable)
Sweep:	Frequency sweep, sweep function linear, steps per decade, percental and as requested in ISO 11452
Modulation:	AM, AM PC (peak conservation), pulse modulation, external or mixed (e.g. 1 kHz AM internal modulated with 1 Hz PM external)
EUT monitoring:	Individual configuration of the port's functionality, display of events during the test, in the result file and in the test report
Calibration:	Test set-up and monitoring probe calibration, display, store and recall function of calibration files (limitation of file numbers only by the disk space, typical >340 files)
EUT threshold search:	Manual search by changing frequency or stress level
Store and recall:	Store and recall function of test configurations, calibration results and test results (number of files is only limited by the disk space, typical >340 files), supports USB sticks
Component check:	Quick check of system components, e.g. cable, attenuator max. 52 dB/54 dB/58 dB attenuation for 35 W/45 W/80 W amplifier, max. +16 dB gain at 27 dBm output level
Amplifier saturation check:	Validation that the power amplifier is not in saturation for the selected test level including 80% AM, see IEC 61000-4-6 Ed. 4 for more information (only available for firmware operation)
Additional features:	Free parameter setting from 9 kHz to 1 GHz, supports external power amplifier, RF switch SW 4070, monitoring probe MD 4070, directional coupler and attenuator

NSG 4070B TEST SYSTEM FOR CONDUCTED AND RADIATED IMMUNITY



Windows software

General:	The windows software includes the firmware functionality. The following additional features are available see below. The software allows the use of the report generator and all post processing features without the remote connection to the NSG 4070.
Remote control:	Remote control of NSG 4070 via LAN, USB or RS232
Data transfer:	Transfer between NSG 4070 and PC via remote connection or with USB stick

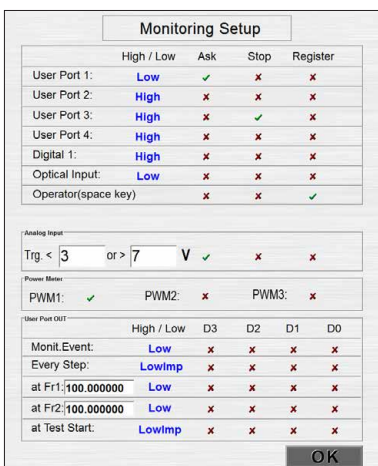
Software: Generator menu



Windows software: Generator mode

Display:	Power meter display (units dBm, V, dBμV) with reference value setting, min./max. display and export to a log file (frequency, time, power), EUT monitoring display
Single step mode:	Synchronized frequency sweep with power measurement, output as graph and ASCII file (application: scalar analysis on quadripole networks)

Software: Immunity test setup



Windows software: Immunity mode

Sweep:	Level sweep with start and stop value or with free editable table, level profile editor and sweep function for BCI tests
EUT threshold search:	Different opportunities for manual and automatic control
EUT monitoring:	Power meter use as EUT monitoring device, keyboard activity for test interrupt with possibility for writing test report comments (EUT reaction etc.), output control for user port
Additional features:	For each frequency step or each monitoring event output control for user port (to control a RF switch for the use of two amplifier)
One click report generation:	Tool for test report generation in rtf format, works with different user changeable templates, post processing of measurement data (input for test conditions, EUT parameters and comments), free changeable structure and items of the report, user support of repetitive inputs
Export function:	Result and calibration files can be converted to txt files, graphs can be zoomed and converted to jpg files

Software: EUT monitoring setup



Advanced Test Solutions for EMC

NSG 4070B TEST SYSTEM FOR CONDUCTED AND RADIATED IMMUNITY



NSG 4070 front panel with RF ports

Analog ports

Front panel	
Generator output:	N socket 50 Ω , 9 kHz to 1 GHz
Power amplifier input:	N socket 50 Ω , max. +10 dBm
Power amplifier output:	N socket 50 Ω
Power meter channel 1 to 3:	as defined in chapter "Power meter"
Back panel	
Monitoring input analog:	BNC socket, 0 to 24 V Ri=15 k Ω , 6 mV resolution
External modulation input:	BNC socket, impedance >10 k Ω , level: 1 Vpp to get 100% AM, 1 Hz to 50 kHz
10 MHz reference output:	BNC socket, approx. 1 Vpp/50 Ω

Digital ports

Front panel	
USB:	USB host connector for USB stick, keyboard, mouse
Back panel	
User port:	D-Sub 15 pole 4 TTL inputs 4 TTL outputs +12 V / 800 mA, -12 V / 200 mA, +5 V / 800 mA power supply
Monitoring digital input:	BNC socket 0 to 24 V via optical coupler Ri=1.5 k Ω , switching threshold approx. 2 to 3 V
Monitoring optical input:	LWL (Light wave connector), HP versatile link HFBR0501 series 40 kBd, (avoid scattered light on the back panel)
Trigger input:	BNC socket, TTL for external triggering, max. frequency 100 Hz, trigger delay <10 ms
RS232:	D-Sub 9 pole, up to 115200 Bd
RS232 optical:	Connector 2 x HFBRx523 socket for 1 mm fiber optic cable with length between 5 m and 30 m with 115200 Bd, for other distances 38400 Bd, max. 50 m
2x USB:	USB host connector for USB stick, keyboard, mouse
USB device connector:	For remote control
Network:	RJ45, Ethernet 10/100 BASE-T

NSG 4070B

TEST SYSTEM FOR CONDUCTED AND RADIATED IMMUNITY

Power supply

Power consumption	100 to 240 VAC 50/60 Hz autoranging	Recommended fuse F1 for nominal 110 V	Recommended fuse F1 for nominal 230 V
NSG 4070B-0	approx. 80 W	1 A (slow)	0.5 A (slow)
NSG 4070B-35, NSG 4070B-40, NSG 4070B-45 and NSG 4070B-80	approx. 415 W	6.3 A (slow)	2.5 A (slow)

General data

Operating temperature range:	0°C to 40°C
Storage temperature range:	-20°C to 60°C
Relative humidity:	95%/30°C (no moisture condensation)
EMC:	DIN/EN 61326-1:2006
Shock:	DIN/EN 60068-2-27
Vibration:	DIN/EN 60068-2-6
Protection class:	DIN/EN 61010-1/IEC 61010-1

Mechanical specifications

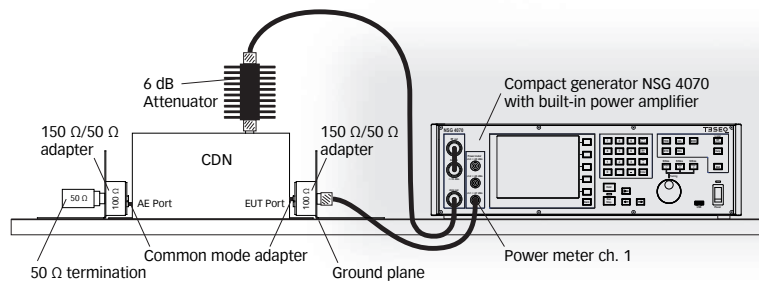
Size (W x H x D) :	45 cm (19") x 15 cm (3HU) x 42.3 cm (with handle bar and foot)
Weight:	approx. 15 kg (with internal power amplifier), approx. 8 kg (without internal power amplifier)
Size of cardboard box:	80 cm x 61 cm x 34 cm (also for options ATN 60xx and/or LE 4070 additional space available)
Weight of cardboard box:	approx. 8 kg (empty)

NSG 4070B TEST SYSTEM FOR CONDUCTED AND RADIATED IMMUNITY

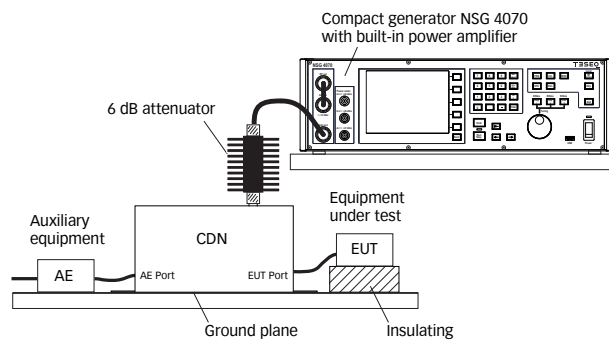


NSG 4070 with CDNs

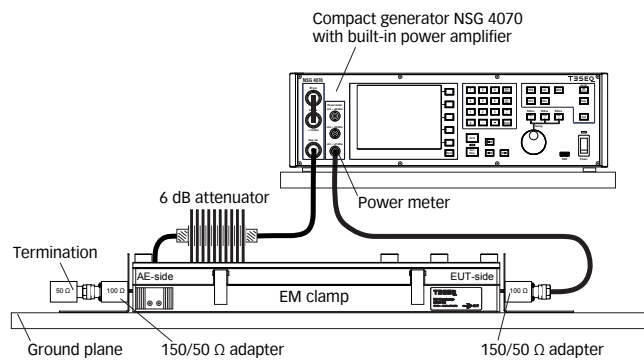
Application for IEC/EN 61000-4-6, calibration set-up with CDN



Application for IEC/EN 61000-4-6, EUT set-up with CDN



Application for IEC/EN 61000-4-6, calibration set-up with EM clamp



ATN 6075, 6 dB attenuator, 75 Watts

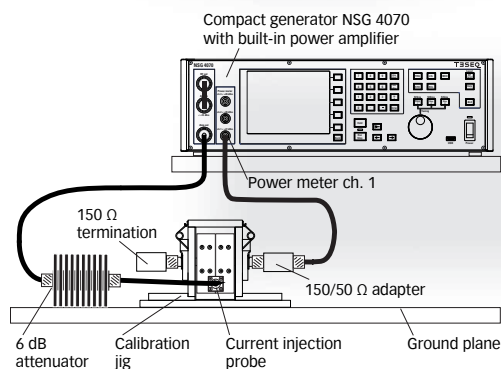
NSG 4070B TEST SYSTEM FOR CONDUCTED AND RADIATED IMMUNITY



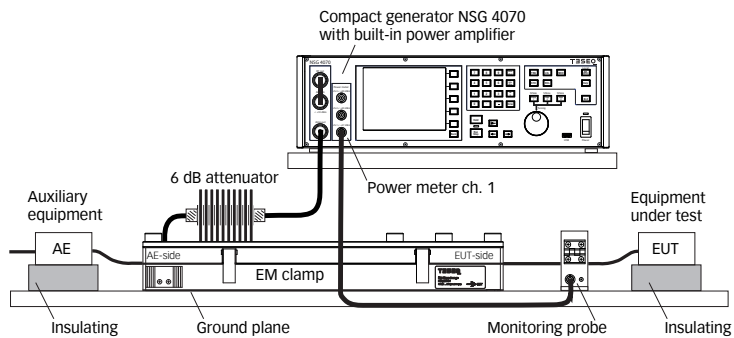
LE 4070, RF cable set for NSG 4070, consist of:

- RF cable, N(m)-N(m), 3 m with one right-angle plug, RG223;
- RF cable, N(m)-BNC(m), 2 m, RG223;
- RF cable, BNC(m)-N(m), 250 mm;
- RF cable, N(m)-N(m), 120 mm;
- Adapter N(m)-N(m);
- Adapter N(f)-BNC(m)

Application for IEC / EN 61000-4-6, calibration set-up with current injection probe



Application for IEC / EN 61000-4-6, EUT set-up with EM clamp or current injection probe and for example with use of a monitoring probe



Power recommendation, 150 kHz to 230 MHz, achievable test levels with 6 dB attenuator, 0.5 dB cable loss, max. insertion loss of the coupling device and AM with 80% modulation depth

Amplifier module:	35 W	40 W	45 W	80 W
CDN (VDF = 10.5 dB):	19 V EMF	21 V EMF	22 V EMF	30 V EMF
EM clamp (KEMZ 801A):	14 V EMF	15 V EMF	16 V EMF	20 V EMF
Current injection clamp (CIP 9136A):	6 V EMF	6 V EMF	7 V EMF (typ.)	10 V EMF (typ.)



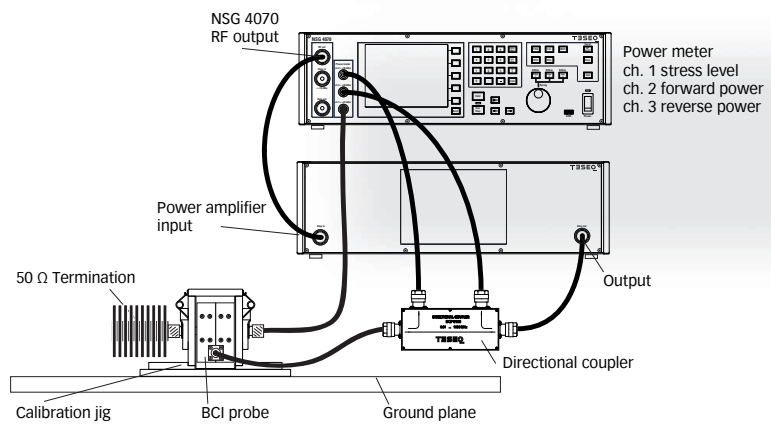
Advanced Test Solutions for EMC

NSG 4070B TEST SYSTEM FOR CONDUCTED AND RADIATED IMMUNITY

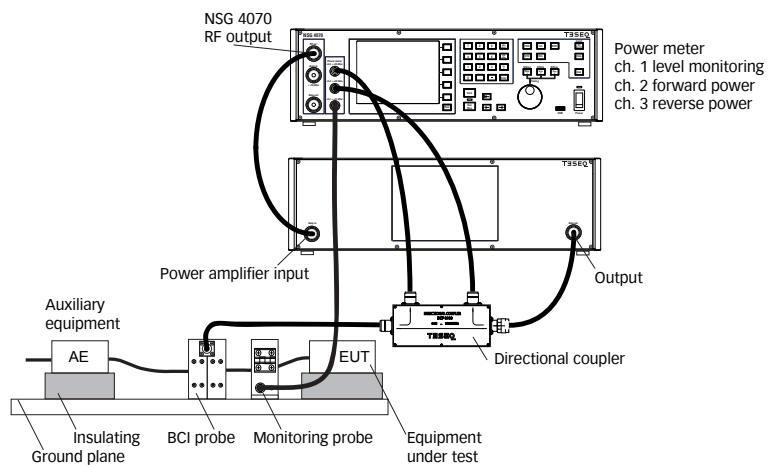


NSG 4070-0 combined with RF switch network and power amplifiers for a complex solution e.g. automotive BCI solution

Application for automotive BCI, calibration set-up (example with external power amplifier and directional coupler)

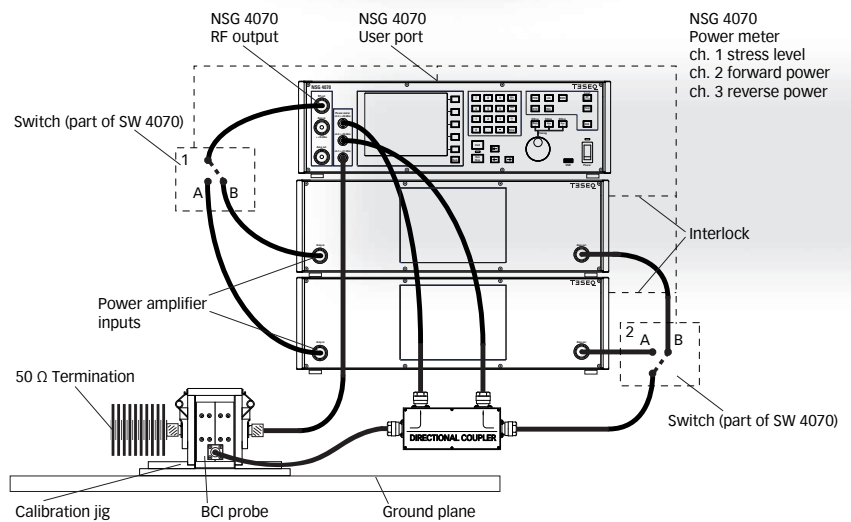


Application for automotive BCI, EUT set-up with monitoring probe (example with external power amplifier and directional coupler)

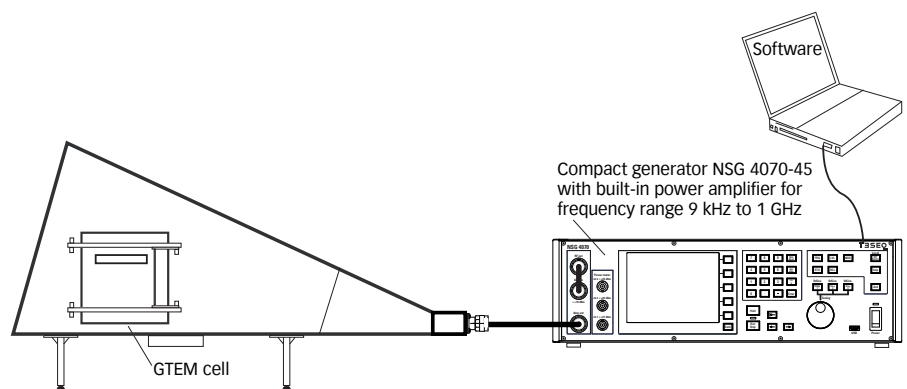


NSG 4070B TEST SYSTEM FOR CONDUCTED AND RADIATED IMMUNITY

Application for automotive BCI with two power amplifiers, calibration set-up



Application for IEC/EN 61000-4-20 up to 1 GHz (example with NSG 4070-45; field probe control requires optional software e.g. WIN 6000)



NSG 4070B TEST SYSTEM FOR CONDUCTED AND RADIATED IMMUNITY



NSG 4070 with rack mounting kit



MD 4070 monitoring probe



SW 4070, RF switch network 2xSPDT

Teseq GmbH
Landsberger Str. 255 · 12623 Berlin · Germany
T +49 30 56 59 88 35 F +49 30 56 59 88 34
deinfo.teseq@ametek.com www.teseq.com

© January 2016 Teseq®
Specifications subject to change without notice.
Teseq® is an ISO-registered company. Its products are designed and manufactured under the strict quality and environmental requirements of the ISO 9001. This document has been carefully checked. However, Teseq® does not assume any liability for errors or inaccuracies.

82-253290 E08 January 2016

Delivery items for the NSG 4070 series

Compact immunity test system NSG 4070, 9 kHz to 1 GHz RF generator and power meter (power amplifier as selected); remote control software on USB stick; spare fuses (2); RS232 cable (Nullmodem); USO 4013 (USB to serial/optical converter with 20 m optical cable); LAN cable, crossover, 3 m; keyboard (English); mains cable GB, CH, USA/JP, EU; operating manual

Model No. and options

Part number	Description
253293	NSG 4070B-0 Compact immunity test system NSG 4070, 9 kHz to 1 GHz RF generator and power meter (without power amplifier)
253882	NSG 4070B-35 Compact immunity test system NSG 4070, 9 kHz to 1 GHz RF generator and power meter (with 35 W module 150 kHz to 230 MHz)
257407	NSG 4070B-40 Compact immunity test system NSG 4070, 9 kHz to 1 GHz RF generator and power meter (with 40 W module 10 kHz to 400 MHz)
253296	NSG 4070B-45 Compact immunity test system 9 kHz to 1 GHz, RF generator, power meter and 45 W power amplifier
253883	NSG 4070B-80 Compact immunity test system NSG 4070, 9 kHz to 1 GHz RF generator and power meter (with 80 W module 150 kHz to 230 MHz)
97-253290	NSG 4070-TC Traceable calibration (ISO17025), order only with the device
98-253290	NSG 4070-DAkKS DAkKS calibration (ISO17025), order only with the device
253840	NSG 4070 Rack Rack mounting kit for NSG 4070 (red handles)
253850	SW 4070 Option for NSG 4070: RF-Switch network 2x SPDT
253900	MD 4070 Monitoring device (current sensing probe) active / passive with PSU 6001 and LE 242 in storage case
252052	PCJ 9201B Calibration jig for current probes
252054	FIX MD4070 Positioning fixture for MD 4070 in PCJ 9201
253104	LE 4070 RF cable set for NSG 4070
235309	ATN 6050 Attenuator 50 W cw N(f)-N(f)
235307	ATN 6075 Attenuator 75 W cw N(f)-N(f), incl. cable LE 213