

For Testing to these Specifications:

- DO 160 Section 19
- Boeing D6-16050-5 Section 7.2.2

The *AE Techron T1000 Magnetic-Field Susceptibility Transformer* was designed to exceed the AF Magnetic Field susceptibility test requirements of DO 160 Section 19 and Boeing D6-16050-5 Section 7.2.2.

It may also be used as 10-to-1 step-down transformer for output currents of up to 100 A_{RMS}.

The T1000 transformer provides up to 300 A/m and is able to generate up to 100A. The turns ratio provides a ten-to-one step down to the secondary winding.

The T1000 provides convenient input connectors via binding posts. Standard 0.75-inch spacing of binding posts allows use of standard plugs. Output is via Multi Contact 125A plugs.

A 12-amp circuit breaker protects the unit against over-current conditions. A rugged, impact-resistant case and robust design protects the transformer from accidental damage.

The T1000 transformer is for use by experienced staff.

Specifications

Primary:

200V maximum input

Secondary:

20.0 V_{RMS} maximum output

Dielectric Test:

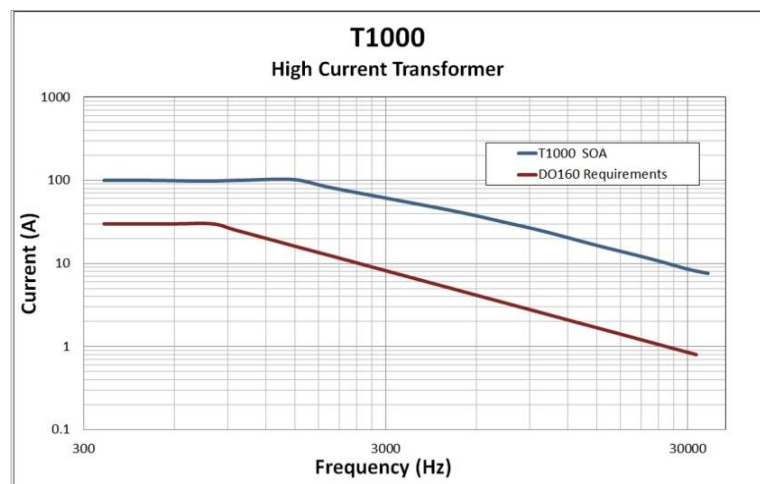
1200 V_{RMS}



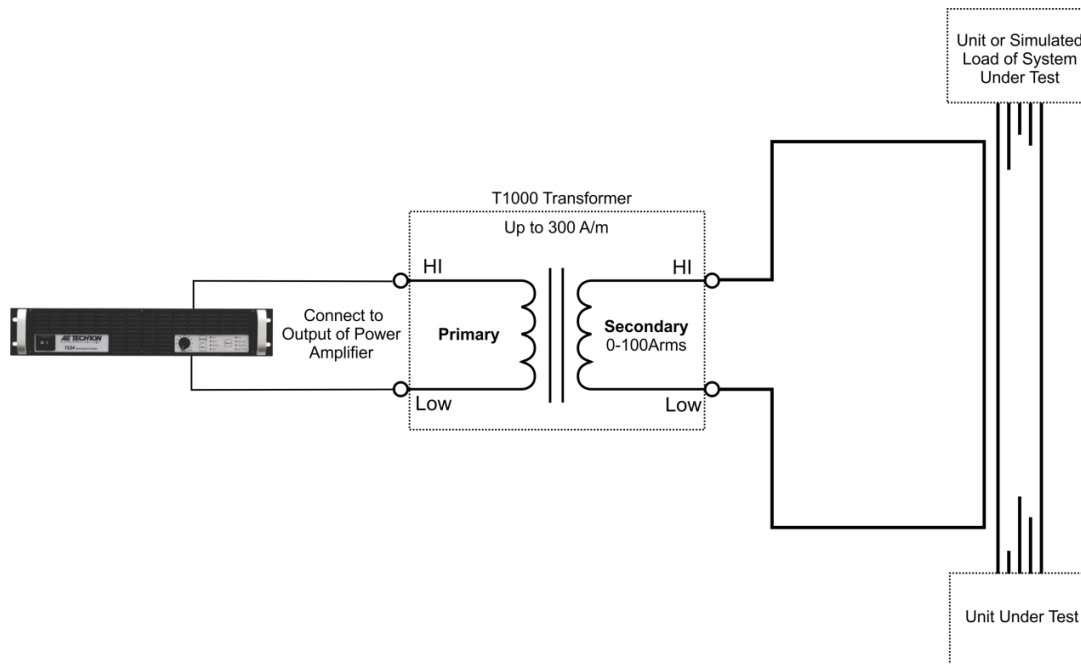
T1000 TRANSFORMER SPECIFICATION SHEET

Features

- Up to 100 A_{RMS} secondary current
- Exceeds AF Magnetic Field test requirements of DO 160 Section 19 and Boeing D6-16050-5 Section 7.2.2
- Circuit breaker protected from over-current
- Durable steel and high-density polyethylene case for impact resistance



T1000 Maximum SOA (Safe Operating Area)



Sample Application – DO-160 Section 19 Test Load Wiring

Turns Ratio:

Ten-to-one step down

Protection:

Input power-protected via circuit breaker

Controls and Connectors

Input Terminals:

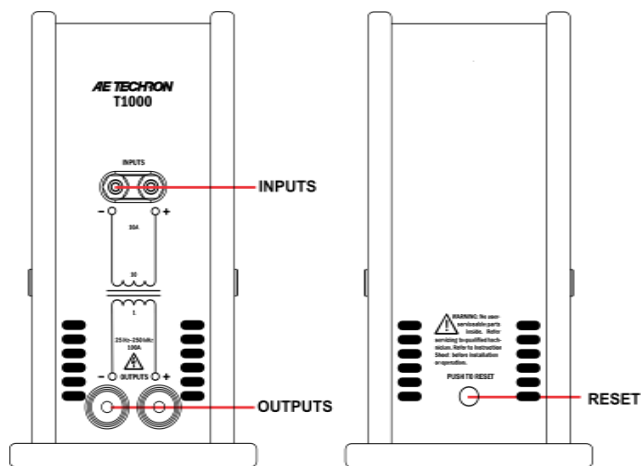
4-way binding posts

Output Terminals:

Multi Contact 125A plugs

Circuit Breaker:

Primary input limited to 12A; push to reset



T1000 Controls and Connectors

Physical Characteristics

Case:

Steel interior shell with a durable external shell made from high-density polyethylene for impact resistance.

Recommended Ambient

Temperature:

25°C (77°F)

Cooling:

Natural air convection

Weight:

15 lbs. (6.8 kg)

Dimensions (WxDxH):

5.25 in. x 10.375 in. x 9.75 in. (13.3 cm x 26.4 cm x 24.8. cm)

AE Techron Sales Representative