



Advanced Test Equipment Corp.

www.atecorp.com 800-404-ATEC (2832)

EMI CURRENT MEASUREMENT
USING
SOLAR TYPE 9123-1N CURRENT PROBE
SERIAL NO: 065737

March 25, 1992

REVISED
June 1, 1992

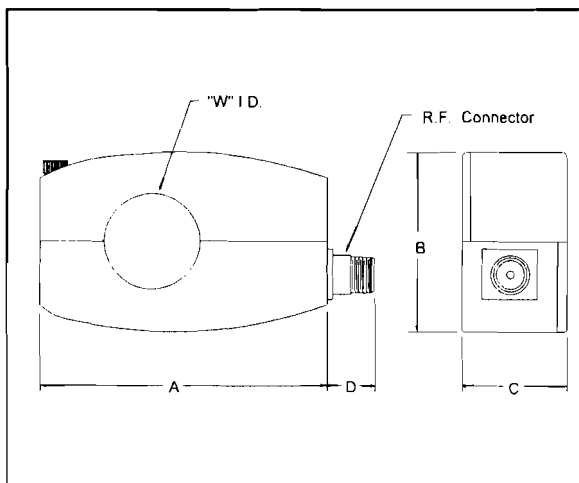
SOLAR ELECTRONICS COMPANY
a Division of A.T. Parker, Inc.
10866 CHANDLER BOULEVARD
NORTH HOLLYWOOD, CALIFORNIA 91601
Telephone: (818) 755-1700, Fax.: (818) 755-0078

SOLAR TYPE 9123-1N CURRENT PROBE.

1.3. Specifications

Frequency Range	10 kHz to 500 MHz.
Transfer Impedance (Z_T)	1.0 to 5.0-ohms above 150 kHz.
Output Load Impedance	$50 \pm j 0$ ohms.
Continuous Signal Current (CW)	40 A.
Maximum Power Current	200 A. dc to 400 Hz.
Maximum Power Voltage	Limited by the conductor under test.
Peak Pulse Current	60 Amp. Maximum.
Weight	0.55 kg (1.2 Lbs).
Probe Circuit	Inserted Primary Toroidal Transformer.
Connector	Type "N" Female.
Fastening	Thumb Screw.

Dimensions:



A:	4.5"(114.0 mm)
B:	3.0" (76.0 mm)
C:	1.375(35.0 mm)
D:	0.75"(19.0 mm)
W:	1.25"(33.0 mm)

SOLAR ELECTRONICS CO.