



**Advanced Test Equipment Rentals**  
**www.atecorp.com 800-404-ATEC (2832)**



**INSTRUCTION MANUAL  
FOR  
TCR 1 Phase  
POWER SUPPLY**

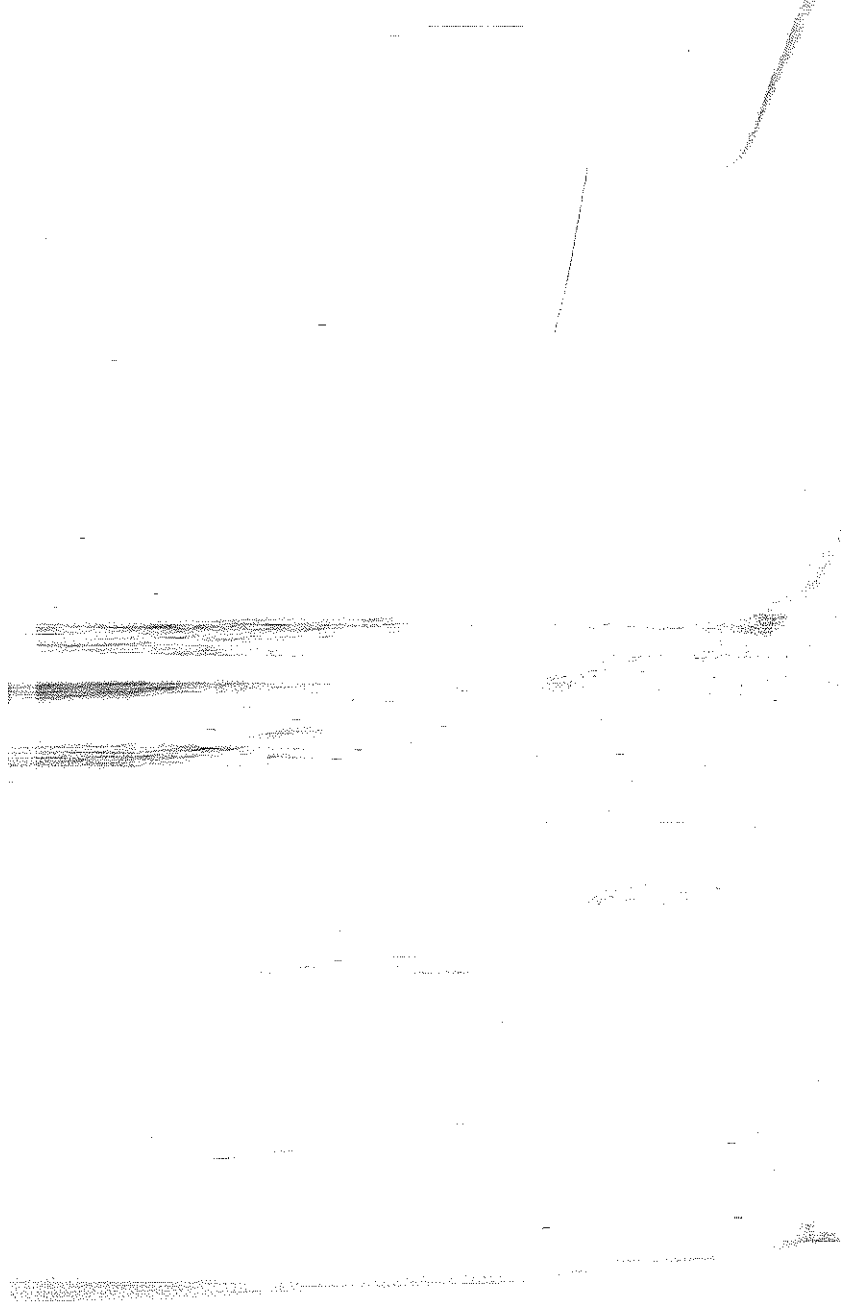
MODEL \_\_\_\_\_

SERIAL NO. \_\_\_\_\_

**ELECTRONIC MEASUREMENTS, INC.**  
405 ESSEX ROAD, NEPTUNE, NJ. 07753  
Tel: (908) 922-9300  
Fax: (908) 922-9334

83-470-001 REV. D

1  
2  
3  
4  
5  
6  
7  
8  
9  
10  
11  
12  
13  
14  
15  
16  
17  
18  
19  
20  
21  
22  
23  
24  
25  
26  
27  
28  
29  
30  
31  
32  
33  
34  
35  
36  
37  
38  
39  
40  
41  
42  
43  
44  
45  
46  
47  
48  
49  
50  
51  
52  
53  
54  
55  
56  
57  
58  
59  
60  
61  
62  
63  
64  
65  
66  
67  
68  
69  
70  
71  
72  
73  
74  
75  
76  
77  
78  
79  
80  
81  
82  
83  
84  
85  
86  
87  
88  
89  
90  
91  
92  
93  
94  
95  
96  
97  
98  
99  
100



# TCR 1 Phase OPERATION SYSTEM MANUAL

## Table of Contents

		PAGE
I	GENERAL INFORMATION	
	1.1 Introduction	1
	1.2 Specifications	1
II	INSTALLATION	
	2.1 Initial Inspection	4
	2.2 Power Requirements	4
	2.3 Cooling	5
	2.4 Mechanical	5
III	OPERATION INSTRUCTION	
	3.1 Turn-On Check Out Procedure	6
	3.1.1 Over Voltage Output	7
	3.2 General Operation	7
	3.3 Modes of Operation	8
	3.3.1 Normal Operation	8
	3.3.2 Remote Sensing	9
	3.3.3 Remote Programming	10
	3.3.4 Remote Programming by External Resistance	10
	3.3.5 Remote Programming by External Voltage	11
	3.3.6 Remote Programming by External Current	12
	3.3.7 Parallel Operation	13
	3.3.8 Parallel Operation-Master/Slave	14
	3.3.9 Series Operation	15
	3.3.10 Remote Meters	19
IV	PRINCIPLES OF OPERATION	
	4.1 General	16
	4.2 Power Flow	16
	4.3 Signal Flow	17
	4.4 SCR Firing Circuit	18
	4.5 Metering and Auxiliary Functions	19
V	MAINTENANCE AND TROUBLESHOOTING	
	5.1 General	20
	5.2 Inspection and Cleaning	20
	5.3 Calibration	20
	5.3.1 Voltage and Current Source Adjustments	20
	5.3.2 Firing Balance	21
	5.4 Troubleshooting	21
	5.4.1 Overall Troubleshooting Procedure	22

5.4.2	Troubleshooting Chart	22
5.4.3	Overvoltage Troubleshooting	24
5.5	Diode Replacement	24

### LIST OF ILLUSTRATIONS

FIGURE 1:	Front Panel Control and Indicators
FIGURE 2:	Normal Operation
FIGURE 3:	Remote Sensing
FIGURE 4:	Remote Programming by External Resistance, Voltage Mode
FIGURE 5:	Remote Programming by External Resistance, Current Mode
FIGURE 6:	Remote Programming by External Voltage, Voltage Mode
FIGURE 7:	Remote Programming by External Voltage, Current Mode
FIGURE 8:	Remote Programming by External Current, Voltage Mode
FIGURE 9:	Remote Programming by External Current, Current Mode
FIGURE 10:	Parallel Operation - Master / Slave
FIGURE 11:	Parallel Connection - Master / Slave

## FIVE-YEAR WARRANTY

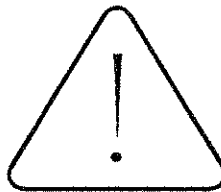
Electronic Measurements, Inc. warrants that this equipment manufactured by Electronic Measurements, Inc. and sold by us or our authorized agents to a manufacturer or the end user to be free from defects in material or workmanship. Our liability under this warranty is limited to servicing and repair or replacement of parts when equipment is returned to us with transportation charges prepaid within a period of five years after original shipment and when the equipment is shown by our inspection to be thus defective, normal wear and tear excepted.

This warranty does not apply to equipment subjected to abuse or incorrect installation or operation, nor to equipment repaired or modified outside of the Electronic Measurements, Inc. Factory unless prior written approval to make such repairs or modifications has been received from the factory. The foregoing warranty is in lieu of all other expressed or implied warranties except of title.

## CAUTION

While this supply is designed for safe operation, certain precautions must be observed. This unit is intended to be operated by technically competent personnel generally familiar with the principles of electrical safety

Whenever the ac power supply circuit is energized there are EXPOSED LETHAL VOLTAGES within the enclosure. Hence, the supply circuit must be turned off by unplugging the unit or, in the case of hard wired units to the power source, removing the line fuses or securing the breaker supplying the unit before attempting any operation requiring entry. Remember that even after the line is disconnected, energy can still be stored in capacitors and such unexpected places as the interwinding capacitance of transformers.



# ELECTRICAL STANDARDS

All company primary standards are either certified directly or are traceable to certification by the National Institute of Standards and Technology.

## CLAIM FOR DAMAGE IN SHIPMENT

This instrument received comprehensive mechanical and electrical inspection before shipment. Immediately upon receipt from the carrier, and before operation, this instrument should be inspected visually for damage caused in shipment. If such inspection reveals internal or external damage in any way, a claim should be filed with carrier. A full report of damage should be obtained by the claim agent and this report should be forwarded to us. We will then advise you of the disposition to be made of the equipment and arrange for repair or replacement. When referring to this equipment, always include the model and serial numbers.

## RETURNING EQUIPMENT

Before returning any equipment to the factory, the following steps should be taken.

1. Notify Electronic Measurements, Inc., Customer Service Department at 908-922-9300. Give a full description of the difficulty, including the model and serial number of the unit in question. Upon receipt of this information, we will assign a Return Material Authorization number (RMA) and give you shipping instructions.
2. Equipment returned to us must be packed in a manner to reach us without damage. The shipping container must be marked with the RMA number in an area approximate to the shipping label with numbers that are easily read. All returned units that do not show the RMA number on the outside of the container will be refused.
3. For non-warranty repairs, we will submit a cost estimate for your approval prior to proceeding.

**MEMORANDUM TO USERS OF E/M POWER SUPPLIES IN RACK INSTALLATIONS**

All E/M power supplies have been designed and tested to provide full rated current and voltage throughout the specified line voltage range at the rated ambient air temperature. To achieve this maximum rating, airflow as provided by the internal fans, proportioned and directed by chassis openings and internal partitions, must not be impeded. It is not required but is desirable to prevent blocking air openings on the top of the supply.

On 3 Phase supplies air enters the unit on the right-hand side at the location of the fans and is transferred through the supply in a horizontal direction toward the left. Airflow is reduced any time there is a negative pressure at the air inlet or positive pressure at the air outlet. Each fan is capable of providing 100 to 300 cubic feet per minute airflow (CFM) at zero static pressure. The supply itself produces some restrictions to this flow so that approximately 80% of the airflow is available. As static pressure increases, caused by additional restriction of airflow external to the power supply, the efficiency of the fans drops significantly and airflow is greatly reduced. This reduction in airflow causes a substantial increase in internal temperatures of the supply, frequent thermostat shut down and reduced power supply reliability.

On 1 Phase TCR power supplies, air enters the sides of the power supply and is exhausted out the rear. On the EMS series, air enters the unit by means of slots in the front panel and along the sides and exits primarily from the rear. The same airflow considerations as previously discussed are still applicable.

Ideally, when power supplies are mounted in a rack, the rack should have no sides or rear covers. Since this is usually not practical or safe, the installer must consider the effect of any enclosure on power supply airflow. Since the power supplies are heavy, they must be supported by some sort of rail along the sides of the supply, front to rear. This rail must be chosen for proper strength but must not be either too close to or extend up too far along the side of the supply or airflow will be blocked. To minimize vertical height use an angle iron of substantial cross section and unequal leg dimension. Do not support the power supply from the front panel only in an attempt to minimize this problem. The rail does not need to be continuous from front to back to support but for safety and ease of installing and removing the supply it usually is.

Most commercial racks are available with louvered side panels and doors. Side panels are also available with an external depth which provides an additional plenum space on each side of the rack for improved airflow.

Burn-in systems impose two additional considerations for power supply installation. The supply rack is often placed next to the oven and is sometimes integral with the oven. The thermal insulating qualities of the oven both through

conduction, convection and radiation can impact substantial heat to the power supply rack and subsequently to the power supplies. If it is possible, separate the supply rack from the oven by a combination of space, insulation, reflective surfaces or moving air.

The ambient in burn-in rooms, especially in tropical climates can also be very hot. Frequently high humidity is also present. This situation, while not ideal for power supply longevity, should itself cause little difficulty. When combined with insufficient airflow, however, it can significantly affect power supply reliability and the usable output current capability of the power supply.

The rack must exchange with ambient temperature air the same number of CFM as the power supplies circulate or the power supply exhaust air will be recirculated many times resulting in a continuously rising temperature until some elevated thermal equilibrium is reached. Each 3 1/3" fan in the system transfers 40 CFM while each 4 5/8" fan moves as much as 140 CFM. Air must be exchanged from outside to inside to outside the rack at a CFM value equal to the sum of the CFM ratings of all of the fans in all of the power supplies. In addition, this transfer must be accomplished in such a way as to not impede each power supplies' internal airflow. When figuring out how to accomplish this in any given installation, consider any action which would tend to increase air pressure at air inlet points is beneficial to supply cooling.





## Manufacturer's Product Declaration

### INTENDED PURPOSE (USE)

The Power Supplies described by this manual are defined by Electronic Measurements, Inc. as a component for use in the composition of an apparatus as defined in Article 1 (1) of the EMC Directive (89/336/EEC). These products, as individual components, do not perform in themselves a direct function for the user of the end product. They are not intended to be placed on the market with a direct function to a final user! As such, the products described by this manual are not subject to the provisions of the EMC Directive (89/336/EEC, with amendment 92/31/EEC). The products described by this manual are intended for incorporation into a final product by a professional assembler. It is the responsibility of the assembler to ensure that the final apparatus or system incorporating our products complies with all relevant EMC standards for that final product.

### OPERATING ENVIRONMENT

The operating environment as defined by Electronic Measurements, Inc. for the products described by this manual is stated as follows:

The Power Supplies described by this manual are intended for use in a protected industrial environment or in proximity to industrial power installations. These locations are often referred to as industrial locations containing establishments that are not connected to the low voltage public mains network.






Industrial locations are characterized by the existence of one or more of the following conditions:

- 1) industrial, scientific and medical (ISM) apparatus are present;
- 2) heavy inductive or capacitive loads are frequently switched;
- 3) currents and associated magnetic fields are high;
- 4) location supplied by their own transformer.

These components are not intended for connection to a public mains network, but are intended to be connected to a power network supplied from a high or medium-voltage transformer dedicated for the supply of an installation feeding manufacturing or similar operations. They are suitable for use in all establishments other than domestic and those directly connected to a low voltage power supply network which supplies buildings used for domestic purposes.



Description of symbols used in product labeling

SYMBOL	PUBLICATION	DESCRIPTION
	EC Council directive 93/68/EEC	European Community Conformity Assessment Product Mark
	IEC 348	Attention, consult accompanying documents
	IEC 417-5036	Dangerous voltage
	IEC 417-5017	Protective earth (ground)
	IEC 417-5019	Earth (ground)

# I GENERAL INFORMATION

## 1.1 DESCRIPTION

This manual contains operation and maintenance instructions covering the Electronic Measurements, Inc. series of Single Phase TCR controlled power supplies. These supplies are constant voltage/constant current automatic crossover sources of regulated dc power. They are packaged in three different size rack enclosures.

## 1.2 SPECIFICATIONS

The following specification describes the operational characteristics of this series of power supplies. All units are shipped with AC barrier strip located on the back of the unit.

Available Rating Sizes:	600W, 1000W, 1800W, 2600W
AC Input:	600W - 115 +/- 10% 47-63 Hz
	1000W - 115 +/- 10% 47-63 Hz
	1800W - 115 +/- 10% 47-63 Hz
Note: All above units have an optional input of 208/220 +/- 10%, 47-63 Hz.	
	2800W - 208/220 +/- 10% 47-63 Hz

(See rating and additional specifications chart, on page 3, for line current at the nominal input voltages)

### 1.2.1 Regulation

Constant voltage mode: Variations in output current from 5 to 100% of maximum rating cause output voltage variations of less than 0.1% of the output voltage setting when output is 50 to 100% of the maximum rating. Below 50% output voltage, output variation will not exceed 0.05% of maximum output.

Constant current Mode: Variations in output voltage from 5 to 100% of maximum rating cause output current variations of less than 0.1% of the output voltage setting when output is 50 to 100% of the maximum rating. Below 50% output current, output variation will not exceed 0.05% of maximum output.

Ripple: Measured with either positive or negative grounded, maximum output voltage and full current into a resistive load. (See Rating Chart) At 50Hz AC input ripple is 30% above 60Hz ratings.

Stability: The output voltage or current will remain within  $\pm 0.05\%$  for 8 hours after warm-up, with constant line, load and temperature.

Transient Response: A 30% step increase in power demanded by the load will cause a transient in the regulated output which will typically recover to within 2% of final value within 75ms.

Temperature Coefficient: Output voltage T.C. is 0.02% / °C of maximum rating.  
Output current T.C. is 0.03% / °C of maximum rating.

Operating Temperature: 0 to 40°C with no derating required. Consult factory for output rating at higher temperatures.

Storage Temperature: -40 to +85°C.

### 1.2.2 General

Resolution: The voltage control is a ten turn potentiometer. The current control is a one turn cermet type potentiometer.

Indicators: Voltmeter, ammeter and mode of operation indicator lights. The meters are available either as analog or digital at no additional cost.

Controls: Circuit breaker on-off control voltage and current controls.

Cooling: All units are fan cooled and thermostatically protected. Air enters at sides of unit and exits at the rear. Consequently, no heat will be applied to other equipment above or below the power unit.

<u>Size:</u> 600W and 1000W	3 1/2" x 19" x 18 1/2" (89mm x 483mm x 471mm)	58 pounds 27 Kg
1800W	5 1/2" x 19" X 18 1/2" (140mm x 483mm x 471mm)	85 pounds 39 Kg
2800W	7" x 19" x 18 1/2" (178mm x 483mm x 471mm)	150 pounds 68.2 Kg

RATING AND ADDITIONAL SPECIFICATIONS					
VOLTAGE	CURRENT (AMPS)	CV-RMS RIPPLE	CC-RMS RIPPLE	% EFF (NOMINAL)	AC INPUT CUR @ @ NOM. AC INPUT
0 - 7.5	70	80mV	640mA	62	10
	115	75mV	1000mA	63	15
	200	80mV	1920mA	65	30
	300	80mV	2990mA	66	25
0 - 10	50	80mV	320mA	65	10
	90	75mV	600mA	65	15
	165	80mV	1200mA	68	30
	240	80mV	1680mA	69	25
0 - 20	30	80mV	100mA	67	10
	50	60mV	120mA	67	15
	90	80mV	320mA	70	30
	135	80mV	480mA	73	25
0 - 40	15	100mV	33mA	68	10
	25	60mV	60mA	68	15
	45	100mV	100mA	75	30
	70	100mV	150mA	80	25
0 - 60	10	120mV	18mA	70	10
	18	70mV	15mA	70	15
	30	90mV	39mA	81	30
	45	90mV	60mA	81	25
0 - 80	8	150mV	11mA	75	10
	13	80mV	10mA	77	15
	23	120mV	30mA	83	30
	34	100mV	35mA	82	25
0 - 150	4	300mV	6mA	80	10
	7	150mV	5mA	80	15
	12	200mV	13mA	84	30
	18	200mV	20mA	84	25
0 - 300	2	500mV	3mA	84	10
	3	250mV	3mA	85	15
	6	300mV	5mA	87	30
	9	300mV	8mA	85	25
0 - 600	1	1000mV	2mA	87	10
	1.6	700mV	2mA	87	15
	3	700mV	4mA	88	30
	4.5	750mV	5mA	85	25

## II INSTALLATION

### 2.1 INITIAL INSPECTION

Before shipment, this instrument was inspected and found to be free of mechanical and electrical defects. As soon as the unit is unpacked, inspect for any damage that may have occurred in transit. Check for broken knobs or connectors, that the external surface is not scratched or dented, meter faces are not damaged and that all controls move freely. Any external damage may be an indication of internal problems.

**NOTE:** If any damage is found, follow the "Claim for Damage in Shipment" instruction in the warranty section of this manual.

### 2.2 POWER REQUIREMENTS

A suitable source of AC power is required for this supply. The unit will operate on 50 or 60Hz line frequency. The line impedance from the power source should be fairly low since high peak currents are drawn. The service rating and connecting wire AWG size is in the table shown below. Note that this rating is not the actual specified line current, but a slightly higher service rating.

UNIT	120 VOLTS SERVICE RATING	AWG #	220 VOLTS SERVICE RATING	AWG #
600 W 800 W	20 A	12	10 A	16
1800 W	30 A	10	20 A	14
2800 W	NOT AVAILABLE	10	30 A	12

Load line power runs should be made with conductor size to match the current ratings of the supply. The following chart may be helpful in determining the proper size.

CURRENT Amps	RECOMMENDED AWG #
200	4/0
150	2/0
100	0
80	3
70	4
50	6
40	8
30	10
15	14
10	16
8	18
6	20
LESS	20

### 2.3 COOLING

Each power supply enclosure is cooled by a suitable sized blower fan exhausting warm air to the rear. Fresh air intake is from each side. None of the surfaces of the supply radiates heat to adjacent equipment. At least five inches of space should be allowed behind the supply and one inch along each side in the vicinity of the air inlet holes for unimpeded air flow.

### 2.4 MECHANICAL

The supply is capable of being rack or bench mounted. Horizontal mounting is preferred. However mounting in any position is allowed. For rack mounting, additional support other than that provided by the front panel is required, except for short term stationary mounting. Angle iron slide in mounting support or cross beam member support are required for permanent mounting. The sides of each supply are equipped with mounting holes for rack slide mounting.

The type of rack slide mountings are:

C300S18 (Chassis Trak Corporation) for:

TCR 600W 3 1/2" Power Supply

TCR 1000W 3 1/2" Power Supply

TCR 1800W 5 1/4" Power Supply

CSXX-XSM/220300 (Emcor Corporation) for:

TCR 2800W 7" Power Supply

For bench mounting, four mounting feet are provided which are adhesive mounted to the base surface of the supply.

NOTE: Do not operate the supply continuously with the covers removed since the air flow pattern within the chassis is adversely effected.

1  
2  
3  
4  
5  
6  
7  
8  
9  
10  
11  
12  
13  
14  
15  
16  
17  
18  
19  
20  
21  
22  
23  
24  
25  
26  
27  
28  
29  
30  
31  
32  
33  
34  
35  
36  
37  
38  
39  
40  
41  
42  
43  
44  
45  
46  
47  
48  
49  
50  
51  
52  
53  
54  
55  
56  
57  
58  
59  
60  
61  
62  
63  
64  
65  
66  
67  
68  
69  
70  
71  
72  
73  
74  
75  
76  
77  
78  
79  
80  
81  
82  
83  
84  
85  
86  
87  
88  
89  
90  
91  
92  
93  
94  
95  
96  
97  
98  
99  
100



### III OPERATING INSTRUCTIONS

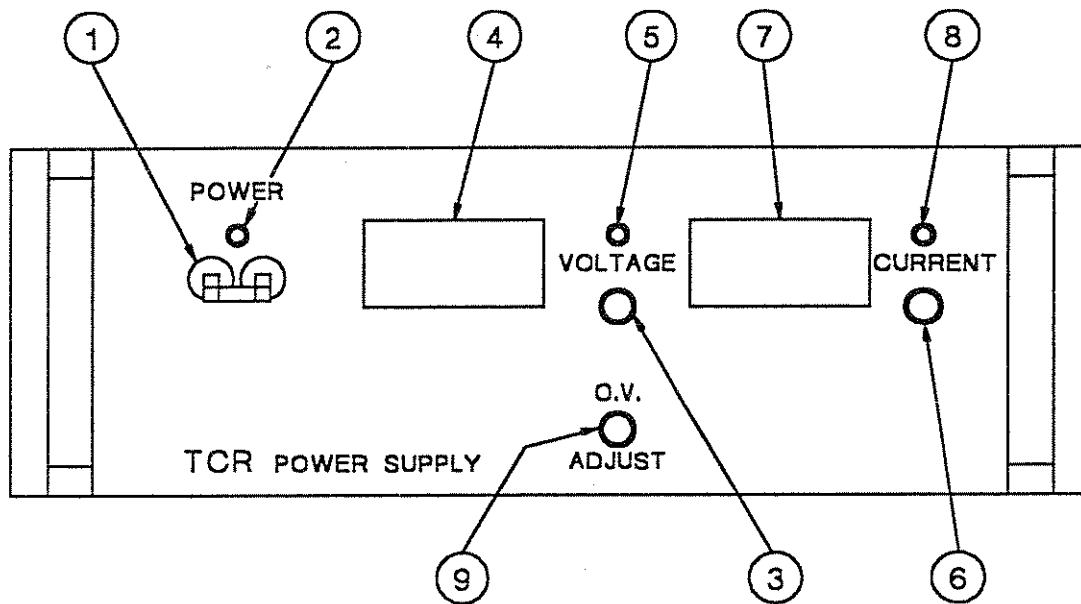


Figure 1: Front Panel Controls and Indicators

#### 3.1 TURN-ON CHECK OUT PROCEDURE

The front panel surface contains all the controls and indicators necessary to operate the supply in its normal mode. The following checkout procedure describes the use of the front panel control and indicators (Figure 1) and ensures that the supply is operational. This preliminary check of the power supply is done without a load connected.

- A. Check the barrier jumper straps on the back of the unit, as shown in Figure 2, for normal mode.
- B. Set all controls completely counter-clockwise.
- C. Connect AC power line to back of power supply. The connecting terminals are marked to ensure proper connections.
- D. Turn the CIRCUIT BREAKER (1) on/off switch to "on". The fans will start immediately but there is a 10 to 15 seconds delay before voltage or current output will occur. This is caused by the soft start circuit.
- E. The UNIT ON INDICATOR (2) should be lit.
- F. Advance CURRENT CONTROL (6) one-half turn and slowly advance VOLTAGE CONTROL (3). The DC VOLTMETER (4) will deflect from zero to maximum rating of the supply as this control is advanced completely clockwise. The VOLTAGE INDICATOR (5) will be lit.
- G. Return all controls completely counter-clockwise.

H. To check out constant current, first turn-off supply. Connect a shorting bar across the plus and minus output terminal at the back of the unit.

I. Turn the circuit breaker-on/off switch to "on". Advance the VOLTAGE CONTROL (3) one turn clockwise and slowly advance the CURRENT CONTROL (6). The DC AMMETER (7) will deflect smoothly from zero to the rated current of the supply as this control is advanced clockwise. The CURRENT INDICATOR (8) will be lit.

J. Return all controls completely counter-clockwise and turn unit off. Disconnect output shorting bar.

### 3.1.1 Over Voltage Output

If supply is equipped with an overvoltage crowbar, the front panel will contain OVERVOLTAGE ADJUSTMENT (9). This potentiometer may be adjusted through an access hole in the front panel.

NOTE: All overvoltage circuitry has been properly adjusted to their respective unit before leaving the factory.

For trip levels less than the maximum output voltage or to check the overvoltage circuitry simply, A. set the potentiometer fully clockwise, B. adjust the power supply output voltage to the desired trip level, C. slowly adjust the potentiometer counter-clockwise until overvoltage is tripped.

Once fired, the SCRs remains on until its anode voltage is removed (decreased below its "on" level) or until anode current falls below a minimum "holding" current. A power supply that has been thrown into "crowbar" must have its input power momentarily removed to extinguish the "on" SCRs. Turning the unit off and then on again will reset the OVP provided the output is not adjusted above the trip point. The overvoltage range is from 50% to 110% of the maximum output voltage of the unit.

If any of the above events does not occur, the supply is defective and must not be operated. Depending on circumstances either warranty service or troubleshooting as described elsewhere in this manual is required.

## 3.2 GENERAL OPERATION

The voltage and current controls (local and remote) set the boundary limits for the output voltage and current respectively. The relationship of load resistance to control settings determines whether the power supply is operating in constant voltage or constant current mode. Automatic crossover between modes occurs at the following load resistance value:

$$\text{Load Resistance (Ohms)} = \frac{\text{Voltage Control Setting (volts)}}{\text{Current Control Setting (Amps)}}$$

At higher load resistance, the power supply operates in the constant-voltage mode and at lower resistance in the constant-current mode.

### 3.3 MODES OF OPERATION

This power supply is designed so that its mode of operation is selected by making strapping connections between terminals on terminal strip TB101 which is bolted to the rear panel of the power supply. The terminal designations are silk screened on the rear panel of the power supply. (Refer to the following chart).

TB101 - PIN	PIN DESCRIPTION
1	+ Voltage (+V)
2	+ Voltage Remote (+V REM)
3	Voltage Programming Current (V PROG I)
4	Voltage Amplifier (V AMP IN)
5	Voltage Programming Resistive (V PROG R)
6	Voltage Programming Resistive Common (V PROG R COM)
7	- Voltage Remote (-V REM)
8	- Voltage (-V)
9	Current Programming Current (I PROG I)
10	Current Amplifier (I AMP IN)
11	Current Programming Resistive (I PROG R)
12	- Shunt (-I)
13	Inverted Amplifier (IN AMP IN)
14	+ Shunt (+I)

#### 3.3.1 Normal Operation

When shipped from the factory, each supply is configured for constant/voltage, constant/current, local programming, local sensing, single unit mode of operation. This normal mode of operation is usually used in most applications. All performance specifications unless otherwise stated are defined in this configuration. Ripple, programming speed, transient response and stability are optimized with the supply so configured.

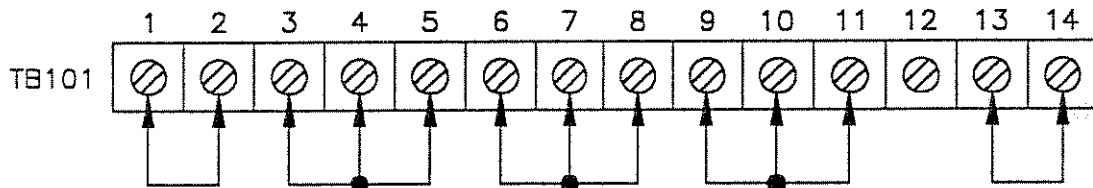


Figure 2: Normal Operation.

### Connecting Load:

Each load must be connected to the power supply output terminals using separate pairs of connecting wires. This will minimize mutual coupling effects between loads and will retain full advantage of the low output impedance of the power supply. Each pair of connecting wires must be as short as possible and twisted or shielded if strong AC or RF fields are present to reduce noise pickup. (If a shielded pair is used, connect one end of the shield to ground at the power supply and leave the other end disconnected.)

### 3.3.2 Remote Sensing (Figure 3)

In applications where the effect of the voltage drop ( $IR$ ) of the dc load wires would adversely affect the performance of the load it is possible to sense the voltage at the load instead of the output terminals of the power supply. Remote sensing will therefore remove the effect of changes in load current through the power distribution system. The maximum available load voltage then equals the rated power supply output voltage less the total of the  $IR$  drop. The max  $IR$  drop for each lead is 1.5V.

#### Connections for Remote Sensing

1. Remove jumpers between the following terminals:  
TB101-1 and 2  
TB101-7 and 8
2. Connect the positive point of load to TB101-2.
3. Connect the negative side of the load to TB101-7.
4. If the sense points are separated from each other by some distance, it is sometimes necessary to connect a capacitor across the load or between TB101-2 and TB101-7 within the range of .5uf to 50uf.

**Note:** Since the voltmeter is internally connected to the sensing terminals, it will automatically indicate the voltage at the load, not the power supply output terminal voltage.

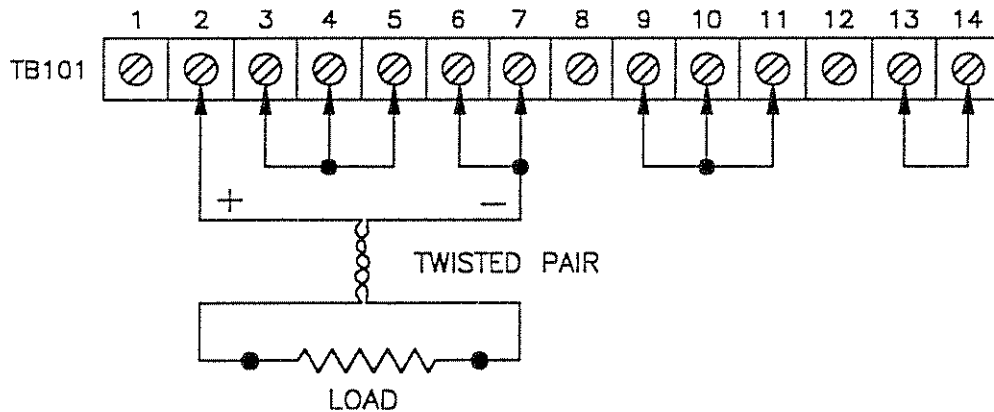


Figure 3: Remote Sensing

### 3.3.3 Remote Programming

This power supply may be operated in a remotely programmed mode (externally controlled) by the use of an external resistance. The wires connecting the programming terminals of the supply to the remote programming device should be twisted or if strong AC or RF fields are present, shielded.

**Caution:** If the remote programming function fails or is inadvertently adjusted so that the output voltage is programmed to levels of greater than 15% above ratings, damage to the output filter capacitors may occur. To protect against this, it is suggested that the overvoltage protection option be used to limit the maximum voltage excursion and safely shut the power supply down.

### 3.3.4 Remote Programming By External Resistance (Figure 4 & 5)

#### Voltage Channel:

A resistance of 0 to 5000Ω programs the output from zero to full rated voltage.

$$\text{Prog } (\Omega) = \frac{5000 \times \text{Desired Voltage}}{\text{Full Rated Output Voltage}}$$

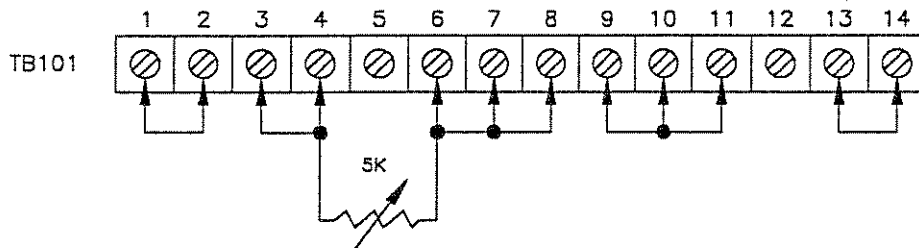


Figure 4: Remote Programming by External Resistance, Voltage Mode.

#### Current Channel:

A resistance of 0 to 100 OHMS programs the output from zero to full rated current.

$$\text{Prog } (\Omega) = \frac{100 \times \text{Desired Current}}{\text{Full Rated Current}}$$

1. Remove the jumper between terminals TB101-10 and 11.
2. Connect the programming resistance between terminals TB101-10 and 12.

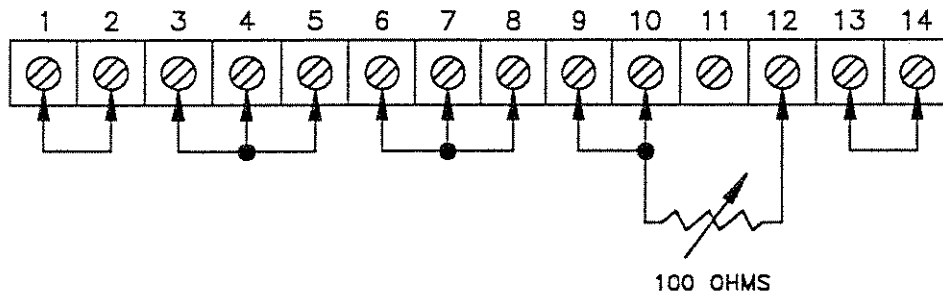


Figure 5: Remote Programming by External Resistance, Current Mode.

**CAUTION:** An opening in the remote programming circuit is effectively a high programming resistance and will cause an uncontrolled voltage or current rise to the maximum output of the power supply. This may cause possible damage to the power supply and/or the load. For this reason, any programming resistor switch must have shorting contacts. This type of shorting switch connects each successive position before disconnecting the preceding one.

### 3.3.5 Remote Programming By External Voltage (Figures 6 & 7)

The front panel voltage or current control is disabled in this operating mode.

#### Voltage Channel:

A voltage of 0 to 5V programs the output from zero to full rated voltage.

1. Remove the jumpers between terminals TB101-3,4 and 5.
2. Add a jumper between TB101-3 and TB101-7
3. Connect the programming voltage source between TB101-4 (pos) and TB101-6 (neg).

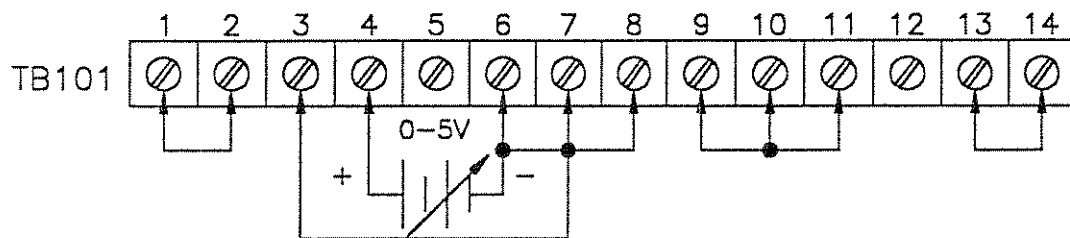


Figure 6: Remote Programming by External Voltage, Voltage Mode.

#### Current Channel:

A voltage of 0 to 100 Mv programs the output from zero to full rated current.

**Note:** A signal from a higher potential source may be attenuated to this 100mv level by a resistor divider. For best performance, the source impedance of this divider must not exceed 100 OHMS.

1. Remove the jumpers between terminals TB101-9,10 and 11.
2. Connect the programming voltage source between terminal TB101-10 (pos) and TB101-12 (neg).

**CAUTION:** When voltage programming of the voltage channel connect TB101-3 to TB101-7 and when voltage programming the current channel connect TB101-9 to TB101-12.

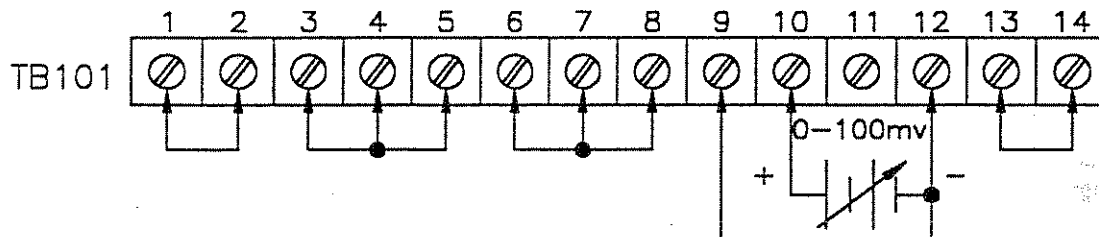


Figure 7, Remote Programming by External Voltage, Current Mode.

### 3.3.6 Remote Programming By External Current (Figures 8 & 9)

The front panel voltage or current control is not disabled in this programming mode. The front panel control must be left in the clockwise position to maintain the programming constant or signal to the output.

A current of 0-1Ma programs the output from zero voltage to full rated voltage or current.

#### Voltage Channel:

1. Remove the jumpers between terminals TB101-3 and 4.
2. Connect the programming current source between terminals TB101-4 (pos) and TB101-6 (neg).

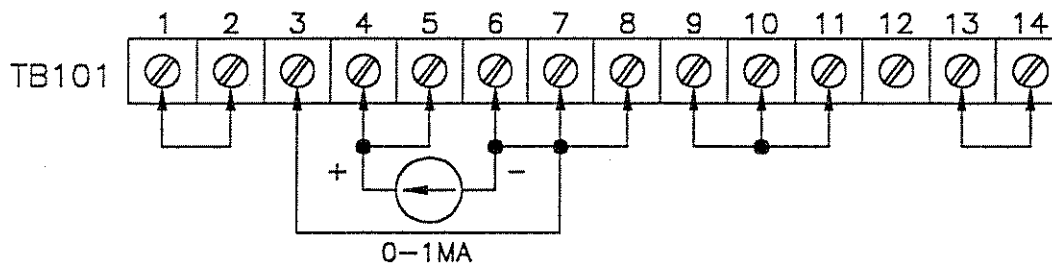


Figure 8: Remote Programming by External Current, Voltage Mode.

#### Current Channel:

1. Remove the jumper between terminals TB101-9 and 10.
2. Connect the programming current source between TB101-12 (neg) and TB101-10 & 11 (pos).

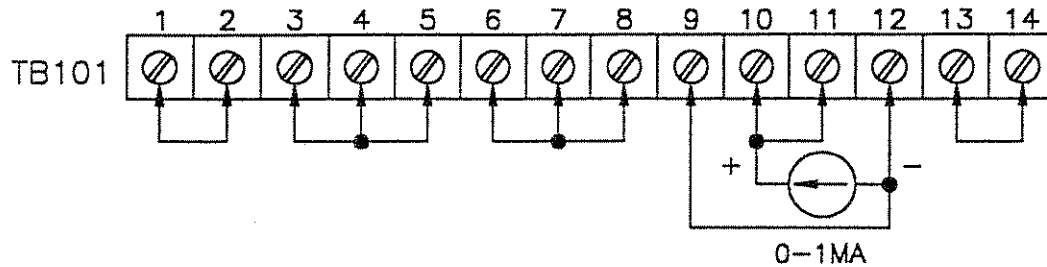


Figure 9: Remote Programming by External Current, Current Mode.

### 3.3.7 Parallel Operation (Figure 10)

**Note:** It is not recommended to operate more than three TCR power supplies in parallel without thorough evaluation by the user with counseling from the Engineering Department of Electronic Measurements Inc.. This will help avoid any failures in the application because of instability of the power supplies.

The simplest parallel connection is that of attaching the positive and negative terminals to their respective load points.

The procedure is as follows:

1. Turn on all units (open circuit) and adjust to appropriate output voltage.
2. Turn supplies off and connect all positive output terminals to the positive side of the load and all negative output terminals to the negative side of the load.

**Note:** Individual leads connecting unit to the load must be of equal lengths and oversized to provide as low an impedance as practical for the high peak currents.

3. Set the current controls clockwise.
4. Turn units on one at a time, until the sum of the power supply current capabilities exceed the load current drawn.
5. Using the voltage controls balance each unit voltage for equal output current. Balance the current of each unit for equality.
6. Set the current controls to limit just above running current so that if a units output voltage drifts upward, it will become current limited rather than carry an excessive share of load current.

**IMPORTANT:** When the units contain the overvoltage option do not connect them in parallel without consulting the Engineering Staff of Electronic Measurements. Irreparable damage will occur if one of the paralleled units goes into overvoltage without proper paralleling of the OVP option.



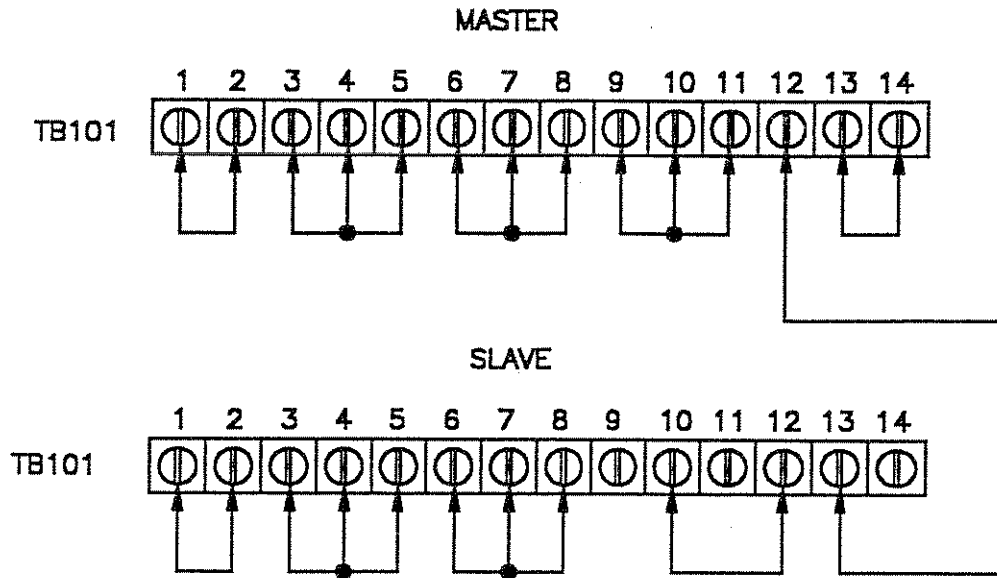


Figure 10: Parallel Operation Master/Slave.

### 3.3.8 Parallel Operation-Master /Slave

In this configuration, the power supply designated the master is used to control the voltage and current operation of all other supplies, referred to as slaves.

1. Disconnect the following jumpers of all slaves:  
     TB101-13 and 14  
     TB101-9,10 and 11.
2. Connect a jumper between TB101-10 and 12 of all slaves.
3. Connect a wire between the master supply TB101-12 and TB101-13 of each slave.
4. See Figure 11 for output to load connections.
5. Set the voltage control of all slaves to full clockwise position.
6. Turn each slave on and then the master.
7. Adjust the master for required output voltage or current. The output leads from each power supply must be of equal resistance to a point of load near the supply to assure equal sharing.

**IMPORTANT:** When the units contain the overvoltage option do not connect them in parallel without consulting the Engineering Staff of Electronic Measurements. Irreparable damage will occur if one of the paralleled units goes into overvoltage without proper paralleling of the OVP option.

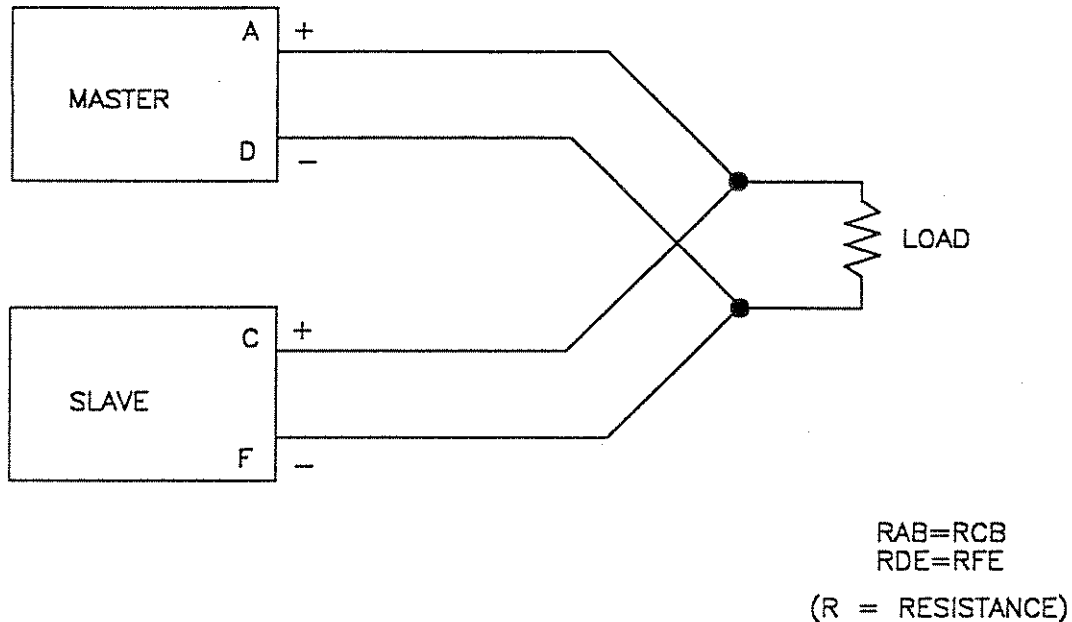


Figure 11: Parallel Connection - Master / Slave

### 3.3.9 Series Operation

Two TCR power supplies can be operated in series simply by connecting the negative output terminal of one unit to the positive output terminal of the other. The adjustment of each unit functions independently and the total output voltage is the sum of each unit output voltage.

**NOTE:** The voltage at any output terminal must never exceed 600V with respect to chassis ground. Consult Electronic Measurements, Inc. Engineering Department for series operation of more than two supplies.

### 3.3.10 Remote Meters

A remote voltmeter may be connected between terminals TB101-2 (pos) and TB101-7 (neg). If remote sensing is also being used, the remote voltmeter will indicate the voltage at the load. To indicate the voltage at the power supply output terminals connect the remote voltmeter between terminals TB101-1 (pos) and TB101-8 (neg).

A remote millivoltmeter, calibrated in amperes, may be connected between terminals TB101-12 (neg) and TB101-14 (pos). A voltage of 0 to 100mV across these terminals indicates output current from zero to full rating unless otherwise specified (see main schematic). To compensate for voltage drops in long remote ammeter leads a meter movement having a full-scale sensitivity of the less than 100mV is used in series with a calibrating resistor.

The leads to the remote meters should be twisted and if strong AC or RF fields are present, the leads should be shielded. One end of the shield should be grounded to chassis and the other end left floating.





## IV PRINCIPLES OF OPERATION

### 4.1 GENERAL

All the TCR single phase power supplies have SCR phase control which regulates the input ac voltage to the power transformer. This is accomplished by controlling the firing angle of the SCRs with a feedback loop sampling the output voltage and current. The voltage output of the power transformer is rectified and filtered to produce a stable DC power source which is user adjustable.

This section discusses the basic theory of the power and signal flow of the TCR single phase power supplies. If used as a supplement to the maintenance data provided in Section V, it will aid in isolation of unit faults. Refer to Figure 12, which is the block diagram of power and signal flow, and schematic #01-470-035 while reading this section.

### 4.2 POWER FLOW

A two phase half wave controlled SCR circuit is employed to regulate the AC input voltage to the primary of transformer T1. Two pulse transformers isolate the gate signal of the two SCRs so they are not triggered at the same time. The angular position of the partial sinusoidal wave produced by the "firing" of each SCR controls the energy available to the power transformer T1. The means of determining the position and width of the sinusoidal wave corresponds closely to the commutation of the SCRs and the proportional control system. (This means, as the sine wave is delayed, the energy available in the resultant wave form is reduced and when it is advanced (toward a full sine wave) maximum energy is available.)

Transformer T1 converts the line voltage to the appropriate value. Depending on the model, the output rectification is full-wave center tapped (CR1-CR2) or full-wave bridge (CR1-CR8). The raw DC from the rectifiers is fed to output filter L1, C1, C2, C8 and C9.

At load currents that allow L1 to remain "critical" (continuous current flow) the filter averages the voltage waveform at the input of the filter. At very low load currents, the inductance is somewhat ineffective and the capacitor peak charges to provide filtering. The phase delay of the input waveform must be greater than 90 degrees and capable of approaching 180 degrees at low output voltage and current.

R4 and C4 form a snubber network across the SCRs to prevent false triggering due to dv/dt effects. R10 and C7 minimize the effects of diode commutation by absorbing high frequency energy. Resistors R5A through D act as a preload to assure stability of the loop and to improve the transient response when a load is suddenly disconnected from the supply.

### 4.3 SIGNAL FLOW

Use (Figure 12) and schematic 01-470-035 as an aid in understanding the signal flow.

The bias transformer (T101) provides two voltages (50 and 20 volts AC) for operation of the control circuitry. The 50 volts from T101-4 and 6 with respect to the center tap pin 5, provide opposite polarities for line frequency referencing in SCR firing circuit.

Terminals 1 and 3 produce 20 volts RMS with respect to terminal 2. This voltage, after full wave rectification, produces plus and minus voltages on capacitors C106 and C107. The control circuitry of the supply uses the +15VDC bias level. Plus 15V load is about 150mA and minus 15V is 30mA. CR107 rectifies the 20V RMS, C106 and C107 are the filter capacitors for the plus and minus unregulated control voltage. U101 and U102 are 3 terminal regulators which output the regulated plus and minus 15 VDC.

Signals necessary for control over the SCR firing circuit are derived from amplified sampling of the output voltage and current compared to set reference point levels. These levels are from the adjustment controls which are proportional to a constant reference current multiplied by the value of the resistance of the adjustment control.

Identical constant current sources circuits are tied to the voltage and current channel controls which provided the constant current source for local programming. This current is adjustable to 1 mA by potentiometers R143 and R145. These current sources are referenced by the voltage across CR121, a 6.2 V temperature compensated Zener Diode.

The reference current level for the voltage channel flows from terminal 3 of TB101. With jumpers on terminals 3, 4 and 5 the voltage level produced when this current flows through R6 (the voltage adjustment potentiometer) is applied to pin 13 (a unity gain buffer amplifier) and then to pin 1 of IC101. The signal on the other amplifier input of IC101 pin 2 is derived from the output voltage level by the voltage division of R137 (& R138 and R139). Maximum voltage output of the supply produces 5 volts DC at pin 2 of IC101. Full clockwise rotation of R6 produces 5 volts DC at pin 1 of IC101. Through the action of the feedback loop, as resistor R6 (the voltage adjustment pot) is increased in .pa value, the voltage at pin 1 of IC101 increases. The error signal developed at the output of IC101, pin 3 causes a proportional change in output voltage which produces a voltage on pin 2 of IC101 equal to that applied to pin 1.

The action of the current channel is identical to the voltage channel with the exception that the controlled quantity is the current that flows through shunt R11. The voltage level that this current produces flowing through R11 is applied to one input of IC101, pin 5 while the current adjustment pot R7 develops the reference potential applied to pin 6 of IC101. The level of the signal applied to pins 5 and 6 of IC101 is 0 to 100Mv.

The outputs of the voltage channel comparator/amplifier IC101 and the current channel comparator/amplifier are "ored" together in diodes CR113 and CR114. Whichever channel output is positive over rides the effect of the other and represents that channel controlling the DC output. A positive going signal at the cathode of diodes CR113 and CR114 reduces the output of the supply by retarding or delaying the conduction of the primary SCRs.

The mode indicator lights are also driven from the outputs of IC101. Whichever output (pin 3 or 4) is negative illuminates the opposite light emitting diode indicator.

Transistor Q104 amplifies the level shifts and the control signals from CR113 and CR114. The normal operating voltage at the collector of Q104 is 6.5V and a swing of 5 to 7.5 volts will range the supply from no output to full output. The lower the collector voltage on Q104 the lower the output of the supply.

There are some other functions also accomplished in the Q104 stage. R117 and C113 form a "soft start" network which reduces the turn on surge and allows bias levels to build up before output current is permitted. R117, C113, Q105, CR122, CR123 resets the soft-start circuitry. The voltage signal developed across R118 is a source of feedback through C115, R120, C114 and R119 to stabilize the current and voltage channels respectively.

CR112 functions as a peak conduction angle limiter for the SCR's by limiting the maximum positive voltage on Q104. The SCR firing pulses are developed by properly timed conduction of Q101 and Q102. This is accomplished by the combination of the phase related AC signals from terminals 4, 5 and 6 and the variable DC level from Q104.

Thermostat TS1 is placed across C113, and when an over-temperature condition exists, the output voltage is inhibited by closure of the thermostat.

#### 4.4 SCR FIRING CIRCUIT

The SCR firing circuit is located between the input AC source and the power transformer T1. They act as voltage controllers to vary the alternating voltage applied to the load circuit for a chosen portion of each cycle of the source voltage. A closed-loop control system in which the angle of retard at which the SCRs conduct is varied in response to an error signal.

Examining the firing circuit for one SCR only, R108 and CR105 produces a 12V square wave at line frequency with axis crossings at 0 and 180 degrees. R106 and C104 integrate the square wave into rising and falling ramp voltages with transition in voltage direction occurring at 0 and 180 degrees due to the RC networks.

When a positive DC level from Q104 is superimposed on the ramp voltage across C104, the base of Q101 will be driven into conduction sometime during the positive travel of the ramp. The conduction causes a rapid flow of collector current in Q101 and a pulse of gate trigger current in SCR Q2.

Operation of the opposite driving circuit is identical except for 180 degree pulse displacement which fires Q1 when its anode is positive. C101 and C102 store the SCR gate pulse energy and C103 serves as an energy reservoir to prevent pulse loading of the +15V supply. Resistor R147 functions as a balance control to equalize SCR firing angles. Additional loop compensation is provided by R131 and C119 voltage channel, CR108 and R134 in current channel.

#### 4.5 METERING AND AUXILIARY FUNCTIONS

Voltage monitoring is achieved by connection of a self contained DC voltmeter to the sensing terminals of the supply. Output current is measured using a shunt related DC ammeter connected across the shunt R11. Calibration of this meter is made by adjustment of R8. The unit is cooled using fan B1 and is powered upon closure of the circuit breaker. On 3 1/2" units operated on 220VAC, a series resistor is inserted in series with the fan. The circuit breaker is equipped with an auxiliary trip coil that operates in conjunction with the optional over voltage protection module. It can also remotely shut the supply down whenever 5 amps of DC flows through terminals C1 and C2 of the breaker.



## V MAINTENANCE AND TROUBLE SHOOTING

### 5.1 GENERAL

**NOTE:** Maintenance and / or calibration procedures contained in this section will not void the unit warranty.

A regular scheduled preventive maintenance program is recommended for the TCR single phase power supply. As a minimum, maintenance should consist of a thorough cleaning of interior and a visual inspection of components on printed circuit boards. Even a relatively clean location requires at least one inspection every six months.

### 5.2 INSPECTION AND CLEANING

**CAUTION:** Always disconnect the power supply from AC line before removing cover.

1. Remove eight 6-32 machine screws from top cover.
2. Cover can now be removed.
3. Check for loose wires, burn marks, etc.
4. A100 Control Board unplugs so it may be checked.
5. Remove dust from in and round parts with small long bristled brush or compressed air.

#### 5.2.1 Equipment Required For Calibration And Maintenance

1. Oscilloscope - dual trace - 20KHz bandwidth - isolated from ground (Tektronix 2213 with 10x voltage probe).
2. RMS Multimeter - 100 volts DC- 1000 volts AC (Hewlett Packard HP-3465A)
3. VOM (Simpson 260)
4. Load - equal to the output capability of unit.

### 5.3 CALIBRATION

This procedure applies to the adjustment and calibration of a properly functioning unit only. Any malfunctions must be corrected before proceeding with calibration. It is only necessary to remove top cover to make these calibrations. (See 5.2)

#### 5.3.1 Voltage And Current Source Adjustments

The voltage calibration is done without a load connected.

1. Connect a voltmeter across TB101 pin 1 (positive) and TB101 pin 8 (negative).
2. Turn both voltage and current controls on front panel completely counter-clockwise.
3. Turn unit on.
4. Rotate R6 (voltage control) completely clockwise and R7 (current control) half a turn. Adjust R143 until the reference voltmeter indicates the full rated output voltage of the power supply, or just slightly above.

The front panel voltmeter reading should agree within 2%. To calibrate digital voltmeters adjust R111. Analog meters require no calibration. If the front panel does not zero adjust replace it.

5. Turn the power supply off and connect a reference ammeter (with an external shunt when applicable) in series with a load or short across the output terminals. Turn both voltage and current controls completely counter-clockwise.
6. Turn power supply on.
7. Calibrate the power supply ammeter by adjusting potentiometer R8 (R111 on digital meter).
8. Rotate R6 (voltage control) a full turn clockwise and turn the current control (R7) until the reference ammeter indicates the full rated output current. Adjust R145 to achieve this output.

### 5.3.2 Firing Balance

1. Connect a load to the power supply. (A variable load would be helpful in this test.)
2. Connect oscilloscope probe (x10) on TB101 pin 1 and ground on TB101 pin 8.
3. Turn unit on. Adjust R147 to achieve the lowest ripple output. If a variable load is not available make this adjustment at highest current and voltage rating of the unit.

## 5.4 TROUBLESHOOTING

The power supply is divided into two basic circuit areas, power flow and signal control. The power flow circuitry consists of circuit breaker, SCR's, power transformer, rectifiers, choke and capacitors as well as the cabling interconnecting them. The signal control circuitry is contained on the removable printed circuit card. Most unit malfunctions will originate on the circuit card. Reviewing the Theory of Operation is recommended before troubleshooting the power supply.

**WARNING:** When servicing supply, dangerous voltage levels exist. Be especially careful of person and equipment when measuring primary circuitry since this is at line potential.

#### 5.4.1 Overall Troubleshooting Procedure

1. Check for obvious trouble such as input power failure, loose or incorrect strapping on rear terminals or defective meter.
2. It is common for the trouble to be caused by the DC bias or reference voltages, thus it is a good practice to check voltages on the A100 control board before proceeding to the next step. The A100 board may be disconnected from SCRs by connecting a clip lead across CR112.

Some voltages to check are: \*

- \*T101 pins 4 (pos) and 5 (centertap) - 50VAC RMS
- 6 (pos) and 5 (centertap) - 50VAC RMS
- 1 (pos) and 2 (centertap) - 20VAC RMS
- 3 (pos) and 2 (centertap) - 20VAC RMS

All the following positive voltage measurements are made with the negative lead of the digital meter connected to the negative output.

- Cathode of CR108 = 20 volts DC
- Emitter of Q101 = 15 volts DC
- Cathode of CR105  
and CR106 = 12 volts AC
- IC101 outputs 3 & 4 = 10 volts DC

\*All voltages are approximations.

3. The supply should be disconnected from its load before proceeding.
4. Troubleshooting is more effective if the unit is operated in the normal mode (Normal Programming Section 3.3.1).
5. Before turning on the supply turn both current and voltage channel controls completely off (counter-clockwise).

#### 5.4.2 Troubleshooting Chart

START	PROBLEM
TURN SUPPLY ON	OUTPUT GOES HIGH - FULL SCALE OR ABOVE. IF UNIT CONTAINS OVP OPTIONS - CIRCUIT BREAKER TRIPS

1. TURN SET OFF.
2. DISCONNECT A100 BOARD FROM POWER SECTION BY DISCONNECTING THE 4 PIN PLUG (UVXW) AND 2 PIN PLUG (S-T).
3. TURN SET ON.

PROBLEM	REMEDY
SET STILL OUT OF CONTROL	Shorted SCR
SET NO LONGER OUT OF CONTROL	CHECK R6 - Could Be Open
	<ol style="list-style-type: none"> <li>1. Turn power supply off.</li> <li>2. Connect a clip lead between R113 and R112 and ground or negative side if C112.</li> <li>3. Reconnect U-V-X-W and S-T.</li> <li>4. Turn power supply on.</li> </ol>
	CHECK R6
	<ol style="list-style-type: none"> <li>1. Connect digital meter between TB101-5 (pos.) and TB101-6 (neg.).</li> <li>2. As R6 is rotated through its ranges, the voltage across it will vary from zero to 5V.</li> </ol>
	CHECK R7
	<ol style="list-style-type: none"> <li>1. Connect digital meter positive lead to TB101-9 and negative to TB101-12.</li> <li>2. As R7 is rotated through its range the voltage DC across it will vary from 0-50mV or 0-1000mV depending on the unit.</li> </ol>
	CHECK TRANSISTOR Q104 on the A100 C
UNIT ON BUT NO OUTPUT	CHECK AC SIGNAL INPUT VOLTAGE
	CHECK AC SIGNALS at T101 Pin 7 and 12 A100 Control Board
	CHECK OUTPUT of BIAS TRANSFORMER T101 Between Pins: 4 & 5 - 50VAC RMS 5 & 6 - 50 VAC RMS 1 & 2 - 20 VAC RMS 2 & 3 - 20 VAC RMS * All voltage are approximately and without a load on supply
	CHECK TRANSISTOR Q104 on the A100 Control Board - Could Be Shorted
	CHECK TRANSISTOR Q105 on the A100 Control Board - Could Be Shorted

Turn Voltage and Current Channels up slowly	CIRCUIT BREAKER SNAPS OFF
	One of the high power diodes located on the heatsink could be shorted. Refer to sheet 2 of 01-470-035.
EXCESSIVE RIPPLE	CHECK OUTPUT FILTERING CAPACITORS C1, 2, 8 or 9 - Could be defective
	One of the main SCR's (Q1 or Q2) - Could be open
	INDUCTOR COIL L1 - Could be shorted
	ISOLATION CIRCUIT for the SCR's - Could have faulty component.
	Check for a 60Hz square wave of 12V peak to peak across the anode of CR105 and CR106 and ground, T101-5.  Also check for a 3V peak to peak ramp voltage at junction of C104 and R104 and the junction of C105 and R105.
UNIT IS OSCILLATING	CHECK C114 and C119 - Could be defective
CURRENT OF VOLTAGE CHANNEL - DOES NOT REGULATE	CHECK IC101 and Q104 - Could be defective.

#### 5.4.3 Overvoltage Troubleshooting

Most overvoltage faults fall into two general categories:

1. The circuit overvoltage fires at all times even when the trip point is adjusted to maximum.

Check SCR's Q201 and Q202. They could be shorted. IC201 could be defective.

2. The overvoltage is completely inoperative at any trip point setting.

Check SCR's Q201 and Q202. They could be open. IC201 could be defective.

#### 5.4.4 Diode Replacement

1. Remove 8 6-32 screws from top cover of power supply.
2. Now the top cover may be lifted off.

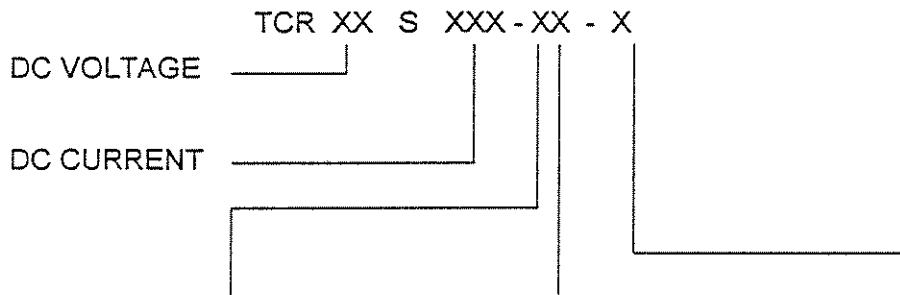
3. The diode heatsink is located behind the power transformer.
4. Remove the heatsink.
5. After removing diodes, wipe heatsink clean of all compound.
6. Put a fine coating of compound (low thermal contact resistance) on surface of diode that meets heatsink.
7. Mount diodes to heatsink.

If the diodes are stud mounted the following chart can be used.

DIODE THREAD SIZE	TORQUE PRESSURE
1/4 - 28 threaded device	30 inch pound - max torque
3/8 - 24 threaded device	120 inch pound - max torque
1/2 - 20 threaded device	130 inch pound - max torque
3/4 - 16 threaded device	30 foot pound - max torque

Note: Use new nut when a new diode is installed.

#### MODEL DICTIONARY CHART



AC INPUT VOLTS		PANEL METER		FEATURES	
1	115 VAC 50-60 Hz	omit	ANALOG AM/VM	OV	OVP ADD ON
2	220VAC 50-60Hz	D	DIGITAL AM/VM	LB	LOCKBUSHING
3	100VAC 50Hz			10T	10 TURN CURRENT CONTROL
4	220VAC 50Hz			TP	TEST POINTS
5	277VAC 50/60Hz			U	UNIVERSAL PANEL MOUNTING SLOTS
6					
7					
8					

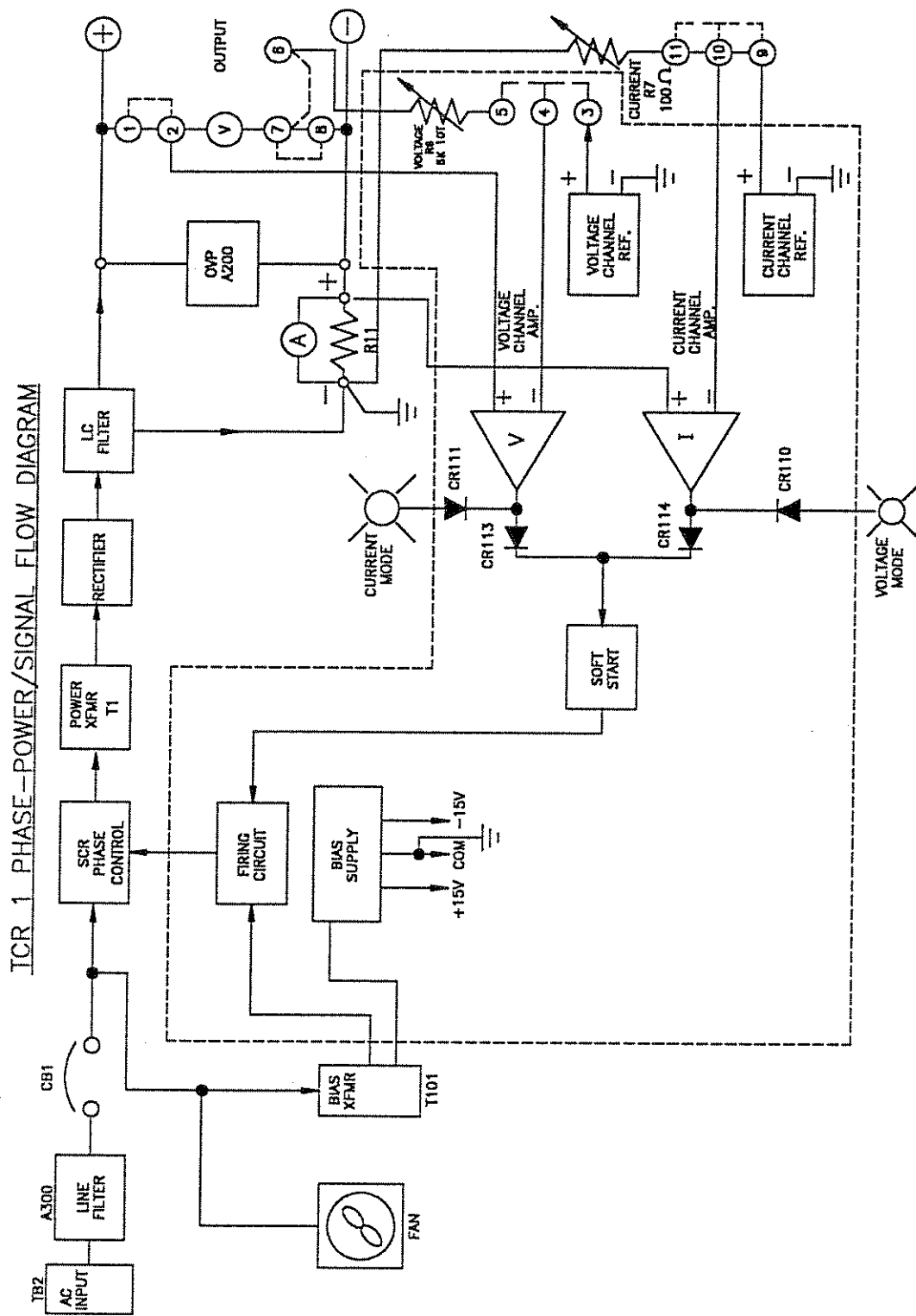


Figure 12

1  
2  
3  
4  
5  
6  
7  
8  
9  
10  
11  
12  
13  
14  
15  
16  
17  
18  
19  
20  
21  
22  
23  
24  
25  
26  
27  
28  
29  
30  
31  
32  
33  
34  
35  
36  
37  
38  
39  
40  
41  
42  
43  
44  
45  
46  
47  
48  
49  
50  
51  
52  
53  
54  
55  
56  
57  
58  
59  
60  
61  
62  
63  
64  
65  
66  
67  
68  
69  
70  
71  
72  
73  
74  
75  
76  
77  
78  
79  
80  
81  
82  
83  
84  
85  
86  
87  
88  
89  
90  
91  
92  
93  
94  
95  
96  
97  
98  
99  
100

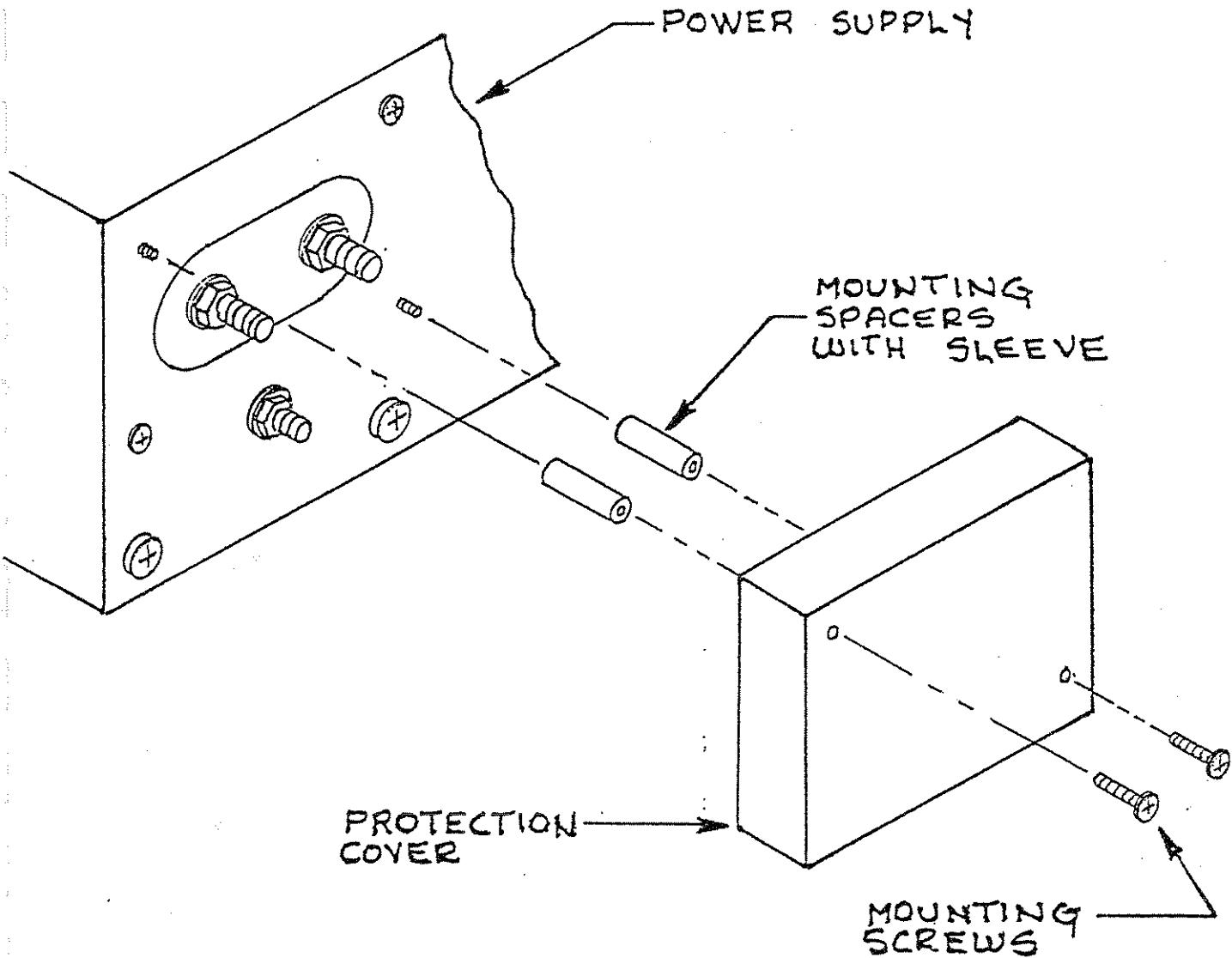




1 2 3 4 5 6 7 8 9 10 11 12 13 14 15 16 17 18 19 20 21 22 23 24 25 26 27 28 29 30 31 32 33 34 35 36 37 38 39 40 41 42 43 44 45 46 47 48 49 50 51 52 53 54 55 56 57 58 59 60 61 62 63 64 65 66 67 68 69 70 71 72 73 74 75 76 77 78 79 80 81 82 83 84 85 86 87 88 89 90 91 92 93 94 95 96 97 98 99 100

USED ON	NEXT ASSY.	QTY.	A	ECD 12919	10/21/93	WEM	7/4

Q. NO. 03-470-001  
 REV.



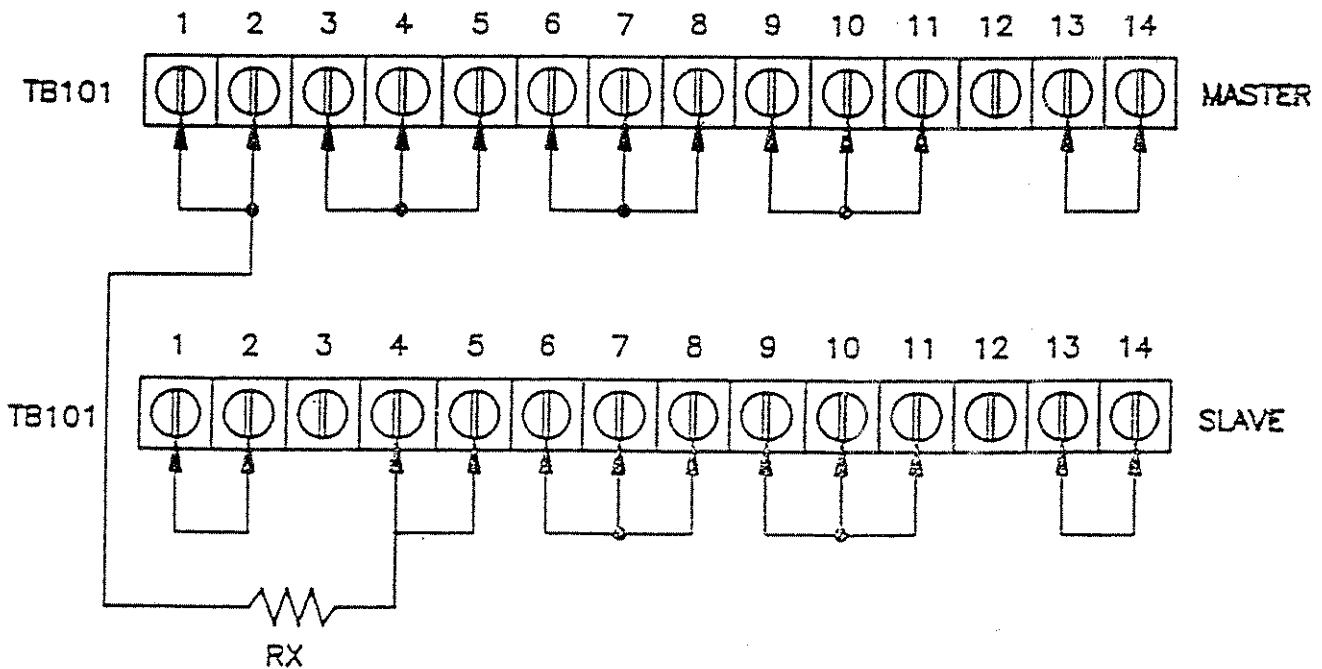
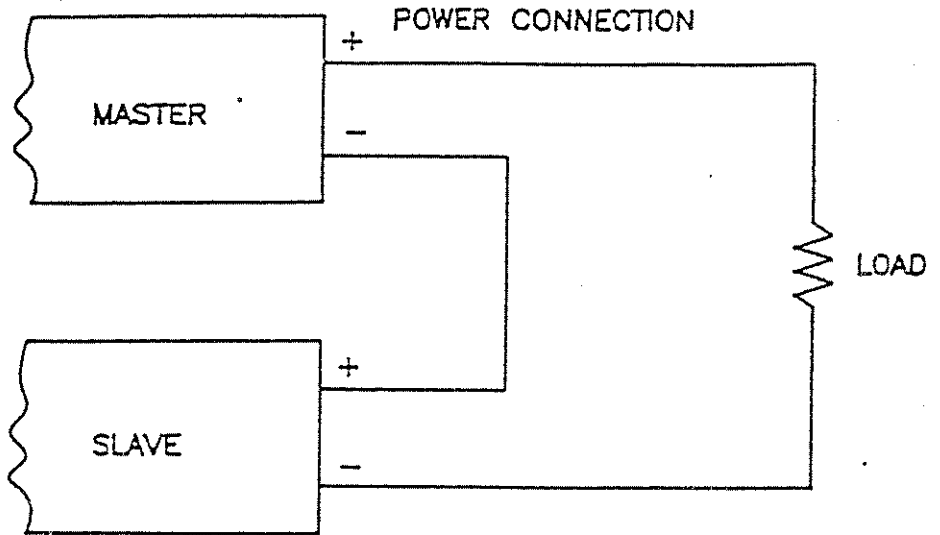
TOL: <i>W</i>	TOL: XX = ± .02" XXX = ± .005" ANGLES ± 1/2°	DWN: CA	DATE: 4-27-83		ELECTRONIC MEASUREMENTS INCORPORATED
		CHKY: (Signature)	DATE: 12/13/94		
FIN: <i>W</i>	P/L 470	ENG: (Signature)	DATE: 12/13/94	TITLE: FIELD INSTALLATION OUTPUT TERM. COVER	
	SCALE: <i>W</i>	APP: (Signature)	DATE: 4/27/83	DWG. NO. 03-470-001	REV. A

400-CO-000111-00

SHEET 1 OF 1

1  
2  
3  
4  
5  
6  
7  
8  
9  
10  
11  
12  
13  
14  
15  
16  
17  
18  
19  
20  
21  
22  
23  
24  
25  
26  
27  
28  
29  
30  
31  
32  
33  
34  
35  
36  
37  
38  
39  
40  
41  
42  
43  
44  
45  
46  
47  
48  
49  
50  
51  
52  
53  
54  
55  
56  
57  
58  
59  
60  
61  
62  
63  
64  
65  
66  
67  
68  
69  
70  
71  
72  
73  
74  
75  
76  
77  
78  
79  
80  
81  
82  
83  
84  
85  
86  
87  
88  
89  
90  
91  
92  
93  
94  
95  
96  
97  
98  
99  
100

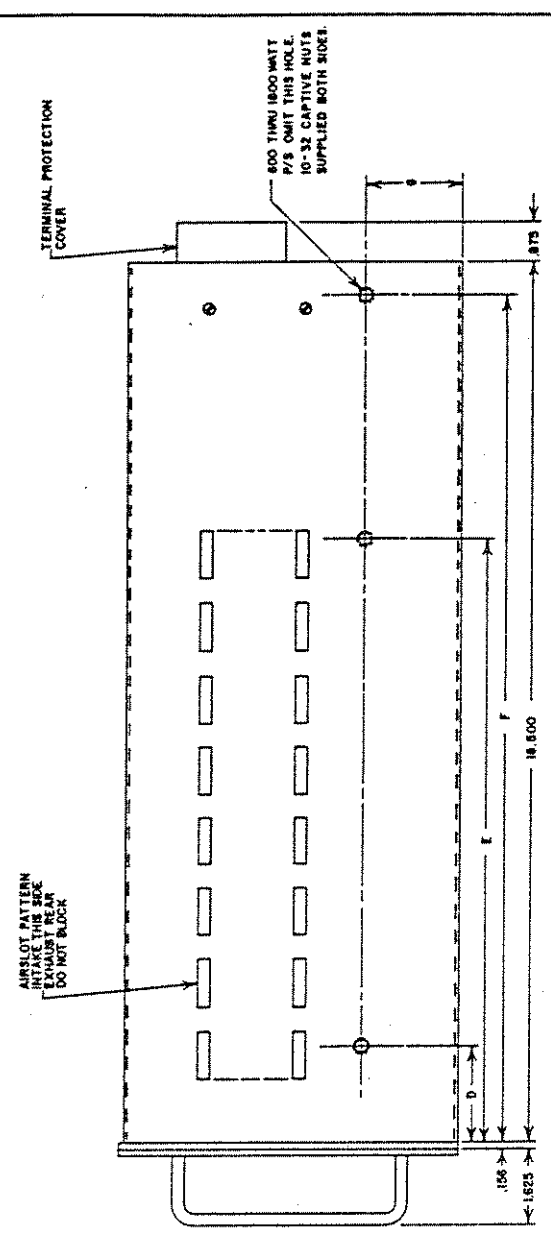
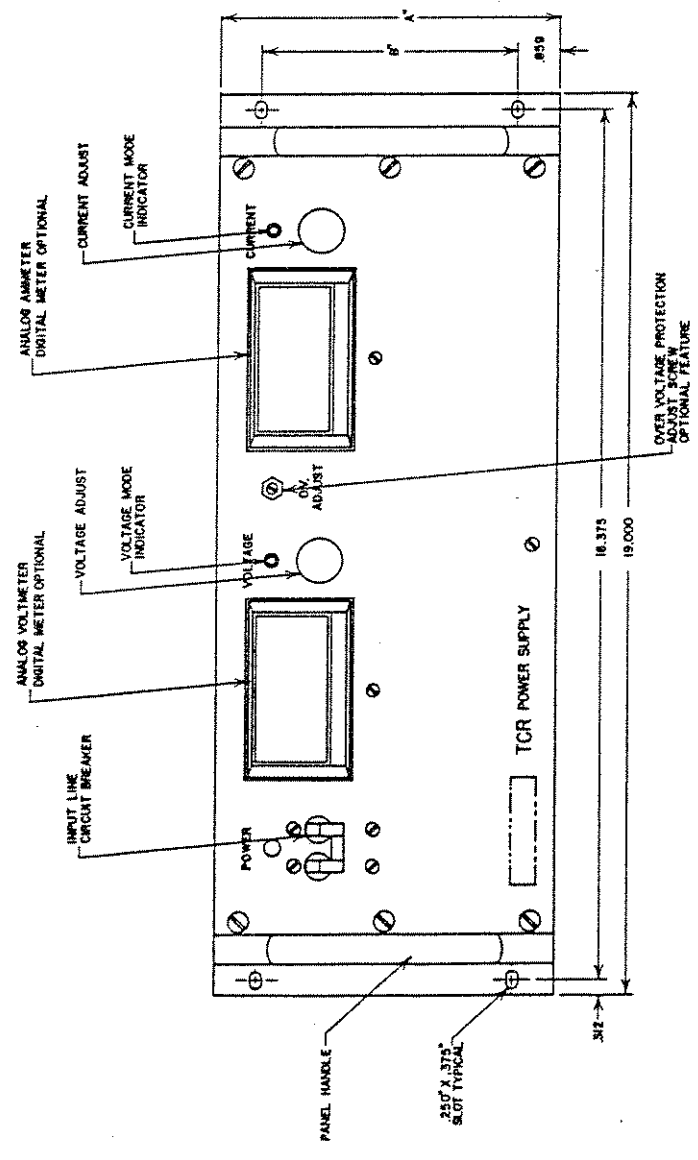
SERIES MASTER / SLAVE OPERATION  
OF  
EMI POWER SUPPLY



CONTROL TERMINAL CONNECTION.  
 TO DETERMINE  $R_X = [ (\text{SUM OF SUPPLY VOLTAGE OUTPUTS}) (1000 \text{ OHMS})$   
 SUBTRACT 5000 OHMS.  
 (SLAVE) VOLTAGE & CURRENT CONTROL FULL - CLOCKWISE

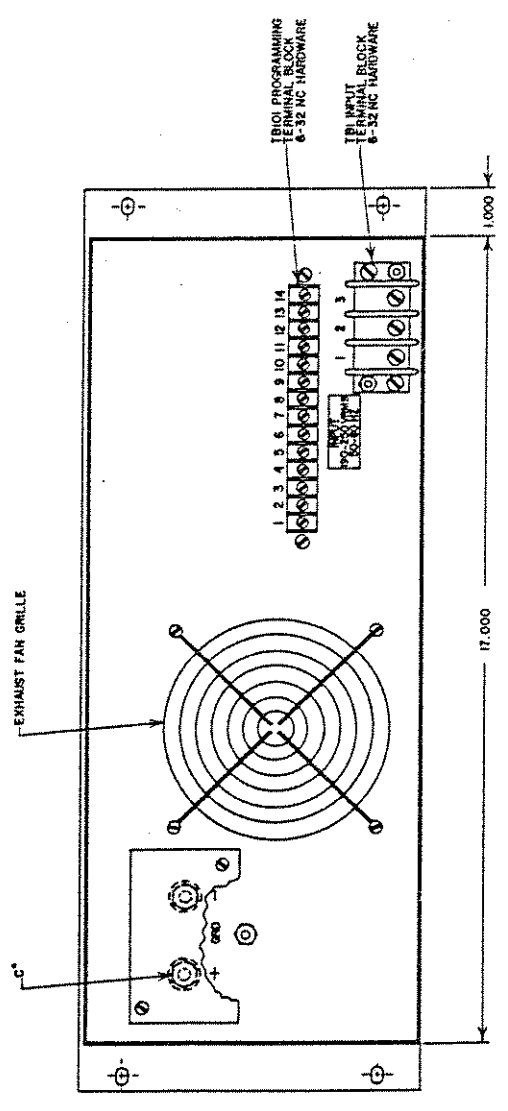
1  
2  
3  
4  
5  
6  
7  
8  
9  
10  
11  
12  
13  
14  
15  
16  
17  
18  
19  
20  
21  
22  
23  
24  
25  
26  
27  
28  
29  
30  
31  
32  
33  
34  
35  
36  
37  
38  
39  
40  
41  
42  
43  
44  
45  
46  
47  
48  
49  
50  
51  
52  
53  
54  
55  
56  
57  
58  
59  
60  
61  
62  
63  
64  
65  
66  
67  
68  
69  
70  
71  
72  
73  
74  
75  
76  
77  
78  
79  
80  
81  
82  
83  
84  
85  
86  
87  
88  
89  
90  
91  
92  
93  
94  
95  
96  
97  
98  
99  
100

APPLICATION	UR	ECO NO	BY
DESIGN	A	AND DATE	1/7/83
REV	B	DATE	1/12/83
REV	C	DATE	1/27/83



TBI	FUNCTION	POWER
1	AC INPUT	600-1000 W
2	PROGRAM	1600-2100 W
3	AC INPUT	
4	AC INPUT	
5	AC INPUT	
6	GROUND	

TBI	FUNCTION
1	+ VOLTAGE SENSE REMOTE
2	- VOLTAGE SENSE REMOTE
3	V PROGRAMMING I
4	V AMP IN
5	V PROGRAMMING R
6	V PROGRAMMING R COM
7	- VOLTAGE SENSE REMOTE
8	- VOLTAGE
9	I PROGRAMMING I
10	I AMP IN
11	I PROGRAMMING R
12	- SHUNT
13	INVERTER AMP IN
14	+ SHUNT



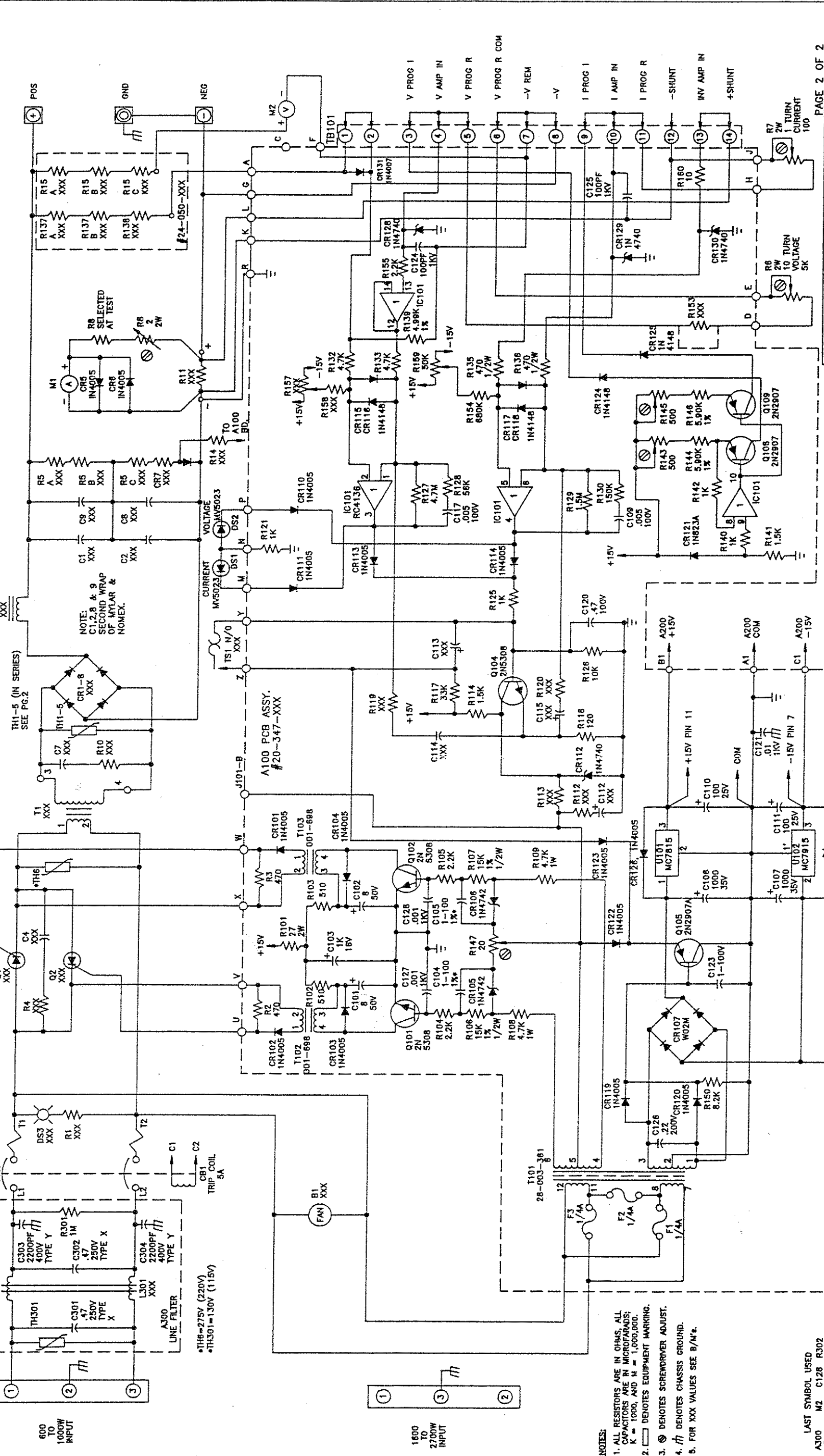
MODEL	PANEL DIMENSIONS			SLIDE MTB DIMENSIONS		
	A	B	C	D	E	F
TCR 600W 3.5" NOMINAL 1 TO 10 AMP	3.468"	1.750"	1/4-20	1.500	12.375	OMIT
TCR 900W 3.5" NOMINAL 1.6 TO 11.8 AMP	3.468"	1.750"	1/4-20	1.500	12.375	OMIT
TCR 1000W 5.25" NOMINAL 3 TO 100 AMP	3.218"	3.900"	5/8-16	1.500	12.375	OMIT
TCR 2000W 7" NOMINAL 4.5 TO 300 AMP	6.968"	5.250"	3/8-16	1.125	14.125	18.125

- STANDARD FEATURES:**
1. 0/1 RECOGNIZED INPUT CIRCUIT BREAKER.
  2. ANALOG VOLTMETER AND AMPMETER.
  3. VOLTAGE AND CURRENT ADJUST.
  4. VOLTAGE AND CURRENT MODE LAMP INDICATORS.
  5. INTERNAL AC LINE FILTER.
  6. SCR PHASE CONTROL.
- OPTIONAL FEATURES:**
1. OVER VOLTAGE PROTECTION WITH FRONT PANEL ADJ.
  2. DIGITAL VOLTMETER AND AMPMETER.
  3. CHOICE OF INPUT VOLTAGE:  
115V 60-60 HZ  
200-220V 50-40 HZ  
200V 50 HZ  
200V 60 HZ

DATE	1/27/83	BY	WJL
SCALE	1" = 1"	APP. NO.	02-410-001
REVISION		DATE	
REVISION		DATE	







**NOTES:**  
 1. ALL RESISTORS ARE IN OHMS, ALL CAPACITORS ARE IN MICROFARADS; K = 1000, AND M = 1,000,000.  
 2. □ DENOTES EQUIPMENT MARKING.  
 3. ⊙ DENOTES SCREWS/NER ADJUST.  
 4. ⊞ DENOTES CHASSIS GROUND.  
 5. FOR XXX VALUES SEE B/M'S.

**LAST SYMBOL USED**  
 A300 M2 C128 R302  
 B1 Q2 C304 TB101  
 C12 R14 CR130 T103  
 CB1 TB2 IC101 U102  
 DS3 T1 Q108  
 L1 R159

**SYMBOL =** 1-99 CHASSIS  
 100-199 A100 AMPLIFIER CIRCUIT BOARD  
 200-299 A200 OVP BOARD  
 300-399 A300 LINE FILTER

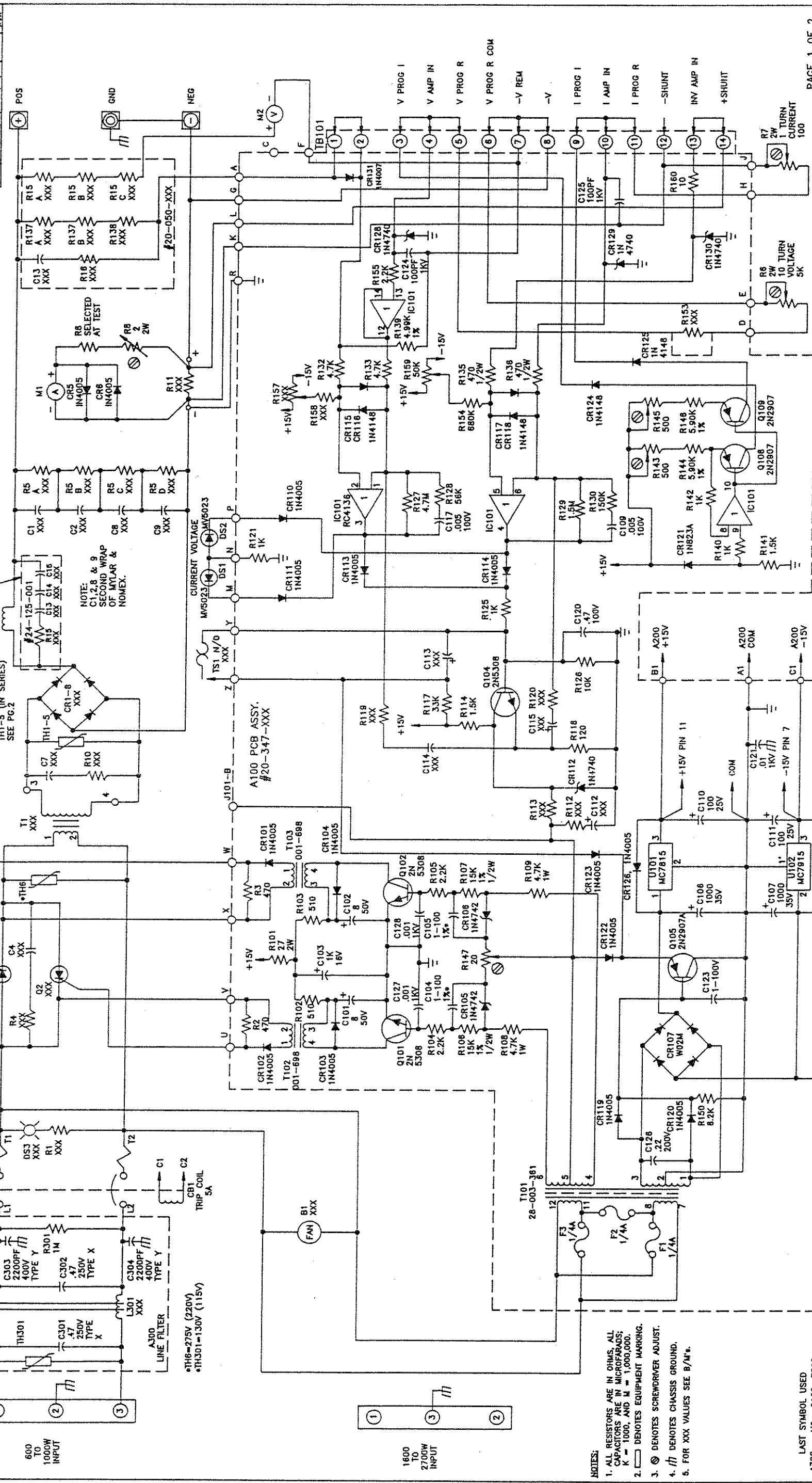
**DATE:** 3/14/84  
**REV:** 3/14/84  
**BY:** W/M  
**CHK:** W/M  
**APP:** W/M  
**DATE:** 3/15/84  
**REV:** 3/15/84  
**BY:** W/M  
**CHK:** W/M  
**APP:** W/M

ELECTRONICS  
 MEASUREMENTS, INC.  
 1000 N. 10TH ST.  
 MILWAUKEE, WIS. 53233  
 TEL: 414-224-3000  
 FAX: 414-224-3001

PAGE 2 OF 2  
 MAIN SCHEM. (600V)  
 TCR 19 P/S H.V.  
 NONE  
 470  
 01-470-007

8 3  
8 G  
7 V  
6 B  
5 G 100K  
4 V 10K  
3 O 1K  
2 R 100  
1 B 10  
0 B 1

LTR	E.O. NO.	BY	APP.	USED ON	APPLICATION	QTY.	REV.	E.O. NO.	BY	APP.
R	ECO#12801	9/23/93	JR	GFSS	REV. PER. ENG. 1/23/85	LC	W/W			
S	ECO#14979	10/30/95	JR	GFSS	ENGR. CHG. 4/2/85	LC	W/W			
T	ECO#15413	4/1/98	JR	GFSS	ENGR. CHG. 7/402 2/1/86	LC	W/W			
W	ECO#15659	9/26/96	REV	GFSS	ENGR. CHG. 10246 9/26/90	BM	W/W			
					ENGR. CHG. #10107 11/21/91 11/19/91	BM	W/W			



SYMBOL	DESCRIPTION
A300	1-99 CHASSIS
B1	100-199 A100 AMPERIFIER CIRCUIT BOARD
C15	200-299 A200 OVP BOARD
CR7	300-399 A300 LINE FILTER
DS3	
L1	

LAST SYMBOL USED  
 A300 M2 C128 R302  
 B1 O2 C304 TB101  
 C15 R15 CR130 T103  
 CR7 TB2 IC101 U102  
 DS3 L301 Q108  
 L1 R159

NOTES:  
 1. ALL RESISTORS ARE IN OHMS, ALL CAPACITORS ARE IN MICROFARADS, K = 1000, AND M = 1,000,000.  
 2. □ DENOTES EQUIPMENT MARKING.  
 3. Ⓢ DENOTES SCREWDRIIVER ADJUST.  
 4. // DENOTES CHASSIS GROUND.  
 5. FOR XXX VALUES SEE B/W'S.

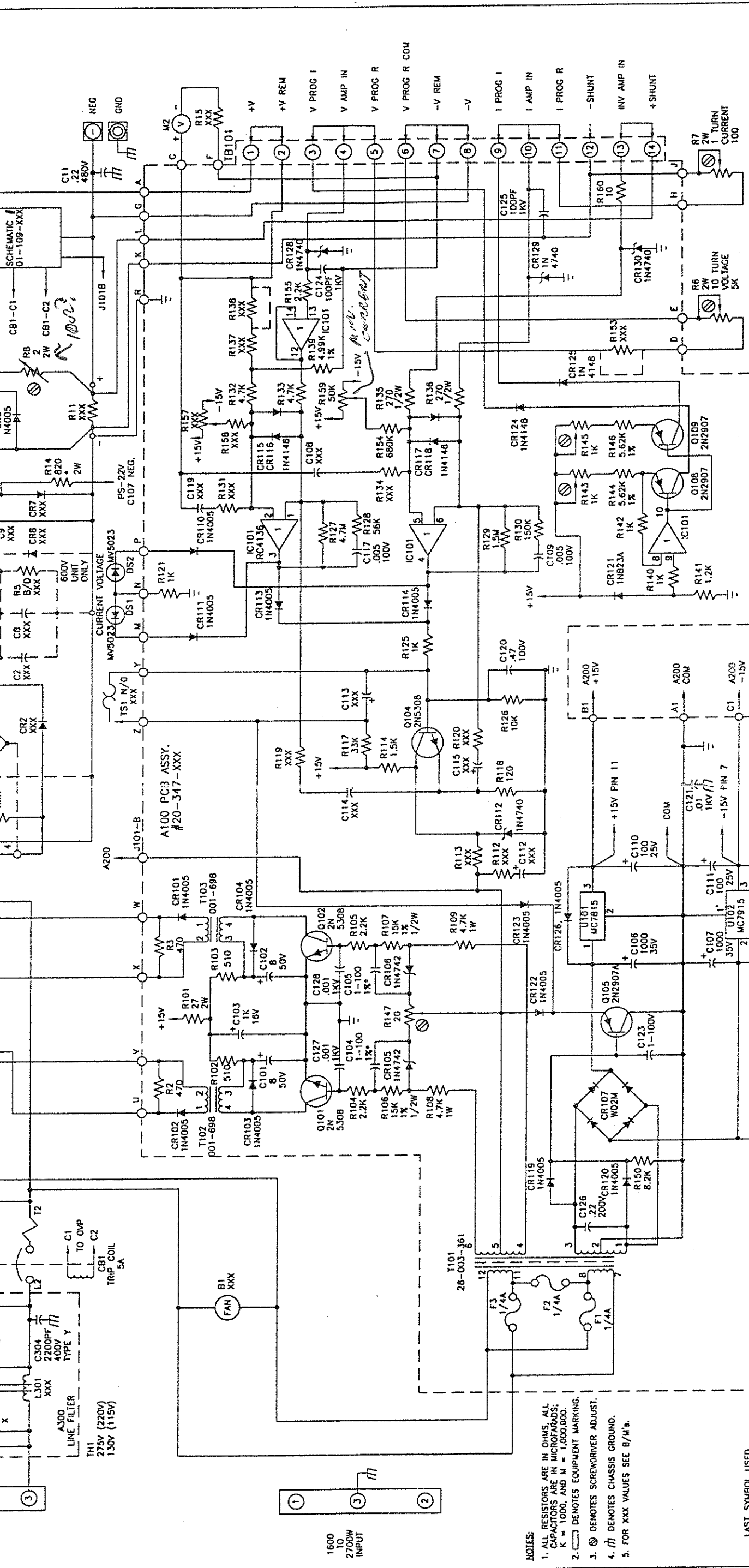






AB	#13946	10/28/94	JJR	JJA	S	#1617	12/28	2/19/93	DMP	H/W	L	ECO	10752	7/31/91	BM	H/W
AC	#14196	2/6/95	DMH	GF	T	#11394	5/1/92		DMP	H/W	M	ECO	10753	7/31/91	BM	H/W
AD	#14173	6/2/95	JJR	GF	U	ECO	#13357		DMP	H/W	N	ECO	10823	10/3/91	BM	H/W
AE	#14597	6/23/95	JJR	GF	V	ECO	#13398		DMP	H/W	O	ECO	10824	10/3/91	BM	H/W
AF	#14595	7/14/95	JJR	GF	W	ECO	#13472		DMP	H/W	P	#10984 & 10988	11/19/91	BM	H/W	

LTR	ECO NO.	BY	APP.	
AG	ECO#14979	10/30/95	JJR	GF



NOTE: SHEET 4 OF 4 FOR SPECIAL UNITS ONLY. NOTE PART OF MANUAL.

DATE: REV 6/8/89  
 DATE: REV 11/18/90  
 DATE: REV 11/18/90  
 DATE: REV 11/18/90

OWNER: ELECTRONIC MEASUREMENTS, INC.

TITLE: MAIN SCHEMATIC  
 P/N: 470  
 SCALE: NONE  
 SHEET NO: 01-470-035  
 AG

SYMBOL = 1-99 CHASSIS  
 100-199 A100 AMPLIFIER CIRCUIT BOARD  
 200-299 A200 OVP BOARD  
 300-399 A300 LINE FILTER

LAST SYMBOL USED  
 A300 M2 C128 R302  
 B1 O2 C304 TB101  
 C12 CR14 CR130 T103  
 CB1 TB2 IC101 U102  
 CR7 L301 Q108  
 DS3 R159

NOTES:  
 1. ALL RESISTORS ARE IN OHMS, ALL CAPACITORS ARE IN MICROFARADS, K = 1000, AND M = 1,000,000.  
 2. □ DENOTES EQUIPMENT MARKING.  
 3. ⊗ DENOTES SCREWDRIVER ADJUST.  
 4. ⊕ DENOTES CHASSIS GROUND.  
 5. FOR XXX VALUES SEE B/M'S.

LTR	ECO NO.	BY	APP.	LTR	ECO NO.	BY	APP.
AA	#13597	8/30/94	JJR	GF	R	#11394	5/1/92
				BY	APP.	LTR	ECO NO.
				REV	H/W	K	ECO
							10656
							6/4/91
							BM
							H/W





PARTS VARIATIONS	TCR 600W							TCR 1000W							TCR 1800W							TCR 2600W															
	7.5-70	10-50	20-30	40-15	60-10	80-8	150-4	300-2	600-1	7.5-115	10-90	20-50	40-25	60-18	80-13	150-7	300-3	600-16	7.5-200	10-165	20-90	40-45	60-30	80-23	150-12	300-6	600-3	7.5-300	10-240	20-135	40-70	60-45	80-34	150-18	300-9	600-4.5	
T1 115V 28-	001-263	001-524	001-326	001-327	001-328	001-331	001-333	001-337	001-339	001-633	001-634	001-635	001-636	001-640	001-644	001-646	001-647	001-649	001-603	001-605	001-607	001-608	001-611	001-613	001-615	001-618	001-620	X	X	X	X	X	X	X	X	X	X
T1 220V 28-	001-105	001-525	001-535	001-529	001-530	001-532	001-534	001-538	001-540	001-632	001-636	001-639	001-643	001-645	001-648	001-649	001-652	001-604	001-606	001-609	001-610	001-612	001-614	001-616	001-619	001-621	001-622	001-623	001-625	001-627	001-628	001-457	001-457	001-629	001-630	001-631	
T1 100V 28-		002-039		002-142			002-677		002-677	002-155	002-072	002-073	002-074					002-156	002-158			002-075	002-145				X	X	X	X	X	X	X	X	X	X	X
T1 200V 28-		002-040	002-535	002-143				002-144	002-536									002-148	002-146			002-147	002-137					001-625									

REV. 6-18-57  
 CHRGFS B3-C4  
 TITLE MAIN SCHEMATIC  
 DRAWING NO. 01-470-035  
 SHEET 3 OF 5

ELECTRONIC MEASUREMENTS, INC.  
 TCR 10



SPECIALS	TCR 600W			TCR 1000W			TCR 1800W			TCR 2600W			
	15-40	50-100	150-200	150-200	250-350	400-500	150-200	250-350	400-500	500-600	600-800	800-1000	1000-1500
A100 20-347	046	048	045	049	063	061	064	067	013	010	054	057	069
A200 20-062-	077	045	046	058	060	061	064	067	013	010	054	057	069
C1,2,8,9 FILTER	160K 25V	2X19K 480V	2X19K 480V	2X19K 480V	2X19K 480V	2X19K 480V	2X19K 480V	2X19K 480V	4X100K 25V	4X100K 25V	4X100K 25V	4X100K 25V	4X100K 25V
C4 115V	22	22	22	22	22	22	22	22	480V	480V	480V	480V	480V
C4 220V	.047	.047	.047	.047	.047	.047	.047	.047	480V	480V	480V	480V	480V
C7 DESPIKING	.47	.47	.47	.47	.47	.47	.47	.47	480V	480V	480V	480V	480V
C81 115V	2P	2P	2P	2P	2P	2P	2P	2P	480V	480V	480V	480V	480V
C81 220V	2P	2P	2P	2P	2P	2P	2P	2P	480V	480V	480V	480V	480V
CRI-8 MAIN RECTIFIER	3P	3P	3P	3P	3P	3P	3P	3P	3P-30A	3P-30A	3P-30A	3P-30A	3P-30A
CRT SHUTDOWN	2X	2X	2X	2X	2X	2X	2X	2X	4X	4X	4X	4X	4X
D53 POWER ON	IN	IN	IN	IN	IN	IN	IN	IN	IN	IN	IN	IN	IN
L1 MAIN CHOKER 28-	002-686	001-444	001-444	001-444	001-444	001-444	001-444	001-444	001-444	001-444	001-444	001-444	001-444
L801 LINE FILTER 28-	002-326	002-326	002-326	002-326	002-326	002-326	002-326	002-326	002-326	002-326	002-326	002-326	002-326
M1 AMMETER	0-50A	0-50A	0-50A	0-50A	0-50A	0-50A	0-50A	0-50A	0-50A	0-50A	0-50A	0-50A	0-50A
M2 VOLT METER	0-20V	0-20V	0-20V	0-20V	0-20V	0-20V	0-20V	0-20V	0-20V	0-20V	0-20V	0-20V	0-20V
M2 66-003-XXX	0-01	0-01	0-01	0-01	0-01	0-01	0-01	0-01	0-01	0-01	0-01	0-01	0-01
Q1-2 115V/220V	C35M	C35M	C35M	C35M	C35M	C35M	C35M	C35M	C35M	C35M	C35M	C35M	C35M
R1 LAMP LIMIT	18V	220V	220V	220V	220V	220V	220V	220V	220V	220V	220V	220V	220V
R4 115V	2X	2X	2X	2X	2X	2X	2X	2X	2X	2X	2X	2X	2X
R4 220V	2X	2X	2X	2X	2X	2X	2X	2X	2X	2X	2X	2X	2X
R5 BLEEDER	2X	2X	2X	2X	2X	2X	2X	2X	2X	2X	2X	2X	2X
R8A AM CAL RES	5	5	5	5	5	5	5	5	5	5	5	5	5
R9 FAN 220V	NOT USED	NOT USED	NOT USED	NOT USED	NOT USED	NOT USED	NOT USED	NOT USED	NOT USED	NOT USED	NOT USED	NOT USED	NOT USED
R10 DESPIKING	33	33	33	33	33	33	33	33	33	33	33	33	33
R11 SHUNT	2W	2W	2W	2W	2W	2W	2W	2W	2W	2W	2W	2W	2W
R15 VM CAL RES	100MV	100MV	100MV	100MV	100MV	100MV	100MV	100MV	100MV	100MV	100MV	100MV	100MV
C108	47	47	47	47	47	47	47	47	47	47	47	47	47
C112	100	100	100	100	100	100	100	100	100	100	100	100	100
C113	25	25	25	25	25	25	25	25	25	25	25	25	25
C114	10	10	10	10	10	10	10	10	10	10	10	10	10
C115	25	25	25	25	25	25	25	25	25	25	25	25	25
C119	47	47	47	47	47	47	47	47	47	47	47	47	47
R112	100	100	100	100	100	100	100	100	100	100	100	100	100
R113	560	560	560	560	560	560	560	560	560	560	560	560	560
R119	6.8K	6.8K	6.8K	6.8K	6.8K	6.8K	6.8K	6.8K	6.8K	6.8K	6.8K	6.8K	6.8K
R120	10K	10K	10K	10K	10K	10K	10K	10K	10K	10K	10K	10K	10K
R131	6.8K	6.8K	6.8K	6.8K	6.8K	6.8K	6.8K	6.8K	6.8K	6.8K	6.8K	6.8K	6.8K
R134	10K	10K	10K	10K	10K	10K	10K	10K	10K	10K	10K	10K	10K
R137	10K	10K	10K	10K	10K	10K	10K	10K	10K	10K	10K	10K	10K
R138	10K	10K	10K	10K	10K	10K	10K	10K	10K	10K	10K	10K	10K
R183	OMIT	OMIT	OMIT	OMIT	OMIT	OMIT	OMIT	OMIT	OMIT	OMIT	OMIT	OMIT	OMIT
T1 115V	28-	28-	28-	28-	28-	28-	28-	28-	28-	28-	28-	28-	28-
T1 220V	28-	28-	28-	28-	28-	28-	28-	28-	28-	28-	28-	28-	28-



SPECIALS	TCR 600 W.			TCR 1000 W.			TCR 1800 W.			TCR 2600 W.		
	600 3	250 10	10-270 0653	600 3	250 10	10-270 0653	600 3	250 10	10-270 0653	600 3	250 10	10-270 0653
A100 20-347												
A200 20-062-												
C1,2,B,9 FILTER												
C4 115V.												
C4 220V.												
CT DESPIKING												
CBI 115V.												
CBI 220V.												
CRI-B MAIN RECTIFIER												
CRT SHUTDOWN												
D53 POWER ON												
LI MAIN CHOKE 28-												
L301 LINE FILTER 28-												
AMMETER												
M1 66-002-XXX												
VOLTMETER												
M2 66-003-XXX												
Q1-2 115V./220V.												
R1 115V												
R1 220V												
R5 RESISTOR												
R8A AN CAL DRY												
R9 FAN 220V												
R10 DESPIKING												
R4 SHUNT												
R15 AN CAL DRY												
R108												
R112												
R113												
R119												
R120												
R131												
R134												
R137												
R138												
R153												
T1 115V. 28-												
T1 220V. 28-												

DATE: 5-10-88	DESIGN: 3-74	REV: 2/2/88	DATE: 5-10-88
PROJECT: 443810	TITLE: TCR 115 SPECIAL UNITS	SCALE: 1/1	DATE: 5-10-88
ELECTRONIC MEASUREMENT INC. 115V. SPECIAL UNITS DRAWING NO. 443810			

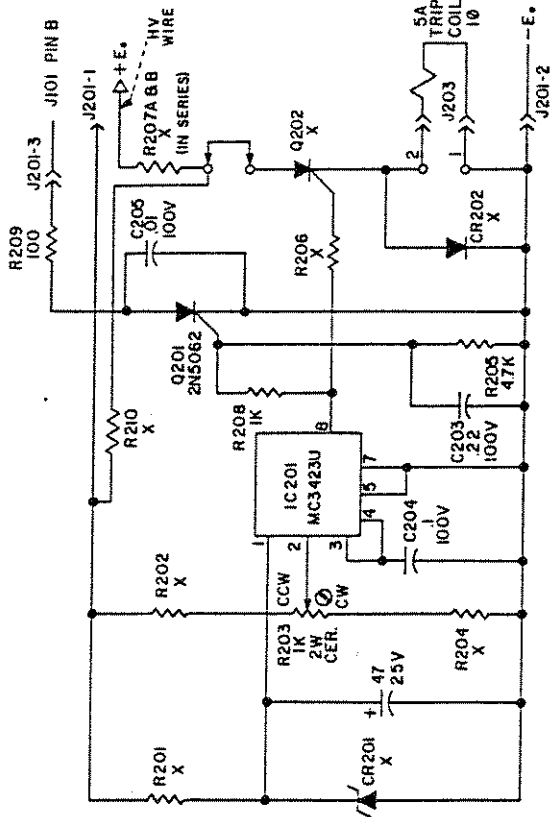








TCR 10 - OVER 600V - HIGH VOLTAGE OVP



- NOTES:
- START WITH A 600V OVP W/O R207
  - INSTALL 2 RESISTORS (XXX) IN SERIES FOR R207A & B.
  - WIRE ANODE OF Q202 TO TOP LUG OF R207A WITH SLEEVED RED WIRE.
  - ADD RESISTOR R210 (XXX) FROM TOP LUG OF R207A TO HOLE IN PC BOARD JUST BEHIND J201.
  - BEND CENTER LUGS OF R207A & R207B (LUGS CLOSEST TO PCB) AWAY FROM R203 AND J201 AT RIGHT ANGLE.
  - WITH SLEEVED RED WIRE CONNECT CENTER LUGS OF R207A & R207B TOGETHER (OVER EDGE OF PCB).
  - USING SLEEVED RED WIRE (LOOSE LEAD) CONNECT TOP LUG OF R207B TO OUTPUT TERMINAL - POSITIVE.

ECO NO	BY	APP
5	J. J. P.	C
SEE SHIT 1 OF 2		
APPLICATION	QTY	
USED ON		
NEXT ASSY		

DATE	5-21-84
REV	1
DESIGNED BY	J. J. P.
CHECKED BY	J. J. P.
DATE	5/21/84
BY	J. J. P.
APP	C
ECO NO	5
BY	J. J. P.
APP	C
ELECTRONIC MEASUREMENTS INCORPORATED	
TITLE: A200 SCHEM. DIA.	
OVP Ckt - MOD. ITC	
SCR-EMHP - TCR	
Dwg No. 01-109-000	
SHEET 2 OF 2	

1000V	2-30K-5W	2-91K-2W	C147P	680	JUMPER	2-15-25W	25K-5W	IN4740A	MR752
700V	2-30K-5W	2-91K-2W	C147P	2#8K(P1)	JUMPER	2-15-25W	2-40K-5W	IN4740A	MR752
VOLTAGE	R201	R202	Q202	R204	R206	R207A&B	R210	CR201	CR202

