

For Testing to these Specifications:

- DO 160 Section 19
- Boeing D6-16050-5 Section 7.2
- AIRBUS



T3700 TRANSFORMER SPECIFICATION SHEET

The AE Techron **T3700 Electric-Field Susceptibility Transformer** was designed to meet or exceed the voltage requirements of DO 160 Section 19 and Boeing D6-16050-5 Section 7.2 testing.

It may also be used as a 1-to-37 step-up transformer for voltages up to 3700V.

The T3700 transformer is able to generate up to a 3700V potential. It is withstand tested to 135% of rated output to ensure a long, trouble-free life. The turns ratio provides a 1-to-37 step up to the secondary winding.

The T3700 provides convenient input connectors via touch-proof, four-way binding posts. Standard 0.75-inch spacing of binding posts allows use of standard plugs.

A 1.5-amp fuse protects the unit against over-current conditions. A rugged, impact-resistant case and robust design protects the transformer from accidental damage.

The T3700's voltage output meets or exceeds the requirements of DO 160 Section 19 and Boeing D6-16050-5 Section 7.2. It is safe for use by experienced staff.

Specifications

Primary:

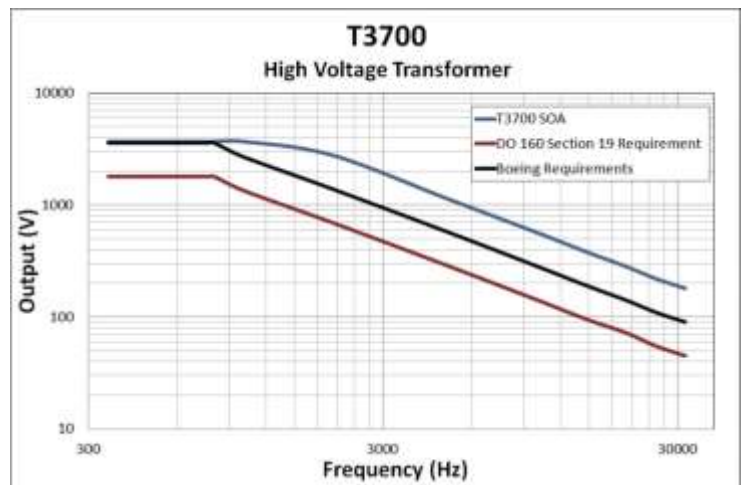
100 V_{RMS} maximum input

Secondary:

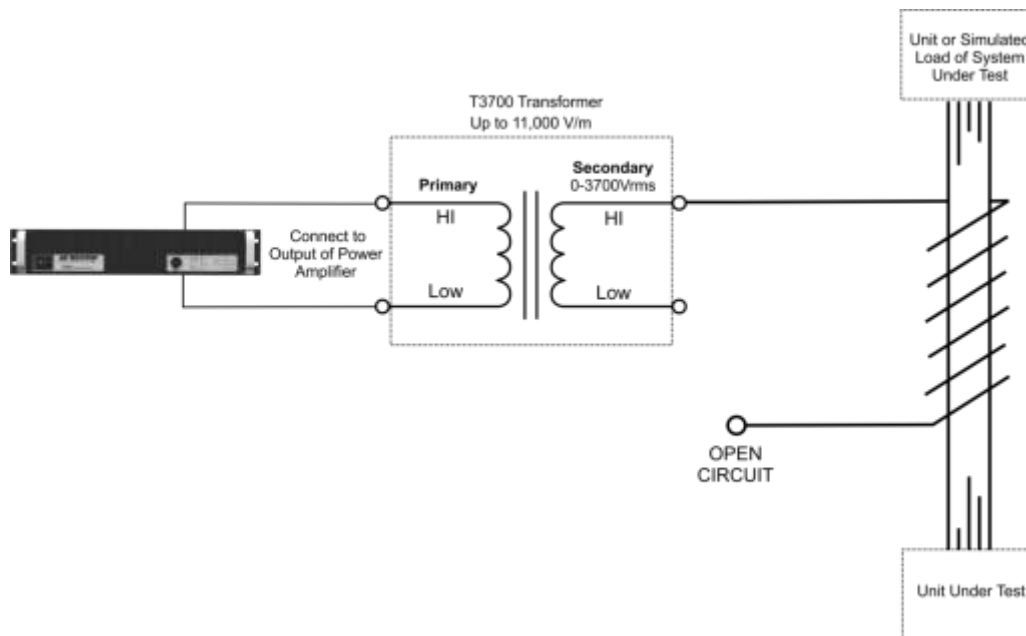
3700 V_{RMS} maximum output

Features

- Up to 3,700 volts, 11,000 V/m
- Meets or exceeds voltage requirements of DO 160 Section 19 and Boeing D6-16050-5 Section 7.2
- Robust design, withstand tested to 5,000 V_{RMS}
- Durable steel and high-density polyethylene case for impact resistance



T3700 Maximum SOA (safe operating area)



Sample Application – DO-160 Section 19 Test Setup

Turns Ratio:

1-to-37 step up

Dielectric Test:

5 kV primary to case
5 kV secondary to case

Protection:

Current-protected input

Controls and Connectors

Input Terminals:

4-way binding posts

Output Terminals:

LGH high-voltage connector (+)
Banana jack (-)

Over-Current Protection:

Primary input limited via fuse to 1.5A
(T1.5A H 250V)

Physical Characteristics

Case:

Steel interior shell with a durable external shell made from high-density polyethylene for impact resistance.

Recommended Ambient

Temperature:

25°C (77°F)

Cooling:

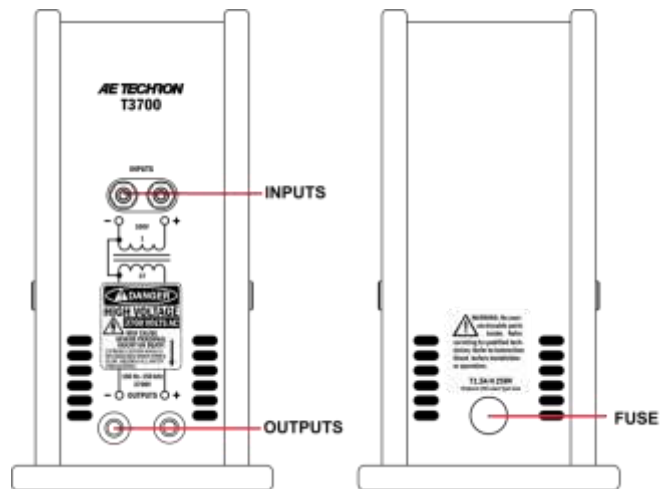
Natural air convection

Weight:

15 lbs. (6.8 kg)

Dimensions (WxDxH):

5.25 in. x 10.375 in. x 9.75 in. (13.3 cm x 26.4 cm x 24.8. cm)



T3700 Controls and Connectors

AE Techron Sales Representative