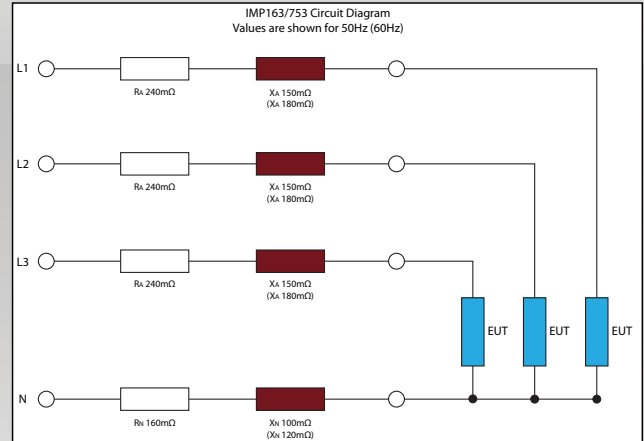


# IMP16x/32x/75x Compliant Impedance Networks

The N4L Impedance Networks offer IEC61000-3-3, and IEC61000-3-11 compliant Flicker measurements when combined with a PPA55x1 power analyzer and a compliant AC source. Available in both Single and 3 Phase variants, the IMP range from N4L can be configured to meet your specific needs.



IEC Version			
Type	IMP161/3	IMP323	IMP753
Current rating	16Arms	32Arms	75Arms
Impedances			
Phase Conductors (L1, L2, L3)	R: 240mΩ X: 150mΩ @ 50Hz X: 180mΩ @ 60Hz		
Neutral Conductor	R: 160mΩ X: 100mΩ @ 50Hz X: 120mΩ @ 60Hz		
Phase to Neutral Impedance	R: 400mΩ X: 250mΩ @ 50Hz X: 300mΩ @ 60Hz		
Cooling	Air Cooled		
Dimensions	W 450mm x D 500mm		
Height	4u	6u	8u
Maximum Voltage rating	250VAC Single Phase/430V Three Phase	250VAC Single Phase/430V Three Phase	250VAC Single Phase/430V Three Phase

JIS Version			
Type	IMP163-JIS	IMP323-JIS	IMP753-JIS
Current rating	16Arms	32Arms	75Arms
Impedances			
Phase Conductors (L1, L2, L3)	R: 190mΩ + L: 0.23mH		
Neutral Conductor	R: 210mΩ + L: 0.14mH		
Single Phase 2 Wire Connection	R: 400mΩ L: 0.37mH or R: 380mΩ L: 0.46mH		
Single Phase 3 Wire Connection	R: 190mΩ L: 0.23mH (x2), R: 210mΩ L: 0.14mH (x1)		
Cooling	Air Cooled		
Dimensions	W 450mm x D 500mm		
Height	4u	6u	8u
Maximum Voltage rating	250VAC Single Phase/430V Three Phase	250VAC Single Phase/430V Three Phase	250VAC Single Phase/430V Three Phase