

**TAMURA**

REV. Status

REVISION -  
09/19/91 HA

REV MARKING  
LOCATION  
6/16/92 TS

REVISION C  
ADDED  
SAFETY NOTE  
7/30/92 TS

REVISION D  
TEMECULA  
-WAS-  
CARSON  
1/13/93 TS

REVISION E  
ADDED DIM  
4.2±0.4  
(0.165±0.015)  
3/19/93 TS

REVISION F  
ADDED DIM  
0.64(0.025)  
SQUARE  
TYPICAL  
4 PLACES.  
DC RES (1-2)  
-WAS-  
95Ω ±10%.  
3/26/93 TS

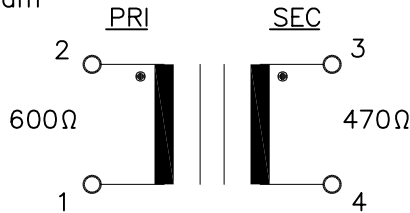
REVISION G  
REV LABEL  
ADDED TM105  
AND MICROTRAN  
06/26/96 TS

REVISION H  
ADDED STANDOFF  
DIM 0.5(.02)  
02/12/97 TS

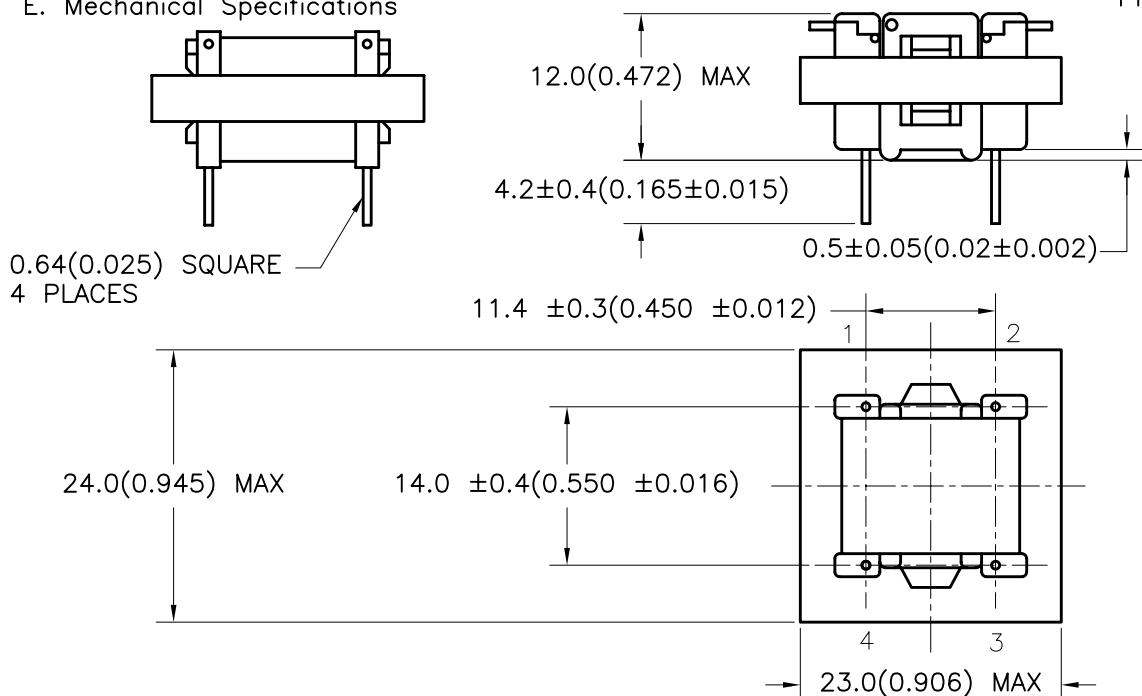
REVISION J  
ADDED RoHS.  
UL1459 WAS  
UL1863. NOTE  
10, 1200Vrms  
WAS 1250Vrms  
01/17/07 MP

TELECOMMUNICATION WET COUPLING TRANSFORMER DESIGNED TO OPERATE FROM -20dBm TO +4dBm WITH 0 TO 100 mADC IN PRIMARY AND REFLECT A PRIMARY SOURCE IMPEDANCE OF APPROX. 600Ω WITH 470Ω TO 600Ω LOAD ON SECONDARY:

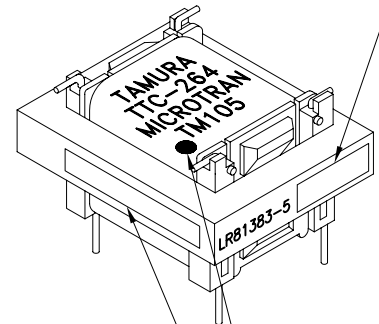
- A. Electrical Specifications (@ 25 ° C)
- Pri Source Impedance; 600Ω
  - Sec Load Impedance; 470Ω
  - Operating Level; -20 dBm to +4 dBm
  - Insertion Loss; 2.5 dBMAX @ 1KHz, 0dBm, DC 30mA
  - Frequency Response (relative to 1 KHz) ±4.0 dB 300 Hz to 600 Hz @ 0 dBm ±1.0 dB 600 Hz to 3.5 KHz @ 0 dBm
  - Longitudinal Balance; 60 dB MIN @ 60 Hz to 1 KHz 46 dB MIN @ 1 KHz to 4 KHz
  - DC Resistance; (1-2)= 108Ω +10%, -20% (3-4)= 120Ω ±10%
  - Turns Ratio; (1-2) : (4-3) = 1 : 1.00 ±2%
  - Dielectric Strength; 1500 Vrms 1 minute @ Pri to Sec, Pri to Core 1200 Vrms 1 minute @ Sec to Core
  - Total Harmonic Distortion: 0.5% MAX @ 300 Hz to 3.5 KHz, 0 dBm, DC0mA
- B. Marking; TTC-264, TAMURA, TM105, MICROTRAN, date code and country of origin
- C. Safety: CSA C22.2 No. 66-M1988 File No. LR81383 UL 1459 File No. E142035
- D. Schematic Diagram



E. Mechanical Specifications



SAFETY APPROVAL LOGOS



DATE CODE AND COUNTRY OF ORIGIN

DOT ON LABEL DESIGNATES PIN 1

MODEL NUMBER

TTC-264

PREPARED BY:  
K. BRENNAN

ENGINEER:  
M. PITCHAI

QUALITY CONTROL:  
T. CLEM

APPROVED:  
Y. SEKIGUCHI

DWG CONTROL NO. P-A1-10434  
ACAD\TTC\A1104341.DWG

REV J TELECOMMUNICATION COUPLING TRANSFORMER

CONTENTS OF THIS DRAWING ARE SUBJECT TO CHANGE WITHOUT PRIOR NOTICE

**TAMURA CORPORATION OF AMERICA**  
43352 BUSINESS PARK DRIVE, TEMECULA, CA. 92590-6624  
(951) 699-1270 FAX 9516769482

TTC-264

MODEL SPECIFICATION

DIM: mm(In) SCL: 1/1 SH: 1 OF 1

PROPRIETARY NOTICE: THIS DRAWING PRINT OR DOCUMENT AND SUBJECT MATTER DISCLOSED HEREIN ARE PROPRIETARY ITEMS TO WHICH TAMURA RETAINS THE EXCLUSIVE RIGHT OF DISSEMINATION, REPRODUCTION, MANUFACTURE AND SALE. THIS DRAWING, PRINT OR DOCUMENT IS SUBMITTED IN CONFIDENCE FOR CONSIDERATION BY THE RECIPIENT ALONE UNLESS PERMISSION FOR FURTHER DISCLOSURE IS EXPRESSLY GRANTED IN WRITING.