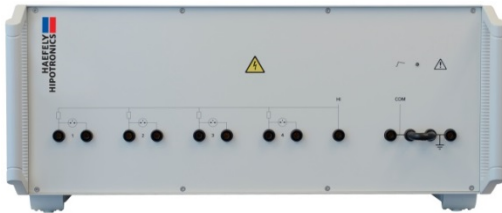


TW 8

Telecom Wave Impulse Module 10/700 μ s (for operation with AXOS⁸ only)

Outdoor telecommunications networks typically have cable lengths of 300 m and more. Sometimes communication lines may even have a total cable length of several kilometres. The corresponding test impulse given by the applicable standard shows the typical waveform 10/700 μ s – 5/320 μ s as this waveshape is the most representative of actual surges encountered in the field.

Coupling via arrestors is the preferred coupling method for unshielded outdoor symmetrical communication lines. The coupling network also has the task of splitting the surge current into multiple pairs in multi-conductor cables.



The TW 8 Telecom Wave Impulse Module is the extension of your AXOS⁸ Immunity Test System if Telecom Surge Immunity Tests according to IEC/EN 61000-4-5 Ed. 3.0 need to be performed.

When external TW 8 (Figure 9-3) module is connected it gets automatically indicated via the link cable (intelligent input). In the front view are three different coupling impedances (1 x 15 Ohm (HI-COM), 4 x 40 Ohm, 4 x 40 Ohm gas arresters) options. The user selects on the coupling unit (TW 8 module) which impedance is required for the particular application.

FEATURES

- 2 pairs of communication lines or 4 lines individually
- Automatically controlled by AXOS⁸
- Predefined according norm and individual setups available

BENEFITS

- Plug and play TW 8 with AXOS⁸
- Interconnect cables included

APPLICATIONS

- IEC/EN 61000-4-5 Ed.3.0: 10/700us combination wave
- ITU K.20, K.21, K. 44, K. 45

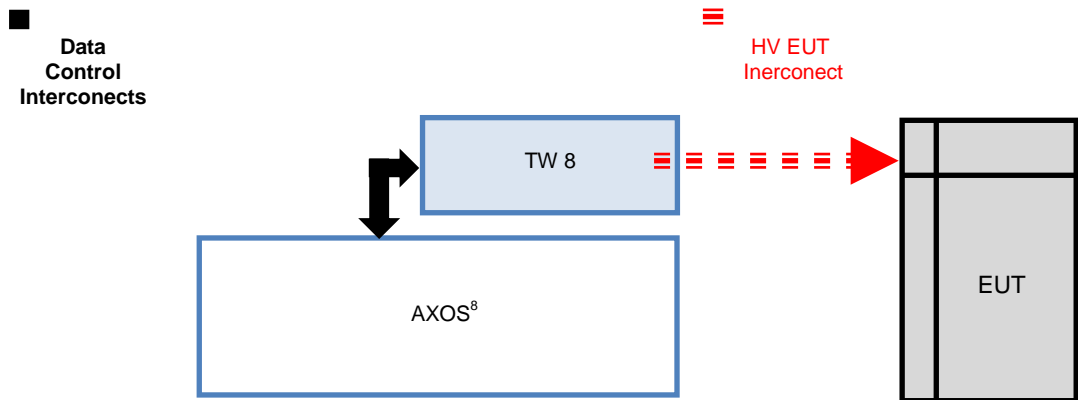
TECHNICAL SPECIFICATIONS

Output Voltage	0.2 – 7.0 kV \pm 10%	Source Impedance / coupling	15 Ohm x 1 40 Ohm x 4 40 Ohm gas arresters x 4
Front time OCV	10 μ s \pm 30%	Front time SCC	5 μ s \pm 20%
Decay time OCV	700 μ s \pm 20%	Decay time SCC	320 μ s \pm 20%
Polarity	Pos. / Neg. / Alternate	Outputs	4 mm banana sockets
Mains Power Supply	Powered by AXOS ⁸	Dimensions (WxHxD)	(45 x 18 x 49) cm
Rack size	19" / 4HU -- 7" (177.8 mm)	Weight	16 kg net weight (35.3 lbs)

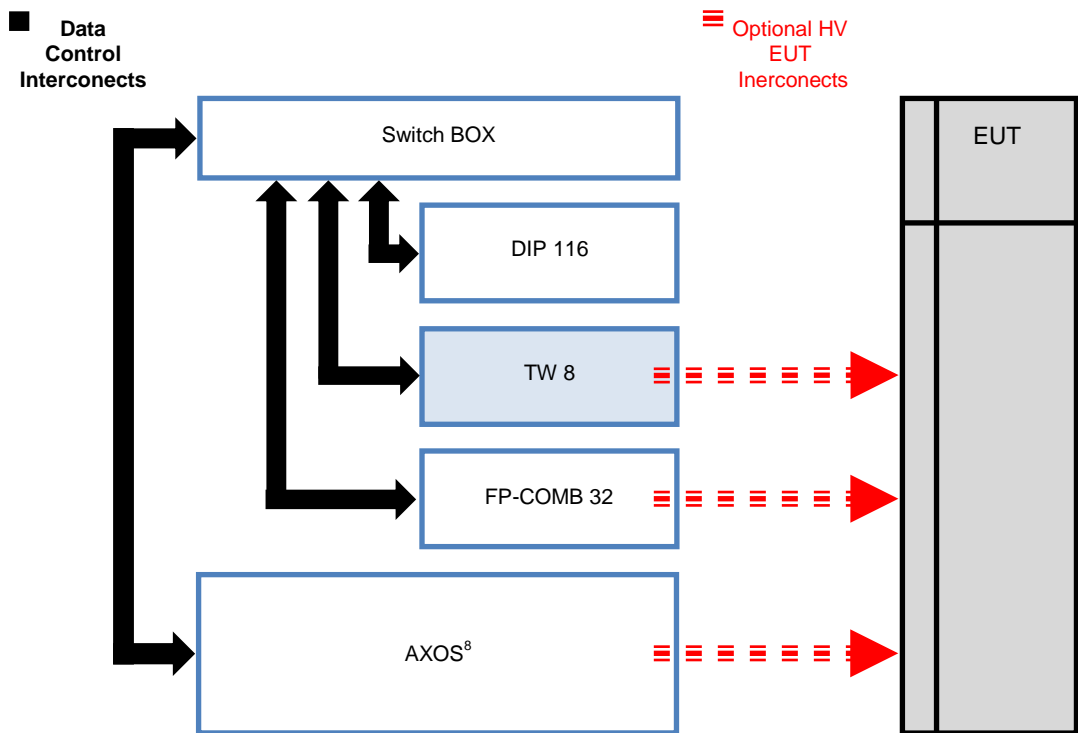
SCOPE OF SUPPLY – TW 8 ART. NO 2490851

Qty. 1 TW 8 module	Qty. 1 Bridge connector (short circuit)
Qty. 1 Calibration certificate	Qty. 1 4mm sec. accessories
Qty. 1 Cable SUB-D 37p 1 m	Qty. 1 Earth cable 1 m

Block Diagram – Interconnects of TW 8 device & AXOS[®]



Block Diagram – Interconnects of Haefely devices & AXOS[®] & Switch BOX



OFFICES:

Europe
Haefely Test AG
Birsstrasse 300
4052 Basel
Switzerland
☎ + 41 61 373 4111
☎ + 41 61 373 4912
✉ sales@haefely.com

China
Haefely Test AG Representative Beijing Office
8-1-602, Fortune Street
No. 67, Chaoyang Road, Chaoyang District
Beijing, China 100025
☎ + 86 10 8578 8099
☎ + 86 10 8578 9908
✉ sales@haefely.com.cn

North America
Hipotronics, Inc.
1650 Route 22 N
Brewster, NY 10509
United States
☎ + 1 845 279 3644
☎ + 1 845 279 2467
✉ sales@hipotronics.com