



## 2-18 GHz

## High Power Directional Couplers

- High Performance Design
- 400 Watt Average, 3 to 5 kW Peak Rating
- Low Loss, Air Dielectric
- Operation to 85°C without Degradation
- TNC or Type N Connectors

### Applications

- Measurement of High Power RF Signals
- Reliable Monitoring of TWT High Power Amplifiers
- Testing of EW Systems with High RF Power Outputs

### Specifications

Type N, TNC and SMA, 2 to 18 GHz, 400 W

FREQUENCY RANGE (GHz)	MODEL	NOMINAL COUPLING (dB)	MAXIMUM DEVIATION FROM NOMINAL (dB)	CONNECTORS			DIRECTIVITY (dB min.)			INSERTION LOSS (dB max.)	VSWR		FREQUENCY SENSITIVITY (dB max.)	POWER		WEIGHT (max.)	
				MAINLINE INPUT	MAINLINE OUTPUT	COUPLED OUTPUT	2-8 GHz	6-15 GHz	15-18 GHz		PRIMARY LINE (max.)	SECONDARY LINE (max.)		AVERAGE (W)	PEAK (kW)	oz.	gr.
2-18	27000-30	30	±1.4	Type N (M)	Type N (F)	Type N (F)	12	12	10	0.5	1.4	1.6	±1.0	400	3	15	425
	27000-40	40															
	27000-50	50															
2-18	27003-30	30	±1.4	TNC (M)	TNC (F)	SMA (F)	12	12	10	0.5	1.4	1.6	±1.0	400	3	15	425
	27003-40	40															
	27003-50	50															
6-18	27001A-30	30	±1.0	Type N (M)	Type N (F)	Type N (F)	—	12	10	0.5	1.4	1.6	±0.7	400	3	15	425
	27001A-40	40															
	27001A-50	50															
6-18	27004A-30	30	±1.0	TNC (M)	TNC (F)	SMA (F)	—	12	10	0.5	1.4	1.6	±0.7	400	5	15	425
	27004A-40	40															
	27004A-50	50															
2-8	27002-30	30	±1.0	Type N (M)	Type N (F)	Type N (F)	16	—	—	0.25	1.3	1.4	±0.5	400	5	15	425
	27002-40	40															
	27002-50	50															
2-8	27005-30	30	±1.0	TNC (M)	TNC (F)	SMA (F)	16	—	—	0.25	1.3	1.4	±0.5	400	5	15	425
	27005-40	40															
	27005-50	50															

#### NOTES:

All units are available on a Custom-Order basis. Minimum quantities may apply. See page 89 for 1 kW CW SC connector model.

## Couplers

www.nardamiteq.com

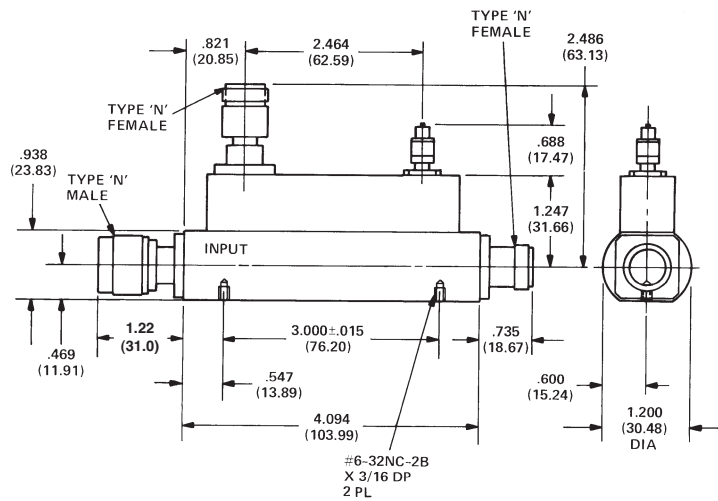
E-MAIL: componentsnm@nardamiteq.com TEL: +1 631 231-1700

narda  MITEQ

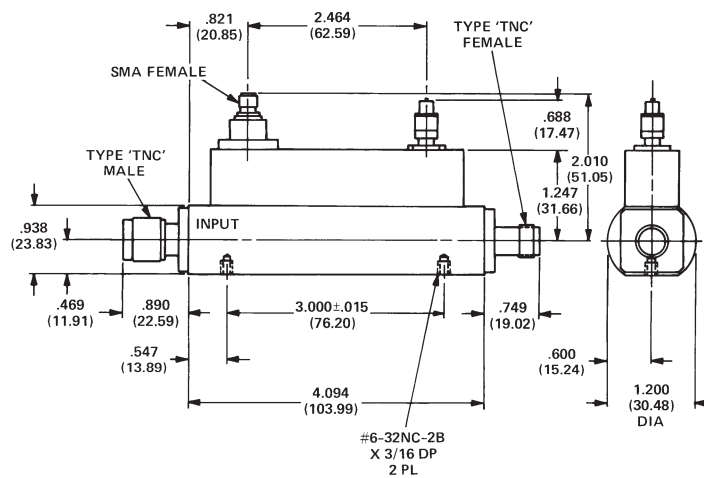
87



## Outline Drawings



MODELS 27000, 27001A, 27002



MODELS 27003, 27004A, 27005

Dimensions in inches (mm in parentheses), unless otherwise specified.

# Couplers



88

**narda**  **MITEQ**

[www.nardamiteq.com](http://www.nardamiteq.com)

**E-MAIL:** [componentsnm@nardamiteq.com](mailto:componentsnm@nardamiteq.com)

**TEL:** +1 631 231-1700